



Catalog | January 2014

Mounted Bearings Metric

DODGE[®]

Power and productivity
for a better world™



Ultra Kleen mounted ball bearings

Contents

Ultra Kleen polymer and stainless steel housed mounted bearings

1-3 Features/Benefits

1-6 How to order/Nomenclature

1-7 Easy selection

Dimensions

1-15 Pillow blocks

1-17 Tapped base pillow blocks

1-19 2-bolt flange bearings

1-22 3-bolt flange bearings

1-23 Flanged bracketed bearings

1-26 4-bolt flange bearings

1-28 Wide slot take-up bearings

1-32 Narrow slot take-up bearings

1-34 Inserts

1-35 Accessories

INDEX-1 Part number index

INDEX-69 Key word index

Ultra Kleen mounted ball bearings

Ultra Kleen mounted ball bearings

Features/Benefits

Ultra Kleen

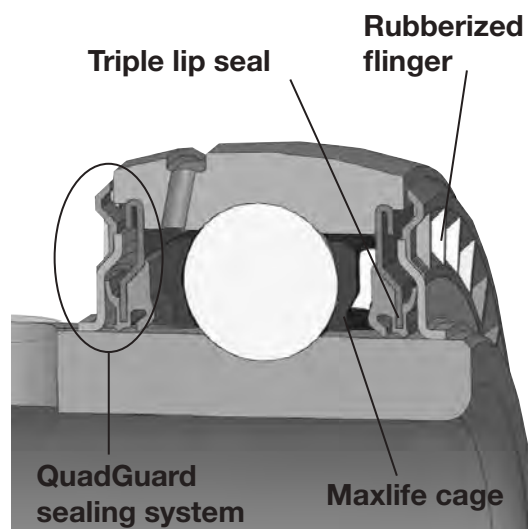
Polymer and stainless steel housed mounted bearings

Insert: The Dodge Ultra Kleen features inserts made of 100% stainless steel and includes set screws positioned at 65 degree angles to provide maximum locking force without compromising inner ring strength. The inserts each include a stainless anti-rotation pin to prevent insert rotation in the housing under load which may cause premature bearing failure. Stainless inserts eliminate the possibility of contamination due to chipping and flaking, commonly found in inserts which are coated with zinc or thin-dense chrome.

Sealing: Retaining lubrication and preventing contamination from entering the bearing is critical in harsh environments. That is why Dodge has developed the premium QuadGuard® sealing system for maximum sealing effectiveness under these conditions. The seal includes two patented features unique to Dodge bearings; these features are standard on the Ultra Kleen product. The first is a triple-lip seal designed to maximize sealing and produce less drag than other multi-lip seals. The Dodge patented triple-lip design uses a mechanically retained seal with two contact points on the

inner ring and one contact point riding against the flinger surface. Three points of contact maximize the ability of the seal to guard against contamination

and to retain lubricants. The QuadGuard seal incorporates the industry's first (and only) patented rubberized flinger. This flinger uses molded rubber to provide additional protection from contaminants entering the bearing. The baffle design of the rubber on the external surface of the flinger enhances the removal of liquid as the flinger rotates. Grease chambers on the internal surface prevent lubricants from exiting the bearing during operation while allowing purging during re-lubrication. This superior design will increase service life in dirty environments thus leading to extended up-time for our customers. When used in conjunction with one another, the triple-lip seal and rubberized flinger create a sealing system that is ideal for demanding environments.



Retainer: The Maxlife® Cage is the product of extensive research and development in retainer technology and industry leading engineering. The cage features a two-piece design that creates a grease compartment around each of the rolling elements. These compartments allow balls to be constantly in contact with grease, so a good oil film will always exist to prevent wear and minimize friction and heat. The Maxlife cage reduces the relative motion between bearing components and grease which results in lower operating temperatures and extended life. The compartmental construction of the cage tends to hold in the grease and prevent it from being washed out in extremely wet or dirty conditions. This feature allows the bearing to be re-lubricated with less frequency than standard designs require, while extending bearing life.

Ultra Kleen mounted ball bearings

Features/Benefits

Lubrication: 100% filled with H1, food grade grease

Ultra Kleen Polymer and stainless steel housed mounted bearings

Housings: The Ultra Kleen is available in a wide variety of both polymer and stainless housing designs.

● Polymer

- 204 to 210 Series (3/4" bore to 2", 20mm to 50mm)
 - Pillow block
 - Two-bolt flange
 - Four-bolt flange
- 204 to 207 Series (3/4" bore to 1-7/16", 20mm to 50mm)
 - Tapped base
 - Flange bracket
 - Wide slot take-up
- Solid cross-section base housings
- No core cavities to trap contaminants
- Anti-microbial agent retards bacterial and fungal growth
- All stainless hardware and fittings
- Housing strength exceeds bearing static capacity
- End covers available



● Stainless

- 204 to 208, 210 Series
 - Pillow block
 - Two-bolt flange
 - Four-bolt flange
 - Narrow slot take-up
 - Wide slot take-up
 - Tapped base
 - Flange bracket (no 208, 209)
- 204-207 Series
 - Light duty two-bolt flange, LFT
 - Light duty three-bolt flange, LF
- 300 Series stainless steel casting
- End covers available



End covers

Many Dodge E-Z Kleen and Ultra Kleen bearings include a housing groove to accept a snap-on polymer end cover. These durable covers are easy to install and each is provided with a drain hole to prevent moisture from collecting inside the cover. The snap-on style of end cover incorporates an additional lip on the mounting surface for a rigid fit within the housing. This tight fit creates a better seal prevents movement of the cover during operation and high-pressure cleaning. Dodge snap-on end covers provide positive sealing in wet environments and create safer working conditions by enclosing rotating shafts.

Ultra Kleen mounted ball bearings

Features/Benefits

Ultra Kleen-SC

Ultra Kleen-SC	End-cover capability		Sealing		Retainer
	End-cover groove	Snap-on end cover	Triple-lip seal	Stainless rubberized flinger	Maxlife cage
Standard features	X	X	X	X	X

Housing capability stainless

Housing style	204	205	206	207	208	209	210
P2B	X	X	X	X	X		X
F2B	X	X	X	X	X		X
F4B	X	X	X	X	X		X
FB	X	X	X	X			X
TB	X	X	X	X	X		X
NSTU	X	X	X	X	X		X
WSTU	X	X	X	X	X		X

Housing capability polymer

Housing style	204	205	206	207	208	209	210
P2B	X	X	X	X	X	X	X
F2B	X	X	X	X	X	X	X
F4B	X	X	X	X	X	X	X
FB	X	X	X	X			
TB	X	X	X	X			
NSTU							
WSTU	X	X	X	X			
LF							
LFT							

Ultra Kleen mounted ball bearings

How to order/Nomenclature

Ultra Kleen polymer and stainless steel housed mounted bearings

How to order

There are two ways to specify Dodge Ultra Kleen mounted ball bearings. Most of the product offerings have part numbers with listings shown throughout this brochure. Use of part numbers ensures accurate order processing.

When part numbers are not shown, the product may be specified by description or part name. This method is used when ordering units that include modifications or options. To order by description for options not covered by the nomenclature.

Nomenclature

P2B - SCHUEZ - 104S = PSS

Modification or feature:

- SS = Stainless steel Insert
- MOD = Modified
- P = Polymer housing
- SH = Stainless steel housing

Shaft size

Inches:

First digit = Number of inches

Second & third digits = Number of sixteenths of an inch

104 = Indicates 1-4/16 or 1-1/4

S = Next smaller ring size. E.g. 1-1/4 206 would be written as 104S

L = Next larger ring size. E.g. 1/2 204 would be written as 008L

Metric:

First two digits = number of millimeters

M = Metric

Bearing type:

SC = Wide inner ring, normal duty, 65° setscrew locking

Suffixes to the above:

EZ = E-Z Kleen/Ultra Kleen (used with polymer or stainless steel housed units)

BEZ = Low backing height pillow block, E-Z Kleen/Ultra Kleen

UEZ = higher back pillow block, E-Z Kleen/Ultra Kleen (for interchangeability with competitive pillow blocks)

Housing:

F2B = 2 bolt flange

F4B = 4 bolt flange

FB = Flanged bracket

INS = Insert

P2B = Pillow block, 2 bolt base

TB = Tapped base pillow block

WSTU = Wide slot take-up

NSTU = Narrow slot take-up

LF = 3 bolt, light duty flange

LFT = 2 bolt, light duty flange

Ultra Kleen mounted ball bearings

Easy selection

Selection of Dodge Ultra Kleen polymer and stainless steel housed ball bearings

Dodge Ultra Kleen mounted ball bearings are primarily designed for radial loading. However, they have the capacity to carry thrust loads and combined radial/thrust loads. The maximum recommended load which can be applied is limited by various components in the system, such as bearing, housing, shaft attachments, speed and life requirements as listed in this catalog and the instruction manual that accompanies each bearing. Dodge Ultra Kleen mounted ball bearings have been applied successfully when these limits have been exceeded under controlled operating conditions. Contact Dodge engineering for applications which exceed these recommendations.

Select a bearing from the Selection Table that has a radial load rating at the operating speed equal to or greater than the calculated Equivalent Radial Load for a desired L_{10} life. This simple method is all that is required for the majority of general applications and provides for occasional average shock loads.

L_{10} Hours life-the life which may be expected for at least 90% of a given group of bearings operating under identical conditions.

Heavy service-For heavy shock loads, frequent shock loads or severe vibrations, add up to 50% (according to severity of conditions) to the Equivalent Radial Load to obtain a Modified Equivalent Radial Load. Consult Application Engineering for additional selection assistance.

A maximum thrust load value of $C/10$ is recommended as a guide for general applications and will give adequate L_{10} life. If the thrust load exceeds this limit, it is advisable to use auxiliary thrust carrying devices, such as a shaft shoulder, snap ring, or a thrust collar. Where substantial radial load pulls the housing away from the mounting base, both the hold-down bolts and housing must be of adequate strength. Auxiliary load carrying devices, such as shear bars, are advisable for side or end-loading of pillow blocks and radial loads for flange units.

To determine the L_{10} hours life for loads and RPMs not listed use the following equation:

$$L_{10} = \left(\frac{C}{P} \right)^3 \times \left(\frac{16,667}{n} \right)$$

Where:

L_{10} = Life, hours

C = Dynamic Capacity, lb or N

P = Equivalent Radial Load, lb or N

n = Revolutions per minute

When the load on a ball bearing is solely a radial load with no thrust (axial) load, the Equivalent Radial Load (P) is equal to the actual radial load. However, when a thrust (axial) load is applied, the radial and thrust loads applied must be converted into an Equivalent Radial Load. Use X (radial factor) and Y (thrust factor) from Table 1 to convert the actual applied thrust and radial loads to an Equivalent Radial Load which has the same effect on the life of a bearing as a radial load of this magnitude.

Shaft tolerances	
Normal shaft size (inches)	Recommended shaft tolerances SC (inches)
Up to 1-1/2"	+0.000 -0.0005
Over 1-1/2 to 2"	+0.000 -0.0010

$$P = XF_R + YF_A$$

Where:

P = Equivalent radial load, lb

F_R = Radial load, lb

F_A = Thrust load, lb

e = Thrust load to radial load factor (Table 1)

X = Radial load factor (Table 1)

Y = Thrust factor (Table 1)

C_0 = Basic static capacity (Selection Table)

To find X and Y, first calculate F_A/C_0 to determine e. Calculate F_A/F_R and compare to e to determine the X and Y factors to use from table 1.

Substitute all known values into the equivalent radial load equation. The equivalent radial load (P) thus determined can be used in the L_{10} life formula or compared to the allowable equivalent radial load rating desired in the expanded rating chart to select a bearing (Selection Table).

Ultra Kleen mounted ball bearings

Easy selection

Selection of Dodge Ultra Kleen polymer and stainless steel housed ball bearings

If calculated value of P is less than F_R , use $P=F_R$.

Table 1

F_A/C_0	e	Radial/Thrust factors			
		If F_A/F_R is equal to or less than e		If F_A/F_R is greater than e	
		$F_A/F_R \leq e$		$F_A/F_R > e$	
		X	Y	X	Y
0.014	0.19	1	0	0.56	2.30
0.021	0.21	1	0	0.56	2.15
0.028	0.22	1	0	0.56	1.99
0.042	0.24	1	0	0.56	1.85
0.056	0.26	1	0	0.56	1.71
0.070	0.27	1	0	0.56	1.63
0.084	0.28	1	0	0.56	1.55
0.110	0.30	1	0	0.56	1.45
0.170	0.34	1	0	0.56	1.31
0.280	0.38	1	0	0.56	1.15
0.420	0.42	1	0	0.56	1.04
0.560	0.44	1	0	0.56	1.00

Lubrication- Dodge ball bearings are lubricated at the factory and are ready to run. The bearings are initially lubricated with an aluminum complex based, H1 Food grade grease and should be relubricated with the same or some equivalent. For high speeds, high loads, extreme temperatures and other abnormal operating conditions, special greases may be required. Contact Dodge application engineering for recommendations on these types of applications.

Misalignment - Dodge ball bearings are designed to allow a maximum of $\pm 2^\circ$ static misalignment. These bearings are not suitable for dynamic misalignment. To ensure good alignment, mounting surfaces must be checked for flatness and must lie in the same plane. When tightening base bolts, each bolt should be alternately tightening in incremental torque values until full torque is achieved to prevent the angular shifting of the pillow block that occurs when one bolt is tightened to its full torque. Shimming may be required to minimize misalignment.

Ultra Kleen mounted ball bearings

Easy selection

Selection of Dodge Ultra Kleen polymer and stainless steel housed ball bearings

Recommended Torque

Setscrews		D-Lok						Mounting bolts						
Setscrew size	Key hex across flats	Recommended torque				Cap screw size	Recom. torque	E-Z Kleen recom. torque	Metal housings		E-Z Kleen housed bearings			
		Standard ball bearing insert		Corrosion resistant stainless steel	Bolt size				Recom. dry torque (Grade 2)	2-Bolt PB, 2 & 4 Bolt Fig. and Fig. brackets		Tapped base PB		
		Min	Max							Bolt size	Torque ①	Bolt size	Torque ②	
(in.)	(in.)	(in.-lb)	(in.-lb)	(in.-lb)	(in.)	(in.-lb)	(in.-lb)	(in.)	(in.-lb)	(in.)	(in.-lb)	(in.)	(in.-lb)	
#10	3/32	28	33	25	#8-32	58	46	3/8-16	240	3/8-16	225	3/8-16	175	
1/4	1/8	66	80	60	#10-32	90	72	7/16-14	384	7/16-14	350	7/16-14	350	
5/16	5/32	126	156	117	1/4-28	180	144	1/2-13	600	1/2-13	500	1/2-13	400	
3/8	3/16	228	275	206	5/16-24	400	320	5/8-11	1200	9/16-12	650			
7/16	7/32	342	428	321	3/8-24	750	600	3/4-10	1950	5/8-11	1000			
								7/8-9	2890					
(mm)	(mm)	(N-m)	(N-m)	(N-m)	(mm)	(N-m)	(N-m)	(mm)	(N-m)	(mm)	(N-m)			
M5	2.5	3.2	3.7	2.8	M4	585	4.68	M10	29	M8	15			
M6	3	6.2	7.7	5.8	M5	10.75	8.6	M12	50	M10	25			
M8	4	14.2	17.8	13.4	M6	20.5	16.4	M16	124	M12	50			
M10	5	26	31	23	M8	45	36	M20	238	M14	75			
M12	6	46	57	43				M22	322	M18	125			

① Torque for austenitic (18-8) Stainless

② Max. torque values published. Do not exceed

Lubrication

High speed operation - In the higher speed ranges, too much grease will cause over-heating. The amount of grease that the bearing will take for a particular high speed application can only be determined by experience. If excess grease in the bearing causes overheating, it will be necessary to remove grease fitting to permit excess grease to escape. The bearing has been greased at the factory and is ready to run. When establishing a relubrication schedule, note that a small amount of grease at frequent intervals is preferable to a large amount at infrequent intervals.

Lubrication guide								
Use a No. 2 Lithium complex base grease or equivalent*								
Hours run per day	Suggested lubrication period in weeks							
	1 to 250 RPM	251 to 500 RPM	501 to 750 RPM	751 to 1000 RPM	1001 to 1500 RPM	1501 to 2000 RPM	2001 to 2500 RPM	2501 to 3000 RPM
8	12	12	10	7	5	4	3	2
16	12	7	5	4	2	2	1	1
24	10	5	3	2	1	1	1	1

* For E-Z Kleen and Ultra Kleen series bearings, use an aluminum complex base grease.

Lubrication recommendations are intended for standard products applied in general operating conditions. For modified products, high temperature applications, and other anomalous applications contact product engineering at 864-284-5700.

Ultra Kleen mounted ball bearings

Easy selection

Table 2: Easy selection for polymer and stainless housed Ultra Kleen mounted ball bearings - Inch and Metric

Ring size	Shaft size SC	Dynamic capacity C, lb	Static capacity Co, lb	L ₁₀ Life - hours	Allowable equivalent radial load rating (lb) at various RPM*											
					50	150	250	500	750	1000	1250	1500	1600	1750	2000	2250
204	1/2	2464	1482	20000	629	436	368	292	255	232	215	203	198	192	184	177
	5/8	2464	1482	30000	550	381	322	255	223	203	188	177	173	168	161	155
	3/4	2464	1482	40000	500	346	292	232	203	184	171	161	157	153	146	140
	13/16	2464	1482	60000	436	303	255	203	177	161	149	140	137	133	128	123
	20mm	2464	1482	100000	368	255	215	171	149	136	126	118	116	113	108	103
205	15/16	2674	1769	20000	683	474	399	317	277	252	234	220	215	209	200	192
	15/16	2674	1769	30000	597	414	349	277	242	220	204	192	188	182	174	168
	1	2674	1769	40000	542	376	317	252	220	200	185	174	171	166	159	152
	25mm	2674	1769	60000	474	328	277	220	192	174	162	152	149	145	138	133
		2674	1769	100000	399	277	234	185	162	147	137	129	126	122	117	112
206	1-1/16	3713	2538	20000	948	658	555	440	385	349	324	305	299	290	277	267
	1-1/8	3713	2538	30000	829	574	485	385	336	305	283	267	261	253	242	233
	1-3/16	3713	2538	40000	753	522	440	349	305	277	257	242	237	230	220	212
	1-1/4	3713	2538	60000	658	456	385	305	267	242	225	212	207	201	192	185
	30mm	3713	2538	100000	555	385	324	257	225	204	190	179	175	170	162	156
207	1-1/4	4895	3461	20000	1250	867	731	580	507	461	428	402	394	382	366	352
	1-5/16	4895	3461	30000	1092	757	639	507	443	402	374	352	344	334	319	307
	1-3/8	4895	3461	40000	992	688	580	461	402	366	339	319	313	303	290	279
	1-7/16	4895	3461	60000	867	601	507	402	352	319	296	279	273	265	254	244
	35mm	4895	3461	100000	731	507	428	339	296	269	250	235	230	224	214	206
208	1-1/2	6232	4475	20000	1592	1104	931	739	645	586	544	512	501	487	465	448
	1-5/8	6232	4475	30000	1391	964	813	645	564	512	476	448	438	425	407	391
	40mm	6232	4475	40000	1263	876	739	586	512	465	432	407	398	386	369	355
		6232	4475	60000	1104	765	645	512	448	407	377	355	348	337	323	310
		6232	4475	100000	931	645	544	432	377	343	318	300	293	285	272	262
209	1-5/8	6707	4906	20000	1713	1188	1002	795	695	631	586	551	540	524	501	482
	1-11/16	6707	4906	30000	1497	1038	875	695	607	551	512	482	471	458	438	421
	1-3/4	6707	4906	40000	1360	943	795	631	551	501	465	438	428	416	398	382
	45mm	6707	4906	60000	1188	824	695	551	482	438	406	382	374	363	347	334
		6707	4906	100000	1002	695	586	465	406	369	343	322	316	306	293	282
210	1-15/16	6707	5213	20000	1713	1188	1002	795	695	631	586	551	540	524	501	482
	2	6707	5213	30000	1497	1038	875	695	607	551	512	482	471	458	438	421
	50mm	6707	5213	40000	1360	943	795	631	551	501	465	438	428	416	398	382
		6707	5213	60000	1188	824	695	551	482	438	406	382	374	363	347	334
		6707	5213	100000	1002	695	586	465	406	369	343	322	316	306	293	282

* Slight interference fit required when operating on the right of the heavy line or in the shaded area.

▲ Piloted flange only

Ultra Kleen mounted ball bearings

Easy selection

Table 2: Easy selection for polymer and stainless housed Ultra Kleen mounted ball bearings - Inch and Metric

Ring size	Shaft size SC	Dynamic capacity C, lb	Static capacity C ₀ , lb	L ₁₀ Life - hours	Allowable equivalent radial load rating (lb) at various RPM*											
					2500	2750	3000	3250	3500	3600	4000	4500	5000	5250	5500	6000
204	1/2	2464	1482	20000	171	166	161	157	153	151	146	140	136	133	131	128
	5/8	2464	1482	30000	149	145	140	137	133	132	128	123	118	117	115	111
	3/4	2464	1482	40000	136	131	128	124	121	120	116	111	108	106	104	101
	13/16	2464	1482	60000	118	115	111	109	106	105	101	97	94	93	91	88
	20mm	2464	1482	100000	100	97	94	92	89	88	85	82	79	78	77	75
205	7/8	2674	1769	20000	185	180	174	170	166	164	159	152	147	145	143	138
	15/16	2674	1769	30000	162	157	152	148	145	143	138	133	129	126	125	121
	1	2674	1769	40000	147	143	138	135	132	130	126	121	117	115	113	110
	25mm	2674	1769	60000	129	125	121	118	115	114	110	106	102	100	99	96
		2674	1769	100000	108	105	102	99	97	96	93	89	86	85	83	81
206	1-1/16	3713	2538	20000	257	249	242	236	230	228	220	212	204	201		
	1-1/8	3713	2538	30000	225	218	212	206	201	199	192	185	179	176		
	1-3/16	3713	2538	40000	204	198	192	187	183	181	175	168	162	160		
	1-1/4	3713	2538	60000	179	173	168	164	160	158	153	147	142	139		
	30mm	3713	2538	100000	151	146	142	138	135	133	129	124	119	118		
207	1-1/4	4895	3461	20000	339	329	319	311	303	301	290	279				
	1-5/16	4895	3461	30000	296	287	279	272	265	263	254	244				
	1-3/8	4895	3461	40000	269	261	254	247	241	239	230	221				
	1-7/16	4895	3461	60000	235	228	221	216	210	208	201	193				
	35mm	4895	3461	100000	198	192	187	182	177	176	170	163				
208	1-1/2	6232	4475	20000	432	419	407	396	386	383	369					
	1-5/8	6232	4475	30000	377	366	355	346	337	334	323					
	40mm	6232	4475	40000	343	332	323	314	307	304	293					
		6232	4475	60000	300	290	282	275	268	265	256					
		6232	4475	100000	253	245	238	232	226	224	216					
209	1-5/8	6707	4906	20000	465	450	438	426	416	412	398					
	1-11/16	6707	4906	30000	406	394	382	372	363	360	347					
	1-3/4	6707	4906	40000	369	358	347	338	330	327	316					
	45mm	6707	4906	60000	322	312	303	295	288	286	276					
		6707	4906	100000	272	263	256	249	243	241	233					
210	1-15/16	6707	5213	20000	465	450	438	426	416	412						
	2	6707	5213	30000	406	394	382	372	363	360						
	50mm	6707	5213	40000	369	358	347	338	330	327						
		6707	5213	60000	322	312	303	295	288	286						
		6707	5213	100000	272	263	256	249	243	241						

* Slight interference fit required when operating on the right of the heavy line or in the shaded area.

▲ Piloted flange only

Ultra Kleen mounted ball bearings

Easy selection

Chemical resistance chart*

	Housing	Ball bearing insert		
	polymer	Stainless	E-Z Kleen	Ultra-Kleen
A				
Acetic acid	B	B	A	B
Acetone	B	A	A	B
Ammonium chloride		B	A	B
Ammonium hydroxide	D	A		A
Aniline	A	A	B	A
B				
Beer		A	A	
Beet sugar liquids		A		
Benzene	B	B	B	B
Bleaching lye	A			
Brake fluid	A			
Butane	A	A	A	
Butanol	B	A	A	
Butyl acetate	A	B	A	
C				
Calcium chloride	A	B	A	C
Calcium hydroxide		B	A	
Calcium hypochlorite	A	D	B	C
Carbon disulphide	A	B	B	
Carbon tetrachloride	A	B	A	A
Chloroform	D	A	A	A
Chromic acid	A	B	A	B
Citric acid	A	A	A	A
Cresol	D	A		
D				
Detergents	A	A	A	A
Diesel fuel	A	A	B	
E				
Ethanol	A	A		A
Ether (diethyl-)	A	A	B	A
Ethyl acetate	B	B	B	
Ethylene dichloride	D	B	B	
F				
Ferrous chloride		D	B	
Formaldehyde		B	B	
Formic acid	B	B	A	B
Freon 11	A	A	A	
G				
Gasoline	A	A	A	A
Glycerol (Glycerin)	B	A	A	A
Glycol	B			
Grease	A	A	A	A

Where: (A) = No effect - Excellent
 (B) = Minor effect - Good
 (C) = Moderate effect - Fair
 (D) = Severe effect - Not recommended
 Blank = No data available

Note: All references assume exposure temperature of 72°F.

* This chemical resistance chart is intended as a guideline. For exposure to high concentrations, prolonged contact, or higher operating temperatures, etc. reliance upon actual application experience is best. Aggressive relubrication intervals may also benefit bearing life. Contact application engineering at 864-284-5700 for assistance.

Ultra Kleen mounted ball bearings

Easy selection

Chemical resistance chart*

	Housing		Ball bearing insert	
	polymer	Stainless	E-Z Kleen	Ultra-Kleen
H				
Heptane	A	A	A	
Hexane	A	A	A	
Hydrochloric acid (20%)	A	D	B	D
Hydrochloric acid (100%)	D	D	C	D
Hydrofluoric acid (20%)	D	D	B	D
Hydrofluoric acid (100%)	D	D	C	D
Hydrogen peroxide (10%)	A	C	A	
Hydrogen peroxide (30%)	B	C	A	
I, K, L				
Iodine		D	B	D
Isopropanol (Isopropyl alcohol)	B	A	A	
Kerosene	A	A	A	A
Lithium chloride		A		
M				
Methanol	A	A	A	A
Methylene chloride	D	B	B	
Methyl ethyl ketone	A	A	A	
Mineral oil	A	A	A	A
Motor oils	A	A	A	A
N				
Nitric acid (10%)	A	A	A	A
Nitric acid (20%)	D	A	A	A
Nitric acid (50%)	D	A	A	A
O				
Oleic acid	A	A	B	B
Olive oil	A	A	A	A
P				
Perchloroethylene	A	B	B	
Phenol	B	B	A	
Phosphoric acid (<40%)	A	B	A	A
Phosphoric acid (>40%)	A	C	A	B
Potassium chloride	A	B	A	B
P (Continued)				
Potassium dichromate	A	B	B	B
Potassium hydroxide	D	B	A	B
Potassium permanganate	A	A	B	B
S				
Silicone	A	B	A	A
Soap solution	A	A	A	A
Sodium bicarbonate	A	A	A	A
Sodium bisulfate		D	B	B

Where: (A) = No effect - Excellent
 (B) = Minor effect - Good
 (C) = Moderate effect - Fair
 (D) = Severe effect - Not recommended
 Blank = No data available

Note: All references assume exposure temperature of 72°F.

* This chemical resistance chart is intended as a guideline. For exposure to high concentrations, prolonged contact, or higher operating temperatures, etc. reliance upon actual application experience is best. Aggressive relubrication intervals may also benefit bearing life. Contact application engineering at 864-284-5700 for assistance.

Ultra Kleen mounted ball bearings

Easy selection

Chemical resistance chart*

	Housing		Ball bearing insert	
	polymer	Stainless	E-Z Kleen	Ultra-Kleen
Sodium bisulfite	A	B	B	B
Sodium carbonate	A	A	A	B
Sodium chloride	A	B	A	B
Sodium hydroxide (20%)	D	A	A	A
Sodium hydroxide (50%)	D	B	A	
Sodium hydroxide (80%)	D	C	B	
Sodium hypochlorite (<20%)	A	C	B	C
Sodium hypochlorite (100%)	B	D	B	D
Sulfuric acid (<10%)	A	D	A	C
Sulfuric acid (10 - 75%)	A	D	B	D
Sulfuric acid (>75%)	D	D	C	D
T				
Tetrahydrofuran	B	A	A	
Toulene	A	A	A	
Trichlorethylene	B	B	A	
Triethylamine		A	A	
Turpentine	A	A	A	
V, W, X				
Vegetable oils	A	A	A	A
Water	A	A	A	A
Xylene	A	B	A	

Where: (A) = No effect - Excellent
 (B) = Minor effect - Good
 (C) = Moderate effect - Fair
 (D) = Severe effect - Not recommended
 Blank = No data available

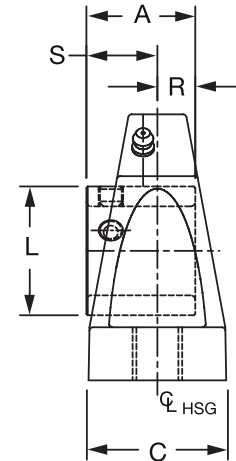
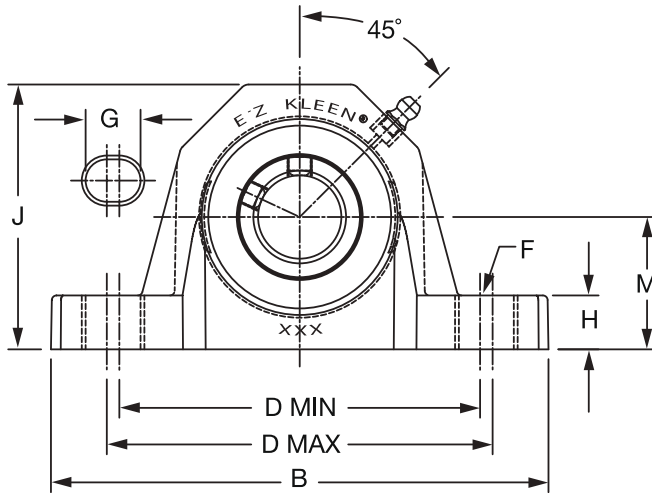
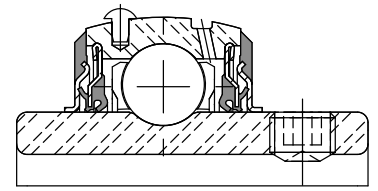
Note: All references assume exposure temperature of 72°F.

* This chemical resistance chart is intended as a guideline. For exposure to high concentrations, prolonged contact, or higher operating temperatures, etc. reliance upon actual application experience is best. Aggressive relubrication intervals may also benefit bearing life. Contact application engineering at 864-284-5700 for assistance.

Ultra Kleen mounted ball bearings

Selection/Dimensions

Ultra Kleen mounted ball bearings
SCEZ PSS normal duty polymer
housed pillow blocks

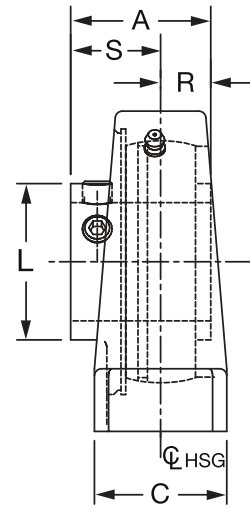
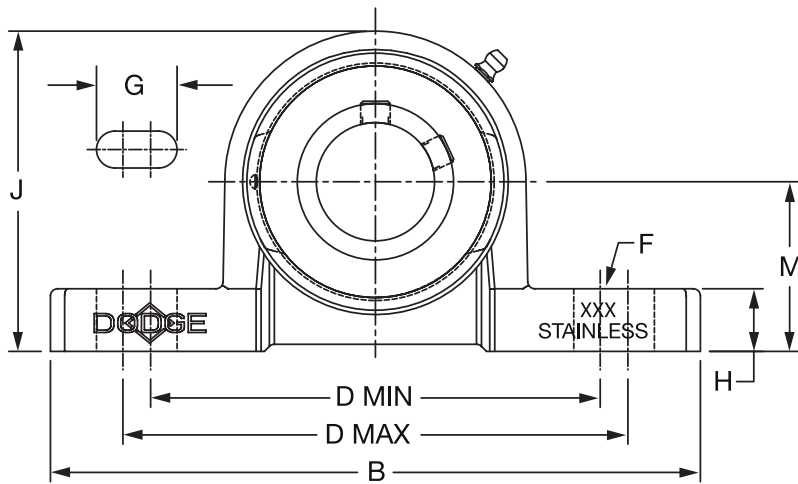
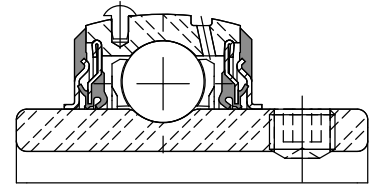


Series	Shaft size	With stainless steel insert		Weight lb kg	A	B	C	D		F Bolt dia.	G	H	J	L	M	R	S
		Part No.	Description					min.	max.								
204	3/4	136695	P2B-SCEZ-012-PSS	0.64	1.23	5.02	1.48	3.66	3.92	3/8	0.59	0.61	2.63	1.11	1.31	0.50	0.73
	20mm	136740	P2B-SCEZ-20M-PSS	0.30	31.2	127.5	37.6	93.0	99.6	M10	15.0	15.5	66.8	28.2	33.4	12.7	18.5
205	1	136696	P2B-SCEZ-100-PSS	0.69	1.19	5.48	1.48	3.96	4.20	3/8	0.59	0.61	2.86	1.32	1.44	0.43	0.76
	25mm	136741	P2B-SCEZ-25M-PSS	0.32	30.2	139.2	37.6	100.6	106.7	M10	15.0	15.5	72.6	33.5	36.5	10.9	19.3
206	1-3/16	136697	P2B-SCUEZ-103-PSS	1.13	1.52	6.30	1.77	4.60	4.88	1/2	0.73	0.70	3.34	1.57	1.69	0.58	0.94
	1-1/4	136698	P2B-SCUEZ-104S-PSS	1.11	1.52	6.30	1.77	4.60	4.88	1/2	0.73	0.70	3.34	1.57	1.69	0.58	0.94
	30mm	136742	P2B-SCUEZ-30M-PSS	0.51	38.6	160.0	45.0	116.8	124.0	M12	18.5	17.8	84.8	39.9	42.9	14.7	23.9
207	1-1/4	136699	P2B-SCEZ-104-PSS	1.68	1.54	6.54	1.86	4.80	5.12	1/2	0.73	0.72	3.89	1.84	1.88	0.51	1.03
	1-7/16	136700	P2B-SCEZ-107-PSS	1.52	1.54	6.54	1.86	4.80	5.12	1/2	0.73	0.72	3.89	1.84	1.88	0.51	1.03
	35mm	136743	P2B-SCEZ-35M-PSS	0.74	39.1	166.1	47.2	121.9	130.0	M12	18.5	18.3	98.8	46.7	47.6	13.0	26.2
208	1-1/2	136701	P2B-SCBEZ-108-PSS	2.08	1.68	7.19	2.10	5.10	5.64	1/2	0.88	0.76	4.16	2.05	1.94	0.59	1.09
	40mm	136744	P2B-SCBEZ-40M-PSS	0.88	42.7	182.6	53.3	129.5	143.3	M12	22.4	19.3	105.7	52.1	49.2	15.0	27.7
209	1-11/16	136702	P2B-SCEZ-111-PSS	2.34	1.71	7.20	2.10	5.42	5.96	1/2	0.88	0.84	4.31	2.22	2.13	0.58	1.13
	45mm	136745	P2B-SCEZ-45M-PSS	1.03	43.4	182.9	53.3	137.7	151.4	M12	22.4	21.3	109.5	56.4	54.0	14.7	28.7
210	1-15/16	136703	P2B-SCEZ-115-PSS	2.65	1.74	8.06	2.36	6.00	6.56	5/8	1.00	0.91	4.56	2.43	2.25	0.58	1.16
	2	136986	P2B-SCEZ-200-PSS	2.58	1.74	8.06	2.36	6.00	6.56	5/8	1.00	0.91	4.56	2.43	2.25	0.58	1.16
	50mm	136746	P2B-SCEZ-50M-PSS	1.30	44.2	204.7	59.9	152.4	166.6	M16	25.4	23.1	115.8	61.7	57.2	14.7	29.5

Ultra Kleen mounted ball bearings

Selection/Dimensions

Ultra Kleen mounted ball bearings
SCEZ SHSS normal duty stainless steel
housed pillow blocks

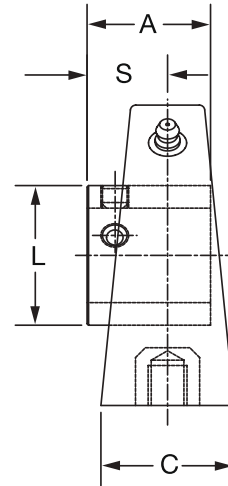
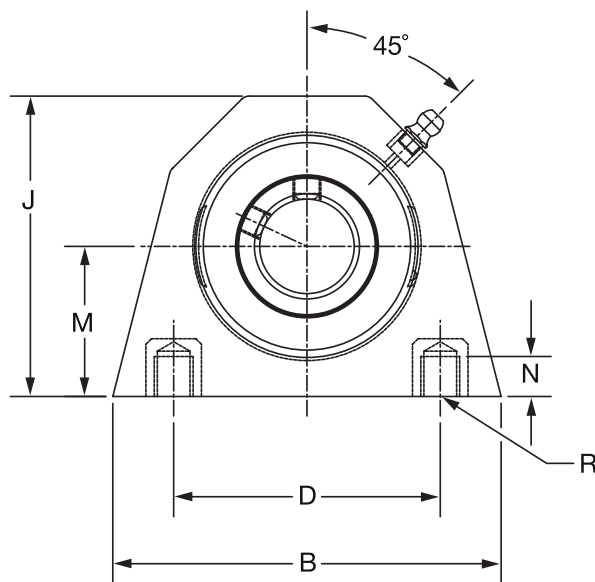
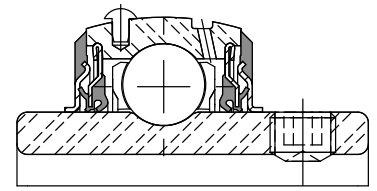


Series	Shaft size	With stainless steel insert		Weight lb kg	A	B	C	D		F Bolt dia.	G	H	J	L	M	R	S
		Part No.	Description					min.	max.								
204	3/4	136773	P2B-SCEZ-012-SHSS	1.31	1.23	5.00	1.00	3.38	4.18	3/8	0.84	0.50	2.50	1.11	1.31	0.50	0.73
	20mm	136849	P2B-SCEZ-20M-SHSS	0.59	31.2	127.0	25.4	85.9	106.2	M10	21.3	12.7	63.5	28.2	33.3	12.7	18.5
205	1	136774	P2B-SCEZ-100-SHSS	1.59	1.19	5.50	1.12	3.68	4.50	3/8	0.85	0.53	2.71	1.32	1.44	0.43	0.76
	25mm	136850	P2B-SCEZ-25M-SHSS	0.73	30.2	139.7	28.4	93.5	114.3	M10	21.6	13.5	68.8	33.5	36.5	10.9	19.3
206	1-3/16	136775	P2B-SCEZ-103-SHSS	2.33	1.52	6.25	1.25	4.26	5.00	1/2	0.93	0.53	3.13	1.57	1.63	0.58	0.94
	1-1/4	136777	P2B-SCEZ-104S-SHSS	2.29	1.52	6.25	1.25	4.26	5.00	1/2	0.93	0.53	3.13	1.57	1.63	0.58	0.94
	30mm	@	P2B-SCEZ-30M-SHSS	1.06	38.6	158.8	31.8	108.2	127.0	M12	23.6	13.5	79.5	39.9	41.3	14.7	23.9
206 (SCU)	1-3/16	136776	P2B-SCUEZ-103-SHSS	2.44	1.52	6.25	1.25	4.26	5.00	1/2	0.93	0.59	3.19	1.57	1.69	0.58	0.94
	1-1/4	136778	P2B-SCUEZ-104S-SHSS	2.39	1.52	6.25	1.25	4.26	5.00	1/2	0.93	0.59	3.19	1.57	1.69	0.58	0.94
	30mm	136851	P2B-SCUEZ-30M-SHSS	1.11	38.6	158.8	31.8	108.2	127.0	M12	23.6	15.0	81.0	39.9	42.9	14.7	23.9
207	1-1/4	136779	P2B-SCEZ-104-SHSS	3.36	1.54	6.50	1.38	4.68	5.44	1/2	0.94	0.56	3.63	1.84	1.88	0.51	1.03
	1-7/16	136780	P2B-SCEZ-107-SHSS	3.19	1.54	6.50	1.38	4.68	5.44	1/2	0.94	0.56	3.63	1.84	1.88	0.51	1.03
	35mm	136852	P2B-SCEZ-35M-SHSS	1.47	39.1	165.1	35.1	118.9	138.2	M12	23.9	14.2	92.2	46.7	47.6	13.0	26.2
208	1-1/2	136781	P2B-SCEZ-108-SHSS	4.39	1.68	7.00	1.50	5.18	6.00	1/2	0.97	0.75	4.00	2.05	2.13	0.59	1.09
	40mm	@	P2B-SCEZ-40M-SHSS	1.95	42.7	177.8	38.1	131.6	152.4	M12	24.6	19.1	101.6	52.1	54.0	15.0	27.7
208 (SCB)	1-1/2	136782	P2B-SCBEZ-108-SHSS	3.93	1.68	7.00	1.50	5.18	6.00	1/2	0.97	0.56	3.81	2.05	1.94	0.59	1.09
	40mm	136853	P2B-SCBEZ-40M-SHSS	1.74	42.7	177.8	38.1	131.6	152.4	M12	24.6	14.2	96.8	52.1	49.2	15.0	27.7
210	1-15/16	136783	P2B-SCEZ-115-SHSS	5.14	1.74	8.00	1.63	5.76	6.68	5/8	1.14	0.62	4.31	2.43	2.25	0.58	1.16
	2	136989	P2B-SCEZ-200-SHSS	5.09	1.74	8.00	1.63	5.76	6.68	5/8	1.14	0.62	4.31	2.43	2.25	0.58	1.16
	50mm	136854	P2B-SCEZ-50M-SHSS	2.29	44.2	203.2	41.4	146.3	169.7	M16	29.0	15.7	109.5	61.7	57.2	14.7	29.5

Ultra Kleen mounted ball bearings

Selection/Dimensions

Ultra Kleen mounted ball bearings
SCEZ PSS normal duty polymer
housed tapped base pillow blocks

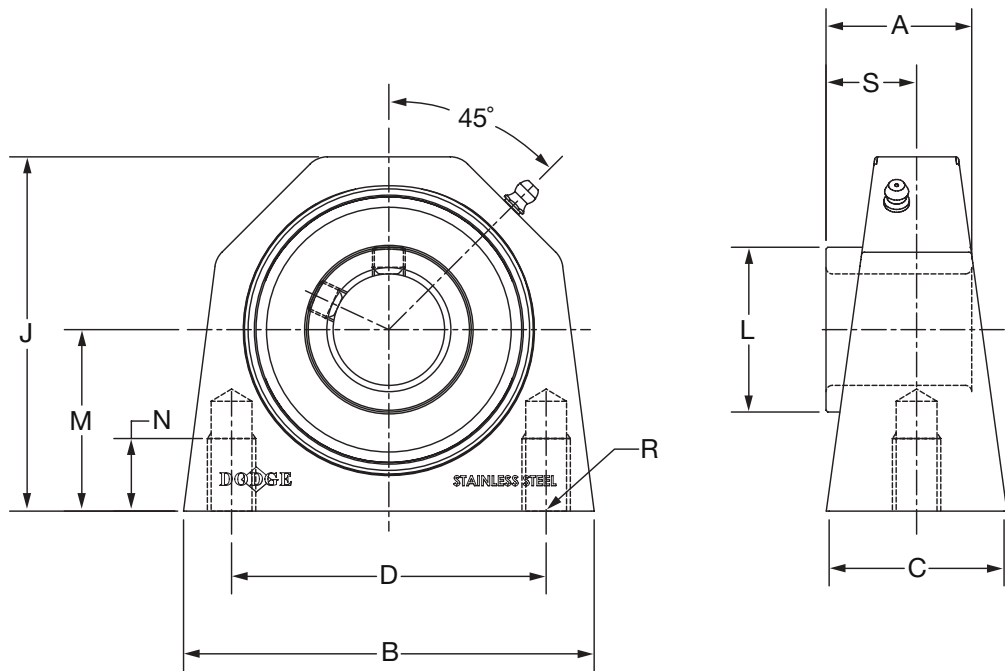
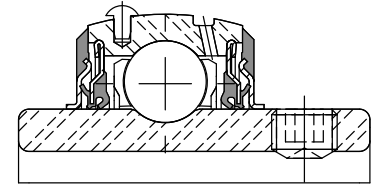


Series	Shaft size	With stainless steel insert		Weight lb kg	A	B	C	D	J	L	M	N Thread depth	R Bolt hole threads	S
		Part No.	Description											
204	3/4	136704	TB-SCEZ-012-PSS	0.60	1.23	3.25	1.48	2.00	2.65	1.11	1.31	0.40	3/8-16	0.73
	20mm	136747	TB-SCEZ-20M-PSS	0.29	31.2	82.6	37.6	50.8	67.3	28.2	33.4	10.2	M10x1.5	18.5
205	1	136705	TB-SCEZ-100-PSS	0.58	1.19	3.25	1.49	2.00	2.89	1.32	1.44	0.40	3/8-16	0.76
	25mm	136748	TB-SCEZ-25M-PSS	0.28	30.2	82.6	37.8	50.8	73.4	33.5	36.5	10.2	M10x1.5	19.3
206	1-3/16	136706	TB-SCEZ-103-PSS	1.09	1.52	4.38	1.57	3.00	3.38	1.57	1.69	0.45	7/16-14	0.94
	1-1/4	136707	TB-SCEZ-104S-PSS	1.07	1.52	4.38	1.57	3.00	3.38	1.57	1.69	0.45	7/16-14	0.94
	30mm	136749	TB-SCEZ-30M-PSS	0.49	38.6	111.3	39.9	76.2	85.9	39.9	42.9	11.4	M10x1.5	23.9
207	1-1/4	136708	TB-SCEZ-104-PSS	1.64	1.54	4.63	1.89	3.25	3.82	1.84	1.88	0.55	1/2-13	1.03
	1-7/16	136709	TB-SCEZ-107-PSS	1.48	1.54	4.63	1.89	3.25	3.82	1.84	1.88	0.55	1/2-13	1.03
	35mm	136750	TB-SCEZ-35M-PSS	0.72	39.1	117.6	48.0	82.6	97.0	46.7	47.6	14.0	M12x1.75	26.2

Ultra Kleen mounted ball bearings

Selection/Dimensions

Ultra Kleen mounted ball bearings
SCEZ SHSS normal duty stainless steel
tapped base bearings

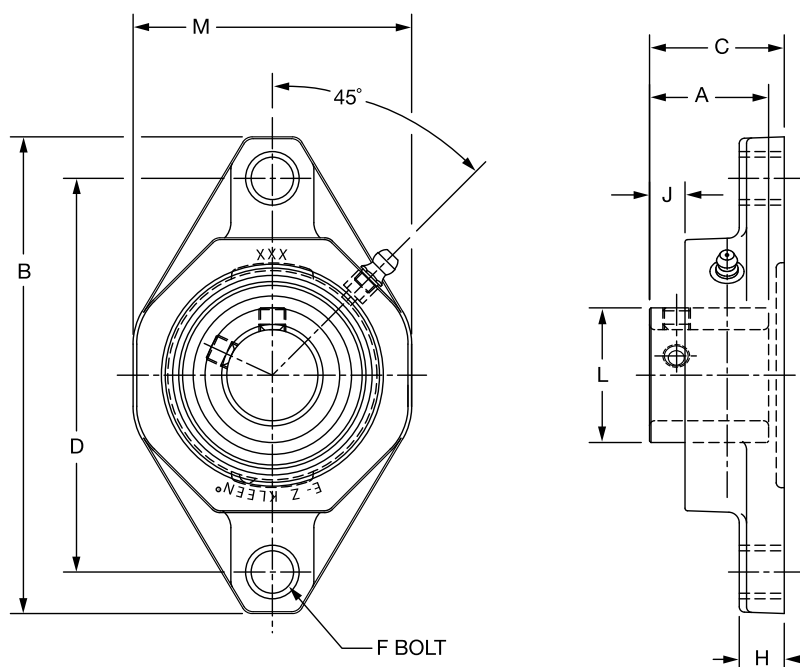
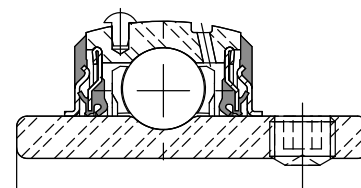


Series	Shaft size	With stainless steel insert		Weight lb kg	A	B	C	D	J	L	M	N	R	S
		Part No.	Description											
204	3/4	136784	TB-SCEZ-012-SHSS	1.27	1.23	2.77	1.36	2.00	2.50	1.11	1.31	0.45	3/8-16	0.73
	20mm	136855	TB-SCEZ-20M-SHSS	.576	31.2	70.4	34.5	50.8	63.5	28.2	33.4	11.4	3/8-16	18.5
205	1	136785	TB-SCEZ-100-SHSS	1.48	1.19	3.06	1.39	2.00	2.75	1.32	1.44	0.45	3/8-16	0.76
	25mm	136856	TB-SCEZ-25M-SHSS	.671	30.2	77.7	35.3	50.8	69.9	33.5	36.5	11.4	3/8-16	19.3
206	1-3/16	136786	TB-SCEZ-103-SHSS	2.49	1.52	3.84	1.50	3.00	3.22	1.57	1.69	0.88	7/16-14	0.94
	1-1/4	136787	TB-SCEZ-104S-SHSS	2.49	1.52	3.84	1.50	3.00	3.22	1.57	1.69	0.88	7/16-14	0.94
	30mm	136857	TB-SCEZ-30M-SHSS	1.13	38.6	97.5	38.1	76.2	81.8	39.9	42.9	22.4	7/16-14	23.9
207	1-1/4	136788	TB-SCEZ-104-SHSS	3.55	1.54	4.15	1.77	3.25	3.66	1.84	1.88	0.75	1/2-13	1.03
	1-7/16	136789	TB-SCEZ-107-SHSS	3.55	1.54	4.15	1.77	3.25	3.66	1.84	1.88	0.75	1/2-13	1.03
	35mm	136858	TB-SCEZ-35M-SHSS	1.61	39.1	105.4	45.0	82.6	93.0	46.7	47.6	19.1	1/2-13	26.2
208	1-1/2	136788	TB-SCEZ-104-SHSS	4.21	1.68	4.51	1.80	3.50	4.00	2.05	2.13	1.00	1/2-13	1.09
	40mm	136859	TB-SCEZ-40M-SHSS	1.91	42.7	114.6	45.7	88.9	101.6	52.1	54.0	25.4	1/2-13	27.7
210	1-15/16	136792	TB-SCEZ-115-SHSS	5.67	1.74	5.37	1.92	4.00	4.47	2.43	2.25	1.25	5/8-11	1.16
	2	136990	TB-SCEZ-200-SHSS	5.67	1.74	5.37	1.92	4.00	4.47	2.43	2.25	1.25	5/8-11	1.16
	50mm	136860	TB-SCEZ-50M-SHSS	2.57	44.2	136.4	48.8	101.6	113.5	61.7	57.2	31.8	5/8-11	29.5

Ultra Kleen mounted ball bearings

Selection/Dimensions

Ultra Kleen mounted ball bearings
SCEZ PSS normal duty polymer
housed 2-bolt flange bearings

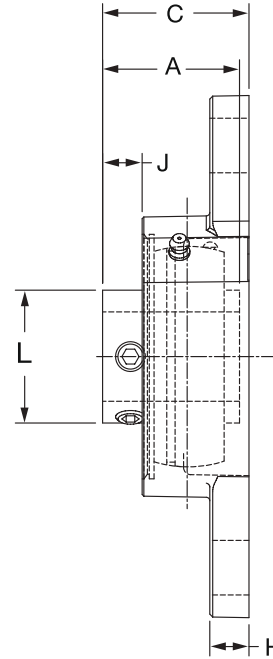
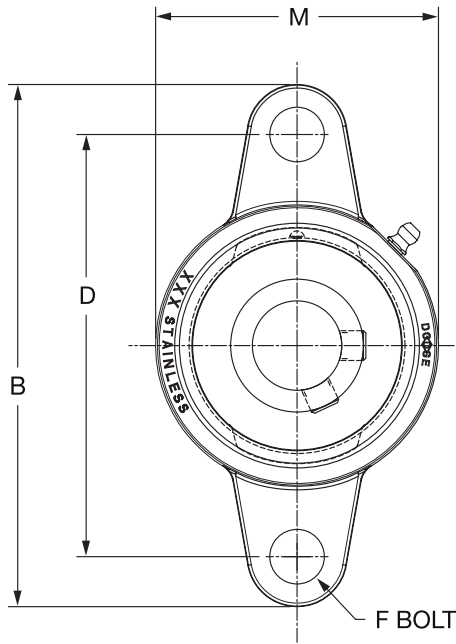
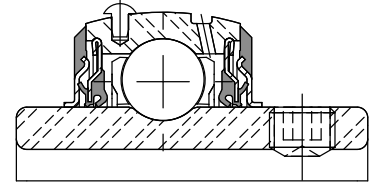


Series	Shaft size	With stainless steel insert		Weight lb kg	A	B	C	D	F bolt dia.	H	J	L	M
		Part No.	Description										
204	3/4	136710	F2B-SCEZ-012-PSS	0.40	1.23	4.45	1.44	3.54	3/8	0.53	0.32	1.11	2.35
	20mm	136751	F2B-SCEZ-20M-PSS	0.24	31.2	113.0	36.6	90.0	M10	13.5	8.1	28.2	59.7
205	1	136711	F2B-SCEZ-100-PSS	0.56	1.19	4.92	1.48	3.90	3/8	0.54	0.34	1.32	2.71
	25mm	136752	F2B-SCEZ-25M-PSS	0.28	30.2	125.0	37.6	99.0	M10	13.7	8.6	33.5	68.8
206	1-3/16	136712	F2B-SCEZ-103-PSS	0.86	1.52	5.58	1.69	4.59	3/8	0.60	0.45	1.57	3.19
	1-1/4	136713	F2B-SCEZ-104S-PSS	0.84	1.52	5.58	1.69	4.59	3/8	0.60	0.45	1.57	3.19
	30mm	136753	F2B-SCEZ-30M-PSS	0.39	38.6	141.7	42.9	116.5	M10	15.2	11.4	39.9	81.0
207	1-1/4	136714	F2B-SCEZ-104-PSS	1.36	1.54	6.31	1.81	5.12	1/2	0.62	0.53	1.84	3.69
	1-7/16	136715	F2B-SCEZ-107-PSS	1.24	1.54	6.31	1.81	5.12	1/2	0.62	0.53	1.84	3.69
	35mm	136754	F2B-SCEZ-35M-PSS	0.61	39.1	160.3	46.0	130.0	M12	15.7	13.5	46.7	93.7
208	1-1/2	136716	F2B-SCEZ-108-PSS	1.82	1.68	6.77	1.98	5.65	1/2	0.67	0.53	2.05	4.06
	40mm	136755	F2B-SCEZ-40M-PSS	0.76	42.7	172.0	50.3	143.5	M12	17.0	13.5	52.1	103.1
209	1-11/16	136717	F2B-SCEZ-111-PSS	2.00	1.71	7.07	2.02	5.85	9/16	0.72	0.56	2.22	4.31
	45mm	136756	F2B-SCEZ-45M-PSS	0.88	43.4	179.6	51.3	148.5	M14	18.3	14.2	56.4	109.5
210	1-15/16	136718	F2B-SCEZ-115-PSS	2.12	1.74	7.47	2.16	6.18	5/8	0.76	0.60	2.43	4.50
	2	136987	F2B-SCEZ-200-PSS	2.08	1.74	7.47	2.16	6.18	5/8	0.76	0.60	2.43	4.50
	50mm	136757	F2B-SCEZ-50M-PSS	0.96	44.2	189.7	54.9	157.0	M16	19.3	15.2	61.7	114.3

Ultra Kleen mounted ball bearings

Selection/Dimensions

Ultra Kleen mounted ball bearings
SCEZ SHSS normal duty stainless steel
housed 2-bolt flange bearings

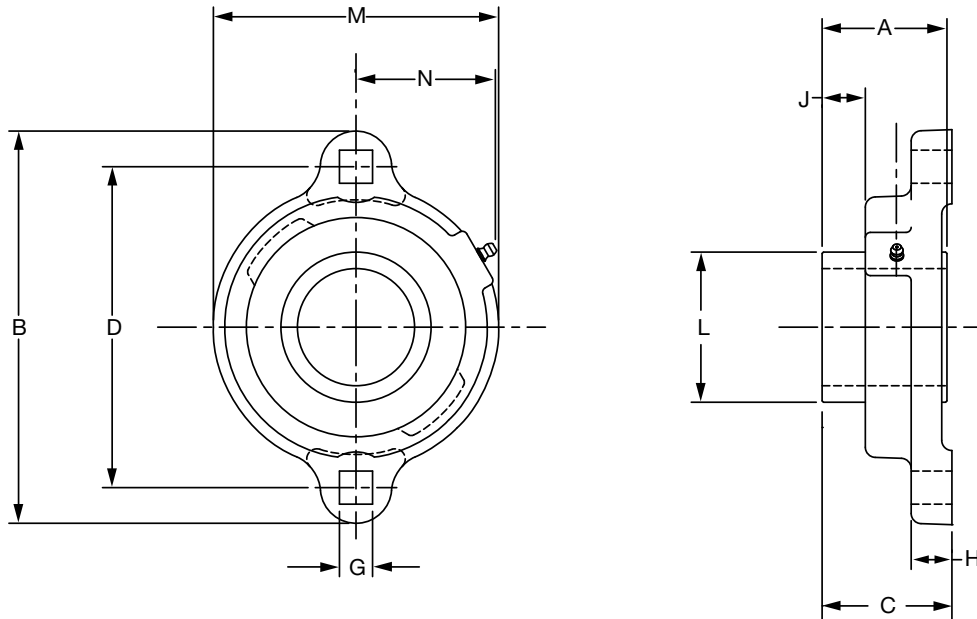
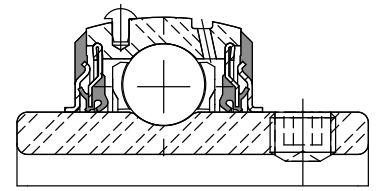


Series	Shaft size	With stainless steel insert		Weight lb kg	A	B	C	D	F Bolt Dia.	H	J	L	M
		Part No.	Description										
204	3/4	136793	F2B-SCEZ-012-SHSS	0.95	1.23	4.38	1.25	3.54	3/8	0.32	0.36	1.11	2.38
	20mm	136861	F2B-SCEZ-20M-SHSS	0.42	31.2	111.3	31.8	90.0	M10	8.1	9.1	28.2	60.5
205	1	136794	F2B-SCEZ-100-SHSS	1.21	1.19	4.89	1.35	3.89	3/8	0.35	0.37	1.32	2.63
	25mm	136862	F2B-SCEZ-25M-SHSS	0.55	30.2	124.2	34.3	98.8	M10	8.9	9.4	33.5	66.8
206	1-3/16	136795	F2B-SCEZ-103-SHSS	1.91	1.52	5.51	1.59	4.59	3/8	0.35	0.46	1.57	3.13
	1-1/4	136796	F2B-SCEZ-104S-SHSS	1.87	1.52	5.51	1.59	4.59	3/8	0.35	0.46	1.57	3.13
	30mm	136863	F2B-SCEZ-30M-SHSS	0.87	38.6	140.0	40.4	116.5	M10	8.9	11.7	39.9	79.5
207	1-1/4	136797	F2B-SCEZ-104-SHSS	2.64	1.54	6.18	1.75	5.12	1/2	0.42	0.53	1.84	3.50
	1-7/16	136798	F2B-SCEZ-107-SHSS	2.47	1.54	6.18	1.75	5.12	1/2	0.42	0.53	1.84	3.50
	35mm	136864	F2B-SCEZ-35M-SHSS	1.15	39.1	157.0	44.5	130.0	M12	10.7	13.5	46.7	88.9
208	1-1/2	136799	F2B-SCEZ-108-SHSS	3.40	1.68	6.71	1.88	5.65	1/2	0.42	0.53	2.05	3.84
	40mm	136865	F2B-SCEZ-40M-SHSS	1.50	42.7	170.4	47.8	143.5	M12	10.7	13.5	52.1	97.5
210	1-15/16	136800	F2B-SCEZ-115-SHSS	4.17	1.74	7.48	1.95	6.18	5/8	0.48	0.60	2.43	4.31
	2	136991	F2B-SCEZ-200-SHSS	4.13	1.74	7.48	1.95	6.18	5/8	0.48	0.60	2.43	4.31
	50mm	136866	F2B-SCEZ-50M-SHSS	1.87	44.2	190.0	49.5	157.0	M16	12.2	15.2	61.7	109.5

Ultra Kleen mounted ball bearings

Selection/Dimensions

Ultra Kleen mounted ball bearings
SCEZ SHSS LFT normal duty stainless steel
housed 2-bolt flange bearings

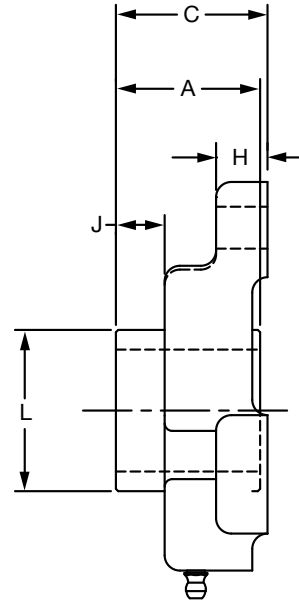
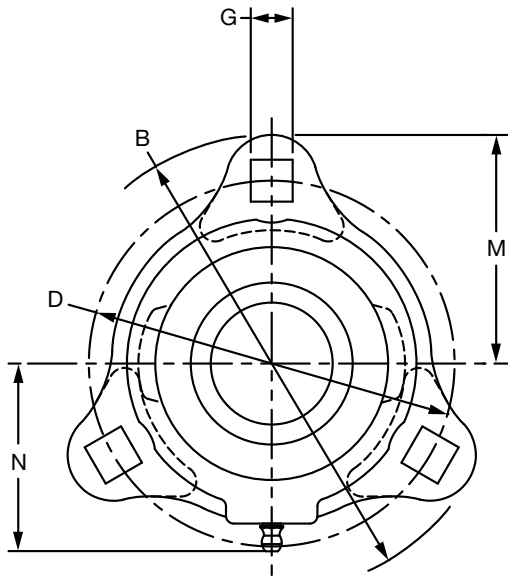
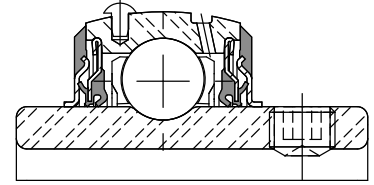


Series	Shaft size	Standard Part No.	Description	Weight lb kg	A	B	C	D	G	H	J	L	M	N
204	3/4	136817	LFT-SCEZ-012-SHSS	.68	1,23	3.56	1,25	2.81	0.34	0.58	0,37	1.11	2.38	1.34
	20mm	136879	LFT-SCEZ-20M-SHSS	.31	31,2	90.4	31,7	71.4	8.6	14.7	9,5	28.2	60.5	34.0
205	1	136818	LFT-SCEZ-100-SHSS	.84	1,34	3.75	1,36	3.00	0.34	0.50	0,39	1.32	2.63	1.44
	25mm	136880	LFT-SCEZ-25M-SHSS	.38	34,0	95.3	34,6	76.2	8.6	12.7	10,0	33.5	66.8	36.6
206	1-3/16	136819	LFT-SCEZ-103-SHSS	1.88	1,52	4.44	1,60	3.56	0.41	0.61	0,51	1.57	3.25	1.72
	1-1/4	136820	LFT-SCEZ-104S-SHSS	1.88	1,52	4.44	1,60	3.56	0.41	0.61	0,51	1.57	3.25	1.72
	30mm	136881	LFT-SCEZ-30M-SHSS	.85	38,6	112.8	40,5	90.4	10.4	15.5	13,0	39.9	82.6	43.7
207	1-1/4	136821	LFT-SCEZ-104-SHSS	1.77	1,71	4.81	1,74	3.94	0.41	0.67	0,55	1.84	3.50	1.83
	1-7/16	136822	LFT-SCEZ-107-SHSS	1.77	1,71	4.81	1,74	3.94	0.41	0.67	0,55	1.84	3.50	1.83
	35mm	136882	LFT-SCEZ-35M-SHSS	.80	43,4	122.2	44,3	100.1	10.4	17.1	13,9	46.7	88.9	46.5

Ultra Kleen mounted ball bearings

Selection/Dimensions

Ultra Kleen mounted ball bearings
SCEZ SHSS LF normal duty stainless steel
housed 3-bolt flange bearings

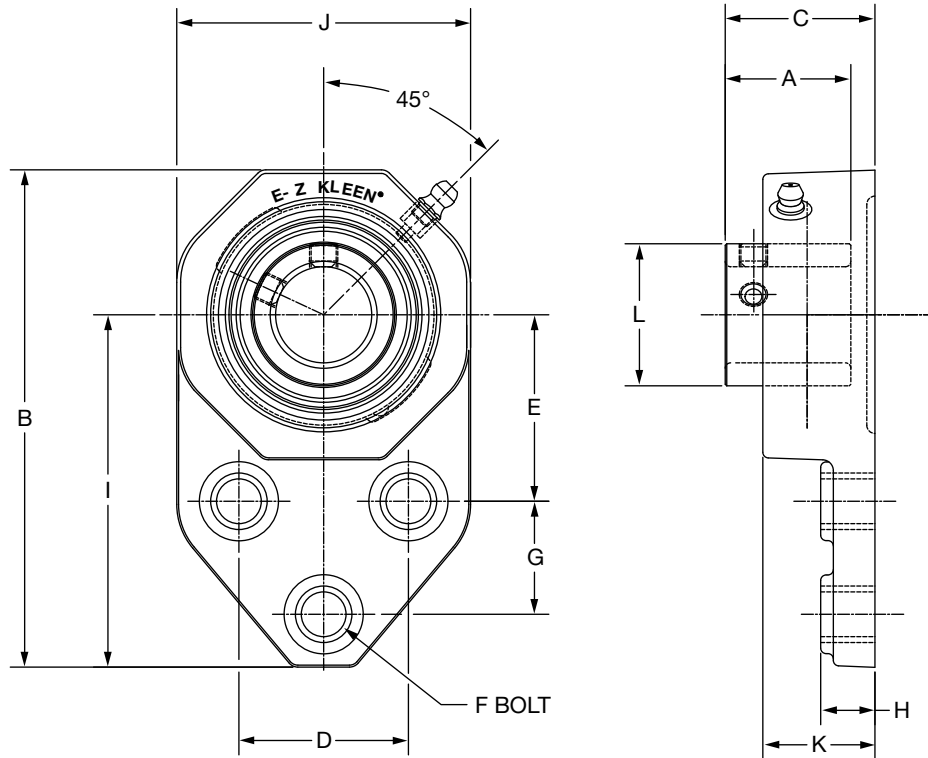


Series	Shaft size	Standard		Weight		A	B	C	D	G	H	J	L	M	N
		Part No.	Description	lb	kg										
204	3/4	136809	LF-SCEZ-012-SHSS	.64		1.23	3.56	1.22	2.81	0.34	0.42	0.37	1.11	1.78	1.55
	20mm	136873	LF-SCEZ-20M-SHSS	.29		31.2	90.4	31.0	71.4	8.6	10.7	9.4	28.2	45.2	39.4
205	1	136810	LF-SCEZ-100-SHSS	.80		1.19	3.75	1.25	3.00	0.34	0.42	0.37	1.32	1.88	1.67
	25mm	136874	LF-SCEZ-25M-SHSS	.36		30.2	95.3	31.8	76.2	8.6	10.7	9.4	33.5	47.8	42.4
206	1-3/16	136811	LF-SCEZ-103-SHSS	1.09		1.52	4.44	1.50	3.56	0.41	0.47	0.51	1.57	2.22	1.98
	1-1/4	136812	LF-SCEZ-104S-SHSS	1.09		1.52	4.44	1.50	3.56	0.41	0.47	0.51	1.57	2.22	1.98
	30mm	136875	LF-SCEZ-30M-SHSS	.54		38.6	112.8	38.1	90.4	10.4	11.9	13.0	39.9	56.4	50.3
207	1-1/4	136813	LF-SCEZ-104-SHSS	1.73		1.54	4.81	1.60	3.94	0.41	0.50	0.53	1.84	2.41	2.09
	1-7/16	136814	LF-SCEZ-107-SHSS	1.73		1.54	4.81	1.60	3.94	0.41	0.50	0.53	1.84	2.41	2.09
	35mm	136876	LF-SCEZ-35M-SHSS	.79		39.1	122.2	40.6	100.1	10.4	12.7	13.5	46.7	61.2	53.1

Ultra Kleen mounted ball bearings

Selection/Dimensions

Ultra Kleen mounted ball bearings
SCEZ PSS normal duty polymer
housed flange bracket

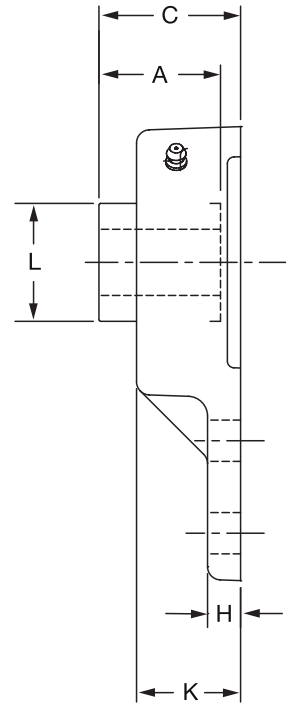
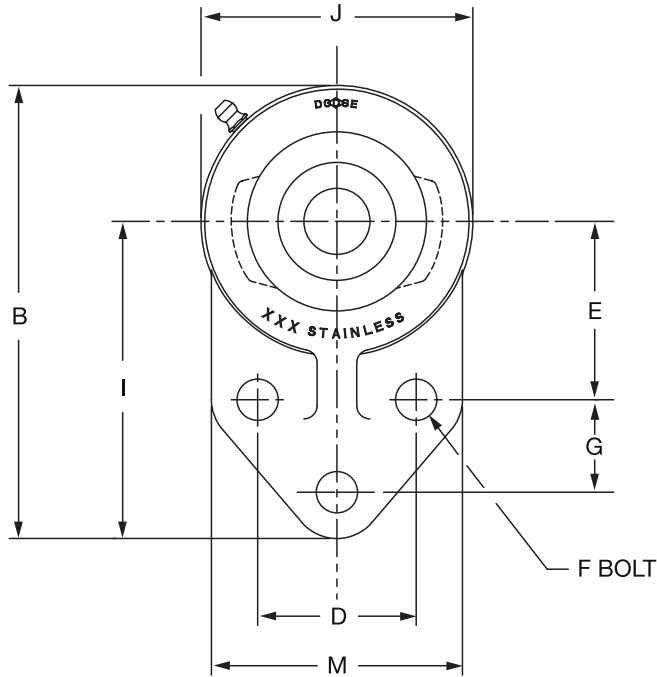
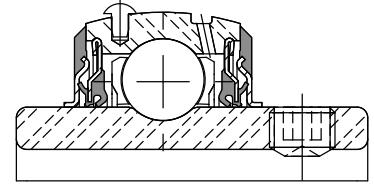


Series	Shaft size	With stainless steel insert		Weight lb kg	A	B	C	D	E	F Bolt Dia.	G	H	I	J	K	L
		Part No.	Description													
204	3/4	136719	FB-SCEZ-012-PSS	0.47	1.23	4.39	1.44	1.50	1.69	3/8	0.88	0.53	3.22	2.34	1.12	1.11
	20mm	136758	FB-SCEZ-20M-PSS	0.23	31.2	111.5	36.6	38.1	42.9	M10	22.4	13.5	81.8	59.4	28.4	28.2
205	1	136720	FB-SCEZ-100-PSS	0.69	1.19	4.91	1.48	1.63	1.81	3/8	1.13	0.54	3.56	2.71	1.14	1.32
	25mm	136759	FB-SCEZ-25M-PSS	0.32	30.2	124.7	37.6	41.4	46.0	M10	28.7	13.7	90.4	68.8	29.0	33.5
206	1-3/16	136721	FB-SCEZ-103-PSS	1.07	1.52	5.48	1.69	1.88	2.06	3/8	1.25	0.60	3.88	3.20	1.24	1.57
	1-1/4	136722	FB-SCEZ-104S-PSS	1.05	1.52	5.48	1.69	1.88	2.06	3/8	1.25	0.60	3.88	3.20	1.24	1.57
	30mm	136760	FB-SCEZ-30M-PSS	0.48	38.6	139.2	42.9	47.8	52.3	M10	31.8	15.2	98.6	81.3	31.5	39.9
207	1-1/4	136723	FB-SCEZ-104-PSS	1.87	1.54	6.11	1.81	2.00	2.38	1/2	1.25	0.62	4.26	3.69	1.28	1.84
	1-7/16	136724	FB-SCEZ-107-PSS	1.71	1.54	6.11	1.81	2.00	2.38	1/2	1.25	0.62	4.26	3.69	1.28	1.84
	35mm	136761	FB-SCEZ-35M-PSS	0.83	39.1	155.2	46.0	50.8	60.5	M12	31.8	15.7	108.2	93.7	32.5	46.7

Ultra Kleen mounted ball bearings

Selection/Dimensions

Ultra Kleen mounted ball bearings
SCEZ SHSS normal duty stainless steel
housed flange bracket bearings



Series	Shaft Size	With stainless steel insert	
		Part No.	Description
204	3/4	136801	FB-SCEZ-012-SHSS
	20mm	136867	FB-SCEZ-20M-SHSS
205	1	136802	FB-SCEZ-100-SHSS
	25mm	136868	FB-SCEZ-25M-SHSS
206	1-3/16	136803	FB-SCEZ-103-SHSS
	1-1/4	136804	FB-SCEZ-104S-SHSS
	30mm	136869	FB-SCEZ-30M-SHSS
207	1-1/4	136805	FB-SCEZ-104-SHSS
	1-7/16	136806	FB-SCEZ-107-SHSS
	35mm	136870	FB-SCEZ-35M-SHSS
210	1-15/16	136808	FB-SCEZ-115-SHSS
	2	136992	FB-SCEZ-200-SHSS
	50mm	136872	FB-SCEZ-50M-SHSS

Ultra Kleen mounted ball bearings

Selection/Dimensions

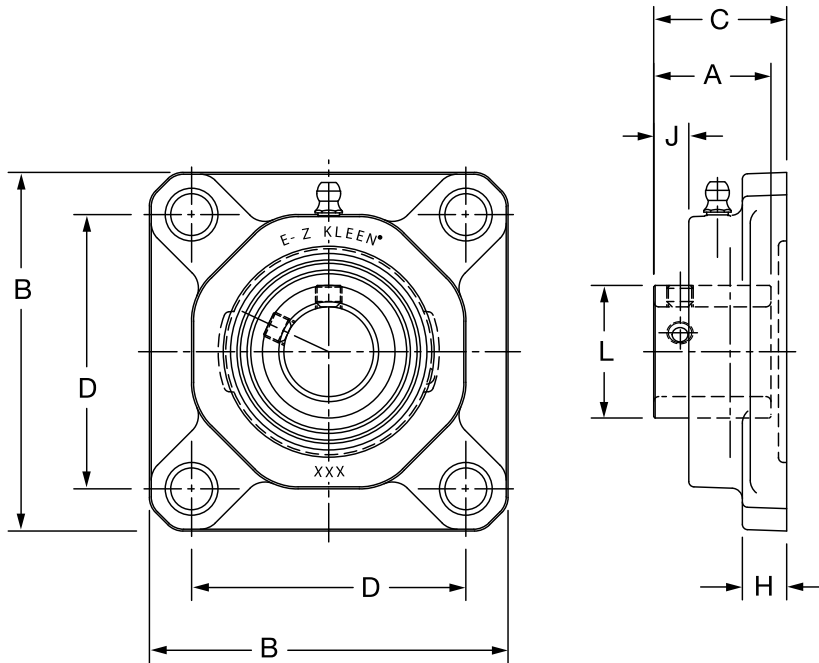
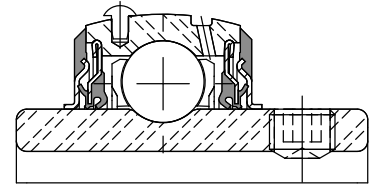
Ultra Kleen mounted ball bearings
SCEZ SHSS normal duty stainless steel
housed flange bracket bearings

Series	Shaft Size	Weight lb kg	A	B	C	D	E	F Bolt Dia	G	H	I	J	K	L	M
204	3/4	1.00	1.23	4.19	1.25	1.50	1.69	3/8	0.88	0.31	3.00	2.38	0.90	1.11	2.38
	20mm	.45	31.2	106.4	31.8	38.1	42.9	M10	22.4	7.9	76.2	60.5	22.9	28.2	60.5
205	1	1.26	1.19	4.69	1.35	1.63	1.81	3/8	1.13	0.38	3.38	2.63	0.98	1.32	2.50
	25mm	.52	30.2	119.1	34.3	41.4	46.0	M10	28.7	9.7	85.9	66.8	24.9	33.5	63.5
206	1-3/16	1.95	1.52	5.31	1.59	1.88	2.06	3/8	1.25	0.38	3.75	3.13	1.14	1.57	2.75
	1-1/4	1.95	1.52	5.31	1.59	1.88	2.06	3/8	1.25	0.38	3.75	3.13	1.14	1.57	2.75
	30mm	.89	38.6	134.9	40.4	47.8	52.3	M10	31.8	9.7	95.3	79.5	29.0	39.9	69.9
207	1-1/4	2.87	1.54	6.00	1.75	2.00	2.38	1/2	1.25	0.50	4.25	3.50	1.22	1.84	3.25
	1-7/16	2.87	1.54	6.00	1.75	2.00	2.38	1/2	1.25	0.50	4.25	3.50	1.22	1.84	3.25
	35mm	1.3	39.1	152.4	44.5	50.8	60.5	M12	31.8	12.7	108.0	88.9	31.0	46.7	82.6
210	1-15/16	4.43	1.74	7.34	1.95	2.75	2.94	1/2	1.63	0.50	5.19	4.31	1.35	2.43	4.00
	2	4.43	1.74	7.34	1.95	2.75	2.94	1/2	1.63	0.50	5.19	4.31	1.35	2.43	4.00
	50mm	2.01	44.2	186.4	49.5	69.9	74.7	M12	41.4	12.7	131.8	109.5	34.3	61.7	101.6

Ultra Kleen mounted ball bearings

Selection/Dimensions

Ultra Kleen mounted ball bearings
SCEZ PSS normal duty polymer
housed 4-bolt flange bearings

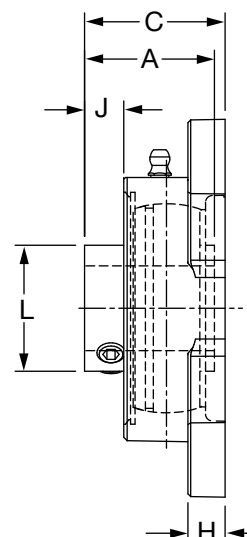
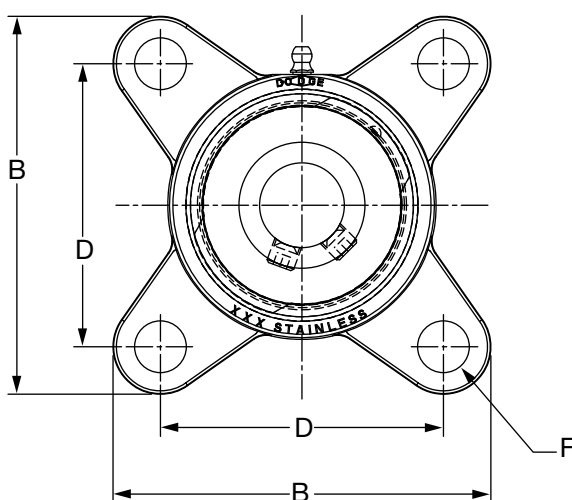
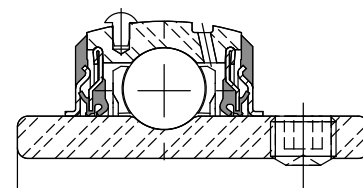


Series	Shaft size	With stainless steel insert		Weight lb kg	A	B	C	D	F Bolt dia.	H	J	L
		Part No.	Description									
204	3/4	136725	F4B-SCEZ-012-PSS	0.55	1.23	3.38	1.46	2.50	3/8	0.53	0.30	1.11
	20mm	136762	F4B-SCEZ-20M-PSS	0.27	31.2	85.9	37.1	63.5	M10	13.5	7.6	28.2
205	1	136726	F4B-SCEZ-100-PSS	0.67	1.19	3.75	1.50	2.75	3/8	0.54	0.34	1.32
	25mm	136763	F4B-SCEZ-25M-PSS	0.32	30.2	95.3	38.1	69.9	M10	13.7	8.6	33.5
206	1-3/16	136727	F4B-SCEZ-103-PSS	0.86	1.52	4.25	1.72	3.25	3/8	0.60	0.45	1.57
	1-1/4	136728	F4B-SCEZ-104S-PSS	0.84	1.52	4.25	1.72	3.25	3/8	0.60	0.45	1.57
	30mm	136764	F4B-SCEZ-30M-PSS	0.39	38.6	108.0	43.7	82.6	M10	15.2	11.4	39.9
207	1-1/4	136729	F4B-SCEZ-104-PSS	1.40	1.54	4.65	1.83	3.63	1/2	0.62	0.52	1.84
	1-7/16	136730	F4B-SCEZ-107-PSS	1.24	1.54	4.65	1.83	3.63	1/2	0.62	0.52	1.84
	35mm	136765	F4B-SCEZ-35M-PSS	0.61	39.1	118.1	46.5	92.1	M12	15.7	13.2	46.7
208	1-1/2	136731	F4B-SCEZ-108-PSS	1.82	1.68	5.12	2.00	4.00	1/2	0.67	0.52	2.05
	40mm	136766	F4B-SCEZ-40M-PSS	0.76	42.7	130.0	50.8	101.6	M12	17.0	13.2	52.1
209	1-11/16	136732	F4B-SCEZ-111-PSS	2.00	1.71	5.38	2.04	4.13	9/16	0.72	0.56	2.22
	45mm	136767	F4B-SCEZ-45M-PSS	0.88	43.4	136.7	51.8	104.8	M14	18.3	14.2	56.4
210	1-15/16	136733	F4B-SCEZ-115-PSS	2.12	1.74	5.62	2.21	4.38	5/8	0.76	0.60	2.43
	2	136988	F4B-SCEZ-200-PSS	2.03	1.74	5.62	2.21	4.38	5/8	0.76	0.60	2.43
	50mm	136768	F4B-SCEZ-50M-PSS	0.96	44.2	142.7	56.1	111.2	M16	19.3	15.2	61.7

Ultra Kleen mounted ball bearings

Selection/Dimensions

Ultra Kleen mounted ball bearings
SCEZ SHSS normal duty stainless steel
housed 4-bolt flange bearings

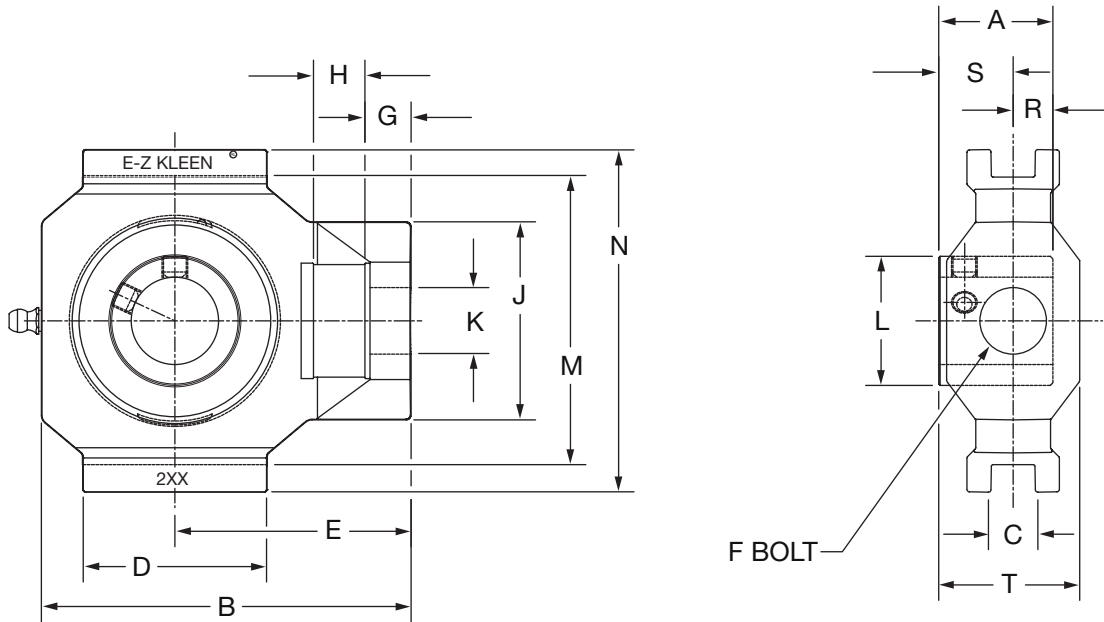
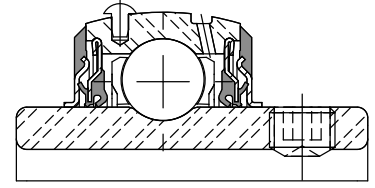


Series	Shaft size	With stainless steel insert		Weight lb kg	A	B	C	D	F Bolt dia.	H	J	L
		Part No.	Description									
204	3/4	136825	F4B-SCEZ-012-SHSS	1.08	1.23	3.35	1.25	2.51	3/8	0.34	0.34	1.11
	20mm	136885	F4B-SCEZ-20M-SHSS	0.49	31.2	85.1	31.8	63.6	M10	8.6	8.6	28.2
205	1	136826	F4B-SCEZ-100-SHSS	1.39	1.19	3.75	1.35	2.75	3/8	0.37	0.35	1.32
	25mm	136886	F4B-SCEZ-25M-SHSS	0.63	30.2	95.3	34.3	69.9	M10	9.4	8.9	33.5
206	1-3/16	136827	F4B-SCEZ-103-SHSS	2.09	1.52	4.16	1.59	3.24	3/8	0.37	0.45	1.57
	1-1/4	136828	F4B-SCEZ-104S-SHSS	2.05	1.52	4.16	1.59	3.24	3/8	0.37	0.45	1.57
	30mm	136887	F4B-SCEZ-30M-SHSS	0.95	38.6	105.7	40.4	82.4	M10	9.4	11.4	39.9
207	1-1/4	136829	F4B-SCEZ-104-SHSS	2.95	1.54	4.68	1.75	3.62	1/2	0.42	0.53	1.84
	1-7/16	136830	F4B-SCEZ-107-SHSS	2.78	1.54	4.68	1.75	3.62	1/2	0.42	0.53	1.84
	35mm	136888	F4B-SCEZ-35M-SHSS	1.29	39.1	118.9	44.5	92.0	M12	10.7	13.5	46.7
208	1-1/2	136831	F4B-SCEZ-108-SHSS	3.70	1.68	5.06	1.88	4.00	1/2	0.43	0.52	2.05
	40mm	136889	F4B-SCEZ-40M-SHSS	1.64	42.7	128.5	47.8	101.5	M12	10.9	13.2	52.1
210	1-15/16	136832	F4B-SCEZ-115-SHSS	4.60	1.74	5.67	1.95	4.37	5/8	0.49	0.59	2.43
	2	136993	F4B-SCEZ-200-SHSS	4.56	1.74	5.67	1.95	4.37	5/8	0.49	0.59	2.43
	50mm	136890	F4B-SCEZ-50M-SHSS	2.07	44.2	144.0	49.5	111.0	M16	12.4	15.0	61.7

Ultra Kleen mounted ball bearings

Selection/Dimensions

Ultra Kleen mounted ball bearings
SCEZ PSS normal duty polymer
housed wide slot take-up bearings



Series	Shaft size	With stainless steel insert	
		Part No.	Description
204	3/4	136734	WSTU-SCEZ-012-PSS
	20mm	136769	WSTU-SCEZ-20M-PSS
205	1	136735	WSTU-SCEZ-100-PSS
	25mm	136770	WSTU-SCEZ-25M-PSS
206	1-3/16	136736	WSTU-SCEZ-103-PSS
	1-1/4	136737	WSTU-SCEZ-104S-PSS
	30mm	136771	WSTU-SCEZ-30M-PSS
207	1-1/4	136738	WSTU-SCEZ-104-PSS
	1-7/16	136739	WSTU-SCEZ-107-PSS
	35mm	136772	WSTU-SCEZ-35M-PSS

Ultra Kleen mounted ball bearings

Selection/Dimensions

Ultra Kleen mounted ball bearings
SCEZ PSS normal duty polymer
housed wide slot take-up bearings

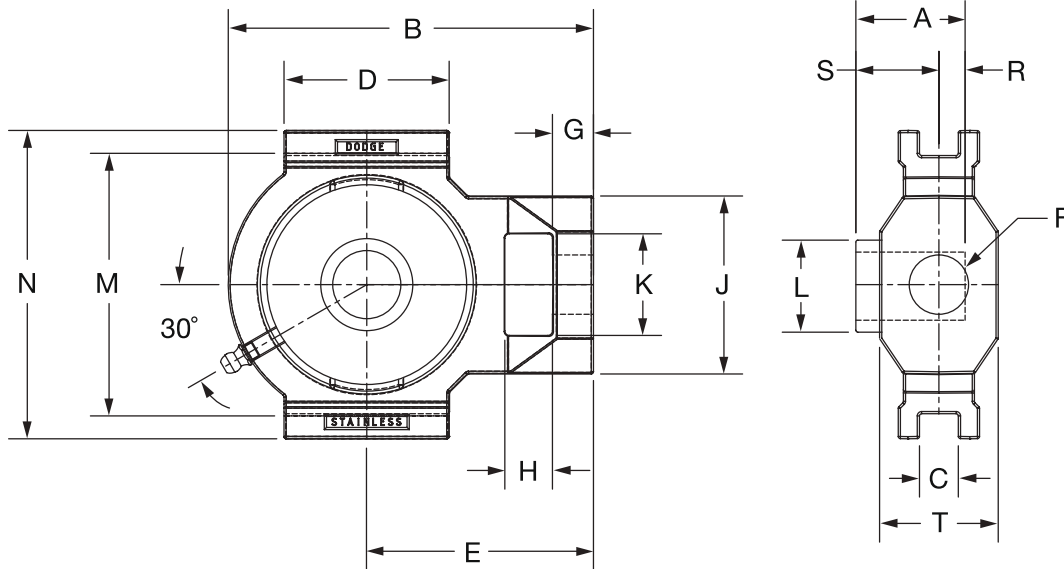
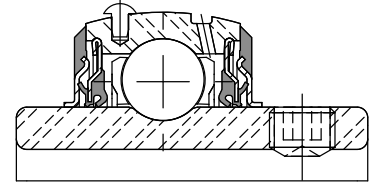
Series	Shaft size	Weight lb kg	Take-up frame No. ref.	A	B	C	D	E	F threaded shaft	G
204	3/4	0.66	WS300	1.23	3.81	0.530	2.10	2.50	5/8	0.56
	20mm	0.31	WS300	31.2	96.8	13.46	53.3	63.5	15.9	14.2
205	1	0.72	WS300	1.19	3.97	0.530	2.20	2.56	5/8	0.56
	25mm	0.34	WS300	30.2	100.8	13.46	55.9	65.0	15.9	14.2
206	1-3/16		WS308	1.52	4.49	0.530	2.29	2.86	3/4	0.56
	1-1/4	1.07	WS308	1.52	4.49	0.530	2.29	2.86	3/4	0.56
	30mm	0.49	WS308	38.6	114.0	13.46	58.2	72.6	19.1	14.2
207	1-1/4	1.58	WS308	1.54	4.99	0.530	2.25	3.10	3/4	0.56
	1-7/16	1.42	WS308	1.54	4.99	0.530	2.25	3.10	3/4	0.56
	35mm	0.69	WS308	39.1	126.7	13.46	57.2	78.7	19.1	14.2

Series	Shaft size	H	J	K	L	M	N	R	S	T
204	3/4	0.65	2.10	0.71	1.11	3.015/2.985	3.63	0.50	0.73	1.38
	20mm	16.5	53.3	18.0	28.2	76.58/75.82	92.2	12.7	18.5	35.1
205	1	0.65	2.12	0.71	1.32	3.030/3.000	3.63	0.43	0.76	1.38
	25mm	16.5	53.8	18.0	33.5	76.96/76.20	92.2	10.9	19.3	35.1
206	1-3/16	0.65	2.41	0.81	1.57	3.525/3.495	4.20	0.58	0.94	1.62
	1-1/4	0.65	2.41	0.81	1.57	3.525/3.495	4.20	0.58	0.94	1.62
	30mm	16.5	61.2	20.6	39.9	89.54/88.77	106.7	14.7	23.9	41.1
207	1-1/4	0.65	2.41	0.81	1.84	3.540/3.510	4.20	0.51	1.03	1.62
	1-7/16	0.65	2.41	0.81	1.84	3.540/3.510	4.20	0.51	1.03	1.62
	35mm	16.5	61.2	20.6	46.7	89.93/89.15	106.7	13.0	26.2	41.1

Ultra Kleen mounted ball bearings

Selection/Dimensions

Ultra Kleen mounted ball bearings
SCEZ SHSS normal duty stainless steel
housed wide slot take-up bearings



Series	Shaft size	Standard part No.	Description
204	3/4	136841	WSTU-SCEZ-012-SHSS
	20mm	136897	WSTU-SCEZ-20M-SHSS
205	1	136842	WSTU-SCEZ-100-SHSS
	25mm	136898	WSTU-SCEZ-25M-SHSS
206	1-3/16	136843	WSTU-SCEZ-103-SHSS
	1-1/4	136844	WSTU-SCEZ-104S-SHSS
207	30mm	136899	WSTU-SCEZ-30M-SHSS
	1-1/4	136845	WSTU-SCEZ-104-SHSS
208	1-7/16	136846	WSTU-SCEZ-107-SHSS
	35mm	136900	WSTU-SCEZ-35M-SHSS
210	1-1/2	136847	WSTU-SCEZ-108-SHSS
	40mm	136901	WSTU-SCEZ-40M-SHSS
210	1-15/16	136848	WSTU-SCEZ-115-SHSS
	2	136995	WSTU-SCEZ-200-SHSS
	50mm	136902	WSTU-SCEZ-50M-SHSS

Ultra Kleen mounted ball bearings

Selection/Dimensions

Ultra Kleen mounted ball bearings
SCEZ SHSS normal duty stainless steel
housed wide slot take-up bearings

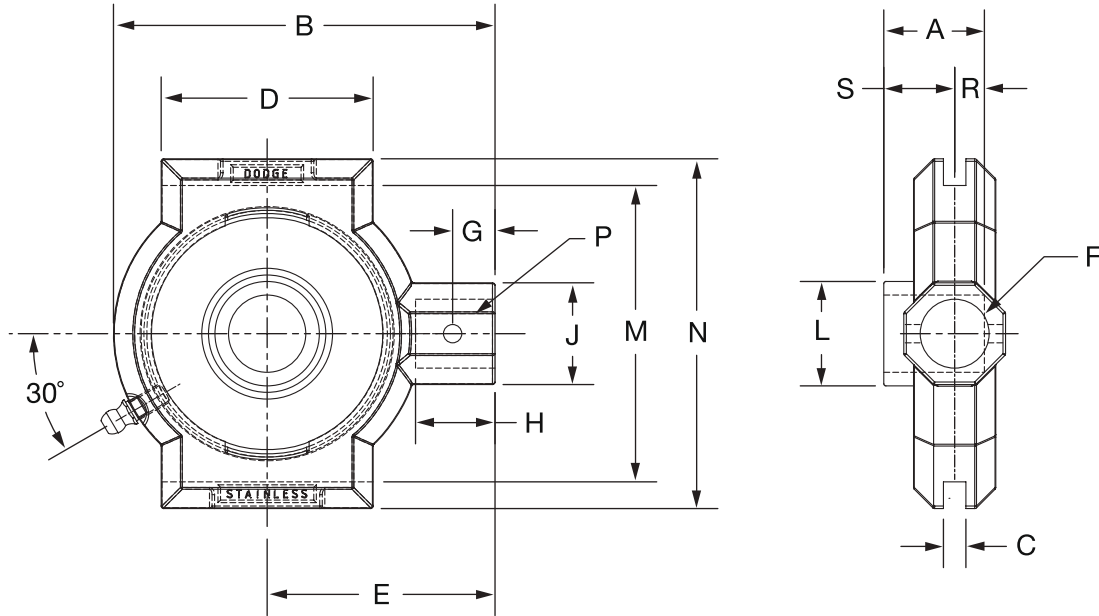
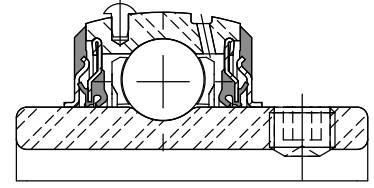
Series	Shaft size	Weight lb kg	Take-up frame No. ref.	A	B	C	D	E	F Screw dia.	G
204	3/4	2.14	WS300	1.23	3.97	0.530	2.20	2.56	5/8	0.56
	20mm	.97	WS300	31.2	100.8	13.46	55.9	65.0	15.9	14.2
205	1	2.03	WS300	1.19	3.97	0.530	2.20	2.56	5/8	0.56
	25mm	.92	WS300	30.2	100.8	13.46	55.9	65.0	15.9	14.2
206	1-3/16	3.36	WS308	1.52	4.99	0.530	2.26	3.10	3/4	0.56
	1-1/4	3.36	WS308	1.52	4.99	0.530	2.26	3.10	3/4	0.56
	30mm	1.52	WS308	38.6	126.7	13.46	57.4	78.7	19.1	14.2
207	1-1/4	3.21	WS308	1.54	4.99	0.530	2.26	3.10	3/4	0.56
	1-7/16	3.21	WS308	1.54	4.99	0.530	2.26	3.10	3/4	0.56
	35mm	1.46	WS308	39.1	126.7	13.46	57.4	78.7	19.1	14.2
208	1-1/2	4.52	WS400	1.68	5.63	0.688	3.25	3.50	1	0.63
	40mm	2.1	WS400	42.7	143.0	17.48	82.6	88.9	25.4	16.0
210	1-15/16	4.03	WS400	1.74	5.63	0.688	3.25	3.50	1	0.63
	2	4.03	WS400	1.74	5.63	0.688	3.25	3.50	1	0.63
	50mm	1.83	WS400	44.2	143.0	17.48	82.6	88.9	25.4	16.0

Series	Shaft size	H	J	K	L	M	N	R	S	T
204	3/4	0.65	2.12	1.15	1.11	3.025/2.995	3.63	0.50	0.73	1.38
	20mm	16.5	53.8	29.2	28.2	76.84/76.07	92.2	12.7	18.5	35.1
205	1	0.65	2.12	1.15	1.32	3.025/2.995	3.63	0.43	0.76	1.38
	25mm	16.5	53.8	29.2	33.5	76.84/76.07	92.2	10.9	19.3	35.1
206	1-3/16	0.65	2.43	1.39	1.57	3.540/3.510	4.20	0.58	0.94	1.62
	1-1/4	0.65	2.43	1.39	1.57	3.540/3.510	4.20	0.58	0.94	1.62
	30mm	16.5	61.7	35.3	39.9	89.92/89.15	106.7	14.7	23.9	41.1
207	1-1/4	0.65	2.43	1.39	1.84	3.540/3.510	4.20	0.51	1.03	1.62
	1-7/16	0.65	2.43	1.39	1.84	3.540/3.510	4.20	0.51	1.03	1.62
	35mm	16.5	61.7	35.3	46.7	89.92/89.15	106.7	13.0	26.2	41.1
208	1-1/2	0.75	2.75	1.94	2.05	4.015/3.985	4.50	0.59	1.09	1.62
	40mm	19.1	69.9	49.3	52.1	101.98/101.22	114.3	15.0	27.7	41.1
210	1-15/16	0.75	2.75	1.94	2.43	4.015/3.985	4.50	0.58	1.16	1.62
	2	0.75	2.75	1.94	2.43	4.015/3.985	4.50	0.58	1.16	1.62
	50mm	19.1	69.9	49.3	61.7	101.98/101.22	114.3	14.7	29.5	41.1

Ultra Kleen mounted ball bearings

Selection/Dimensions

Ultra Kleen mounted ball bearings
SCEZ SHSS normal duty stainless steel
housed narrow slot take-up bearings



Series	Shaft size	Standard	
		Part No.	Description
204S	3/4	136833	NSTU-SCEZ-012-SHSS
	20mm	136891	NSTU-SCEZ-20M-SHSS
205	1	136834	NSTU-SCEZ-100-SHSS
	25mm	136892	NSTU-SCEZ-25M-SHSS
206	1-3/16	136835	NSTU-SCEZ-103-SHSS
	1-1/4	136836	NSTU-SCEZ-104S-SHSS
	30mm	136893	NSTU-SCEZ-30M-SHSS
207	1-1/4	136837	NSTU-SCEZ-104-SHSS
	1-7/16	136838	NSTU-SCEZ-107-SHSS
	35mm	136894	NSTU-SCEZ-35M-SHSS
208	1-1/2	136839	NSTU-SCEZ-108-SHSS
	40mm	136895	NSTU-SCEZ-40M-SHSS
210	1-15/16	136840	NSTU-SCEZ-115-SHSS
	2	136994	NSTU-SCEZ-200-SHSS
	50mm	136896	NSTU-SCEZ-50M-SHSS

Ultra Kleen mounted ball bearings

Selection/Dimensions

Ultra Kleen mounted ball bearings
SCEZ SHSS normal duty stainless steel
housed narrow slot take-up bearings

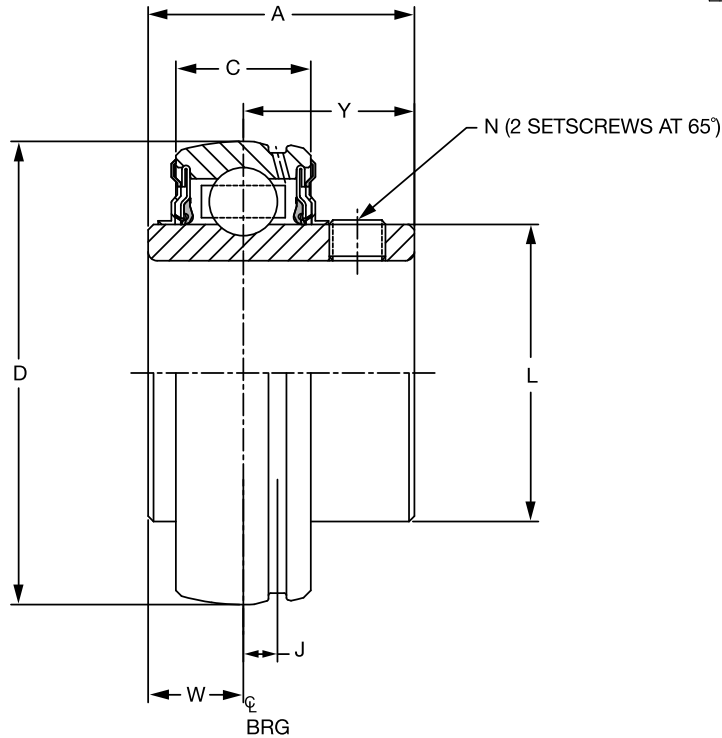
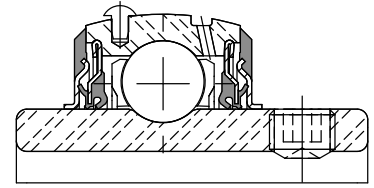
Series	Shaft size	Weight lb kg	Take-Up Frame No. Ref.	A	B	C	D	E	F Screw Dia	G
204	3/4	1.16	NS210	1.23	3.49	0.265	1.50	2.19	3/4	0.44
	20mm	.53	NS210	31.2	88.6	6.73	38.1	55.6	19.1	11.2
205	1	1.06	NS210	1.19	3.49	0.265	1.50	2.19	3/4	0.44
	25mm	.48	NS210	30.2	88.6	6.73	38.1	55.6	19.1	11.2
206	1-3/16	2.51	NS308	1.52	4.50	0.265	2.50	2.69	3/4	0.50
	1-1/4	2.51	NS308	1.52	4.50	0.265	2.50	2.69	3/4	0.50
	30mm	1.14	NS308	38.6	114.3	6.73	63.5	68.3	19.1	12.7
207	1-1/4	2.65	NS308	1.54	4.50	0.265	2.50	2.69	3/4	0.50
	1-7/16	2.65	NS308	1.54	4.50	0.265	2.50	2.69	3/4	0.50
	35mm	1.20	NS308	39.1	114.3	6.73	63.5	68.3	19.1	12.7
208	1-1/2	4.08	NS400	1.68	5.38	0.328	3.00	3.25	1	0.66
	40mm	1.85	NS400	42.7	136.7	8.33	76.2	82.6	25.4	16.8
210	1-15/16	3.79	NS400	1.74	5.50	0.328	3.00	3.25	1	0.66
	2	3.79	NS400	1.74	5.50	0.328	3.00	3.25	1	0.66
	50mm	1.72	NS400	44.2	139.7	8.33	76.2	82.6	25.4	16.8

Series	Shaft size	H	J	L	M	N	Pin Dia	R	S
204	3/4	0.88	1.20	1.11	2.635/2.605	3.13	0.32	0.50	0.73
	20mm	22.4	30.5	28.2	66.93/66.17	79.5	8.1	12.7	18.5
205	1	0.88	1.20	1.32	2.635/2.605	3.13	0.32	0.43	0.76
	25mm	22.4	30.5	33.5	66.93/66.17	79.5	8.1	10.9	19.3
206	1-3/16	0.94	1.20	1.57	3.510/3.480	4.13	0.32	0.58	0.94
	1-1/4	0.94	1.20	1.57	3.510/3.480	4.13	0.32	0.58	0.94
	30mm	23.9	30.5	39.9	89.15/88.39	104.9	8.1	14.7	23.9
207	1-1/4	0.94	1.20	1.84	3.510/3.480	4.13	0.32	0.51	1.03
	1-7/16	0.94	1.20	1.84	3.510/3.480	4.13	0.32	0.51	1.03
	35mm	23.9	30.5	46.7	89.15/88.39	104.9	8.1	13.0	26.2
208	1-1/2	1.16	1.50	2.05	4.015/3.985	4.75	0.38	0.59	1.09
	40mm	29.5	38.1	52.1	101.98/101.22	120.7	9.7	15.0	27.7
210	1-15/16	1.16	1.50	2.43	4.015/3.985	4.75	0.38	0.58	1.16
	2	1.16	1.50	2.43	4.015/3.985	4.75	0.38	0.58	1.16
	50mm	29.5	38.1	61.7	101.98/101.22	120.7	9.7	14.7	29.5

Ultra Kleen mounted ball bearings

Selection/Dimensions

Ultra Kleen mounted ball bearings
 SC normal duty bearing stainless steel
 inserts for Ultra Kleen bearings

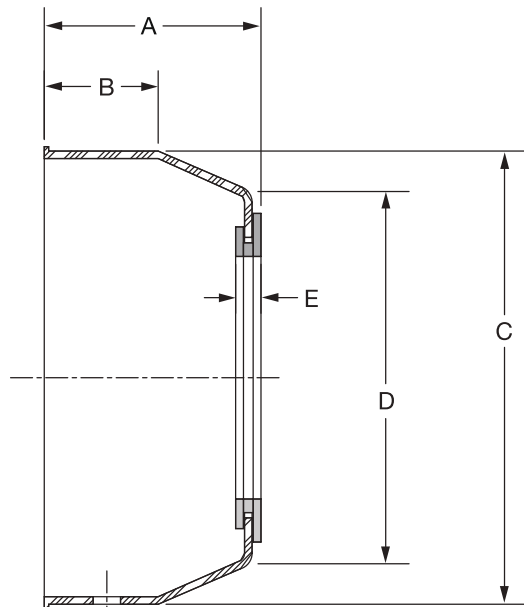
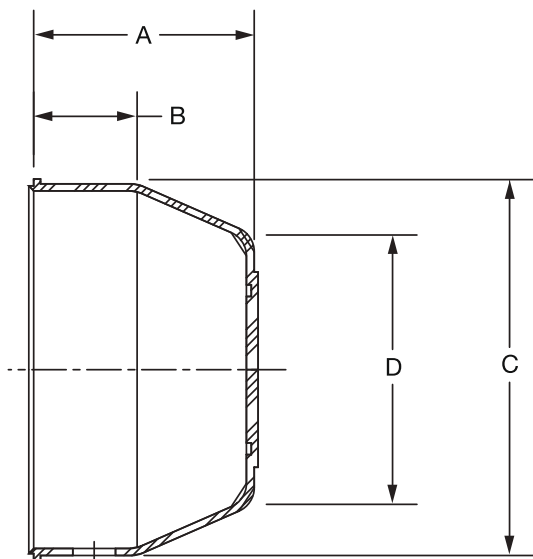


Series	Shaft size	Stainless steel Insert		Weight lb kg	A	C	D	J	L	N	W	Y
		Part No.	Description									
204	3/4	127818	INS-SC-012-SS	.32	1.23	0.58	1.8504	0.15	1.11	1/4-28	0.50	0.73
	20mm	127861	INS-SC-20M-SS	.16	31.2	14.8	47.000	3.8	28.2	M6x1	12.7	18.5
205	1	127819	INS-SC-100-SS	.37	1.19	0.59	2.0472	0.15	1.32	1/4-28	0.43	0.76
	25mm	127862	INS-SC-25M-SS	.18	30.2	15.0	52.000	3.8	33.5	M6x1	10.9	19.3
206	1-3/16	127820	INS-SC-103-SS	.60	1.52	0.70	2.4409	0.18	1.57	5/16-24	0.58	0.94
	1-1/4	127821	INS-SC-104S-SS	.58	1.52	0.70	2.4409	0.18	1.57	5/16-24	0.58	0.94
	30mm	127863	INS-SC-30M-SS	.27	38.6	17.7	62.000	4.6	39.9	M8x1.25	14.7	23.9
207	1-1/4	127822	INS-SC-104-SS	1.02	1.54	0.75	2.8346	0.20	1.84	5/16-24	0.51	1.03
	1-7/16	127823	INS-SC-107-SS	.86	1.54	0.75	2.8346	0.20	1.84	5/16-24	0.51	1.03
	35mm	127864	INS-SC-35M-SS	.44	39.1	19.0	72.000	5.1	46.7	M8x1.25	13.0	26.2
208	1-1/2	127824	INS-SC-108-SS	1.27	1.68	0.87	3.1496	0.22	2.05	5/16-24	0.59	1.09
	40mm	127865	INS-SC-40M-SS	.51	42.7	22.0	80.000	5.6	52.1	M8x1.25	15.0	27.7
209	1-11/16	127825	INS-SC-111-SS	1.43	1.71	0.87	3.3465	0.25	2.22	5/16-24	0.58	1.13
	1-3/4	127804	INS-SC-112-SS	1.43	1.71	0.87	3.3465	0.25	2.22	5/16-24	0.58	1.13
	45mm	127866	INS-SC-45M-SS	.62	43.4	22.0	85.000	6.4	56.4	M8x1.25	14.7	28.7
210	1-15/16	127826	INS-SC-115-SS	1.48	1.74	0.87	3.5433	0.25	2.43	3/8-24	0.58	1.16
	2	127808	INS-SC-200-SS	1.39	1.74	0.87	3.5433	0.25	2.43	3/8-24	0.58	1.16
	50mm	127867	INS-SC-50M-SS	.67	44.2	22.0	90.000	6.4	61.7	M10x1.5	14.7	29.5

Ultra Kleen mounted ball bearings

Accessories

E-Z Kleen/Ultra Kleen mounted ball bearings
 polymer and stainless steel
 housed mounted bearings snap-on end covers



Series	For Shaft size	Closed end closure Part number	Description	A	B	C	D	Closed end closure Part number	Description	A	B	C	D	E
204	3/4	128960	ECC-EZ-204	1.13	0.53	1-29/32	1-3/8	128974	ECO-EZ-012	1-3/16	17/32	1-29/32	1-3/8	3/16
	20mm	128960	ECC-EZ-204	28.7	13.5	48.4	35.1	128991	ECO-EZ-20M	30.2	13.5	48.4	35.1	4.9
205	1	128961	ECC-EZ-205	0.19	17/32	2-11/64	1-39/64	128975	ECO-EZ-100	1-1/4	17/32	2-11/64	1-39/64	3/16
	25mm	128961	ECC-EZ-205	30.2	13.5	55.1	40.9	128992	ECO-EZ-25M	35.3	14.2	63.5	50.0	4.9
206	1-3/16	128962	ECC-EZ-206	1.33	9/16	2-1/2	31/32	128976	ECO-EZ-103	1-25/64	9/16	2-1/2	31/32	3/16
	1-1/4	128962	ECC-EZ-206	1.33	9/16	2-1/2	31/32	128989	ECO-EZ-104S	1-25/64	9/16	2-1/2	31/32	3/16
	30mm	128962	ECC-EZ-206	33.8	14.2	63.5	50.0	128993	ECO-EZ-30M	35.3	14.2	63.5	50.0	4.9
207	1-1/4	128963	ECC-EZ-207	1.47	11/16	2-29/32	2-5/16	128977	ECO-EZ-104	1-17/32	11/16	2-29/32	2-5/16	3/16
	1-7/16	128963	ECC-EZ-207	1.47	11/16	2-29/32	2-5/16	128990	ECO-EZ-107	1-17/32	11/16	2-29/32	2-5/16	3/16
	35mm	128963	ECC-EZ-207	37.3	17.5	73.9	58.9	128994	ECO-EZ-35M	38.9	17.5	73.9	58.9	4.9
208	1-1/2	128964	ECC-EZ-208	1.55	11/16	3-5/16	2-49/64	128978	ECO-EZ-108	1-19/32	11/16	3-5/16	2-49/64	13/64
	40mm	128964	ECC-EZ-208	39.1	17.5	84.1	70.1	128996	ECO-EZ-40M	40.6	17.5	84.1	70.1	5.1
209	1-11/16	128965	ECC-EZ-209	1.59	23/32	3-1/2	2-7/8	@	ECO-EZ-111	1-21/32	23/32	3-1/2	2-7/8	13/64
	1-3/4	128965	ECC-EZ-209	1.59	23/32	3-1/2	2-7/8							
	45mm	128965	ECC-EZ-209	40.4	18.3	88.9	72.9	@	ECO-EZ-45M	41.9	18.3	88.9	72.9	5.1
210	1-15/16	128966	ECC-EZ-210	1.66	29/32	3-5/8	3	128980	ECO-EZ-115	1-23/32	29/32	3-5/8	3	13/64
	2	128966	ECC-EZ-210	1.66	29/32	3-5/8	3							
	50mm	128966	ECC-EZ-210	42.0	23.1	91.4	76.2	128997	ECO-EZ-50M	43.7	23.1	91.4	76.2	5.1

@ Made to order

Ultra Kleen mounted ball bearings

Notes

E-Z Kleen mounted ball bearings

Contents

E-Z Kleen polymer and stainless steel housed mounted bearings

2-3	Features/Benefits
2-8	How to order/Nomenclature
2-9	Selection
2-12	Easy selection Selection/Dimensions

Stainless Housed Ball

2-24	Pillow blocks
2-29	Tapped base pillow blocks
2-30	2-bolt flange bearings
2-33	LF, LFT flange bearings
2-35	Flanged bracketed bearings
2-36	4-bolt flange bearings
2-38	NSTU Narrow slot take-up bearings
2-39	Wide slot take-up bearings
2-40	CR Inserts

Polymer housed Ball

2-44	Pillow blocks
2-50	Tapped base pillow blocks
2-54	2-bolt flange bearings
2-58	Flange bearings
2-62	4-bolt flange bearings
2-66	Wide slot take-up bearings

Polymer sleeve

2-71	Pillow block
2-72	Tapped base pillow blocks
2-73	2-bolt flange bearings
2-74	3-bolt flange bearings
2-75	4-bolt flange bearings
2-76	Inserts
2-77	Accessories

INDEX-1	Part number index
---------	-------------------

INDEX-69	Key word index
----------	----------------

E-Z Kleen mounted ball bearings

Contents

E-Z Kleen Kleen mounted ball bearings

Features/Benefits

E-Z Kleen

Polymer and stainless steel housed mounted bearings

Our goal at Dodge is to create the world's most successful customer. We do that by listening and responding to our customers' needs. Customers in the food and beverage processing industry told us they needed new and improved products that help make their industry safer - products that help in the fight against contamination from bacteria such as E. coli, salmonella, and staphylococcus aureus.

Dodge delivered by expanding our high performance E-Z Kleen line with this new, improved generation of E-Z Kleen engineered polymer housed ball and sleeve bearings and stainless steel housed ball bearings.



Dodge E-Z Kleen with solid-base housing

Competitive bearing with cavities and fillings that can trap bacteria



• 300 Series Stainless Steel

Popular housing styles	
Polymer	Stainless steel
• Pillow blocks	• Pillow blocks
• Tapped-base pillow blocks	• Tapped-base pillow blocks
• 2 and 4 bolt flange bearings	• Flange brackets
• Flange brackets	• Wide and narrow slot take-up bearings
• Wide slot take-up bearings	• 2 and 3 bolt light duty flange
	• 2 and 4 bolt flange bearings

Rugged, solid-base housing	
• Manufactured with no cavities and no fillings -no traps for bacteria	• 316 Series stainless steel housing also available
• Features anti-microbial polymer that helps prevent bacterial and fungal growth (polymer housing)	• For no relube (NL) remove the lube fitting and install the polymer plug that is shipped with each bearing
• Housing strength exceeds static capacity of bearing	• Retains dimensional stability in harsh environments
• Designed with stainless steel lube fittings and stainless steel ferrules in bolt holes (polymer housed)	• No flaking or peeling, even after repeated washdowns
	• Provides excellent chemical resistance
	• Available with either open or closed end closures
	• FDA/USDA compliant

Results of housing anti-microbial activity against test organisms			
Test organism	Type of organism	Growth-free zone (MM)	Contact inhibition (%)
Staphylococcus aureus	Bacterial	0	100
Aspergillus niger	Fungal	0	100

E-Z Kleen mounted ball bearings

Features/Benefits

E-Z Kleen QuadGuard sealing system

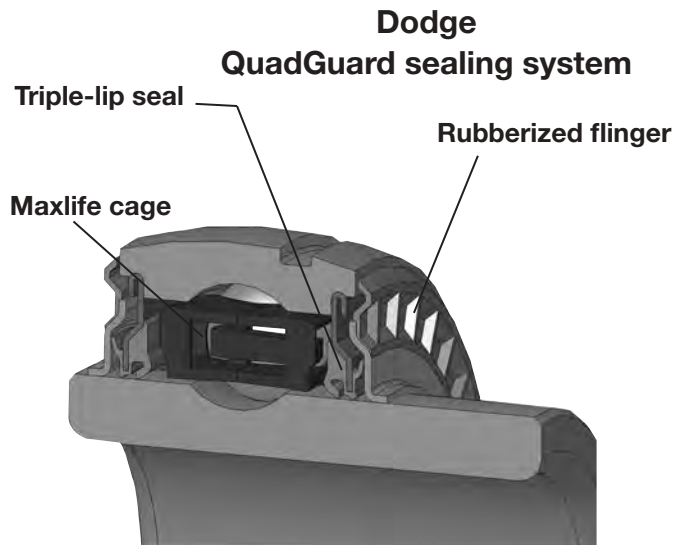
For over 125 years, the Dodge brand has been synonymous with the best the industry has to offer. Bearing users in the food and beverage industry recognize that with Dodge they have access to the best selection of the highest quality mounted ball bearings available in the market.

The Dodge E-Z Kleen and Ultra Kleen bearings for the food and beverage industry offer an array of features that provide extended life in these challenging conditions. Dodge has the only bearings in the industry to offer a patented triple-lip seal with a rubberized flinger, the QuadGuard™ sealing system. These units also include an exclusive ball retainer, the Maxlife™ cage which helps retain lubrication and prevents washout in wet environments.

Combine these features with a complete line of polymer and stainless housing offerings, concentric and adapter mounting options and you have a family of mounted ball bearing products that are unsurpassed in the industry.

Three shaft locking systems from stock

- SC - Two stainless-steel setscrews set 65 apart
- D-Lok - Corrosion resistant concentric collar
- GT - Grip Tight



Corrosion-Resistant ball bearing inserts

- New QuadGuard sealing system with stainless triple-lip seal and rubberized flinger
- Corrosion-resistant inner and outer ring
- Stainless steel balls and lube fitting
- Stainless steel setscrews (SC) and stainless steel capscrew (DLOK)
- 100% Filled with H1, food grade grease
- Relubricable
- Anti-rotation pin
- Patented Maxlife cage extends grease life
- Offered in inch and metric sizes
- Temperature range -20° to +225° F

The QuadGuard seal consists of two patented features that are unique to Dodge bearings and are standard on the E-Z Kleen and Ultra Kleen product.

• Triple-lip seal

- Patented design
- Mechanically retained seal with two contact points on the inner ring and one that rides against flinger surface
- Three points of contact guard against contamination and keep in lubricants
- Maximizes sealing with minimal increase in drag compared to a single lip design

• Rubberized flinger

- Industry's first and only patented design
- Molded rubber provides additional protection from contaminants entering the bearing
- Baffle design of the rubber on the external surface of the flinger enhances the removal of liquid as it rotates
- Extended rubber baffle outer diameter increases centrifugal acceleration to discard moisture and contamination away from bearing
- Grease chambers on the internal surface prevent lubricants from exiting the bearing
- Superior design increases service life in dirty environments thus leading to extended uptime

E-Z kleen Kleen mounted ball bearings

Features/Benefits

E-Z Kleen Corrosion resistant coating

The Dodge E-Z Kleen ball bearing uses a patented, corrosion resistant coating that is superior to any coated product in the market.

- QuadGuard sealing system
- Maxlife cage
- Corrosion resistant insert has a patented nickel alloy Teflon composite coating
- Offered in setscrew (SC) and adapter mount (Grip Tight) locking mechanisms
- Available in polymer and stainless housings

The Dodge E-Z Kleen corrosion resistant (CR) insert outperforms other coatings on the market today such as black oxide, zinc and thin dense chrome (TDC).

Tests have shown that the Dodge CR insert exhibited 300% longer bearing life than a typical TDC coated insert. The CR insert load capacity is not de-rated as compared to stainless inserts.

Dodge offers the CR insert in different locking mechanisms.

- Setscrew (SC)
 - 65° stainless set screws provide superior holding force without compromising the strength of the inner ring
 - Stainless anti-rotation pin to prevent insert from rotating in the housing
- Adapter Mount (Grip Tight)
 - Dodge-only patented thin wall adapter mount
 - Push/pull adapter mount system provides easy on/off installation and removal
 - Built-in bearing puller reduces the time associated with removing bearings from shaft
 - Adapter mount does not damage stainless shafting
 - Interchangeable adapters reduce inventory

Note: Instruction manuals and drawings for Dodge bearings are available on www.Dodge-pt.com

24 hour salt fog test results

Dodge E-Z Kleen corrosion resistant insert –
No corrosion after testing



Black oxide



Zinc plating



Thin dense chrome (TDC)



SC



Grip Tight

E-Z Kleen mounted ball bearings

Features/Benefits

E-Z Kleen Maxlife cage

The Maxlife cage is the product of extensive research and development in retainer technology and industry leading engineering.

- Two-piece design that creates a grease compartment around each of the rolling elements
- Compartments provide constant contact between balls and grease so an oil film will always exist to prevent wear and minimize friction and heat
- Relative motion between the components and the grease is reduced which results in lower operating temperatures and extended life
- Compartmental construction of the cage holds in the grease and prevents it from being washed out in extremely wet conditions
- Exclusive design extends life with less frequency of re-lubrication than standard designs
- Included in both E-Z Kleen and Ultra Kleen products



Grip-Tight locking system

Full contact on shaft for better grip, less vibration.

Setscrew locking can distort the inner ring and cause system-induced vibration. But with the Dodge Grip-Tight adapter, the adapter attaches itself to the shaft for full concentric contact - 360° through the length of the bearing. E-Z Kleen and Grip-Tight use stainless steel adapter sleeve and nut and provides easy-on and easy-off installation and removal.

Note: Instruction manuals and drawings for Dodge bearings are available on www.Dodge-pt.com

E-Z kleen Kleen mounted ball bearings

Features/Benefits

E-Z Kleen SC, GT; Ultra Kleen SC

E-Z Kleen SC, GT Ultra Kleen SC	End-cover capability		Sealing	Stainless rubberized flinger	Retainer
	End-cover groove	Snap-on end cover	Triple-lip seal		Maxlife cage
Standard Features	X	X	X	X	X

Housing capability stainless

Housing style	204	205	206	207	208	209	210
P2B	X	X	X	X	X		X
F2B	X	X	X	X	X		X
F4B	X	X	X	X	X		X
FB	X	X	X	X			X
TB	X	X	X	X	X		X
NSTU	X	X	X	X	X		X
WSTU	X	X	X	X	X		X
LF	X	X	X	X			
LFT	X	X	X	X			

Housing capability polymer

Housing style	204	205	206	207	208	209	210
P2B	X	X	X	X	X	X	X
F2B	X	X	X	X	X	X	X
F4B	X	X	X	X	X	X	X
FB	X	X	X	X			
TB	X	X	X	X			
NSTU							
WSTU	X	X	X	X			
LF							
LFT							

Note: Instruction manuals and drawings for Dodge bearings are available on www.Dodge-pt.com

E-Z Kleen mounted ball bearings

How to order/Nomenclature

E-Z Kleen polymer and stainless steel housed mounted ball bearings

How to order

There are two ways to specify Dodge E-Z Kleen ball bearings. Most of the product offerings have part numbers with listings shown throughout this catalog. Use of part numbers ensures accurate order processing.

When part numbers are not shown, the product may be specified by description or part name. This method is used when ordering units that include modifications or options.

Nomenclature

P2B - SCHUEZ - 104S = PCR

Modification Or Feature:

CR = Corrosion resistant insert
MOD = Modified
P = polymer housing
SH = stainless steel Housing

Shaft Size:

Inches:

First digit = Number of inches
Second & third digits = Number of sixteenths of an inch
104 = Indicates 1-4/16 or 1-1/4
S = Next smaller ring size. E.g. 1-1/4 206 would be written as 104S
L = Next larger ring size. E.g. 1/2 204 would be written as 008L

Metric:

First two digits = number of millimeters
M = Metric

Bearing Type:

SC = Wide inner ring, Normal duty, 65° setscrew locking
DL = Wide inner ring, Normal duty, concentric clamp collar
GT = Wide inner ring, Normal duty, thin wall adapter locking
PS = polymer sleeve Insert

Suffixes to the above:

EZ = E-Z Kleen/Ultra Kleen (used with polymer or stainless steel housed units)
BEZ = Low backing height pillow block, E-Z Kleen/Ultra Kleen
UEZ = higher back pillow block, E-Z Kleen/Ultra Kleen (for interchangeability with competitive pillow blocks)

Housing:

F2B = 2-bolt flange
F4B = 4-bolt flange
FB = Flanged bracket
INS = Insert
P2B = pillow block, 2-bolt base
TB = tapped base pillow block
WSTU = wide slot take-up

E-Z Kleen mounted ball bearings

Selection

Selection of Dodge E-Z Kleen polymer and stainless steel housed mounted ball bearings

Dodge E-Z Kleen mounted ball bearings are primarily designed for radial loading. However, they have the capacity to carry thrust loads and combined radial/thrust loads. The maximum recommended load which can be applied is limited by various components in the system, such as bearing, housing, shaft attachments, speed and life requirements as listed in this catalog and the instruction manual that accompanies each bearing. Dodge E-Z Kleen ball bearings have been applied successfully when these limits have been exceeded under controlled operating conditions. Contact Dodge Engineering for applications which exceed these recommendations.

Select a bearing from the Selection Table that has a radial load rating at the operating speed equal to or greater than the calculated Equivalent Radial Load for a desired L_{10} life. This simple method is all that is required for the majority of general applications and provides for occasional average shock loads.

L_{10} Hours Life – The life which may be expected for at least 90% of a given group of bearings operating under identical conditions.

Heavy Service – For heavy shock loads, frequent shock loads or severe vibrations, add up to 50% (according to severity of conditions) to the Equivalent Radial Load to obtain a Modified Equivalent Radial Load. Consult Application Engineering for additional selection assistance.

A maximum thrust load value of $C/10$ is recommended as a guide for general applications and will give adequate L_{10} life. If the thrust load exceeds this limit, it is advisable to use auxiliary thrust carrying devices, such as a shaft shoulder, snap ring, or a thrust collar. Where substantial radial load pulls the housing away from the mounting base, both the hold-down bolts and housing must be of adequate strength. Auxiliary load carrying devices, such as shear bars, are advisable for side or end-loading of pillow blocks and radial loads for flange units.

To determine the L_{10} hours life for loads and RPMs not listed use the following equation:

$$L_{10} = \left(\frac{C}{P}\right)^3 \times \left(\frac{16667}{n}\right)$$

Where:

L_{10} = Life, hours

C = Dynamic Capacity, lb or N

P = Equivalent Radial Load, lb or N

n = Revolutions per minute

When the load on a ball bearing is solely a radial load with no thrust (axial) load, the Equivalent Radial Load (P) is equal to the actual radial load. However, when a thrust (axial) load is applied, the radial and thrust loads applied must be converted into an Equivalent Radial Load. Use X (radial factor) and Y (thrust factor) from Table 1 to convert the actual applied thrust and radial loads to an Equivalent Radial Load which has the same effect on the life of a bearing as a radial load of this magnitude.

$$P = XF_R + YF_A$$

Where:

P = Equivalent Radial Load, lb

F_R = Radial load, lb

F_A = Thrust load, lb

e = Thrust load to radial load factor (Table 1)

X = Radial load factor (Table 1)

Y = Thrust Factor (Table 1)

C_0 = Basic static capacity (Selection Table)

To find X and Y, first calculate F_A/C_0 to determine e. Calculate F_A/F_R and compare to e to determine the X and Y factors to use from Table 1.

Shaft tolerances		
Normal shaft size inches	Recommended shaft tolerances SC & D-LOK products (inches)	Recommended shaft tolerances Grip Tight ball bearings (inches)
Up to 1-1/2.	+0.000 -0.0005	+0.000 -0.002
Over 1-1/2 to 2.	+0.000 -0.0010	+0.000 -0.003

Note: Bearing analysis program BEST is available on www.ptwizard.com

E-Z Kleen mounted ball bearings

Selection

Selection of Dodge E-Z Kleen polymer and stainless steel housed mounted ball bearings

Table 1

F_A/C_0	e	Radial/Thrust factors			
		If F_A/F_R is equal to or less than e		If F_A/F_R is greater than e	
		$F_A/F_R \leq e$		$F_A/F_R > e$	
		X	Y	X	Y
0.014	0.19	1	0	0.56	2.30
0.021	0.21	1	0	0.56	2.15
0.028	0.22	1	0	0.56	1.99
0.042	0.24	1	0	0.56	1.85
0.056	0.26	1	0	0.56	1.71
0.070	0.27	1	0	0.56	1.63
0.084	0.28	1	0	0.56	1.55
0.110	0.30	1	0	0.56	1.45
0.170	0.34	1	0	0.56	1.31
0.280	0.38	1	0	0.56	1.15
0.420	0.42	1	0	0.56	1.04
0.560	0.44	1	0	0.56	1.00

Substitute all known values into the Equivalent Radial Load equation. The Equivalent Radial Load (P) thus determined can be used in the L10 life formula or compared to the allowable Equivalent Radial Load rating desired in the expanded rating chart to select a bearing (Selection Table).

If calculated value of P is less than F_R , use $P=F_R$.

Lubrication – Dodge Ball bearings are lubricated at the factory and are ready to run. The bearings are initially lubricated with an aluminum complex based, H1 Food Grade grease and should be relubricated with the same or some equivalent. For high speeds, high loads, extreme temperatures and other abnormal operating conditions, special greases may be required. Contact Dodge Application Engineering for recommendations on these types of applications.

Misalignment – Dodge Ball bearings are designed to allow a maximum of 2° static misalignment. These bearings are not suitable for dynamic misalignment. To ensure good alignment, mounting surfaces must be checked for flatness and must lie in the same plane. When tightening base bolts, each bolt should be alternately tightening in incremental torque values until full torque is achieved to prevent the angular shifting of the pillow block that occurs when one bolt is tightened to its full torque. Shimming may be required to minimize misalignment.

Note: Bearing analysis program .BEST. is available on www.ptwizard.com

E-Z Kleen mounted ball bearings

Selection

Selection of Dodge E-Z Kleen polymer and stainless steel housed mounted ball bearings

Recommended torque										
Setscrews					Mounting bolts					
Setscrew size	Key hex across flats	◆ Recommended torque			Metal housings		E-Z Kleen housed bearings			
		Standard ball bearing insert		Corrosion resistant stainless steel	Bolt size	Recom. dry torque (grade 2)	2-bolt PB, 2 & 4 bolt fig. and fig. brackets		Tapped base PB	
		Min	Max				Bolt size	Torque ①	Bolt size	Torque ②
(in.)	(in.)	(in.-lb)	(in.-lb)	(in.-lb)	(in.)	(in.Olb)	(in.)	(in.-lb)	(in.)	(in.-lb)
#10	3/32	28	33	25	3/8-16	240	3/8-16	225	3/8-16	175
1/4	1/8	66	80	60	7/16-14	384	7/16-14	350	7/16-14	350
5/16	5/32	126	156	117	1/2-13	600	1/2-13	500	1/2-13	400
3/8	3/16	228	275	206	5/8-11	1200	9/16-12	650		
7/16	7/32	342	428	321	3/4-10	1950	5/8-11	1000		
					7/8-9	2890				
(mm)	(mm)	(N-m)	(N-m)	(N-m)	(mm)	(N-m)	(mm)	(N-m)		
M5	2.5	3.2	3.7	2.8	M10	29	M8	15	① Torque for Austenitic (18-8) Stainless	
M6	3	6.2	7.7	5.8	M12	50	M10	25		
M8	4	14.2	17.8	13.4	M16	124	M12	50	② Max. torque values published. Do not exceed	
M10	5	26	31	23	M20	238	M14	75		
M12	6	46	57	43	M22	322	M18	125		

Lubrication

High speed operation - In the higher speed ranges, too much grease will cause over-heating. The amount of grease that the bearing will take for a particular high speed application can only be determined by experience. If excess grease in the bearing causes overheating, it will be necessary to remove grease fitting to permit excess grease to escape. The bearing has been greased at the factory and is ready to run. When establishing a relubrication schedule, note that a small amount of grease at frequent intervals is preferable to a large amount at infrequent intervals.

◆ **Note:** Dodge does not recommend the use of oils or locking agents on setscrew threads. However, if utilized, the minimum installation torque values should be followed.

Lubrication guide								
Use a No. 2 Lithium complex base grease or equivalent*								
Hours run per day	Suggested lubrication period in weeks							
	1 to 250 RPM	251 to 500 RPM	501 to 750 RPM	751 to 1000 RPM	1001 to 1500 RPM	1501 to 2000 RPM	2001 to 2500 RPM	2501 to 3000 RPM
8	12	12	10	7	5	4	3	2
16	12	7	5	4	2	2	1	1
24	10	5	3	2	1	1	1	1

* For E-Z Kleen and Ultra Kleen series bearings, use an aluminum complex base grease.

Lubrication recommendations are intended for standard products applied in general operating conditions. For modified products, high temperature applications, and other anomalous applications contact product engineering at 864-284-5700.

E-Z Kleen mounted ball bearings

Easy selection

E-Z Kleen SC

Ring size	Shaft size		Dynamic capacity C, lb	Static capacity C ₀ , lb	L ₁₀ life - hours	Allowable equivalent radial load rating (lb) at various RPM*											
	SC	SCM				50	150	250	500	750	1000	1250	1500	1600	1750	2000	2250
204	1/2		2899	1482	20000	741	513	433	344	300	273	253	238	233	226	217	208
	5/8		2899	1482	30000	647	449	378	300	262	238	221	208	204	198	189	182
	3/4		2899	1482	40000	588	408	344	273	238	217	201	189	185	180	172	165
	13/16		2899	1482	60000	513	356	300	238	208	189	176	165	162	157	150	144
	20mm		2899	1482	100000	433	300	253	201	176	160	148	139	136	132	127	122
205	7/8		3146	1769	20000	804	557	470	373	326	296	275	259	253	246	235	226
	15/16		3146	1769	30000	702	487	411	326	285	259	240	226	221	215	205	197
	1		3146	1769	40000	638	442	373	296	259	235	218	205	201	195	187	179
	25mm		3146	1769	60000	557	386	326	259	226	205	191	179	176	170	163	157
			3146	1769	100000	470	326	275	218	191	173	161	151	148	144	137	132
206	1-1/16	1	4368	2538	20000	1116	774	652	518	452	411	382	359	351	341	326	314
	1-1/8	25mm	4368	2538	30000	975	676	570	452	395	359	333	314	307	298	285	274
	1-3/16		4368	2538	40000	886	614	518	411	359	326	303	285	279	271	259	249
	1-1/4		4368	2538	60000	774	536	452	359	314	285	265	249	244	237	226	217
	30mm		4368	2538	100000	652	452	382	303	265	240	223	210	206	199	191	183
207	1-1/4	1-3/16	5759	3461	20000	1471	1020	860	683	596	542	503	473	463	450	430	414
	1-5/16	1-1/4	5759	3461	30000	1285	891	752	596	521	473	439	414	405	393	376	361
	1-3/8	30mm	5759	3461	40000	1168	810	683	542	473	430	399	376	368	357	341	328
	1-7/16		5759	3461	60000	1020	707	596	473	414	376	349	328	321	312	298	287
	35mm		5759	3461	100000	860	596	503	399	349	317	294	277	271	263	252	242
208	1-1/2	1-7/16	7332	4475	20000	1873	1299	1095	869	759	690	641	603	590	573	548	527
	1-5/8	1-1/2▲	7332	4475	30000	1636	1134	957	759	663	603	560	527	515	500	478	460
	40mm	35mm	7332	4475	40000	1487	1031	869	690	603	548	508	478	468	454	435	418
			7332	4475	60000	1299	900	759	603	527	478	444	418	409	397	380	365
			7332	4475	100000	1095	759	641	508	444	403	375	352	345	335	320	308
209	1-5/8	1-1/2	7891	4906	20000	2016	1398	1179	936	817	743	689	649	635	616	589	567
	1-11/16	40mm	7891	4906	30000	1761	1221	1030	817	714	649	602	567	555	538	515	495
	1-3/4		7891	4906	40000	1600	1109	936	743	649	589	547	515	504	489	468	450
	45mm		7891	4906	60000	1398	969	817	649	567	515	478	450	440	427	409	393
			7891	4906	100000	1179	817	689	547	478	434	403	379	371	360	345	331
210	1-15/16	1-11/16	7891	5213	20000	2016	1398	1179	936	817	743	689	649	635	616	589	567
	1-3/4	1-3/4	7891	5213	30000	1761	1221	1030	817	714	649	602	567	555	538	515	495
	45mm	45mm	7891	5213	40000	1600	1109	936	743	649	589	547	515	504	489	468	450
	2		7891	5213	60000	1398	969	817	649	567	515	478	450	440	427	409	393
	50mm		7891	5213	100000	1179	817	689	547	478	434	403	379	371	360	345	331

* Slight interference fit required when operating on the right of the heavy line or in the shaded area.

▲ Piloted flange only

Note: Bearing analysis program .BEST. is available on www.ptwizard.com

E-Z Kleen mounted ball bearings

Easy selection

E-Z Kleen SC (continued)

Ring Size	Shaft Size		Dynamic Capacity C, lb	Static Capacity C ₀ , lb	L ₁₀ Life - Hours	Allowable Equivalent Radial Load Rating (lb) at Various RPM*											
	SC	SCM				2500	2750	3000	3250	3500	3600	4000	4500	5000	5250	5500	6000
204	1/2		2899	1482	20000	201	195	189	184	180	178	172	165	160	157	155	150
	5/8		2899	1482	30000	176	170	165	161	157	155	150	144	139	137	135	131
	3/4		2899	1482	40000	160	155	150	146	143	141	136	131	127	125	123	119
	13/16		2899	1482	60000	139	135	131	128	125	123	119	115	111	109	107	104
	20mm		2899	1482	100000	118	114	111	108	105	104	101	97	93	92	90	88
205	7/8		3146	1769	20000	218	211	205	200	195	193	187	179	173	170	168	163
	15/16		3146	1769	30000	191	185	179	175	170	169	163	157	151	149	147	142
	1		3146	1769	40000	173	168	163	159	155	153	148	142	137	135	133	129
	25mm		3146	1769	60000	151	147	142	139	135	134	129	124	120	118	116	113
			3146	1769	100000	128	124	120	117	114	113	109	105	101	100	98	95
206	1-1/16	1	4368	2538	20000	303	293	285	278	271	268	259	249	240	237		
	1-1/8	25mm	4368	2538	30000	265	256	249	242	237	234	226	217	210	207		
	1-3/16		4368	2538	40000	240	233	226	220	215	213	206	198	191	188		
	1-1/4		4368	2538	60000	210	203	198	192	188	186	180	173	167	164		
	30mm		4368	2538	100000	177	172	167	162	158	157	151	146	141	138		
207	1-1/4	1-3/16	5759	3461	20000	399	387	376	366	357	354	341	328				
	1-5/16	1-1/4	5759	3461	30000	349	338	328	320	312	309	298	287				
	1-3/8	30mm	5759	3461	40000	317	307	298	290	283	281	271	261				
	1-7/16		5759	3461	60000	277	268	261	254	247	245	237	228				
	35mm		5759	3461	100000	234	226	220	214	209	207	200	192				
208	1-1/2	1-7/16	7332	4475	20000	508	492	478	466	454	450	435					
	1-5/8	1-1/2▲	7332	4475	30000	444	430	418	407	397	393	380					
	40mm	35mm	7332	4475	40000	403	391	380	370	361	357	345					
			7332	4475	60000	352	341	332	323	315	312	301					
209	1-5/8	1-1/2	7891	4906	20000	547	530	515	501	489	485	468					
	1-11/16	40mm	7891	4906	30000	478	463	450	438	427	423	409					
	1-3/4		7891	4906	40000	434	421	409	398	388	385	371					
	45mm		7891	4906	60000	379	367	357	348	339	336	324					
			7891	4906	100000	320	310	301	293	286	283	274					
210	1-15/16	1-11/16	7891	5213	20000	547	530	515	501	489	485						
	2	1-3/4	7891	5213	30000	478	463	450	438	427	423						
	50mm	45mm	7891	5213	40000	434	421	409	398	388	385						
			7891	5213	60000	379	367	357	348	339	336						
		7891	5213	100000	320	310	301	293	286	283							

* Slight interference fit required when operating on the right of the heavy line or in the shaded area.

▲ Piloted flange only

Note: Bearing analysis program .BEST. is available on www.ptwizard.com

E-Z Kleen mounted ball bearings

Easy selection

E-Z Kleen GT

Ring size	Shaft size		Dynamic capacity C, lb	Static capacity C ₀ , lb	Allowable equivalent radial load rating (lb) at various RPM*							
	GT	GTM			L ₁₀ Life - Hours	50	150	250	500	750	1000	1500
204	3/4		2899	1482	20000	741	513	433	344	300	273	238
			20mm	2899	1482	30000	647	449	378	300	262	238
			2899	1482	40000	588	408	344	273	238	217	189
			2899	1482	60000	513	356	300	238	208	189	165
			2899	1482	100000	433	300	253	201	176	160	139
205	7/8	3/4	3146	1769	20000	804	557	470	373	326	296	259
			15/16	3146	1769	30000	702	487	411	326	285	259
	1		3146	1769	40000	638	442	373	296	259	235	205
	25mm		3146	1769	60000	557	386	326	259	226	205	179
			3146	1769	100000	470	326	275	218	191	173	151
206	1-1/8	1	4368	2538	20000	1116	774	652	518	452	411	359
			1-3/16	25mm	4368	2538	30000	975	676	570	452	395
	1-1/4		4368	2538	40000	886	614	518	411	359	326	285
	30mm		4368	2538	60000	774	536	452	359	314	285	249
			4368	2538	100000	652	452	382	303	265	240	210
207	1-1/4	1-3/16	5759	3461	20000	1471	1020	860	683	596	542	473
			1-3/8	1-1/4	5759	3461	30000	1285	891	752	596	521
	1-7/16	30mm	5759	3461	40000	1168	810	683	542	473	430	376
	35mm		5759	3461	60000	1020	707	596	473	414	376	328
			5759	3461	100000	860	596	503	399	349	317	277
208	1-1/2	1-7/16	7332	4475	20000	1873	1299	1095	869	759	690	603
			40mm	1-1/2▲	7332	4475	30000	1636	1134	957	759	663
		35mm	7332	4475	40000	1487	1031	869	690	603	548	478
			7332	4475	60000	1299	900	759	603	527	478	418
			7332	4475	100000	1095	759	641	508	444	403	352
209	1-5/8	1-1/2	7891	4906	20000	2016	1398	1179	936	817	743	649
			1-11/16	40mm	7891	4906	30000	1761	1221	1030	817	714
	1-3/4		7891	4906	40000	1600	1109	936	743	649	589	515
	45mm		7891	4906	60000	1398	969	817	649	567	515	450
			7891	4906	100000	1179	817	689	547	478	434	379
210	1-15/16	1-11/16	7891	5213	20000	2016	1398	1179	936	817	743	649
			2	1-3/4	7891	5213	30000	1761	1221	1030	817	714
	50mm	45mm	7891	5213	40000	1600	1109	936	743	649	589	515
			7891	5213	60000	1398	969	817	649	567	515	450
			7891	5213	100000	1179	817	689	547	478	434	379

* Speed limit values reflect quad contact seal

▲ Piloted flange only

Note: Bearing analysis program .BEST. is available on www.ptwizard.com

E-Z Kleen mounted ball bearings

Easy selection

E-Z Kleen GT (continued)

Ring size	Shaft size		Dynamic capacity C, lb	Static capacity Co, lb	Allowable equivalent radial load rating (lb) at various RPM*							
	GT	GTM			L ₁₀ Life - Hours	1750	2000	2200	2600	3000	3200	3600
204	3/4		2899	1482	20000	226	217	210	198	189	185	178
	20mm		2899	1482	30000	198	189	183	173	165	162	155
			2899	1482	40000	180	172	166	157	150	147	141
			2899	1482	60000	157	150	145	138	131	128	123
			2899	1482	100000	132	127	123	116	111	108	104
205	7/8	3/4	3146	1769	20000	246	235	228	215	205	201	193
	15/16		3146	1769	30000	215	205	199	188	179	176	169
	1		3146	1769	40000	195	187	181	171	163	159	153
	25mm		3146	1769	60000	170	163	158	149	142	139	134
			3146	1769	100000	144	137	133	126	120	117	113
206	1-1/8	1	4368	2538	20000	341	326	316	299	285	279	268
	1-3/16	25mm	4368	2538	30000	298	285	276	261	249	244	234
	1-1/4		4368	2538	40000	271	259	251	237	226	221	213
	30mm		4368	2538	60000	237	226	219	207	198	193	186
			4368	2538	100000	199	191	185	175	167	163	157
207	1-1/4	1-3/16	5759	3461	20000	450	430	417	394	376	368	354
	1-3/8	1-1/4	5759	3461	30000	393	376	364	344	328	321	309
	1-7/16	30mm	5759	3461	40000	357	341	331	313	298	292	281
	35mm		5759	3461	60000	312	298	289	273	261	255	245
			5759	3461	100000	263	252	244	230	220	215	207
208	1-1/2	1-7/16	7332	4475	20000	573	548	531	502	478	468	450
	40mm	1-1/2▲	7332	4475	30000	500	478	463	438	418	409	393
		35mm	7332	4475	40000	454	435	421	398	380	372	357
			7332	4475	60000	397	380	368	348	332	325	312
			7332	4475	100000	335	320	310	293	280	274	263
209	1-5/8	1-1/2	7891	4906	20000	616	589	571	540	515	504	485
	1-11/16	40mm	7891	4906	30000	538	515	499	472	450	440	423
	1-3/4		7891	4906	40000	489	468	453	429	409	400	385
	45mm		7891	4906	60000	427	409	396	374	357	349	336
			7891	4906	100000	360	345	334	316	301	295	283
210	1-15/16	1-11/16	7891	5213	20000	616	589	571	540	515	504	485
	2	1-3/4	7891	5213	30000	538	515	499	472	450	440	423
	50mm	45mm	7891	5213	40000	489	468	453	429	409	400	385
			7891	5213	60000	427	409	396	374	357	349	336
			7891	5213	100000	360	345	334	316	301	295	283

* Speed limit values reflect quad contact seal

▲ Piloted flange only

Note: Bearing analysis program .BEST. is available on www.ptwizard.com

E-Z Kleen mounted ball bearings

Easy selection

E-Z Kleen GT (continued)

Ring size	Shaft size		Dynamic capacity C, lb	Static capacity C ₀ , lb	Allowable equivalent radial load rating (lb) at various RPM*							
	GT	GTM			L ₁₀ Life - Hours	3840	4000	4240	4480	4800	5040	5300
204	3/4		2899	1482	20000	174	172	169	165	162	159	156
			20mm	2899	1482	30000	152	150	147	145	141	139
			2899	1482	40000	138	136	134	131	128	126	124
			2899	1482	60000	121	119	117	115	112	110	108
			2899	1482	100000	102	101	99	97	95	93	92
205	7/8	3/4	3146	1769	20000	189	187	183	180	176	173	170
			15/16	3146	1769	30000	165	163	160	157	153	151
	1		3146	1769	40000	150	148	145	143	139	137	135
	25mm		3146	1769	60000	131	129	127	125	122	120	118
			3146	1769	100000	111	109	107	105	103	101	99
206	1-1/8	1	4368	2538	20000	262	259	254	249	244	240	236
			1-3/16	25mm	4368	2538	30000	229	226	222	218	213
	1-1/4		4368	2538	40000	208	206	202	198	193	190	187
	30mm		4368	2538	60000	182	180	176	173	169	166	163
			4368	2538	100000	154	151	149	146	143	140	138
207	1-1/4	1-3/16	5759	3461	20000	346	341	335	329	321	316	
			1-3/8	1-1/4	5759	3461	30000	302	298	293	287	281
	1-7/16	30mm	5759	3461	40000	275	271	266	261	255	251	
	35mm		5759	3461	60000	240	237	232	228	223	219	
			5759	3461	100000	202	200	196	192	188	185	
208	1-1/2	1-7/16	7332	4475	20000	441	435	426	419			
			40mm	1-1/2▲	7332	4475	30000	385	380	372	366	
		35mm	7332	4475	40000	350	345	338	332			
			7332	4475	60000	306	301	296	290			
			7332	4475	100000	258	254	249	245			
209	1-5/8	1-1/2	7891	4906	20000	474	468	459				
			1-11/16	40mm	7891	4906	30000	414	409	401		
	1-3/4		7891	4906	40000	376	371	364				
	45mm		7891	4906	60000	329	324	318				
			7891	4906	100000	277	274	268				
210	1-15/16	1-11/16	7891	5213	20000	474						
			2	1-3/4	7891	5213	30000	414				
	50mm	45mm	7891	5213	40000	376						
			7891	5213	60000	329						
			7891	5213	100000	277						

* Speed limit values reflect quad contact seal

▲ Piloted flange only

Note: Bearing analysis program .BEST. is available on www.ptwizard.com

E-Z Kleen mounted ball bearings

Easy selection

E-Z Kleen GT (continued)

Ring size	Shaft size		Dynamic capacity C, lb	Static capacity C ₀ , lb	Allowable equivalent radial load rating (lb) at various RPM*						
	GT	GTM			L ₁₀ Life - Hours	5600	6000	6500	7000	7200	8000
204	3/4		2899	1482	20000	154	150	146	143	141	136
	20mm		2899	1482	30000	134	131	128	125	123	119
			2899	1482	40000	122	119	116	113	112	108
			2899	1482	60000	107	104	101	99	98	95
			2899	1482	100000	90	88	85	83	83	80
205	7/8	3/4	3146	1769	20000	167	163	159	155	153	
	15/16		3146	1769	30000	146	142	139	135	134	
	1		3146	1769	40000	132	129	126	123	122	
	25mm		3146	1769	60000	116	113	110	107	106	
			3146	1769	100000	97	95	93	91	90	
206	1-1/8	1	4368	2538	20000	231	226				
	1-3/16	25mm	4368	2538	30000	202	198				
	1-1/4		4368	2538	40000	184	180				
	30mm		4368	2538	60000	160	157				
			4368	2538	100000	135	132				
207	1-1/4	1-3/16	5759	3461	20000						
	1-3/8	1-1/4	5759	3461	30000						
	1-7/16	30mm	5759	3461	40000						
	35mm		5759	3461	60000						
			5759	3461	100000						
208	1-1/2	1-7/16	7332	4475	20000						
	40mm	1-1/2▲	7332	4475	30000						
		35mm	7332	4475	40000						
			7332	4475	60000						
			7332	4475	100000						
209	1-5/8	1-1/2	7891	4906	20000						
	1-11/16	40mm	7891	4906	30000						
	1-3/4		7891	4906	40000						
	45mm		7891	4906	60000						
			7891	4906	100000						
210	1-15/16	1-11/16	7891	5213	20000						
	2	1-3/4	7891	5213	30000						
	50mm	45mm	7891	5213	40000						
			7891	5213	60000						
			7891	5213	100000						

* Speed limit values reflect quad contact seal

▲ Piloted flange only

Note: Bearing analysis program .BEST. is available on www.ptwizard.com

E-Z Kleen mounted ball bearings

Easy selection

Table 2 - Easy selection for E-Z Kleen polymer-housed sleeve bearing mounted units - Inch

Radial load ratings (lb) at various revolutions per minute (RPM)

Series	Shaft size	Up to 10	25	50	75	100	150	200	250
204	3/4	450	400	375	300	230	175	110	90
205	1	600	550	450	215	235	175	110	90
206	1-3/16 1-1/4	900	800	500	325	250	175	110	90
207	1-1/4 1-7/16	1000	900	600	400	300	175	120	95
208	1-1/2	1400	1200	700	430	320	180	125	95
210	1-15/16	1800	1600	750	450	350	185	130	100

Radial load ratings (lb) at various revolutions per minute (RPM)

Series	Shaft size	300	350	400	450	500	550	600	650
204	3/4	60	50	45	40	35	25	20	15
205	1	60	50	45	40	35	25	20	15
206	1-3/16 1-1/4	65	60	50	40	35	30	25	20
207	1-1/4 1-7/16	70	65	55	45	40	35	30	
208	1-1/2	70	65	55	45	40	35		
210	1-15/16	80	70	60	50	45			

Continuous operating temperature: -40 to 180° F

Note: Bearing analysis program .BEST. is available on www.ptwizard.com

E-Z Kleen mounted ball bearings

Easy selection

Table 3 - Easy selection for E-Z Kleen polymer-housed sleeve bearing mounted units - Metric

Radial load ratings (Newtons) at various revolutions per minute (RPM)

Series	Shaft size	Up to 10	25	50	75	100	150	200	250
204	20	2000	1775	1665	1330	1020	775	485	400
205	25	2665	2445	2000	1400	1045	775	485	400
206	30	4000	3555	2220	1445	1110	775	485	400
207	35	4445	4000	2665	1775	1330	775	530	420
208	40	6225	5335	3110	1910	1420	8000	555	420
210	50	8005	7115	3335	2000	1555	820	575	440

Radial load ratings (Newtons) at various revolutions per minute (RPM)

Series	Shaft size	300	350	400	450	500	550	600	650
204	20	265	220	200	175	155	110	85	65
205	25	265	220	200	175	155	110	85	65
206	30	285	265	220	175	155	130	110	85
207	35	310	285	240	200	175	155	130	
208	40	310	285	240	200	175	155		
210	50	355	310	265	220	200			

Continuous operating temperature: -40 to 180° C

Note: Bearing analysis program .BEST. is available on www.ptwizard.com

E-Z Kleen mounted ball bearings

Easy selection

Chemical resistance chart*

	Housing		Ball bearing insert	
	Polymer	Stainless	E-Z Kleen	Ultra-Kleen
A				
Acetic acid	B	B	A	B
Acetone	B	A	A	B
Ammonium chloride		B	A	B
Ammonium hydroxide	D	A		A
Aniline	A	A	B	A
B				
Beer		A	A	
Beet sugar liquids		A		
Benzene	B	B	B	B
Bleaching lye	A			
Brake fluid	A			
Butane	A	A	A	
Butanol	B	A	A	
Butyl acetate	A	B	A	
C				
Calcium chloride	A	B	A	C
Calcium hydroxide		B	A	
Calcium hypochlorite	A	D	B	C
Carbon disulphide	A	B	B	
Carbon tetrachloride	A	B	A	A
Chloroform	D	A	A	A
Chromic acid	A	B	A	B
Citric acid	A	A	A	A
Cresol	D	A		
D				
Detergents	A	A	A	A
Diesel fuel	A	A	B	
E				
Ethanol	A	A		A
Ether (diethyl-)	A	A	B	A
Ethyl acetate	B	B	B	
Ethylene dichloride	D	B	B	

Where: (A) = No effect - Excellent

(B) = Minor effect - Good

(C) = Moderate effect - Fair

(D) = Severe effect - Not recommended

Blank = No data available

Note : All references assume exposure temperature of 72°F.

* This chemical resistance chart is intended as a guideline. For exposure to high concentrations, prolonged contact, or higher operating temperatures, etc. reliance upon actual application experience is best. Aggressive relubrication intervals may also benefit bearing life. Contact application engineering at 864-284-5700 for assistance.

Note: Bearing analysis program .BEST. is available on www.ptwizard.com

E-Z Kleen mounted ball bearings

Easy selection

Chemical resistance chart*

	Housing		Ball bearing insert	
	Polymer	Stainless	E-Z Kleen	Ultra-Kleen
F				
Ferrous chloride		D	B	
Formaldehyde		B	B	
Formic acid	B	B	A	B
Freon 11	A	A	A	
G				
Gasoline	A	A	A	A
Glycerol (Glycerin)	B	A	A	A
Glycol	B			
Grease	A	A	A	A
H				
Heptane	A	A	A	
Hexane	A	A	A	
Hydrochloric acid (20%)	A	D	B	D
Hydrochloric acid (100%)	D	D	C	D
Hydrofluoric acid (20%)	D	D	B	D
Hydrofluoric acid (100%)	D	D	C	D
Hydrogen peroxide (10%)	A	C	A	
Hydrogen peroxide (30%)	B	C	A	
I, K, L				
Iodine		D	B	D
Isopropanol (Isopropyl alcohol)	B	A	A	
Kerosene	A	A	A	A
Lithium chloride		A		
M				
Methanol	A	A	A	A
Methylene chloride	D	B	B	
Methyl ethyl ketone	A	A	A	
Mineral oil	A	A	A	A
Motor oils	A	A	A	A

Where: (A) = No effect - Excellent

(B) = Minor effect - Good

(C) = Moderate effect - Fair

(D) = Severe effect - Not recommended

Blank = No data available

Note : All references assume exposure temperature of 72°F.

* This chemical resistance chart is intended as a guideline. For exposure to high concentrations, prolonged contact, or higher operating temperatures, etc. reliance upon actual application experience is best. Aggressive relubrication intervals may also benefit bearing life. Contact application engineering at 864-284-5700 for assistance.

Note: Bearing analysis program .BEST. is available on www.ptwizard.com

E-Z Kleen mounted ball bearings

Easy selection

Chemical resistance chart*

	Housing		Ball bearing insert	
	Polymer	Stainless	E-Z Kleen	Ultra-Kleen
N				
Nitric acid (10%)	A	A	A	A
Nitric acid (20%)	D	A	A	A
Nitric acid (50%)	D	A	A	A
O				
Oleic acid	A	A	B	B
Olive oil	A	A	A	A
P				
Perchloroethylene	A	B	B	
Phenol	B	B	A	
Phosphoric acid (<40%)	A	B	A	A
Phosphoric acid (>40%)	A	C	A	B
Potassium chloride	A	B	A	B
Potassium dichromate	A	B	B	B
Potassium hydroxide	D	B	A	B
Potassium permanganate	A	A	B	B
S				
Silicone	A	B	A	A
Soap solution	A	A	A	A
Sodium bicarbonate	A	A	A	A
Sodium bisulfate		D	B	B
Sodium bisulfite	A	B	B	B
Sodium carbonate	A	A	A	B
Sodium chloride	A	B	A	B
Sodium hydroxide (20%)	D	A	A	A
Sodium hydroxide (50%)	D	B	A	
Sodium hydroxide (80%)	D	C	B	
Sodium hypochlorite (<20%)	A	C	B	C
Sodium hypochlorite (100%)	B	D	B	D
Sulfuric acid (<10%)	A	D	A	C
Sulfuric acid (10 - 75%)	A	D	B	D
Sulfuric acid (>75%)	D	D	C	D

Where: (A) = No effect - Excellent

(B) = Minor effect - Good

(C) = Moderate effect - Fair

(D) = Severe effect - Not recommended

Blank = No data available

Note : All references assume exposure temperature of 72°F.

* This chemical resistance chart is intended as a guideline. For exposure to high concentrations, prolonged contact, or higher operating temperatures, etc. reliance upon actual application experience is best. Aggressive relubrication intervals may also benefit bearing life. Contact application engineering at 864-284-5700 for assistance.

E-Z Kleen mounted ball bearings

Easy selection

Chemical resistance chart*

	Housing		Ball bearing insert	
	Polymer	Stainless	E-Z Kleen	Ultra-Kleen
T				
Tetrahydrofuran	B	A	A	
Toulene	A	A	A	
Trichlorethylene	B	B	A	
Triethylamine		A	A	
Turpentine	A	A	A	
V, W, X				
Vegetable oils	A	A	A	A
Water	A	A	A	A
Xylene	A	B	A	

Where: (A) = No effect - Excellent

(B) = Minor effect - Good

(C) = Moderate effect - Fair

(D) = Severe effect - Not recommended

Blank = No data available

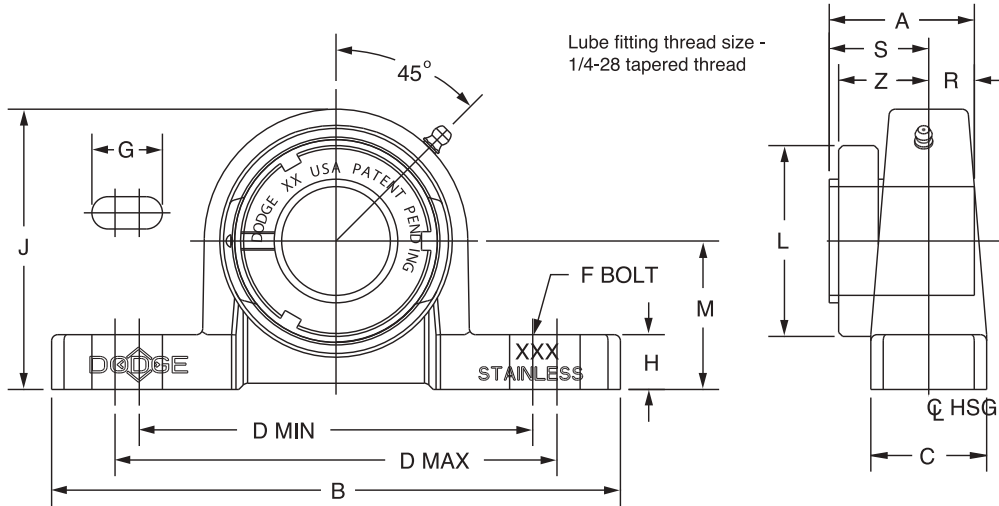
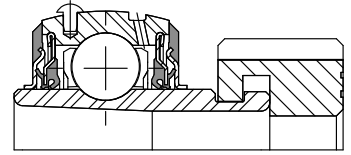
Note : All references assume exposure temperature of 72°F.

* This chemical resistance chart is intended as a guideline. For exposure to high concentrations, prolonged contact, or higher operating temperatures, etc. reliance upon actual application experience is best. Aggressive relubrication intervals may also benefit bearing life. Contact application engineering at 864-284-5700 for assistance.

E-Z Kleen mounted ball bearings

Selection/Dimensions

E-Z Kleen mounted ball bearings
GTEZ normal duty stainless steel
housed pillow blocks



Series	Shaft size	Complete unit		Unit without adapter		Adapter & nut assembly	
		Part no.	Description	Part no.	Description	Part no.	Description
204	3/4	129260	P2B-GTEZ-012-SHCR	129559	P2B-GTEZ-04-SHCR	129967	AN-GT-04-012-CR
	20mm	129261	P2B-GTEZ-20M-SHCR	129559	P2B-GTEZ-04-SHCR	129980	AN-GT-04-20M-CR
205	1	129262	P2B-GTEZ-100-SHCR	129560	P2B-GTEZ-05-SHCR	129968	AN-GT-05-100-CR
	25mm	129263	P2B-GTEZ-25M-SHCR	129560	P2B-GTEZ-05-SHCR	129981	AN-GT-05-25M-CR
206	1-1/8	064994	P2B-GTEZ-102-SHCR	129561	P2B-GTEZ-06-SHCR	129969	AN-GT-06-102-CR
	1-3/16	129264	P2B-GTEZ-103-SHCR	129561	P2B-GTEZ-06-SHCR	129970	AN-GT-06-103-CR
	1-1/4	@	P2B-GTEZ-104S-SHCR	129561	P2B-GTEZ-06-SHCR	129971	AN-GT-06-104-CR
	30mm	@	P2B-GTEZ-30M-SHCR	129561	P2B-GTEZ-06-SHCR	129982	AN-GT-06-30M-CR
206 (GTU)	1-1/8	@	P2B-GTUEZ-102-SHCR	129566	P2B-GTUEZ-06-SHCR	129969	AN-GT-06-102-CR
	1-3/16	129265	P2B-GTUEZ-103-SHCR	129566	P2B-GTUEZ-06-SHCR	129602	AN-GT-06-103-CR
	1-1/4	129266	P2B-GTUEZ-104S-SHCR	129566	P2B-GTUEZ-06-SHCR	129605	AN-GT-06-104S-CR
	30mm	129267	P2B-GTUEZ-30M-SHCR	129566	P2B-GTUEZ-06-SHCR	129612	AN-GT-06-30M-CR
207	1-1/4	129268	P2B-GTEZ-104-SHCR	129562	P2B-GTEZ-07-SHCR	129972	AN-GT-07-104-CR
	1-3/8	067678	P2B-GTEZ-106-SHCR	129562	P2B-GTEZ-07-SHCR	129973	AN-GT-07-106-CR
	1-7/16	129269	P2B-GTEZ-107-SHCR	129562	P2B-GTEZ-07-SHCR	129974	AN-GT-07-107-CR
	35mm	129270	P2B-GTEZ-35M-SHCR	129562	P2B-GTEZ-07-SHCR	129983	AN-GT-07-35M-CR
208	1-1/2	129271	P2B-GTEZ-108-SHCR	129563	P2B-GTEZ-08-SHCR	129975	AN-GT-08-108-CR
	40mm	@	P2B-GTEZ-40M-SHCR	129563	P2B-GTEZ-08-SHCR	129984	AN-GT-08-40M-CR
208 (GTB)	1-1/2	129272	P2B-GTBEZ-108-SHCR	129565	P2B-GTBEZ-08-SHCR	129606	AN-GT-08-108-CR
	40mm	129273	P2B-GTBEZ-40M-SHCR	129565	P2B-GTBEZ-08-SHCR	129613	AN-GT-08-40M-CR
210	1-15/16	129274	P2B-GTEZ-115-SHCR	129564	P2B-GTEZ-10-SHCR	129978	AN-GT-10-115-CR
	2	073007	P2B-GTEZ-200-SHCR	129564	P2B-GTEZ-10-SHCR	129979	AN-GT-10-200-CR
	50mm	129275	P2B-GTEZ-50M-SHCR	129564	P2B-GTEZ-10-SHCR	129986	AN-GT-10-50M-CR

E-Z Kleen mounted ball bearings

Selection/Dimensions

E-Z Kleen mounted ball bearings
 GTEZ normal duty stainless steel
 housed pillow blocks

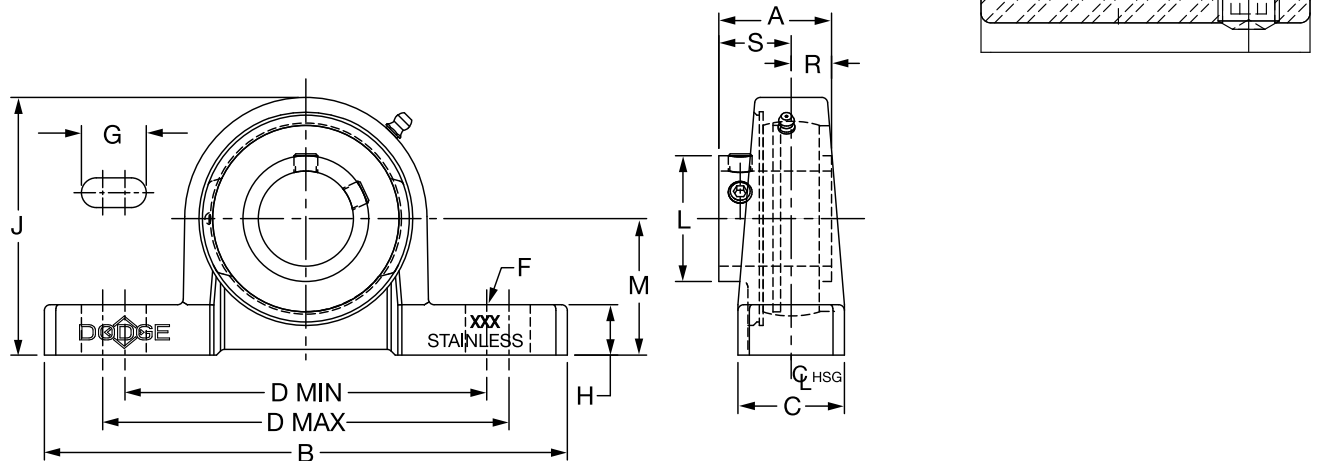
Series	Shaft size	Weight lb kg	A	B	C	D		F bolt dia.	G	H	J	L	M	R#	S#	Z
						min.	max.									
204	3/4	1.46	1.48	5.00	1.00	3.38	4.18	3/8	0.84	0.50	2.50	1.50	1.31	0.46	1.02	1.03
	20mm	0.65	37.6	127.0	25.4	85.9	106.2	M10	21.3	12.7	63.5	38.1	33.3	11.7	25.9	26.2
205	1	1.92	1.46	5.50	1.12	3.68	4.50	3/8	0.85	0.53	2.71	1.80	1.44	0.48	0.98	1.00
	25mm	0.83	37.1	139.7	28.4	93.5	114.3	M10	21.6	13.5	68.8	45.7	36.5	12.2	24.9	25.4
206	1-1/8	2.60	1.61	6.25	1.25	4.26	5.00	1/2	0.93	0.53	3.13	2.08	1.63	0.52	1.09	1.13
	1-3/16	2.60	1.61	6.25	1.25	4.26	5.00	1/2	0.93	0.53	3.13	2.08	1.63	0.52	1.09	1.13
	1-1/4	2.60	1.61	6.25	1.25	4.26	5.00	1/2	0.93	0.53	3.13	2.08	1.63	0.52	1.09	1.13
	30mm	1.18	40.9	158.8	31.8	108.2	127.0	M12	23.6	13.5	79.5	52.8	41.3	13.2	27.7	28.7
206 (GTU)	1-1/8	2.65	1.61	6.25	1.25	4.26	5.00	1/2	0.93	0.59	3.19	2.08	1.69	0.52	1.09	1.13
	1-3/16	2.65	1.61	6.25	1.25	4.26	5.00	1/2	0.93	0.59	3.19	2.08	1.69	0.52	1.09	1.13
	1-1/4	2.65	1.61	6.25	1.25	4.26	5.00	1/2	0.93	0.59	3.19	2.08	1.69	0.52	1.09	1.13
	30mm	1.18	40.9	158.8	31.8	108.2	127.0	M12	23.6	15.0	81.0	52.8	42.9	13.2	27.7	28.7
207	1-1/4	3.83	1.62	6.50	1.38	4.68	5.44	1/2	0.94	0.56	3.63	2.38	1.88	0.54	1.08	1.14
	1-3/8	3.83	1.62	6.50	1.38	4.68	5.44	1/2	0.94	0.56	3.63	2.38	1.88	0.54	1.08	1.14
	1-7/16	3.83	1.62	6.50	1.38	4.68	5.44	1/2	0.94	0.56	3.63	2.38	1.88	0.54	1.08	1.14
	35mm	1.75	41.1	165.1	35.1	118.9	138.2	M12	23.9	14.2	92.2	60.5	47.6	13.7	27.4	29.0
208	1-1/2	4.90	1.84	7.00	1.50	5.18	6.00	1/2	0.97	0.75	4.00	2.62	2.13	0.61	1.23	1.23
	40mm	2.22	46.7	177.8	38.1	131.6	152.4	M12	24.6	19.1	101.6	66.5	54.0	15.5	31.2	31.2
208 (GTB)	1-1/2	4.85	1.84	7.00	1.50	5.18	6.00	1/2	0.97	0.56	3.81	2.62	1.94	0.61	1.23	1.23
	40mm	2.22	46.7	177.8	38.1	131.6	152.4	M12	24.6	14.2	96.8	66.5	49.2	15.5	31.2	31.2
210	1-15/16	6.14	1.86	8.00	1.63	5.76	6.68	5/8	1.14	0.62	4.31	3.13	2.25	0.63	1.23	1.26
	2	6.14	1.86	8.00	1.63	5.76	6.68	5/8	1.14	0.62	4.31	3.13	2.25	0.63	1.23	1.26
	50mm	2.62	47.2	203.2	41.4	146.3	169.7	M16	29.0	15.7	109.5	79.5	57.2	16.0	31.2	32.0

#R & S dimensions will vary slightly depending on true shaft diameter

E-Z Kleen mounted ball bearings

Selection/Dimensions

E-Z Kleen mounted ball bearings
SCEZ normal duty stainless steel
housed pillow blocks



Series	Shaft size	With corrosion resistant insert		Standard insert with fingers	
		Part no.	Description	Part no.	Description
204	1/2	074512	P2B-SCEZ-008L-SHCR*	@	P2B-SCEZ-008L-SH
	5/8	068236	P2B-SCEZ-010L-SHCR*	074631	P2B-SCEZ-010L-SH
	3/4	127670	P2B-SCEZ-012-SHCR	059870	P2B-SCEZ-012-SH
	20mm	127697	P2B-SCEZ-20M-SHCR	@	P2B-SCEZ-20M-SH
205	7/8	056553	P2B-SCEZ-014-SHCR*	049996	P2B-SCEZ-014-SH
	15/16	067839	P2B-SCEZ-015-SHCR*	@	P2B-SCEZ-015-SH
	1	127671	P2B-SCEZ-100-SHCR	056796	P2B-SCEZ-100-SH
	25mm	127698	P2B-SCEZ-25M-SHCR	@	P2B-SCEZ-25M-SH
206	1-1/8	@	P2B-SCEZ-102-SHCR*	056548	P2B-SCEZ-102-SH
	1-3/16	127672	P2B-SCEZ-103-SHCR	056797	P2B-SCEZ-103-SH
	1-1/4	127674	P2B-SCEZ-104S-SHCR	067630	P2B-SCEZ-104S-SH
	30mm	@	P2B-SCEZ-30M-SHCR	@	P2B-SCEZ-30M-SH
	1-1/8	@	P2B-SCUEZ-102-SHCR*	@	P2B-SCUEZ-102-SH
206 (SCU)	1-3/16	127673	P2B-SCUEZ-103-SHCR	@	P2B-SCUEZ-103-SH
	1-1/4	127675	P2B-SCUEZ-104S-SHCR	@	P2B-SCUEZ-104S-SH
	30mm	127699	P2B-SCUEZ-30M-SHCR	@	P2B-SCUEZ-30M-SH
207	1-1/4	127676	P2B-SCEZ-104-SHCR	059798	P2B-SCEZ-104-SH
	1-3/8	@	P2B-SCEZ-106-SHCR*	056525	P2B-SCEZ-106-SH
	1-7/16	127677	P2B-SCEZ-107-SHCR	059799	P2B-SCEZ-107-SH
	35mm	127700	P2B-SCEZ-35M-SHCR	@	P2B-SCEZ-35M-SH
208	1-1/2	127678	P2B-SCEZ-108-SHCR	056565	P2B-SCEZ-108-SH
	1-5/8	@	P2B-SCEZ-110-SHCR*	062874	P2B-SCEZ-110-SH
	40mm	@	P2B-SCEZ-40M-SHCR	@	P2B-SCEZ-40M-SH
208 (SCB)	1-1/2	127679	P2B-SCBEZ-108-SHCR	@	P2B-SCBEZ-108-SH
	40mm	127701	P2B-SCBEZ-40M-SHCR	@	P2B-SCBEZ-40M-SH
210	1-11/16	@	P2B-SCMEZ-111-SHCR	@	P2B-SCMEZ-111-SH
	1-15/16	127680	P2B-SCEZ-115-SHCR	056800	P2B-SCEZ-115-SH
	2	064306	P2B-SCEZ-200-SHCR	062879	P2B-SCEZ-200-SH
	50mm	127702	P2B-SCEZ-50M-SHCR	@	P2B-SCEZ-50M-SH

@ Assembled to order * 20 piece minimum

E-Z Kleen mounted ball bearings

Selection/Dimensions

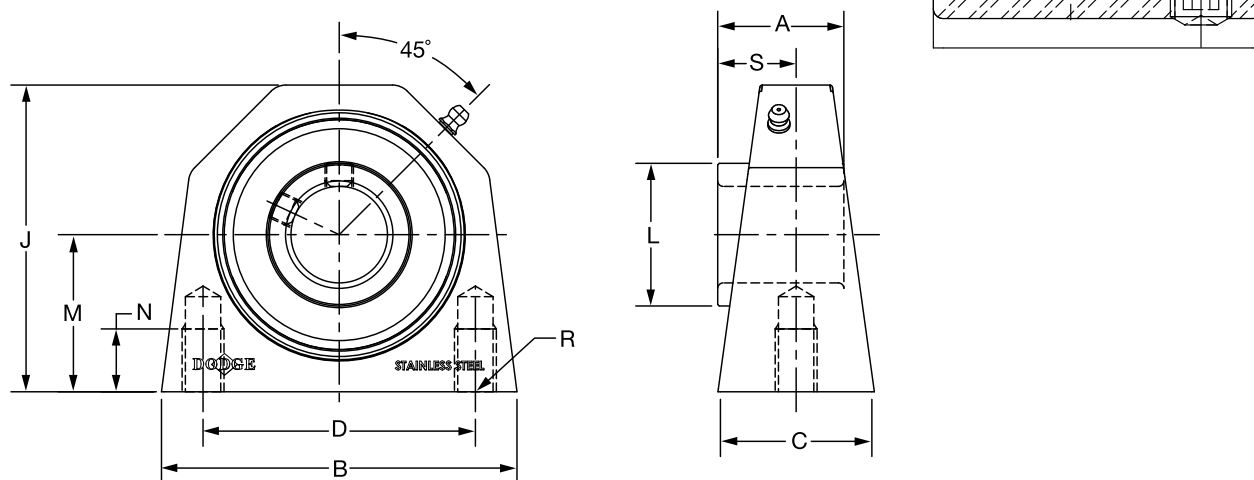
E-Z Kleen mounted ball bearings
SCEZ normal duty stainless steel
housed pillow blocks

Series	Shaft size	Weight lb kg	A	B	C	D		F bolt dia.	G	H	J	L	M	R	S
						min.	max.								
204	1/2	1.39	1.23	5.00	1.00	3.38	4.18	3/8	0.84	0.50	2.50	1.12	1.31	0.50	0.73
	5/8	1.35	1.23	5.00	1.00	3.38	4.18	3/8	0.84	0.50	2.50	1.12	1.31	0.50	0.73
	3/4	1.31	1.23	5.00	1.00	3.38	4.18	3/8	0.84	0.50	2.50	1.12	1.31	0.50	0.73
	20mm	0.59	31.2	127.0	25.4	85.9	106.2	M10	21.3	12.7	63.5	28.4	33.3	12.7	18.5
205	7/8	1.65	1.34	5.50	1.12	3.68	4.50	3/8	0.85	0.53	2.71	1.32	1.44	0.56	0.78
	15/16	1.62	1.34	5.50	1.12	3.68	4.50	3/8	0.85	0.53	2.71	1.32	1.44	0.56	0.78
	1	1.59	1.34	5.50	1.12	3.68	4.50	3/8	0.85	0.53	2.71	1.32	1.44	0.56	0.78
	25mm	0.73	34.0	139.7	28.4	93.5	114.3	M10	21.6	13.5	68.8	33.5	36.5	14.2	19.8
206	1-1/8	2.37	1.52	6.25	1.25	4.26	5.00	1/2	0.93	0.53	3.13	1.57	1.63	0.58	0.94
	1-3/16	2.33	1.52	6.25	1.25	4.26	5.00	1/2	0.93	0.53	3.13	1.57	1.63	0.58	0.94
	1-1/4	2.29	1.52	6.25	1.25	4.26	5.00	1/2	0.93	0.53	3.13	1.57	1.63	0.58	0.94
	30mm	1.06	38.6	158.8	31.8	108.2	127.0	M12	23.6	13.5	79.5	39.9	41.3	14.7	23.9
206 (SCU)	1-1/8	2.48	1.52	6.25	1.25	4.26	5.00	1/2	0.93	0.59	3.19	1.57	1.69	0.58	0.94
	1-3/16	2.44	1.52	6.25	1.25	4.26	5.00	1/2	0.93	0.59	3.19	1.57	1.69	0.58	0.94
	1-1/4	2.39	1.52	6.25	1.25	4.26	5.00	1/2	0.93	0.59	3.19	1.57	1.69	0.58	0.94
	30mm	1.11	38.6	158.8	31.8	108.2	127.0	M12	23.6	15.0	81.0	39.9	42.9	14.7	23.9
207	1-1/4	3.36	1.71	6.50	1.38	4.68	5.44	1/2	0.94	0.56	3.63	1.84	1.88	0.67	1.04
	1-3/8	3.25	1.71	6.50	1.38	4.68	5.44	1/2	0.94	0.56	3.63	1.84	1.88	0.67	1.04
	1-7/16	3.19	1.71	6.50	1.38	4.68	5.44	1/2	0.94	0.56	3.63	1.84	1.88	0.67	1.04
	35mm	1.47	43.4	165.1	35.1	118.9	138.2	M12	23.9	14.2	92.2	46.7	47.6	17.0	26.4
208	1-1/2	4.39	1.94	7.00	1.50	5.18	6.00	1/2	0.97	0.75	4.00	2.05	2.13	0.75	1.19
	1-5/8	4.39	1.94	7.00	1.50	5.18	6.00	1/2	0.97	0.75	4.00	2.05	2.13	0.75	1.19
	40mm	1.95	49.3	177.8	38.1	131.6	152.4	M12	24.6	19.1	101.6	52.1	54.0	19.1	30.2
208 (SCB)	1-1/2	3.93	1.94	7.00	1.50	5.18	6.00	1/2	0.97	0.56	3.81	2.05	1.94	0.75	1.19
	40mm	1.74	49.3	177.8	38.1	131.6	152.4	M12	24.6	14.2	96.8	52.1	49.2	19.1	30.2
210	1-11/16	5.14	1.94	8.00	1.63	5.76	6.68	5/8	1.14	0.62	4.31	2.43	2.25	0.75	1.19
	1-15/16	5.09	1.94	8.00	1.63	5.76	6.68	5/8	1.14	0.62	4.31	2.43	2.25	0.75	1.19
	2	5.09	1.94	8.00	1.63	5.76	6.68	5/8	1.14	0.62	4.31	2.43	2.25	0.75	1.19
	50mm	2.29	49.3	203.2	41.4	146.3	169.7	M16	29.0	15.7	109.5	61.7	57.2	19.1	30.2

E-Z Kleen mounted ball bearings

Selection/Dimensions

E-Z Kleen mounted ball bearings
SCEZ TB SHCR normal duty stainless steel
tapped base bearings

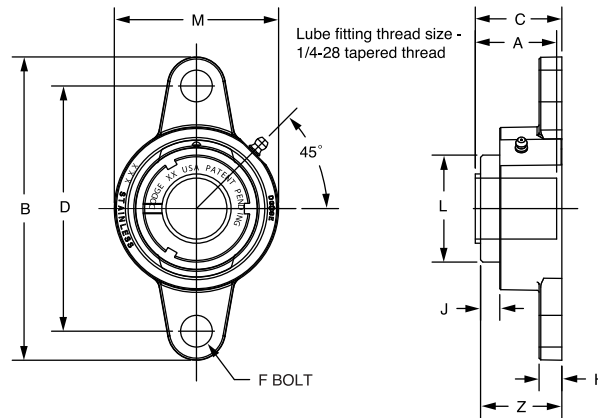
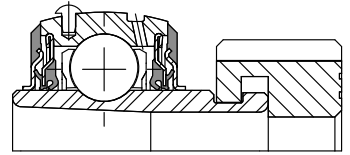


Series	Shaft size	Corrosion resistant insert		Weight lb kg	A	B	C	D	J	L	M	N	R	S
		Part no.	Description											
204	3/4	136912	TB-SCEZ-012-SHCR	1.27	1.23	2.77	1.36	2.00	2.50	1.12	1.31	0.45	3/8-16	0.73
	20mm	136955	TB-SCEZ-20M-SHCR	.58	31.2	70.4	34.5	50.8	63.5	28.4	33.4	11.4	3/8-16	18.5
205	1	136913	TB-SCEZ-100-SHCR	1.48	1.34	3.06	1.39	2.00	2.75	1.32	1.44	0.45	3/8-16	0.78
	25mm	136956	TB-SCEZ-25M-SHCR	.67	34.0	77.7	35.3	50.8	69.9	33.5	36.5	11.4	3/8-16	19.8
206	1-3/16	136914	TB-SCEZ-103-SHCR	3.55	1.52	3.84	1.50	3.00	3.22	1.57	1.69	0.88	7/16-14	0.94
	1-1/4	136915	TB-SCEZ-104S-SHCR		1.52	3.84	1.50	3.00	3.22	1.57	1.69	0.88	7/16-14	0.94
	30mm	136957	TB-SCEZ-30M-SHCR	10.61	38.6	97.5	38.1	76.2	81.8	39.9	42.9	22.4	7/16-14	23.9
207	1-1/4	136916	TB-SCEZ-104-SHCR	4.21	1.71	4.15	1.77	3.25	3.66	1.84	1.88	0.75	1/2-13	1.04
	1-7/16	136917	TB-SCEZ-107-SHCR		1.71	4.15	1.77	3.25	3.66	1.84	1.88	0.75	1/2-13	1.04
	35mm	136958	TB-SCEZ-35M-SHCR	1.91	43.4	105.4	45.0	82.6	93.0	46.7	47.6	19.1	1/2-13	26.4
208	1-1/2	136918	TB-SCEZ-108-SHCR	5.67	1.94	4.51	1.80	3.50	4.00	2.05	2.13	1.00	1/2-13	1.19
	40mm	136959	TB-SCEZ-40M-SHCR	2.57	49.3	114.6	45.7	88.9	101.6	52.1	54.0	25.4	1/2-13	30.2
210	1-15/16	136919	TB-SCEZ-115-SHCR	5.58	1.94	5.37	1.92	4.00	4.47	2.43	2.25	1.25	5/8-11	1.19
	50mm	136960	TB-SCEZ-50M-SHCR	2.53	49.3	136.4	48.8	101.6	113.5	61.7	57.2	31.8	5/8-11	30.2

E-Z Kleen mounted ball bearings

Selection/Dimensions

E-Z Kleen mounted ball bearings
GTEZ normal duty stainless steel
2-bolt flange bearings



Series	Shaft size	Complete unit		Unit without adapter		Adapter & nut assembly	
		Part no.	Description	Part no.	Description	Part no.	Description
204	3/4	129355	F2B-GTEZ-012-SHCR	129573	F2B-GTEZ-04-SHCR	129967	AN-GT-04-012-CR
	20mm	129356	F2B-GTEZ-20M-SHCR	129573	F2B-GTEZ-04-SHCR	129980	AN-GT-04-20M-CR
205	1	129357	F2B-GTEZ-100-SHCR	129574	F2B-GTEZ-05-SHCR	129968	AN-GT-05-100-CR
	25mm	129358	F2B-GTEZ-25M-SHCR	129574	F2B-GTEZ-05-SHCR	129981	AN-GT-05-25M-CR
206	1-1/8	@	F2B-GTEZ-102-SHCR	129575	F2B-GTEZ-06-SHCR	129969	AN-GT-06-102-CR
	1-3/16	129359	F2B-GTEZ-103-SHCR	129575	F2B-GTEZ-06-SHCR	129970	AN-GT-06-103-CR
	1-1/4	129360	F2B-GTEZ-104S-SHCR	129575	F2B-GTEZ-06-SHCR	129971	AN-GT-06-104S-CR
	30mm	129361	F2B-GTEZ-30M-SHCR	129575	F2B-GTEZ-06-SHCR	129982	AN-GT-06-30M-CR
207	1-1/4	129362	F2B-GTEZ-104-SHCR	129576	F2B-GTEZ-07-SHCR	129972	AN-GT-07-104-CR
	1-3/8	065694	F2B-GTEZ-106-SHCR	129576	F2B-GTEZ-07-SHCR	129973	AN-GT-07-106-CR
	1-7/16	129363	F2B-GTEZ-107-SHCR	129576	F2B-GTEZ-07-SHCR	129974	AN-GT-07-107-CR
	35mm	129364	F2B-GTEZ-35M-SHCR	129576	F2B-GTEZ-07-SHCR	129983	AN-GT-07-35M-CR
208	1-1/2	129365	F2B-GTEZ-108-SHCR	129577	F2B-GTEZ-08-SHCR	129975	AN-GT-08-108-CR
	40mm	129366	F2B-GTEZ-40M-SHCR	129577	F2B-GTEZ-08-SHCR	129984	AN-GT-08-40M-CR
210	1-15/16	129367	F2B-GTEZ-115-SHCR	129578	F2B-GTEZ-10-SHCR	129978	AN-GT-10-115-CR
	2	073008	F2B-GTEZ-200-SHCR	129578	F2B-GTEZ-10-SHCR	129979	AN-GT-10-200-CR
	50mm	129368	F2B-GTEZ-50M-SHCR	129578	F2B-GTEZ-10-SHCR	129986	AN-GT-10-50M-CR

@ Assembled to order

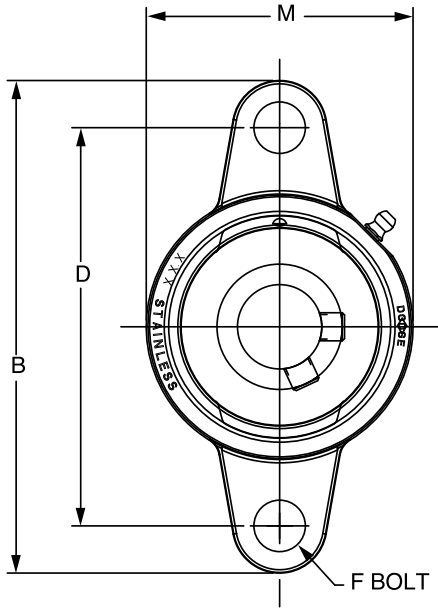
Series	Shaft size	Weight lb kg	A	B	C#	D	F bolt dia.	H	J	L	M	Z
204	3/4	1.10	1.48	4.38	1.54	3.54	3/8	0.32	0.66	1.50	2.38	1.55
	20mm	0.49	37.6	111.3	39.1	90.0	M10	8.1	16.8	38.1	60.5	39.4
205	1	1.43	1.46	4.89	1.57	3.89	3/8	0.35	0.61	1.80	2.63	1.58
	25mm	0.65	37.1	124.2	39.9	98.8	M10	8.9	15.5	45.7	66.8	40.1
206	1-1/8	2.21	1.61	5.51	1.75	4.59	3/8	0.35	0.65	2.08	3.13	1.78
	1-3/16	2.17	1.61	5.51	1.75	4.59	3/8	0.35	0.65	2.08	3.13	1.78
	1-1/4	2.13	1.61	5.51	1.75	4.59	3/8	0.35	0.65	2.08	3.13	1.78
	30mm	0.98	40.9	140.0	44.5	116.5	M10	8.9	16.5	52.8	79.5	45.2
207	1-1/4	3.12	1.62	6.18	1.80	5.12	1/2	0.42	0.64	2.38	3.50	1.86
	1-3/8	2.99	1.62	6.18	1.80	5.12	1/2	0.42	0.64	2.38	3.50	1.86
	1-7/16	2.95	1.62	6.18	1.80	5.12	1/2	0.42	0.64	2.38	3.50	1.86
	35mm	1.42	41.1	157.0	45.7	130.0	M12	10.7	16.3	60.5	88.9	47.2
208	1-1/2	3.91	1.84	6.71	2.01	5.65	1/2	0.42	0.67	2.62	3.84	2.02
	40mm	1.77	46.7	170.4	51.1	143.5	M12	10.7	17.0	66.5	97.5	51.3
210	1-15/16	4.89	1.86	7.48	2.03	6.18	5/8	0.48	0.70	3.13	4.31	2.05
	2	4.85	1.86	7.48	2.03	6.18	5/8	0.48	0.70	3.13	4.31	2.05
	50mm	2.20	47.2	190.0	51.6	157.0	M16	12.2	17.8	79.5	109.5	52.1

#C dimension will vary slightly depending on true shaft diameter.

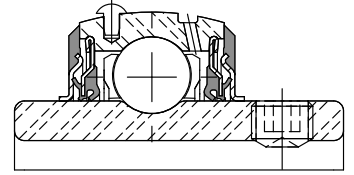
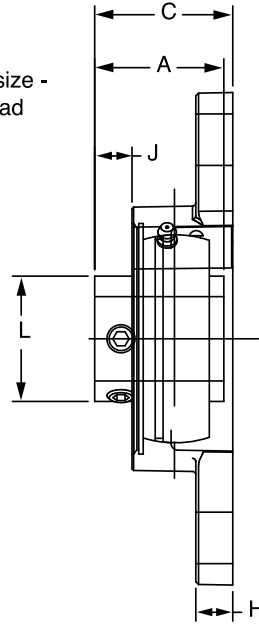
E-Z Kleen mounted ball bearings

Selection/Dimensions

E-Z Kleen mounted ball bearings
SCEZ normal duty stainless steel
2-bolt flange bearings



Lube fitting thread size -
1/4-28 tapered thread



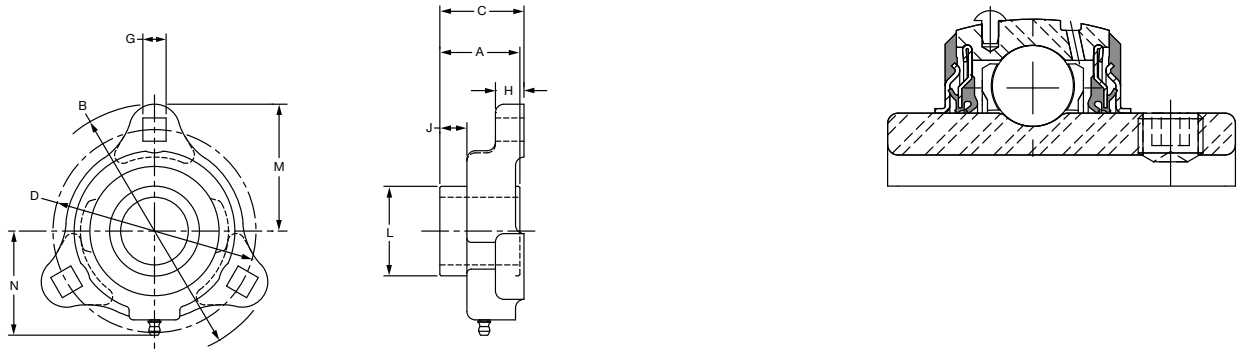
Series	Shaft size	With corrosion resistant insert		Standard insert with flingers		Weight lb kg	A	B	C	D	F bolt dia.	H	J	L	M
		Part no.	Description	Part no.	Description										
204	1/2	073396	F2B-SCEZ-008L-SHCR*	@	F2B-SCEZ-008L-SH	1.04	1.23	4.38	1.25	3.54	3/8	0.32	0.36	1.12	2.38
	5/8	062994	F2B-SCEZ-010L-SHCR*	@	F2B-SCEZ-010L-SH	0.99	1.23	4.38	1.25	3.54	3/8	0.32	0.36	1.12	2.38
	3/4	127681	F2B-SCEZ-012-SHCR	056801	F2B-SCEZ-012-SH	0.95	1.23	4.38	1.25	3.54	3/8	0.32	0.36	1.12	2.38
	20mm	127703	F2B-SCEZ-20M-SHCR	@	F2B-SCEZ-20M-SH	0.42	31.2	111.3	31.8	90.0	M10	8.1	9.1	28.4	60.5
205	7/8	@	F2B-SCEZ-014-SHCR*	064000	F2B-SCEZ-014-SH	1.25	1.34	4.89	1.37	3.89	3/8	0.35	0.39	1.32	2.63
	15/16	@	F2B-SCEZ-015-SHCR*	049686	F2B-SCEZ-015-SH	1.23	1.34	4.89	1.37	3.89	3/8	0.35	0.39	1.32	2.63
	1	127682	F2B-SCEZ-100-SHCR	056611	F2B-SCEZ-100-SH	1.21	1.34	4.89	1.37	3.89	3/8	0.35	0.39	1.32	2.63
	25mm	127704	F2B-SCEZ-25M-SHCR	@	F2B-SCEZ-25M-SH	0.55	34.0	124.2	34.8	98.8	M10	8.9	9.9	33.5	66.8
206	1-1/8	064341	F2B-SCEZ-102-SHCR	064255	F2B-SCEZ-102-SH	1.95	1.52	5.51	1.59	4.59	3/8	0.35	0.46	1.57	3.13
	1-3/16	127683	F2B-SCEZ-103-SHCR	056971	F2B-SCEZ-103-SH	1.91	1.52	5.51	1.59	4.59	3/8	0.35	0.46	1.57	3.13
	1-1/4	127684	F2B-SCEZ-104S-SHCR	056612	F2B-SCEZ-104S-SH	1.87	1.52	5.51	1.59	4.59	3/8	0.35	0.46	1.57	3.13
	30mm	127705	F2B-SCEZ-30M-SHCR	@	F2B-SCEZ-30M-SH	0.87	38.6	140.0	40.4	116.5	M10	8.9	11.7	39.9	79.5
207	1-1/4	127685	F2B-SCEZ-104-SHCR	056802	F2B-SCEZ-104-SH	2.64	1.71	6.18	1.76	5.12	1/2	0.42	0.55	1.84	3.50
	1-3/8	056734	F2B-SCEZ-106-SHCR*	@	F2B-SCEZ-106-SH	2.53	1.71	6.18	1.76	5.12	1/2	0.42	0.55	1.84	3.50
	1-7/16	127686	F2B-SCEZ-107-SHCR	056803	F2B-SCEZ-107-SH	2.47	1.71	6.18	1.76	5.12	1/2	0.42	0.55	1.84	3.50
35mm	127706	F2B-SCEZ-35M-SHCR	@	F2B-SCEZ-35M-SH	1.15	43.4	157.0	44.7	130.0	M12	10.7	14.0	46.7	88.9	
208	1-1/2	127687	F2B-SCEZ-108-SHCR	056804	F2B-SCEZ-108-SH	3.40	1.94	6.71	1.97	5.65	1/2	0.42	0.63	2.05	3.84
	1-5/8	068283	F2B-SCEZ-110-SHCR	—	—	3.10	1.94	6.71	1.97	5.65	1/2	0.42	0.63	2.05	3.84
	40mm	127707	F2B-SCEZ-40M-SHCR	075248	F2B-SCEZ-40M-SH	1.50	49.3	170.4	50.0	143.5	M12	10.7	16.0	52.1	97.5
210	1-11/16	@	F2B-SCMEZ-111-SHCR*	056552	F2B-SCMEZ-111-SH	4.21	1.94	7.48	1.98	6.18	5/8	0.48	0.63	2.43	4.31
	1-15/16	127688	F2B-SCEZ-115-SHCR	056805	F2B-SCEZ-115-SH	4.17	1.94	7.48	1.98	6.18	5/8	0.48	0.63	2.43	4.31
	2	062913	F2B-SCEZ-200-SHCR	056964	F2B-SCEZ-200-SH	4.13	1.94	7.48	1.98	6.18	5/8	0.48	0.63	2.43	4.31
50mm	127708	F2B-SCEZ-50M-SHCR	@	F2B-SCEZ-50M-SH	1.87	49.3	190.0	50.3	157.0	M16	12.2	16.0	61.7	109.5	

@ Assembled to order *20 piece minimum

E-Z Kleen mounted ball bearings

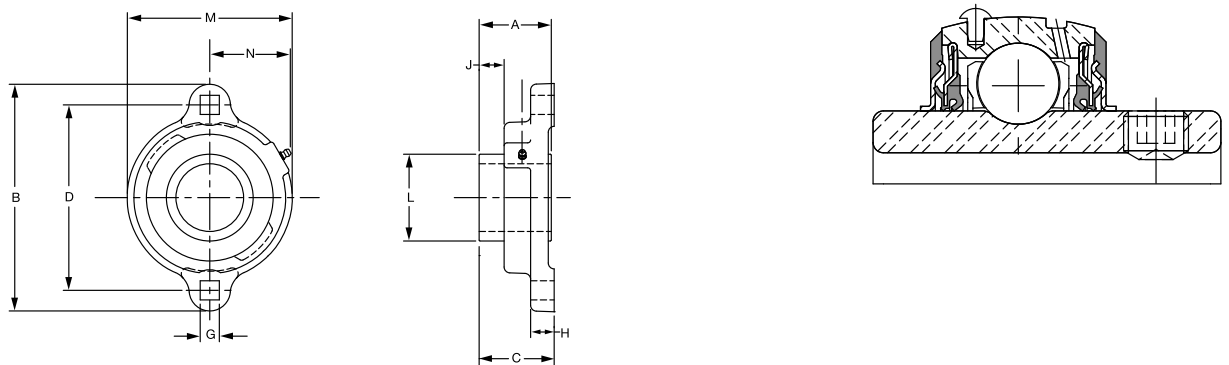
Selection/Dimensions

E-Z Kleen mounted ball bearings
SCEZ LF SHCR normal duty stainless steel
3-bolt flange bearings



Series	Shaft size	Corrosion resistant insert		Weight lb kg	A	B	C	D	G	H	J	L	M	N
		Part no.	Description											
204	3/4	136927	LF-SCEZ-012-SHCR	.64	1.02	3.56	1.24	2.81	0.34	0.58	0.37	1.12	1.78	1.55
	20 mm	136966	LF-SCEZ-20M-SHCR	.29	25.9	90.4	31.6	71.4	8.6	14.7	9.3	28.4	45.2	39.4
205	1	136928	LF-SCEZ-100-SHCR	.80	1.06	3.75	1.34	3.00	0.34	0.50	0.37	1.32	1.88	1.67
	25 mm	136967	LF-SCEZ-25M-SHCR	.36	26.8	95.3	34.1	76.2	8.6	12.7	9.5	33.5	47.8	42.4
206	1-3/16	136929	LF-SCEZ-103-SHCR	1.23	1.26	4.44	1.56	3.56	0.41	0.61	0.48	1.57	2.22	1.98
	1-1/4	136930	LF-SCEZ-104S-SHCR	1.23	1.26	4.44	1.56	3.56	0.41	0.61	0.48	1.57	2.22	1.98
	30 mm	136968	LF-SCEZ-30M-SHCR	.56	32.0	112.8	39.6	90.4	10.4	15.5	12.1	39.9	56.4	50.3
207	1-1/4	136931	LF-SCEZ-104-SHCR	1.73	1.40	4.81	1.73	3.94	0.41	0.67	0.53	1.84	2.41	2.09
	1-7/16	136932	LF-SCEZ-107-SHCR	1.73	1.40	4.81	1.73	3.94	0.41	0.67	0.53	1.84	2.41	2.09
	35 mm	136969	LF-SCEZ-35M-SHCR	.78	35.7	122.2	44.0	100.1	10.4	17.1	13.6	46.7	61.2	53.1

E-Z Kleen mounted ball bearings
SCEZ SHCR normal duty stainless steel
housed 2-bolt flange bearings

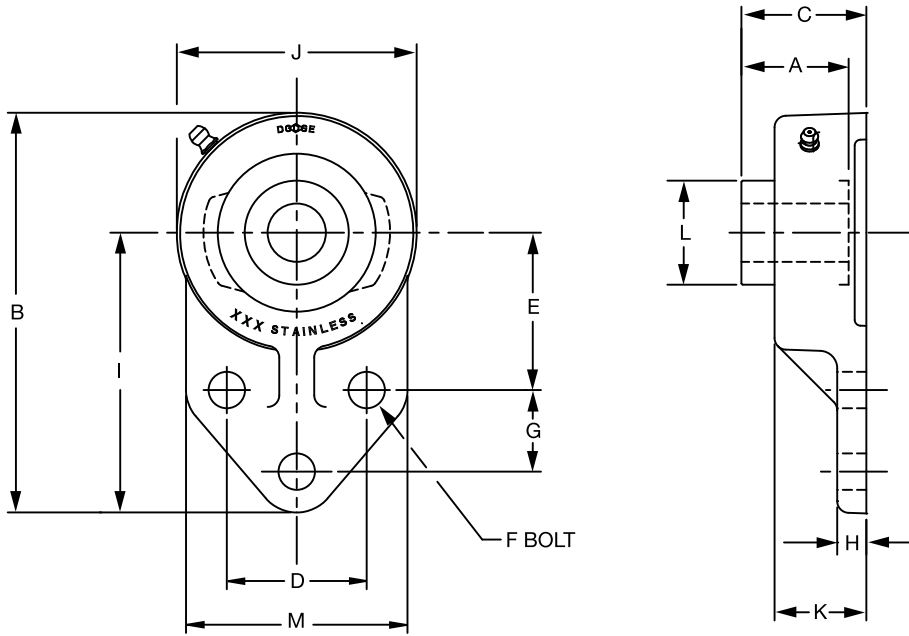
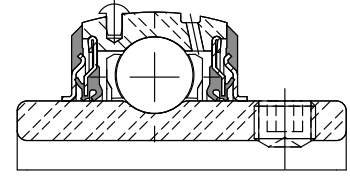


Series	Shaft size	Corrosion resistant insert		Weight lb kg	A	B	C	D	G	H	J	L	M	N
		Part no.	Description											
204	3/4	136933	LFT-SCEZ-012-SHCR	.68	1.02	3.56	1.24	2.81	0.34	0.58	0.37	1.12	2.38	1.34
	20 mm	136970	LFT-SCEZ-20M-SHCR	.31	25.9	90.4	31.6	71.4	8.6	14.7	9.3	28.4	60.5	34.0
205	1	136934	LFT-SCEZ-100-SHCR	.84	1.06	3.75	1.34	3.00	0.34	0.50	0.37	1.32	2.63	1.44
	25 mm	136971	LFT-SCEZ-25M-SHCR	.38	26.8	95.3	34.1	76.2	8.6	12.7	9.5	33.5	66.8	36.6
206	1-3/16	136935	LFT-SCEZ-103-SHCR	1.28	1.26	4.44	1.56	3.56	0.41	0.61	0.48	1.57	3.25	1.72
	1-1/4	136936	LFT-SCEZ-104S-SHCR	1.28	1.26	4.44	1.56	3.56	0.41	0.61	0.48	1.57	3.25	1.72
	30 mm	136972	LFT-SCEZ-30M-SHCR	.58	32.0	112.8	39.6	90.4	10.4	15.5	12.1	39.9	82.6	43.7
207	1-1/4	136937	LFT-SCEZ-104-SHCR	1.77	1.40	4.81	1.73	3.94	0.41	0.67	0.53	1.84	3.50	1.83
	1-7/16	136938	LFT-SCEZ-107-SHCR	1.77	1.40	4.81	1.73	3.94	0.41	0.67	0.53	1.84	3.50	1.83
	35 mm	136973	LFT-SCEZ-35M-SHCR	.80	35.7	122.2	44.0	100.1	10.4	17.1	13.6	46.7	88.9	46.5

E-Z Kleen mounted ball bearings

Selection/Dimensions

E-Z Kleen mounted ball bearings
SCEZ SHCR normal duty stainless steel
flange bracket bearings

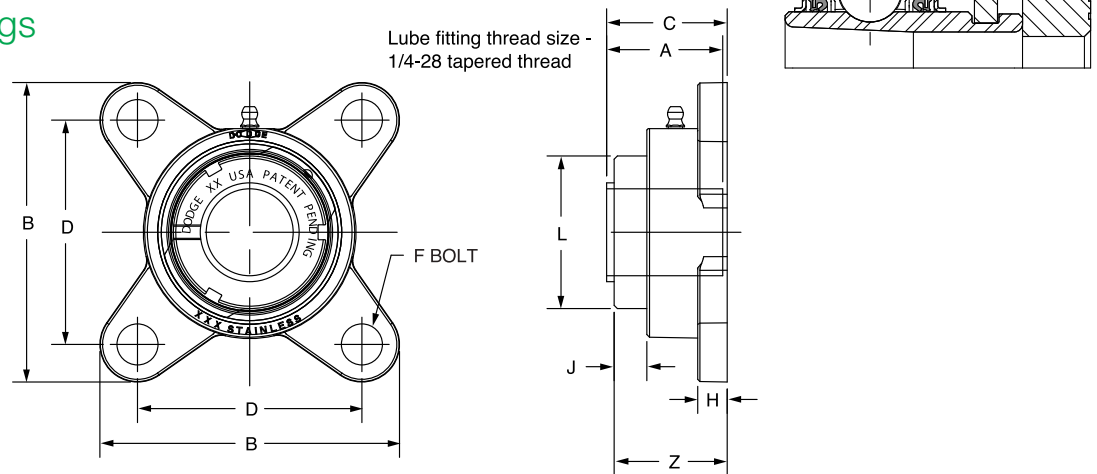


Series	Shaft size	Corrosion resistant insert		Weight lb kg	A	B	C	D	E	F bolt dia.	G	H	I	J	K	L	M
		Part no.	Description														
204	3/4	136920	FB-SCEZ-012-SHCR	1.00	1.23	4.19	1.25	1.50	1.69	3/8	0.88	0.31	3.00	2.38	0.90	1.12	2.38
	20mm	136961	FB-SCEZ-20M-SHCR	.45	31.2	106.4	31.8	38.1	42.9	M10	22.4	7.9	76.2	60.5	22.9	28.4	60.5
205	1	136921	FB-SCEZ-100-SHCR	1.26	1.34	4.69	1.37	1.63	1.81	3/8	1.13	0.38	3.38	2.63	0.98	1.32	2.50
	25mm	136962	FB-SCEZ-25M-SHCR	.52	34.0	119.1	34.8	41.4	46.0	M10	28.7	9.7	85.9	66.8	24.9	33.5	63.5
206	1-3/16	136922	FB-SCEZ-103-SHCR	1.96	1.52	5.31	1.59	1.88	2.06	3/8	1.25	0.38	3.75	3.13	1.14	1.57	2.75
	1-1/4	136923	FB-SCEZ-104S-SHCR	1.96	1.52	5.31	1.59	1.88	2.06	3/8	1.25	0.38	3.75	3.13	1.14	1.57	2.75
	30mm	136963	FB-SCEZ-30M-SHCR	.89	38.6	134.9	40.4	47.8	52.3	M10	31.8	9.7	95.3	79.5	29.0	39.9	69.9
207	1-1/4	136924	FB-SCEZ-104-SHCR	2.87	1.71	6.00	1.76	2.00	2.38	1/2	1.25	0.50	4.25	3.50	1.22	1.84	3.25
	1-7/16	136925	FB-SCEZ-107-SHCR	2.87	1.71	6.00	1.76	2.00	2.38	1/2	1.25	0.50	4.25	3.50	1.22	1.84	3.25
	35mm	136964	FB-SCEZ-35M-SHCR	1.3	43.4	152.4	44.7	50.8	60.5	M12	31.8	12.7	108.0	88.9	31.0	46.7	82.6
210	1-15/16	136926	FB-SCEZ-115-SHCR	4.47	1.94	7.34	1.98	2.75	2.94	1/2	1.63	0.50	5.19	4.31	1.35	2.43	4.00
	2	@	FB-SCEZ-200-SHCR	4.47	1.94	7.34	1.98	2.75	2.94	1/2	1.63	0.50	5.19	4.31	1.35	2.43	4.00
	50mm	136965	FB-SCEZ-50M-SHCR	2.03	49.3	186.4	50.3	69.9	74.7	M12	41.4	12.7	131.8	109.5	34.3	61.7	101.6

E-Z Kleen mounted ball bearings

Selection/Dimensions

E-Z Kleen mounted ball bearings
GTEZ normal duty stainless steel
4-bolt flange bearings



Series	Shaft size	Complete unit		Unit without adapter		Adapter & nut assembly	
		Part no.	Description	Part no.	Description	Part no.	Description
204	3/4	129721	F4B-GTEZ-012-SHCR	129567	F4B-GTEZ-04-SHCR	129967	AN-GT-04-012-CR
	20mm	129722	F4B-GTEZ-20M-SHCR	129567	F4B-GTEZ-04-SHCR	129980	AN-GT-04-20M-CR
205	1	129723	F4B-GTEZ-100-SHCR	129568	F4B-GTEZ-05-SHCR	129968	AN-GT-05-100-CR
	25mm	129724	F4B-GTEZ-25M-SHCR	129568	F4B-GTEZ-05-SHCR	129981	AN-GT-05-25M-CR
206	1 -1/8	075913	F4B-GTEZ-102-SHCR	129569	F4B-GTEZ-06-SHCR	129969	AN-GT-06-102-CR
	1 -3/16	129725	F4B-GTEZ-103-SHCR	129569	F4B-GTEZ-06-SHCR	129970	AN-GT-06-103-CR
	1 -1/4	129726	F4B-GTEZ-104S-SHCR	129569	F4B-GTEZ-06-SHCR	129971	AN-GT-06-104S-CR
	30mm	129727	F4B-GTEZ-30M-SHCR	129569	F4B-GTEZ-06-SHCR	129982	AN-GT-06-30M-CR
207	1 -1/4	129728	F4B-GTEZ-104-SHCR	129570	F4B-GTEZ-07-SHCR	129972	AN-GT-07-104-CR
	1 -3/8	064993	F4B-GTEZ-106-SHCR	129570	F4B-GTEZ-07-SHCR	129973	AN-GT-07-106-CR
	1 -7/16	129729	F4B-GTEZ-107-SHCR	129570	F4B-GTEZ-07-SHCR	129974	AN-GT-07-107-CR
	35mm	129730	F4B-GTEZ-35M-SHCR	129570	F4B-GTEZ-07-SHCR	129983	AN-GT-07-35M-CR
208	1 -1/2	129731	F4B-GTEZ-108-SHCR	129571	F4B-GTEZ-08-SHCR	129975	AN-GT-08-108-CR
	40mm	129732	F4B-GTEZ-40M-SHCR	129571	F4B-GTEZ-08-SHCR	129984	AN-GT-08-40M-CR
210	1-15/16	129733	F4B-GTEZ-115-SHCR	129572	F4B-GTEZ-10-SHCR	129978	AN-GT-10-115-CR
	2	062901	F4B-GTEZ-200-SHCR	129572	F4B-GTEZ-10-SHCR	129979	AN-GT-10-200-CR
	50mm	129734	F4B-GTEZ-50M-SHCR	129572	F4B-GTEZ-10-SHCR	129986	AN-GT-10-50M-CR

@ Assembled to order

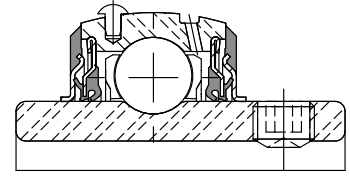
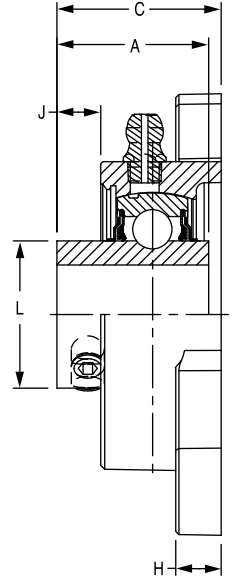
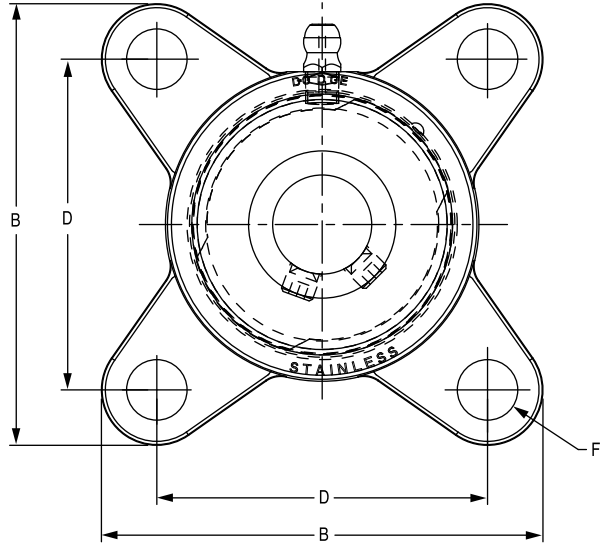
Series	Shaft size	Weight lb kg	A	B	C#	D	F bolt dia.	H	J	L	Z
204	3/4	1.23	1.48	3.35	1.54	2.51	3/8	0.34	0.66	1.50	1.55
	20mm	0.55	37.6	85.1	39.1	63.6	M10	8.6	16.8	38.1	39.4
205	1	1.69	1.46	3.75	1.57	2.75	3/8	0.37	0.61	1.80	1.58
	25mm	0.73	37.1	95.3	39.9	69.9	M10	9.4	15.5	45.7	40.1
206	1 -1/8	2.41	1.61	4.16	1.75	3.24	3/8	0.37	0.65	2.08	1.78
	1 -3/16	2.41	1.61	4.16	1.75	3.24	3/8	0.37	0.65	2.08	1.78
	1 -1/4	2.41	1.61	4.16	1.75	3.24	3/8	0.37	0.65	2.08	1.78
	30mm	1.07	40.9	105.7	44.5	82.4	M10	9.4	16.5	52.8	45.2
207	1 -1/4	3.42	1.62	4.68	1.80	3.62	1/2	0.42	0.64	2.38	1.86
	1 -3/8	3.42	1.62	4.68	1.80	3.62	1/2	0.42	0.64	2.38	1.86
	1 -7/16	3.42	1.62	4.68	1.80	3.62	1/2	0.42	0.64	2.38	1.86
	35mm	1.56	41.1	118.9	45.7	92.0	M12	10.7	16.3	60.5	47.2
208	1 -1/2	4.21	1.84	5.06	2.01	4.00	1/2	0.43	0.67	2.62	2.02
	40mm	1.91	46.7	128.5	51.1	101.5	M12	10.9	17.0	66.5	51.3
210	1-15/16	5.33	1.86	5.67	2.03	4.37	5/8	0.49	0.70	3.13	2.05
	2	5.33	1.86	5.67	2.03	4.37	5/8	0.49	0.70	3.13	2.05
	50mm	2.39	47.2	144.0	51.6	111.0	M16	12.4	17.8	79.5	52.1

#C dimension will vary slightly depending on true shaft diameter.

E-Z Kleen mounted ball bearings

Selection/Dimensions

E-Z Kleen mounted ball bearings
SCEZ normal duty stainless steel
4-bolt flange bearings



Series	Shaft size	With corrosion resistant insert		With insert with flingers		Weight lb kg	A	B	C	D	F bolt dia.	H	J	L
		Part no.	Description	Part no.	Description									
204	1/2	@	F4B-SCEZ-008L-SHCR*	@	F4B-SCEZ-008L-SH	1.16	1.23	3.35	1.25	2.51	3/8	0.34	0.34	1.12
	5/8	@	F4B-SCEZ-010L-SHCR*	@	F4B-SCEZ-010L-SH	1.12	1.23	3.35	1.25	2.51	3/8	0.34	0.34	1.12
	3/4	127689	F4B-SCEZ-012-SHCR	056806	F4B-SCEZ-012-SH	1.08	1.23	3.35	1.25	2.51	3/8	0.34	0.34	1.12
	20mm	127709	F4B-SCEZ-20M-SHCR	@	F4B-SCEZ-20M-SH	0.49	31.2	85.1	31.8	63.6	M10	8.6	8.6	28.4
205	7/8	065600	F4B-SCEZ-014-SHCR*	@	F4B-SCEZ-014-SH	1.47	1.34	3.75	1.37	2.75	3/8	0.37	0.38	1.32
	15/16	@	F4B-SCEZ-015-SHCR*	@	F4B-SCEZ-015-SH	1.43	1.34	3.75	1.37	2.75	3/8	0.37	0.38	1.32
	1	127690	F4B-SCEZ-100-SHCR	056593	F4B-SCEZ-100-SH	1.39	1.34	3.75	1.37	2.75	3/8	0.37	0.38	1.32
	25mm	127710	F4B-SCEZ-25M-SHCR	@	F4B-SCEZ-25M-SH	0.63	34.0	95.3	34.8	69.9	M10	9.4	9.7	33.5
206	1-1/8	@	F4B-SCEZ-102-SHCR*	049477	F4B-SCEZ-102-SH	2.13	1.52	4.16	1.59	3.24	3/8	0.37	0.45	1.57
	1-3/16	127691	F4B-SCEZ-103-SHCR	056807	F4B-SCEZ-103-SH	2.09	1.52	4.16	1.59	3.24	3/8	0.37	0.45	1.57
	1-1/4	127692	F4B-SCEZ-104S-SHCR	@	F4B-SCEZ-104S-SH	2.05	1.52	4.16	1.59	3.24	3/8	0.37	0.45	1.57
	30mm	127711	F4B-SCEZ-30M-SHCR	@	F4B-SCEZ-30M-SH	0.95	38.6	105.7	40.4	82.4	M10	9.4	11.4	39.9
207	1-1/4	127693	F4B-SCEZ-104-SHCR	056633	F4B-SCEZ-104-SH	2.95	1.71	4.68	1.76	3.62	1/2	0.42	0.55	1.84
	1-3/8	062835	F4B-SCEZ-106-SHCR*	@	F4B-SCEZ-106-SH	2.83	1.71	4.68	1.76	3.62	1/2	0.42	0.55	1.84
	1-7/16	127694	F4B-SCEZ-107-SHCR	056808	F4B-SCEZ-107-SH	2.78	1.71	4.68	1.76	3.62	1/2	0.42	0.55	1.84
	35mm	127712	F4B-SCEZ-35M-SHCR	@	F4B-SCEZ-35M-SH	1.29	43.4	118.9	44.7	92.0	M12	10.7	14.0	46.7
208	1-1/2	127695	F4B-SCEZ-108-SHCR	056809	F4B-SCEZ-108-SH	3.70	1.94	5.06	1.97	4.00	1/2	0.43	0.62	2.05
	1-5/8	@	F4B-SCEZ-110-SHCR*	062340	F4B-SCEZ-110-SH	3.70	1.94	5.06	1.97	4.00	1/2	0.43	0.62	2.05
	40mm	127713	F4B-SCEZ-40M-SHCR	@	F4B-SCEZ-40M-SH	1.64	49.3	128.5	50.0	101.5	M12	10.9	15.7	52.1
210	1-11/16	@	F4B-SCMEZ-111-SHCR*	@	F4B-SCMEZ-111-SH	4.64	1.94	5.67	1.98	4.37	5/8	0.49	0.62	2.43
	1-3/4	@	F4B-SCMEZ-112-SHCR*	065945	F4B-SCMEZ-112-SH	4.40	1.94	5.67	1.98	4.37	5/8	0.49	0.62	2.43
	1-15/16	127696	F4B-SCEZ-115-SHCR	056810	F4B-SCEZ-115-SH	4.60	1.94	5.67	1.98	4.37	5/8	0.49	0.62	2.43
	2	062542	F4B-SCEZ-200-SHCR	@	F4B-SCEZ-200-SH	4.56	1.94	5.67	1.98	4.37	5/8	0.49	0.62	2.43
50mm	127714	F4B-SCEZ-50M-SHCR	@	F4B-SCEZ-50M-SH	2.07	49.3	144.0	50.3	111.0	M16	12.4	15.7	61.7	

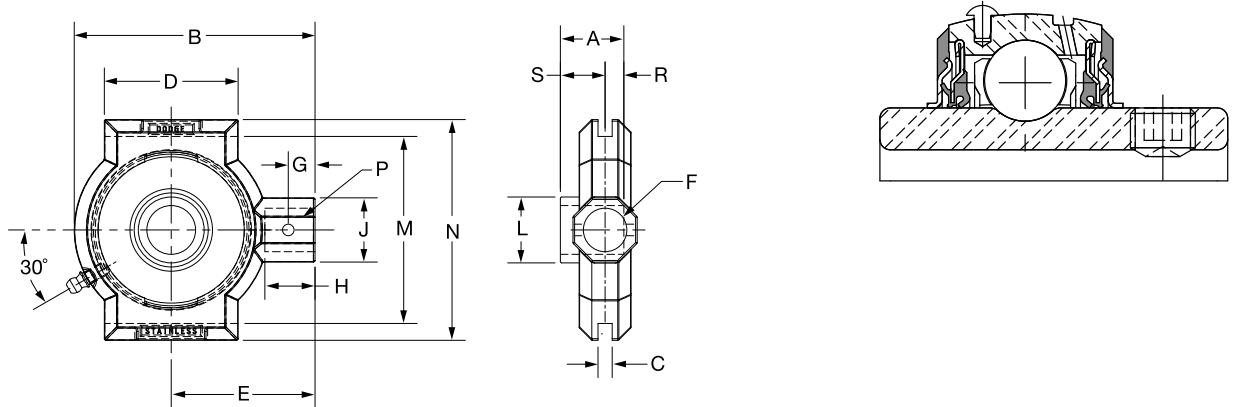
@ Assembled to order

*20 piece minimum

E-Z Kleen mounted ball bearings

Selection/Dimensions

E-Z Kleen mounted ball bearings
SCEZ SHCR normal duty stainless steel
narrow slot take-up bearings



Series	Shaft size	Standard		Weight lb kg	Take-up frame no. ref.	A	B	C	D	E
		Part no.	Description							
204	3/4	136939	NSTU-SCEZ-012-SHCR	1.16	NS210	1.23	3.49	0.265	1.50	2.19
	20mm	136974	NSTU-SCEZ-20M-SHCR	.53	NS210	31.2	88.6	6.73	38.1	55.6
205	1	136940	NSTU-SCEZ-100-SHCR	1.06	NS210	1.34	3.49	0.265	1.50	2.19
	25mm	136975	NSTU-SCEZ-25M-SHCR	.48	NS210	34.0	88.6	6.73	38.1	55.6
206	1-3/16	136941	NSTU-SCEZ-103-SHCR	2.51	NS308	1.52	4.50	0.265	2.50	2.69
	1-1/4	136942	NSTU-SCEZ-104S-SHCR	2.51	NS308	1.52	4.50	0.265	2.50	2.69
	30mm	136976	NSTU-SCEZ-30M-SHCR	1.14	NS308	38.6	114.3	6.73	63.5	68.3
207	1-1/4	136943	NSTU-SCEZ-104-SHCR	2.42	NS308	1.71	4.50	0.265	2.50	2.69
	1-7/16	136944	NSTU-SCEZ-107-SHCR	2.42	NS308	1.71	4.50	0.265	2.50	2.69
	35mm	136977	NSTU-SCEZ-35M-SHCR	1.10	NS308	43.4	114.3	6.73	63.5	68.3
208	1-1/2	136945	NSTU-SCEZ-108-SHCR	4.16	NS400	1.94	5.38	0.328	3.00	3.25
	40mm	136978	NSTU-SCEZ-40M-SHCR	1.89	NS400	49.3	136.7	8.33	76.2	82.6
210	1-15/16	136946	NSTU-SCEZ-115-SHCR	3.87	NS400	1.94	5.50	0.328	3.00	3.25
	2	136997	NSTU-SCEZ-200-SHCR	3.87	NS400	1.94	5.50	0.328	3.00	3.25
	50mm	136979	NSTU-SCEZ-50M-SHCR	1.76	NS400	49.3	139.7	8.33	76.2	82.6

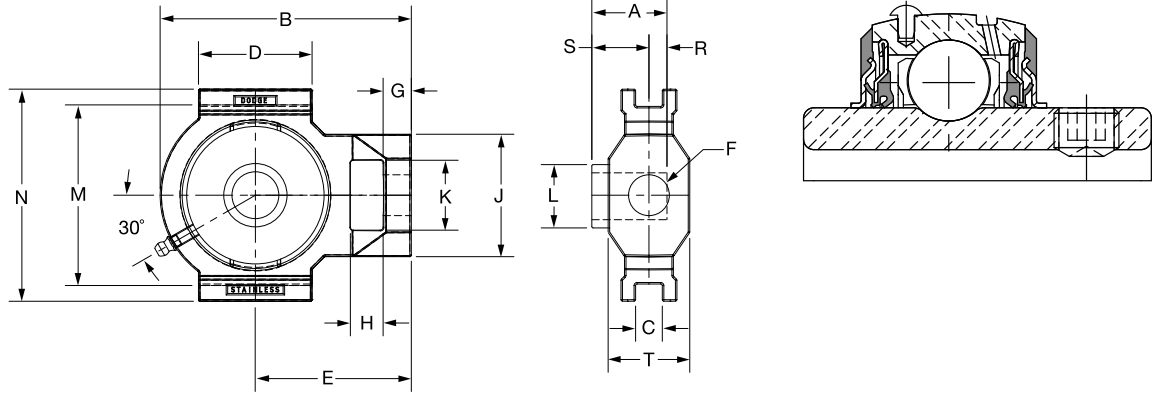
@ Assembled to order

Series	Shaft size	F screw dia.	G	H	J	L	M	N	P pin dia.	R	S
204	3/4	3/4	0.44	0.88	1.20	1.12	2.635/2.605	3.13	0.32	0.50	0.73
	20mm	19.1	11.2	22.4	30.5	28.4	66.93/66.17	79.5	8.1	12.7	18.5
205	1	3/4	0.44	0.88	1.20	1.32	2.635/2.605	3.13	0.32	0.56	0.78
	25mm	19.1	11.2	22.4	30.5	33.5	66.93/66.17	79.5	8.1	14.2	19.8
206	1-3/16	3/4	0.50	0.94	1.20	1.57	3.510/3.480	4.13	0.32	0.58	0.94
	1-1/4	3/4	0.50	0.94	1.20	1.57	3.510/3.480	4.13	0.32	0.58	0.94
	30mm	19.1	12.7	23.9	30.5	39.9	89.15/88.39	104.9	8.1	14.7	23.9
207	1-1/4	3/4	0.50	0.94	1.20	1.84	3.510/3.480	4.13	0.32	0.67	1.04
	1-7/16	3/4	0.50	0.94	1.20	1.84	3.510/3.480	4.13	0.32	0.67	1.04
	35mm	19.1	12.7	23.8	30.5	46.7	89.15/88.39	104.9	8.1	17.0	26.4
208	1-1/2	1	0.66	1.16	1.50	2.05	4.015/3.985	4.75	0.38	0.75	1.19
	40mm	25.4	16.8	29.5	38.1	52.1	101.98/101.22	120.7	9.7	19.1	30.2
210	1-15/16	1	0.66	1.16	1.50	2.43	4.015/3.985	4.75	0.38	0.75	1.19
	2	1	0.66	1.16	1.50	2.43	4.015/3.985	4.75	0.38	0.75	1.19
	50mm	25.4	16.8	29.5	38.1	61.7	101.98/101.22	120.7	9.7	19.1	30.2

E-Z Kleen mounted ball bearings

Selection/Dimensions

E-Z Kleen mounted ball bearings
SCEZ SHCR normal duty stainless steel
wide slot take-up bearings



Series	Shaft size	Standard		Weight lb kg	Take-up frame no. ref.	A	B	C	D	E
		Part no.	Description							
204	3/4	136947	WSTU-SCEZ-012-SHCR	2.14	WS300	1.23	3.97	0.530	2.20	2.56
	20mm	136980	WSTU-SCEZ-20M-SHCR	.97	WS300	31.2	100.8	13.46	55.9	65.0
205	1	136948	WSTU-SCEZ-100-SHCR	2.03	WS300	1.34	3.97	0.530	2.20	2.56
	25mm	136981	WSTU-SCEZ-25M-SHCR	.92	WS300	34.0	100.8	13.46	55.9	65.0
206	1-3/16	136949	WSTU-SCEZ-103-SHCR	3.31	WS308	1.52	4.99	0.530	2.26	3.10
	1-1/4	136950	WSTU-SCEZ-104S-SHCR		WS308	1.52	4.99	0.530	2.26	3.10
	30mm	136982	WSTU-SCEZ-30M-SHCR	1.50	WS308	38.6	126.7	13.46	57.4	78.7
207	1-1/4	136951	WSTU-SCEZ-104-SHCR	3.21	WS308	1.71	4.99	0.530	2.26	3.10
	1-7/16	136952	WSTU-SCEZ-107-SHCR		WS308	1.71	4.99	0.530	2.26	3.10
	35mm	136983	WSTU-SCEZ-35M-SHCR	1.46	WS308	43.4	126.7	13.46	57.4	78.7
208	1-1/2	136953	WSTU-SCEZ-108-SHCR	4.60	WS400	1.94	5.63	0.688	3.25	3.50
	40mm	136984	WSTU-SCEZ-40M-SHCR	2.09	WS400	49.3	143.0	17.48	82.6	88.9
210	1-15/16	136954	WSTU-SCEZ-115-SHCR	4.12	WS400	1.94	5.63	0.688	3.25	3.50
	2	136998	WSTU-SCEZ-200-SHCR		WS400	1.94	5.63	0.688	3.25	3.50
	50mm	136985	WSTU-SCEZ-50M-SHCR	1.87	WS400	49.3	143.0	17.48	82.6	88.9

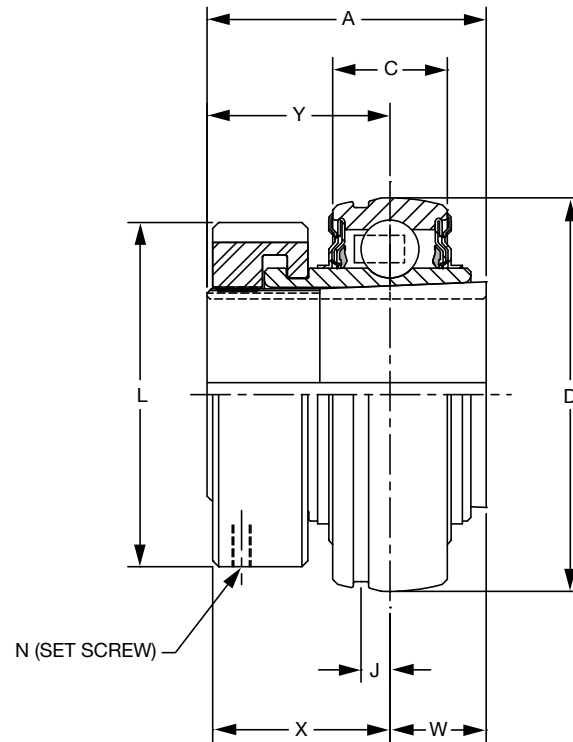
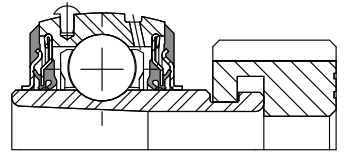
@ Assembled to order

Series	Shaft size	F screw dia.	G	H	J	K	L	M	N	R	S	T
204	3/4	5/8	0.56	0.65	2.12	1.15	1.12	3.025/2.995	3.63	0.50	0.73	1.38
	20mm	15.9	14.2	16.5	53.8	29.2	28.4	76.84/76.07	92.2	12.7	18.5	35.1
205	1	5/8	0.56	0.65	2.12	1.15	1.32	3.025/2.995	3.63	0.56	0.78	1.38
	25mm	15.9	14.2	16.5	53.8	29.2	33.5	76.84/76.07	92.2	14.2	19.8	35.1
206	1-3/16	3/4	0.56	0.65	2.43	1.39	1.57	3.540/3.510	4.20	0.58	0.94	1.62
	1-1/4	3/4	0.56	0.65	2.43	1.39	1.57	3.540/3.510	4.20	0.58	0.94	1.62
	30mm	19.1	14.2	16.5	61.7	35.3	39.9	89.92/89.15	106.7	14.7	23.9	41.1
207	1-1/4	3/4	0.56	0.65	2.43	1.39	1.84	3.540/3.510	4.20	0.67	1.04	1.62
	1-7/16	3/4	0.56	0.65	2.43	1.39	1.84	3.540/3.510	4.20	0.67	1.04	1.62
	35mm	19.1	14.2	16.5	61.7	35.3	46.7	89.92/89.15	106.7	17.0	26.4	41.1
208	1-1/2	1	0.63	0.75	2.75	1.94	2.05	4.015/3.985	4.50	0.75	1.19	1.62
	40mm	25.4	16.0	19.1	69.9	49.3	52.1	101.98/101.22	114.3	19.1	30.2	41.1
210	1-15/16	1	0.63	0.75	2.75	1.94	2.43	4.015/3.985	4.50	0.75	1.19	1.62
	2	1	0.63	0.75	2.75	1.94	2.43	4.015/3.985	4.50	0.75	1.19	1.62
	50mm	25.4	16.0	19.1	69.9	49.3	61.7	101.98/101.22	114.3	19.1	30.2	41.1

E-Z Kleen mounted ball bearings

Selection/Dimensions

E-Z Kleen mounted ball bearings
GT normal duty bearing inserts for
E-Z Kleen bearings



Series	Shaft size	Complete unit		Unit without adapter		Adapter & nut assembly	
		Part no.	Description	Part no.	Description	Part no.	Description
204	3/4	129825	INS-GT-012-CR	129579	INS-GT-04-CR	129967	AN-GT-04-012-CR
	20mm	129826	INS-GT-20M-CR	129579	INS-GT-04-CR	129980	AN-GT-04-20M-CR
205	1	129827	INS-GT-100-CR	129580	INS-GT-05-CR	129968	AN-GT-05-100-CR
	25mm	129828	INS-GT-25M-CR	129580	INS-GT-05-CR	129981	AN-GT-05-25M-CR
206	1-1/8	@	INS-GT-102-CR	129581	INS-GT-06-CR	129969	AN-GT-06-102-CR
	1-3/16	129829	INS-GT-103-CR	129581	INS-GT-06-CR	129970	AN-GT-06-103-CR
	1-1/4	129830	INS-GT-104S-CR	129581	INS-GT-06-CR	129971	AN-GT-06-104S-CR
	30mm	129831	INS-GT-30M-CR	129581	INS-GT-06-CR	129982	AN-GT-06-30M-CR
207	1-1/4	129832	INS-GT-104-CR	129582	INS-GT-07-CR	129972	AN-GT-07-104-CR
	1-3/8	@	INS-GT-106-CR	129582	INS-GT-07-CR	129973	AN-GT-07-106-CR
	1-7/16	129833	INS-GT-107-CR	129582	INS-GT-07-CR	129974	AN-GT-07-107-CR
208	35mm	129834	INS-GT-35M-CR	129582	INS-GT-07-CR	129983	AN-GT-07-35M-CR
	1-1/2	129835	INS-GT-108-CR	129583	INS-GT-08-CR	129975	AN-GT-08-108-CR
209	40mm	129836	INS-GT-40M-CR	129583	INS-GT-08-CR	129984	AN-GT-08-40M-CR
	1-11/16	129837	INS-GT-111-CR	129584	INS-GT-09-CR	129976	AN-GT-09-111-CR
	1-3/4	@	INS-GT-112-CR	129584	INS-GT-09-CR	129977	AN-GT-09-112-CR
210	45mm	129838	INS-GT-45M-CR	129584	INS-GT-09-CR	129985	AN-GT-09-45M-CR
	1-15/16	129839	INS-GT-115-CR	129584	INS-GT-09-CR	129978	AN-GT-10-115-CR
	2	@	INS-GT-200-CR	129585	INS-GT-10-CR	129979	AN-GT-10-200-CR
	50mm	129840	INS-GT-50M-CR	129585	INS-GT-10-CR	129986	AN-GT-10-50M-CR

@ Assembled to order.

E-Z Kleen mounted ball bearings

Selection/Dimensions

E-Z Kleen mounted ball bearings
 GT normal duty bearing inserts for
 E-Z Kleen bearings

Series	Shaft size	Weight lb kg	A	C	D	J	L	N screw (UNF)	W#	X	Y#
204	3/4	0.6	1.48	0.58	1.8504	0.15	1.50	#10-32 x 1/4	0.46	1.03	1.02
	20mm	0.3	37.6	14.7	47.000	3.8	38.1	#10-32 x 1/4	11.7	26.2	25.9
205	1	0.8	1.46	0.59	2.0472	0.16	1.80	#10-32 x 1/4	0.48	1.00	0.98
	25mm	0.4	37.1	15.0	52.000	4.1	45.7	#10-32 x 1/4	12.2	25.4	24.9
206	1-1/8	1.2	1.61	0.69	2.4409	0.16	2.08	#10-32 x 1/4	0.52	1.13	1.09
	1-3/16	1.2	1.61	0.69	2.4409	0.16	2.08	#10-32 x 1/4	0.52	1.13	1.09
	1-1/4	1.2	1.61	0.69	2.4409	0.16	2.08	#10-32 x 1/4	0.52	1.13	1.09
	30mm	0.6	40.9	17.5	62.000	4.1	52.8	#10-32 x 1/4	13.2	28.7	27.7
207	1-1/4	1.8	1.62	0.75	2.8346	0.20	2.38	#10-32 x 1/4	0.54	1.14	1.08
	1-3/8	1.8	1.62	0.75	2.8346	0.20	2.38	#10-32 x 1/4	0.54	1.14	1.08
	1-7/16	1.8	1.62	0.75	2.8346	0.20	2.38	#10-32 x 1/4	0.54	1.14	1.08
	35mm	0.8	41.1	19.1	72.000	5.1	60.5	#10-32 x 1/4	13.7	29.0	27.4
208	1-1/2	2.2	1.84	0.87	3.1496	0.22	2.62	#10-32 x 1/4	0.61	1.23	1.23
	40mm	1.0	46.7	22.1	80.000	5.6	66.5	#10-32 x 1/4	15.5	31.2	31.2
209	1-11/16	2.5	1.85	0.87	3.3465	0.25	2.86	#10-32 x 1/4	0.62	1.26	1.23
	1-3/4	2.5	1.85	0.87	3.3465	0.25	2.86	#10-32 x 1/4	0.62	1.26	1.23
	45mm		47.0	22.1	85.000	6.4	72.6	#10-32 x 1/4	15.7	32.0	31.2
210	1-15/16	3.0	1.86	0.87	3.5433	0.25	3.13	#10-32 x 1/4	0.63	1.26	1.23
	2	3.0	1.86	0.87	3.5433	0.25	3.13	#10-32 x 1/4	0.63	1.26	1.23
	50mm	1.4	47.2	22.1	90.000	6.4	79.5	#10-32 x 1/4	16.0	32.0	31.2

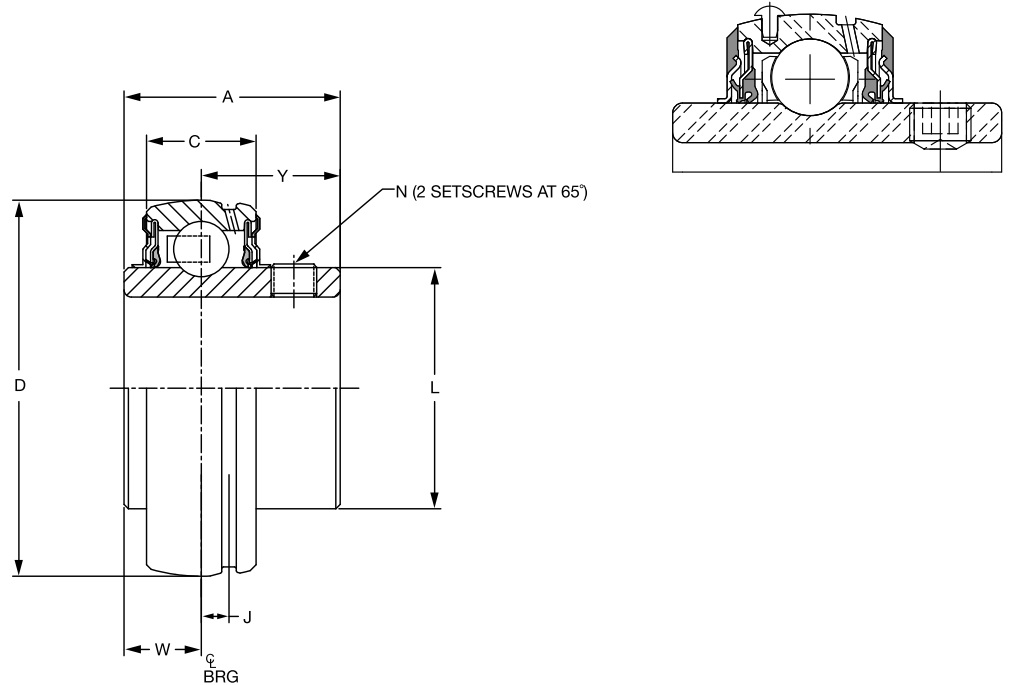
#W & Y dimensions will vary slightly depending on true shaft diameter.

E-Z Kleen mounted ball bearings

Selection/Dimensions

E-Z Kleen mounted bearings

SC Normal duty bearing corrosion resistant inserts for E-Z Kleen bearings



Series	Shaft size	Insert with flingers		Corrosion resistant insert		Weight lb kg	A	C	D	J	L	N	W	Y
		Part no.	Description	Part no.	Description									
204	1/2	@	INS-SC-008L-FF	052981	INS-SC-008L-CR*	.38	1.23	0.58	1.8504	0.15	1.12	10-32	0.50	0.73
	5/8	124932	INS-SC-010L-FF	127073	INS-SC-010L-CR*	.35	1.23	0.58	1.8504	0.15	1.12	10-32	0.50	0.73
	3/4	123070	INS-SC-012-FF	045600	INS-SC-012-CR	.32	1.23	0.58	1.8504	0.15	1.12	10-32	0.50	0.73
	20mm	050524	INS-SC-20M-FF	125873	INS-SC-20M-CR	.16	31.2	14.7	47.000	3.8	28.4	M6x1	12.7	18.5
205	7/8	124931	INS-SC-014-FF	058665	INS-SC-014-CR*	.43	1.34	0.59	2.0472	0.16	1.32	1/4-28	0.56	0.78
	15/16	123069	INS-SC-015-FF	@	INS-SC-015-CR*	.40	1.34	0.59	2.0472	0.16	1.32	1/4-28	0.56	0.78
	1	123071	INS-SC-100-FF	045601	INS-SC-100-CR	.37	1.34	0.59	2.0472	0.16	1.32	1/4-28	0.56	0.78
	25mm	052620	INS-SC-25M-FF	050580	INS-SC-25M-CR	.18	34.0	15.0	52.000	4.1	33.5	M6x1	14.2	19.8
206	1-1/8	123234	INS-SC-102-FF	058989	INS-SC-102-CR*	.63	1.52	0.69	2.4409	0.16	1.57	5/16-24	0.58	0.94
	1-3/16	123072	INS-SC-103-FF	045602	INS-SC-103-CR	.60	1.52	0.69	2.4409	0.16	1.57	5/16-24	0.58	0.94
	1-1/4	123073	INS-SC-104S-FF	045603	INS-SC-104S-CR	.58	1.52	0.69	2.4409	0.16	1.57	5/16-24	0.58	0.94
	30mm	052621	INS-SC-30M-FF	125874	INS-SC-30M-CR	.27	38.6	17.5	62.000	4.1	39.9	M8x1.25	14.7	23.9
207	1-1/4	123074	INS-SC-104-FF	045412	INS-SC-104-CR	1.02	1.71	0.75	2.8346	0.20	1.84	5/16-24	0.67	1.04
	1-5/16	057102	INS-SC-105-FF	058345	INS-SC-105-CR*	.97	1.71	0.75	2.8346	0.20	1.84	5/16-24	0.67	1.04
	1-3/8	123460	INS-SC-106-FF	058965	INS-SC-106-CR*	.92	1.71	0.75	2.8346	0.20	1.84	5/16-24	0.67	1.04
	1-7/16	123075	INS-SC-107-FF	045604	INS-SC-107-CR	.86	1.71	0.75	2.8346	0.20	1.84	5/16-24	0.67	1.04
208	35mm	052622	INS-SC-35M-FF	050653	INS-SC-35M-CR	.44	43.4	19.1	72.000	5.1	46.7	M8x1.25	17.0	26.4
	1-1/2	123076	INS-SC-108-FF	045605	INS-SC-108-CR	1.27	1.94	0.87	3.1496	0.22	2.05	5/16-24	0.75	1.19
	1-5/8	123409	INS-SC-110-FF	@	INS-SC-110-CR*	1.13	1.94	0.87	3.1496	0.22	2.05	5/16-24	0.75	1.19
209	40mm	052623	INS-SC-40M-FF	050654	INS-SC-40M-CR	.51	49.3	22.1	80.000	5.6	52.1	M8x1.25	19.1	30.2
	1-5/8	@	INS-SC-110L-FF	@	INS-SC-110L-CR*	1.49	1.94	0.87	3.3465	0.25	2.22	5/16-24	0.75	1.19
	1-11/16	@	INS-SC-111-FF	125004	INS-SC-111-CR	1.43	1.94	0.87	3.3465	0.25	2.22	5/16-24	0.75	1.19
	1-3/4	045677	INS-SC-112-FF	054145	INS-SC-112-CR*	1.36	1.94	0.87	3.3465	0.25	2.22	5/16-24	0.75	1.19
210	45mm	@	INS-SC-45M-FF	125005	INS-SC-45M-CR	.62	49.3	22.1	85.000	6.4	56.4	M8x1.25	19.1	30.2
	1-11/16	@	INS-SCM-111-FF	@	INS-SCM-111-CR*	1.82	1.94	0.87	3.5433	0.25	2.43	3/8-24	0.75	1.19
	1-15/16	123077	INS-SC-115-FF	045606	INS-SC-115-CR	1.48	1.94	0.87	3.5433	0.25	2.43	3/8-24	0.75	1.19
	2	123413	INS-SC-200-FF	045338	INS-SC-200-CR*	1.39	1.94	0.87	3.5433	0.25	2.43	3/8-24	0.75	1.19
210	50mm	@	INS-SC-50M-FF	050656	INS-SC-50M-CR	.67	49.3	22.1	90.000	6.4	61.7	M10x1.5	19.1	30.2

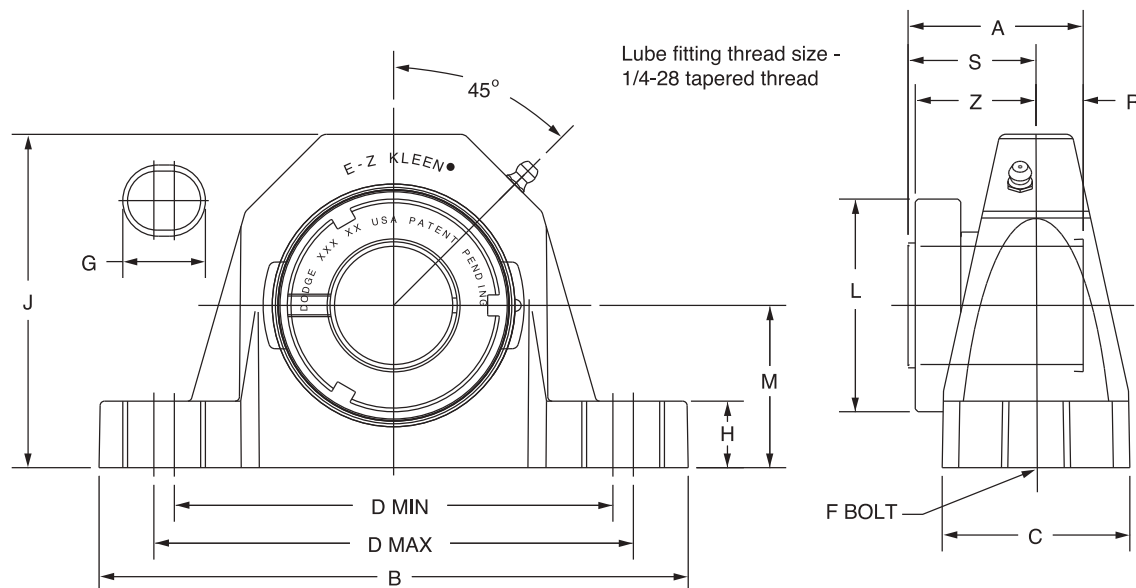
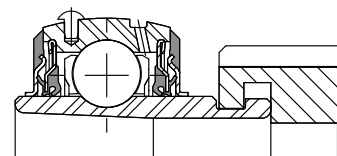
@ Assembled to order

* 20 piece minimum

E-Z Kleen mounted ball bearings

Selection/Dimensions

E-Z Kleen mounted ball bearings
GTEZ normal duty polymer
housed pillow blocks



Series	Shaft size	Complete unit		Unit without adapter		Adapter & nut assembly	
		Part no.	Description	Part no.	Description	Part no.	Description
204	3/4	129244	P2B-GTEZ-012-PCR	129530	P2B-GTEZ-04-PCR	129967	AN-GT-04-012-CR
	20mm	129245	P2B-GTEZ-20M-PCR	129530	P2B-GTEZ-04-PCR	129980	AN-GT-04-20M-CR
205	1	129246	P2B-GTEZ-100-PCR	129531	P2B-GTEZ-05-PCR	129968	AN-GT-05-100-CR
	25mm	129247	P2B-GTEZ-25M-PCR	129531	P2B-GTEZ-05-PCR	129981	AN-GT-05-25M-CR
206 (GTU)	1-1/8	@	P2B-GTUEZ-102-PCR	129536	P2B-GTUEZ-06-PCR	129969	AN-GT-06-102-CR
	1-3/16	129248	P2B-GTUEZ-103-PCR	129536	P2B-GTUEZ-06-PCR	129602	AN-GT-06-103-CR
	1-1/4	129249	P2B-GTUEZ-104S-PCR	129536	P2B-GTUEZ-06-PCR	129603	AN-GT-06-104S-CR
	30mm	129250	P2B-GTUEZ-30M-PCR	129536	P2B-GTUEZ-06-PCR	129611	AN-GT-06-30M-CR
207	1-1/4	129251	P2B-GTEZ-104-PCR	129532	P2B-GTEZ-07-PCR	129972	AN-GT-07-104-CR
	1-3/8	129392	P2B-GTEZ-106-PCR	129532	P2B-GTEZ-07-PCR	129973	AN-GT-07-106-CR
	1-7/16	129252	P2B-GTEZ-107-PCR	129532	P2B-GTEZ-07-PCR	129974	AN-GT-07-107-CR
	35mm	129253	P2B-GTEZ-35M-PCR	129532	P2B-GTEZ-07-PCR	129983	AN-GT-07-35M-CR
208 (GTB)	1-1/2	129254	P2B-GTBEZ-108-PCR	129535	P2B-GTBEZ-08-PCR	129606	AN-GT-08-108-CR
	40mm	129255	P2B-GTBEZ-40M-PCR	129535	P2B-GTBEZ-08-PCR	129613	AN-GT-08-40M-CR
209	1-11/16	129256	P2B-GTEZ-111-PCR	129533	P2B-GTEZ-09-PCR	129976	AN-GT-09-111-CR
	1-3/4	129396	P2B-GTEZ-112-PCR	129535	P2B-GTEZ-09-PCR	129977	AN-GT-09-112-CR
	45mm	129257	P2B-GTEZ-45M-PCR	129535	P2B-GTEZ-09-PCR	129985	AN-GT-09-45M-CR
210	1-15/16	129258	P2B-GTEZ-115-PCR	129534	P2B-GTEZ-10-PCR	129978	AN-GT-10-115-CR
	2	129393	P2B-GTEZ-200-PCR	129534	P2B-GTEZ-10-PCR	129979	AN-GT-10-200-CR
	50mm	129259	P2B-GTEZ-50M-PCR	129534	P2B-GTEZ-10-PCR	129986	AN-GT-10-50M-CR

E-Z Kleen mounted ball bearings

Selection/Dimensions

E-Z Kleen mounted ball bearings
GTEZ normal duty polymer
housed pillow blocks

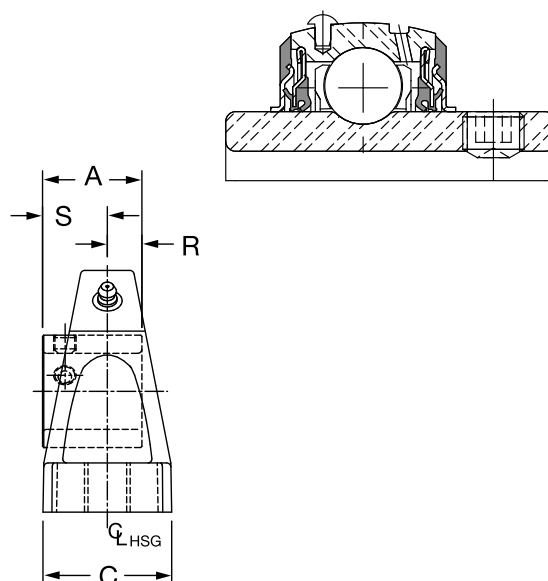
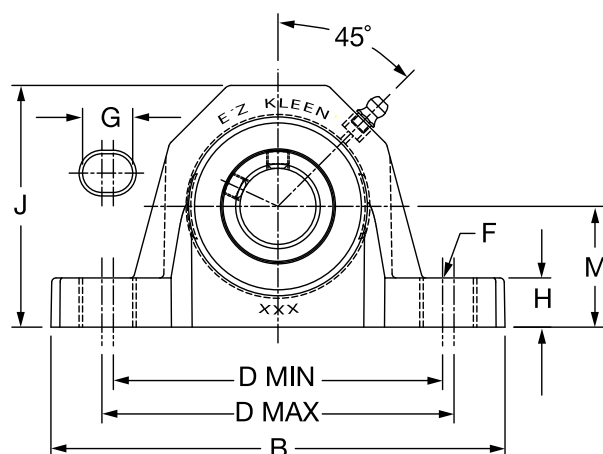
Series	Shaft size	Weight lb kg	A	B	C	D		F bolt dia.	G	H	J	L	M	R#	S#	Z
						min.	max.									
204	3/4	0.9	1.48	5.02	1.48	3.66	3.92	3/8	0.59	0.61	2.63	1.50	1.31	0.46	1.02	1.03
	20mm	0.4	37.6	127.5	37.6	93.0	99.6	M10	15.0	15.5	66.8	38.1	33.4	11.7	25.9	26.2
205	1	1.1	1.46	5.48	1.48	3.96	4.20	3/8	0.59	0.61	2.86	1.80	1.44	0.48	0.98	1.00
	25mm	0.5	37.1	139.2	37.6	100.6	106.7	M10	15.0	15.5	72.6	45.7	36.5	12.2	24.9	25.4
206 (GTU)	1-1/8	1.8	1.61	6.30	1.77	4.60	4.88	1/2	0.73	0.70	3.34	2.08	1.69	0.52	1.09	1.13
	1-3/16	1.7	1.61	6.30	1.77	4.60	4.88	1/2	0.73	0.70	3.34	2.08	1.69	0.52	1.09	1.13
	1-1/4	1.6	1.61	6.30	1.77	4.60	4.88	1/2	0.73	0.70	3.34	2.08	1.69	0.52	1.09	1.13
	30mm	0.8	40.9	160.0	45.0	116.8	124.0	M12	18.5	17.8	84.8	52.8	42.9	13.2	27.7	28.7
207	1-1/4	2.5	1.62	6.54	1.86	4.80	5.12	1/2	0.73	0.72	3.89	2.38	1.88	0.54	1.08	1.14
	1-3/8	2.4	1.62	6.54	1.86	4.80	5.12	1/2	0.73	0.72	3.89	2.38	1.88	0.54	1.08	1.14
	1-7/16	2.4	1.62	6.54	1.86	4.80	5.12	1/2	0.73	0.72	3.89	2.38	1.88	0.54	1.08	1.14
	35mm	1.1	41.1	166.1	47.2	121.9	130.0	M12	18.5	18.3	98.8	60.5	47.6	13.7	27.4	29.0
208 (GTB)	1-1/2	3.0	1.84	7.19	2.10	5.10	5.64	1/2	0.88	0.76	4.16	2.62	1.94	0.61	1.23	1.23
	40mm	1.4	46.7	182.6	53.3	129.5	143.3	M12	22.4	19.3	105.7	66.5	49.2	15.5	31.2	31.2
209	1-11/16	3.4	1.85	7.20	2.10	5.42	5.96	1/2	0.88	0.84	4.31	2.86	2.13	0.62	1.23	1.26
	1-3/4	3.3	1.85	7.20	2.10	5.42	5.96	1/2	0.88	0.84	4.31	2.86	2.13	0.62	1.23	1.26
	45mm	1.6	47.0	182.9	53.3	137.7	151.4	M12	22.4	21.3	109.5	72.6	54.0	15.7	31.2	32.0
210	1-15/16	4.2	1.86	8.06	2.36	6.00	6.56	5/8	1.00	0.91	4.56	3.13	2.25	0.63	1.23	1.26
	2	4.1	1.86	8.06	2.36	6.00	6.56	5/8	1.00	0.91	4.56	3.13	2.25	0.63	1.23	1.26
	50mm	1.7	47.2	204.7	59.9	152.4	166.6	M16	25.4	23.1	115.8	79.5	57.2	16.0	31.2	32.0

#R & S dimensions will vary slightly depending on true shaft diameter

E-Z Kleen mounted ball bearings

Selection/Dimensions

E-Z Kleen mounted ball bearings
SCEZ normal duty polymer
housed pillow blocks



Series	Shaft size	With corrosion resistant insert		Standard insert with flingers	
		Part no.	Description	Part no.	Description
204	1/2	@	P2B-SCEZ-008L-PCR*	@	P2B-SCEZ-008L-P
	5/8	068322	P2B-SCEZ-010L-PCR*	064572	P2B-SCEZ-010L-P
	3/4	127500	P2B-SCEZ-012-PCR	@	P2B-SCEZ-012-P
	20mm	127545	P2B-SCEZ-20M-PCR	@	P2B-SCEZ-20M-P
205	7/8	064839	P2B-SCEZ-014-PCR*	062837	P2B-SCEZ-014-P
	15/16	058975	P2B-SCEZ-015-PCR*	@	P2B-SCEZ-015-P
	1	127501	P2B-SCEZ-100-PCR	058597	P2B-SCEZ-100-P
	25mm	127546	P2B-SCEZ-25M-PCR	@	P2B-SCEZ-25M-P
206	1-1/8	075096	P2B-SCUEZ-102-PCR*	067919	P2B-SCUEZ-102-P
	1-3/16	127502	P2B-SCUEZ-103-PCR	@	P2B-SCUEZ-103-P
	1-1/4	127503	P2B-SCUEZ-104S-PCR	058596	P2B-SCUEZ-104S-P
	30mm	127547	P2B-SCUEZ-30M-PCR	@	P2B-SCUEZ-30M-P
207	1-1/4	127504	P2B-SCEZ-104-PCR	065655	P2B-SCEZ-104-P
	1-5/16	059722	P2B-SCEZ-105-PCR*	@	P2B-SCEZ-105-P
	1-3/8	058944	P2B-SCEZ-106-PCR*	@	P2B-SCEZ-106-P
	1-7/16	127505	P2B-SCEZ-107-PCR	064064	P2B-SCEZ-107-P
	35mm	127548	P2B-SCEZ-35M-PCR	@	P2B-SCEZ-35M-P
208	1-1/2	127506	P2B-SCBEZ-108-PCR	@	P2B-SCBEZ-108-P
	1-5/8	068495	P2B-SCBEZ-110-PCR*	@	P2B-SCBEZ-110-P
	40mm	127549	P2B-SCBEZ-40M-PCR	@	P2B-SCBEZ-40M-P
209	1-5/8	@	P2B-SCBEZ-110L-PCR*	@	P2B-SCBEZ-110L-P
	1-11/16	127507	P2B-SCEZ-111-PCR	067996	P2B-SCEZ-111-P
	1-3/4	058931	P2B-SCEZ-112-PCR	@	P2B-SCEZ-112-P
	45mm	127500	P2B-SCEZ-45M-PCR	@	P2B-SCEZ-45M-P
210	1-15/16	127508	P2B-SCEZ-115-PCR	056497	P2B-SCEZ-115-P
	2	057898	P2B-SCEZ-200-PCR	@	P2B-SCEZ-200-P
	50mm	127551	P2B-SCEZ-50M-PCR	@	P2B-SCEZ-50M-P

@ Assembled to order

* 20 piece minimum

E-Z Kleen mounted ball bearings

Selection/Dimensions

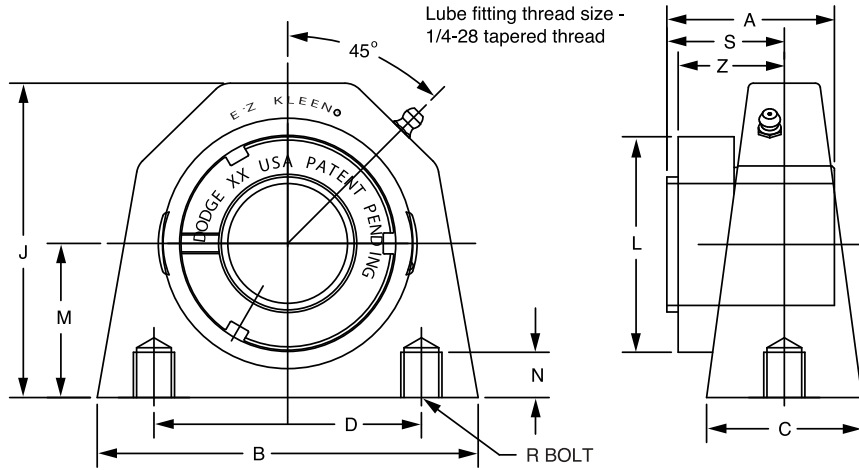
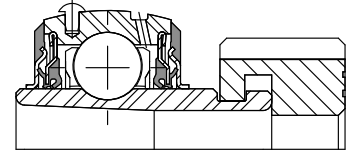
E-Z Kleen mounted ball bearings
SCEZ normal duty polymer
housed pillow blocks

Size	Shaft series	Weight lb kg	A	B	C	D		F bolt dia.	G	H	J	L	M	R	S
						min.	max.								
204	1/2	0.68	1.23	5.02	1.48	3.66	3.92	3/8	0.59	0.61	2.63	1.12	1.31	0.50	0.73
	5/8	0.66	1.23	5.02	1.48	3.66	3.92	3/8	0.59	0.61	2.63	1.12	1.31	0.50	0.73
	3/4	0.64	1.23	5.02	1.48	3.66	3.92	3/8	0.59	0.61	2.63	1.12	1.31	0.50	0.73
	20mm	0.30	31.2	127.5	37.6	93.0	99.6	M10	15.0	15.5	66.8	28.4	33.4	12.7	18.5
205	7/8	0.73	1.34	5.48	1.48	3.96	4.20	3/8	0.59	0.61	2.86	1.32	1.44	0.56	0.78
	15/16	0.71	1.34	5.48	1.48	3.96	4.20	3/8	0.59	0.61	2.86	1.32	1.44	0.56	0.78
	1	0.69	1.34	5.48	1.48	3.96	4.20	3/8	0.59	0.61	2.86	1.32	1.44	0.56	0.78
	25mm	0.32	34.0	139.2	37.6	100.6	106.7	M10	15.0	15.5	72.6	33.5	36.5	14.2	19.8
206	1-1/8	1.15	1.52	6.30	1.77	4.60	4.88	1/2	0.73	0.70	3.34	1.57	1.69	0.58	0.94
	1-3/16	1.13	1.52	6.30	1.77	4.60	4.88	1/2	0.73	0.70	3.34	1.57	1.69	0.58	0.94
	1-1/4	1.11	1.52	6.30	1.77	4.60	4.88	1/2	0.73	0.70	3.34	1.57	1.69	0.58	0.94
	30mm	0.51	38.6	160.0	45.0	116.8	124.0	M12	18.5	17.8	84.8	39.9	42.9	14.7	23.9
207	1-1/4	1.68	1.71	6.54	1.86	4.80	5.12	1/2	0.73	0.72	3.89	1.84	1.88	0.67	1.04
	1-5/16	1.63	1.71	6.54	1.86	4.80	5.12	1/2	0.73	0.72	3.89	1.84	1.88	0.67	1.04
	1-3/8	1.58	1.71	6.54	1.86	4.80	5.12	1/2	0.73	0.72	3.89	1.84	1.88	0.67	1.04
	1-7/16	1.52	1.71	6.54	1.86	4.80	5.12	1/2	0.73	0.72	3.89	1.84	1.88	0.67	1.04
	35mm	0.74	43.4	166.1	47.2	121.9	130.0	M12	18.5	18.3	98.8	46.7	47.6	17.0	26.4
208	1-1/2	2.08	1.94	7.19	2.10	5.10	5.64	1/2	0.88	0.76	4.16	2.05	1.94	0.75	1.19
	1-5/8	2.00	1.94	7.19	2.10	5.10	5.64	1/2	0.88	0.76	4.16	2.05	1.94	0.75	1.19
	40mm	0.88	49.3	182.6	53.3	129.5	143.3	M12	22.4	19.3	105.7	52.1	49.2	19.1	30.2
209	1-5/8	2.41	1.94	7.20	2.10	5.42	5.96	1/2	0.88	0.84	4.31	2.22	2.13	0.75	1.19
	1-11/16	2.34	1.94	7.20	2.10	5.42	5.96	1/2	0.88	0.84	4.31	2.22	2.13	0.75	1.19
	1-3/4	2.27	1.94	7.20	2.10	5.42	5.96	1/2	0.88	0.84	4.31	2.22	2.13	0.75	1.19
	45mm	1.03	49.3	182.9	53.3	137.7	151.4	M12	22.4	21.3	109.5	56.4	54.0	19.1	30.2
210	1-15/16	2.65	1.94	8.06	2.36	6.00	6.56	5/8	1.00	0.91	4.56	2.43	2.25	0.75	1.19
	2	2.58	1.94	8.06	2.36	6.00	6.56	5/8	1.00	0.91	4.56	2.43	2.25	0.75	1.19
	50mm	1.30	49.3	204.7	59.9	152.4	166.6	M16	25.4	23.1	115.8	61.7	57.2	19.1	30.2

E-Z Kleen mounted ball bearings

Selection/Dimensions

E-Z Kleen mounted ball bearings
 GTEZ normal duty polymer
 housed tapped base pillow blocks



Series	Shaft size	Complete unit		Unit without adapter		Adapter & nut assembly	
		Part no.	Description	Part no.	Description	Part No.	Description
204	3/4	129291	TB-GTEZ-012-PCR	129537	TB-GTEZ-04-PCR	129967	AN-GT-04-012-CR
	20mm	129292	TB-GTEZ-20M-PCR	129988	TB-GTEZ-04M-PCR	129980	AN-GT-04-20M-CR
205	1	129293	TB-GTEZ-100-PCR	129538	TB-GTEZ-05-PCR	129968	AN-GT-05-100-CR
	25mm	129294	TB-GTEZ-25M-PCR	129989	TB-GTEZ-05M-PCR	129981	AN-GT-05-25M-CR
206	1 -1/8	@	TB-GTEZ-102-PCR			129969	AN-GT-06-102-CR
	1 -3/16	129295	TB-GTEZ-103-PCR	129539	TB-GTEZ-06-PCR	129970	AN-GT-06-103-CR
	1-1/4	129296	TB-GTEZ-104S-PCR			129971	AN-GT-06-104S-CR
	30mm	129297	TB-GTEZ-30M-PCR	129990	TB-GTEZ-06M-PCR	129982	AN-GT-06-30M-CR
207	1-1/4	129298	TB-GTEZ-104-PCR			129972	AN-GT-07-104-CR
	1 -3/8	@	TB-GTEZ-106-PCR	129540	TB-GTEZ-07-PCR	129973	AN-GT-07-106-CR
	1 -7/16	129299	TB-GTEZ-107-PCR			129974	AN-GT-07-107-CR
	35mm	129300	TB-GTEZ-35M-PCR	129991	TB-GTEZ-07M-PCR	129983	AN-GT-07-35M-CR

@ Assembled to order

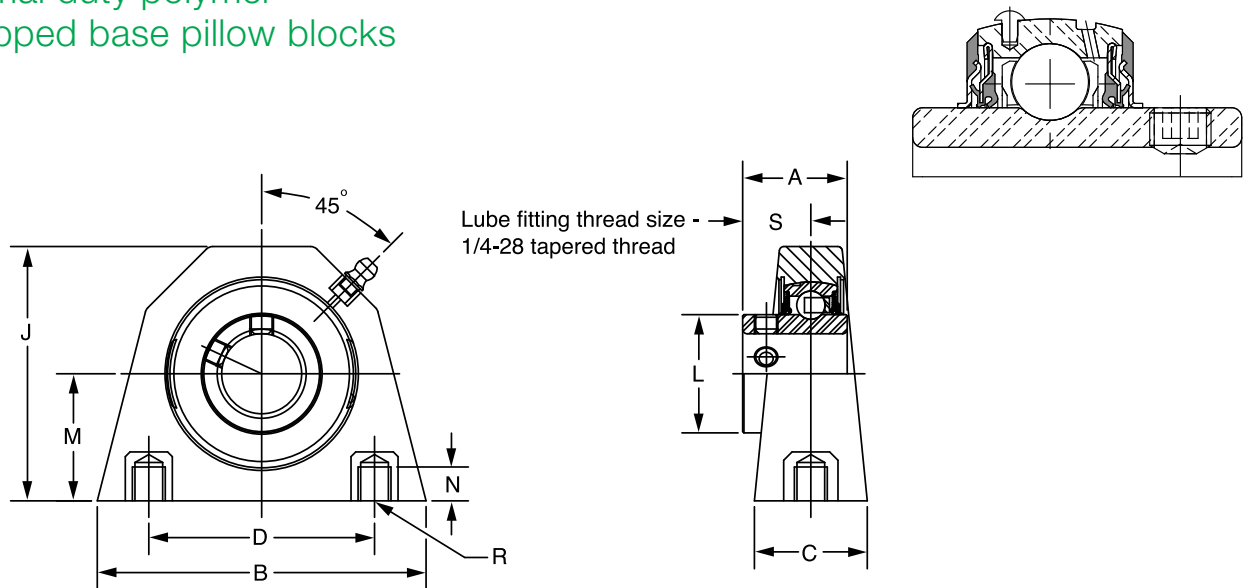
Series	Shaft size	Weight Lb kg	A	B	C	D	J	L	M	N thread depth	R bolt hole threads	S#	Z
204	3/4	0.88	1.48	3.25	1.48	2.00	2.65	1.50	1.31	0.40	3/8-16	1.02	1.03
	20mm	0.41	37.6	82.6	37.6	50.8	67.3	38.1	33.4	10.2	M10x1.5	25.9	26.2
205	1	1.01	1.46	3.25	1.49	2.00	2.89	1.80	1.44	0.40	3/8-16	0.98	1.00
	25mm	0.47	37.1	82.6	37.8	50.8	73.4	45.7	36.5	10.2	M10x1.5	24.9	25.4
206	1-1/8	1.79	1.61	4.38	1.57	3.00	3.38	2.08	1.69	0.45	7/16-14	1.09	1.13
	1-3/16	1.69	1.61	4.38	1.57	3.00	3.38	2.08	1.69	0.45	7/16-14	1.09	1.13
	1-1/4	1.59	1.61	4.38	1.57	3.00	3.38	2.08	1.69	0.45	7/16-14	1.09	1.13
	30mm	0.77	40.9	111.3	39.9	76.2	85.9	52.8	42.9	11.4	M10x1.5	27.7	28.7
207	1-1/4	2.62	1.62	4.63	1.89	3.25	3.82	2.38	1.88	0.55	1/2-13	1.08	1.14
	1-3/8	2.42	1.62	4.63	1.89	3.25	3.82	2.38	1.88	0.55	1/2-13	1.08	1.14
	1-7/16	2.32	1.62	4.63	1.89	3.25	3.82	2.38	1.88	0.55	1/2-13	1.08	1.14
	35mm	1.11	41.1	117.6	48.0	82.6	97.0	60.5	47.6	14.0	M12x1.75	27.4	29.0

#S dimension will vary slightly depending on true shaft diameter

E-Z Kleen mounted ball bearings

Selection/Dimensions

E-Z Kleen mounted ball bearings
SCEZ normal duty polymer
housed tapped base pillow blocks



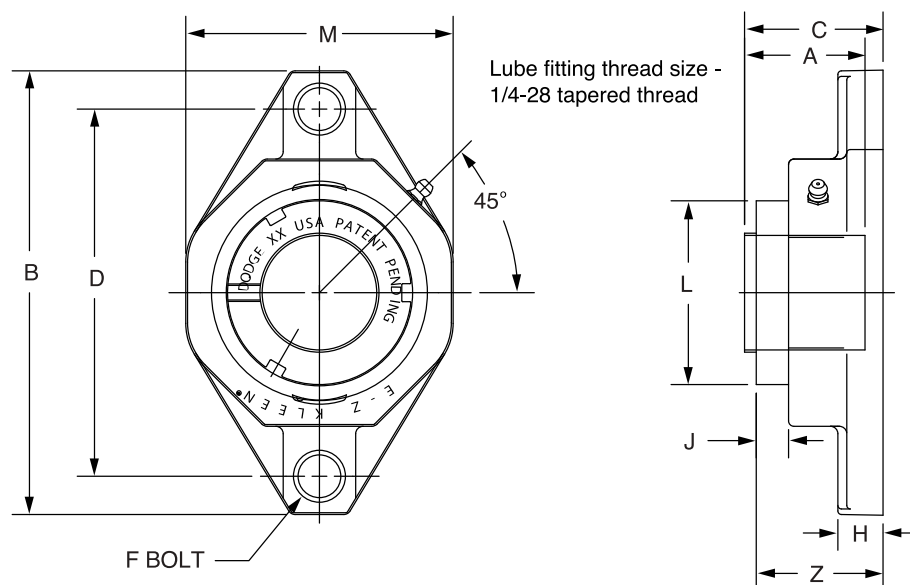
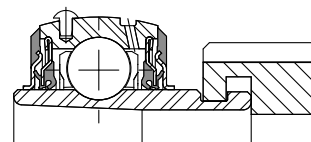
Series	Shaft size	With corrosion resistant insert		Standard insert with flingers		Weight lb kg	A	B	C	D	J	L	M	N thread depth	R bolt hole threads	S
		Part no.	Description	Part no.	Description											
204	1/2	@	TB-SCEZ-008L-PCR*	@	TB-SCEZ-008L-P	0.74	1.23	3.25	1.48	2.00	2.65	1.12	1.31	0.40	3/8-16	0.73
	5/8	064720	TB-SCEZ-010L-PCR*	@	TB-SCEZ-010L-P	0.66	1.23	3.25	1.48	2.00	2.65	1.12	1.31	0.40	3/8-16	0.73
	3/4	127509	TB-SCEZ-012-PCR	@	TB-SCEZ-012-P	0.60	1.23	3.25	1.48	2.00	2.65	1.12	1.31	0.40	3/8-16	0.73
	20mm	127552	TB-SCEZ-20M-PCR	@	TB-SCEZ-20M-P	0.29	31.2	82.6	37.6	50.8	67.3	28.4	33.4	10.2	M10x1.5	18.5
205	7/8	@	TB-SCEZ-014-PCR*	@	TB-SCEZ-014-P	0.72	1.34	3.25	1.49	2.00	2.89	1.32	1.44	0.40	3/8-16	0.78
	15/16	@	TB-SCEZ-015-PCR*	@	TB-SCEZ-015-P	0.64	1.34	3.25	1.49	2.00	2.89	1.32	1.44	0.40	3/8-16	0.78
	1	127510	TB-SCEZ-100-PCR	@	TB-SCEZ-100-P	0.58	1.34	3.25	1.49	2.00	2.89	1.32	1.44	0.40	3/8-16	0.78
	25mm	127553	TB-SCEZ-25M-PCR	@	TB-SCEZ-25M-P	0.28	34.0	82.6	37.8	50.8	73.4	33.5	36.5	10.2	M10x1.5	19.8
206	1-1/8	@	TB-SCEZ-102-PCR*	@	TB-SCEZ-102-P	1.16	1.52	4.38	1.57	3.00	3.38	1.57	1.69	0.45	7/16-14	0.94
	1-3/16	127511	TB-SCEZ-103-PCR	@	TB-SCEZ-103-P	1.09	1.52	4.38	1.57	3.00	3.38	1.57	1.69	0.45	7/16-14	0.94
	1-1/4	127512	TB-SCEZ-104S-PCR	058632	TB-SCEZ-104S-P	1.07	1.52	4.38	1.57	3.00	3.38	1.57	1.69	0.45	7/16-14	0.94
	30mm	127554	TB-SCEZ-30M-PCR	@	TB-SCEZ-30M-P	0.49	38.6	111.3	39.9	76.2	85.9	39.9	42.9	11.4	M10x1.5	23.9
207	1-1/4	127513	TB-SCEZ-104-PCR	@	TB-SCEZ-104-P	1.64	1.71	4.63	1.89	3.25	3.82	1.84	1.88	0.55	1/2-13	1.04
	1-5/16	@	TB-SCEZ-105-PCR*	@	TB-SCEZ-105-P	1.58	1.71	4.63	1.89	3.25	3.82	1.84	1.88	0.55	1/2-13	1.04
	1-3/8	056577	TB-SCEZ-106-PCR*	@	TB-SCEZ-106-P	1.53	1.71	4.63	1.89	3.25	3.82	1.84	1.88	0.55	1/2-13	1.04
	1-7/16	127514	TB-SCEZ-107-PCR	@	TB-SCEZ-107-P	1.48	1.71	4.63	1.89	3.25	3.82	1.84	1.88	0.55	1/2-13	1.04
	35mm	127555	TB-SCEZ-35M-PCR	@	TB-SCEZ-35M-P	0.72	43.4	117.6	48.0	82.6	97.0	46.7	47.6	14.0	M12x1.75	26.4

@ Assembled to order *20 piece minimum

E-Z Kleen mounted ball bearings

Selection/Dimensions

E-Z Kleen mounted ball bearings
GTEZ normal duty polymer
housed 2-bolt flange bearings



Series	Shaft size	Complete unit		Unit without adapter		Adapter & nut assembly	
		Part no.	Description	Part no.	Description	Part no.	Description
204	3/4	129339	F2B-GTEZ-012-PCR	129548	F2B-GTEZ-04-PCR	129967	AN-GT-04-012-CR
	20mm	129340	F2B-GTEZ-20M-PCR	129548	F2B-GTEZ-04-PCR	129980	AN-GT-04-20M-CR
205	1	129341	F2B-GTEZ-100-PCR	129549	F2B-GTEZ-05-PCR	129968	AN-GT-05-100-CR
	25mm	129342	F2B-GTEZ-25M-PCR	129549	F2B-GTEZ-05-PCR	129981	AN-GT-05-25M-CR
206	1 -1/8	129394	F2B-GTEZ-102-PCR	129550	F2B-GTEZ-06-PCR	129969	AN-GT-06-102-CR
	1 -3/16	129343	F2B-GTEZ-103-PCR	129550	F2B-GTEZ-06-PCR	129970	AN-GT-06-103-CR
	1 -1/4	129344	F2B-GTEZ-104S-PCR	129550	F2B-GTEZ-06-PCR	129971	AN-GT-06-104S-CR
	30mm	129345	F2B-GTEZ-30M-PCR	129550	F2B-GTEZ-06-PCR	129982	AN-GT-06-30M-CR
207	1 -1/4	129346	F2B-GTEZ-104-PCR	129551	F2B-GTEZ-07-PCR	129972	AN-GT-07-104-CR
	1 -3/8	073406	F2B-GTEZ-106-PCR	129551	F2B-GTEZ-07-PCR	129973	AN-GT-07-106-CR
	1 -7/16	129347	F2B-GTEZ-107-PCR	129551	F2B-GTEZ-07-PCR	129974	AN-GT-07-107-CR
	35mm	129348	F2B-GTEZ-35M-PCR	129551	F2B-GTEZ-07-PCR	129983	AN-GT-07-35M-CR
208	1 -1/2	129349	F2B-GTEZ-108-PCR	129552	F2B-GTEZ-08-PCR	129975	AN-GT-08-108-CR
	40mm	129350	F2B-GTEZ-40M-PCR	129552	F2B-GTEZ-08-PCR	129984	AN-GT-08-40M-CR
209	1 -11/16	129351	F2B-GTEZ-111-PCR	129553	F2B-GTEZ-09-PCR	129976	AN-GT-09-111-CR
	1 -3/4	064147	F2B-GTEZ-112-PCR	129553	F2B-GTEZ-09-PCR	129977	AN-GT-09-112-CR
	45mm	129352	F2B-GTEZ-45M-PCR	129553	F2B-GTEZ-09-PCR	129985	AN-GT-09-45M-CR
210	1 -15/16	129353	F2B-GTEZ-115-PCR	129554	F2B-GTEZ-10-PCR	129978	AN-GT-10-115-CR
	2	064503	F2B-GTEZ-200-PCR	129554	F2B-GTEZ-10-PCR	129979	AN-GT-10-200-CR
	50mm	129354	F2B-GTEZ-50M-PCR	129554	F2B-GTEZ-10-PCR	129986	AN-GT-10-50M-CR

@ Assembled to order

E-Z Kleen mounted ball bearings

Selection/Dimensions

E-Z Kleen mounted ball bearings
 GTEZ normal duty polymer
 housed 2-bolt flange bearings

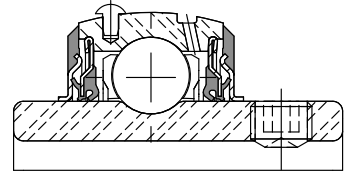
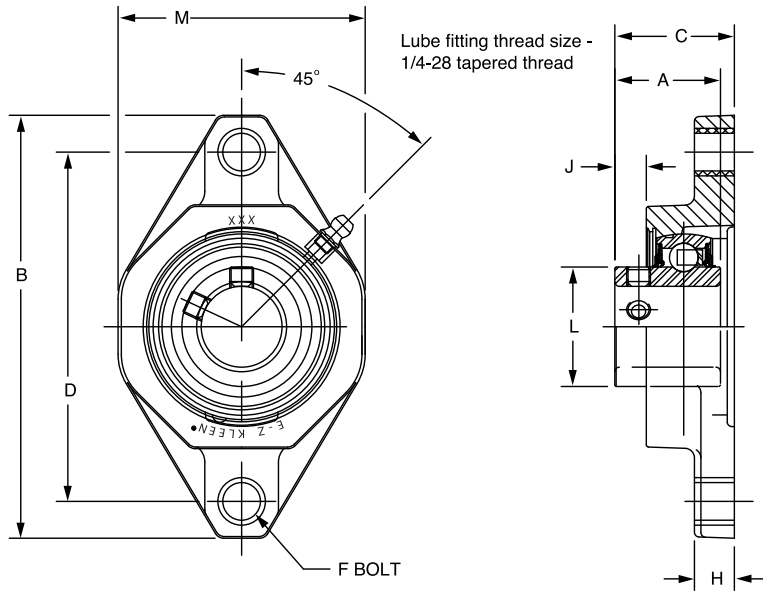
Series	Shaft size	Weight lb kg	A	B	C#	D	F bolt dia.	H	J	L	M	Z
204	3/4	0.77	1.48	4.45	1.72	3.54	3/8	0.53	0.61	1.50	2.35	1.73
	20mm	0.36	37.6	113.0	43.7	90.0	M10	13.5	15.5	38.1	59.7	43.9
205	1	1.01	1.46	4.92	1.70	3.90	3/8	0.54	0.58	1.80	2.71	1.72
	25mm	0.47	37.1	125.0	43.2	99.0	M10	13.7	14.7	45.7	68.8	43.7
206	1-1/8	1.56	1.61	5.58	1.84	4.59	3/8	0.60	0.64	2.08	3.19	1.88
	1-3/16	1.46	1.61	5.58	1.84	4.59	3/8	0.60	0.64	2.08	3.19	1.88
	1-1/4	1.36	1.61	5.58	1.84	4.59	3/8	0.60	0.64	2.08	3.19	1.88
	30mm	0.57	40.9	141.7	46.7	116.5	M10	15.2	16.3	52.8	81.0	47.8
207	1-1/4	2.18	1.62	6.31	1.86	5.12	1/2	0.62	0.64	2.38	3.69	1.92
	1-5/16	2.11	1.62	6.31	1.86	5.12	1/2	0.62	0.64	2.38	3.69	1.92
	1-7/16	2.08	1.62	6.31	1.86	5.12	1/2	0.62	0.64	2.38	3.69	1.92
	35mm	1.00	41.1	160.3	47.2	130.0	M12	15.7	16.3	60.5	93.7	48.8
208	1-1/2	2.75	1.84	6.77	2.12	5.65	1/2	0.67	0.67	2.62	4.06	2.12
	40mm	1.26	46.7	172.0	53.8	143.5	M12	17.0	17.0	66.5	103.1	53.8
209	1-5/8	3.11	1.85	7.07	2.12	5.85	9/16	0.72	0.69	2.86	4.31	2.15
	1-11/16	3.07	1.85	7.07	2.12	5.85	9/16	0.72	0.69	2.86	4.31	2.15
	1-3/4	3.04	1.85	7.07	2.12	5.85	9/16	0.72	0.69	2.86	4.31	2.15
	45mm	1.41	47.0	179.6	53.8	148.5	M14	18.3	17.5	72.6	109.5	54.6
210	1-15/16	3.64	1.86	7.47	2.26	6.18	5/8	0.76	0.70	3.13	4.50	2.29
	2	3.60	1.86	7.47	2.26	6.18	5/8	0.76	0.70	3.13	4.50	2.29
	50mm	1.67	47.2	189.7	57.4	157.0	M16	19.3	17.8	79.5	114.3	58.2

#C dimension will vary slightly depending on true shaft diameter.

E-Z Kleen mounted ball bearings

Selection/Dimensions

E-Z Kleen mounted ball bearings
SCEZ normal duty polymer
housed 2-bolt flange bearings



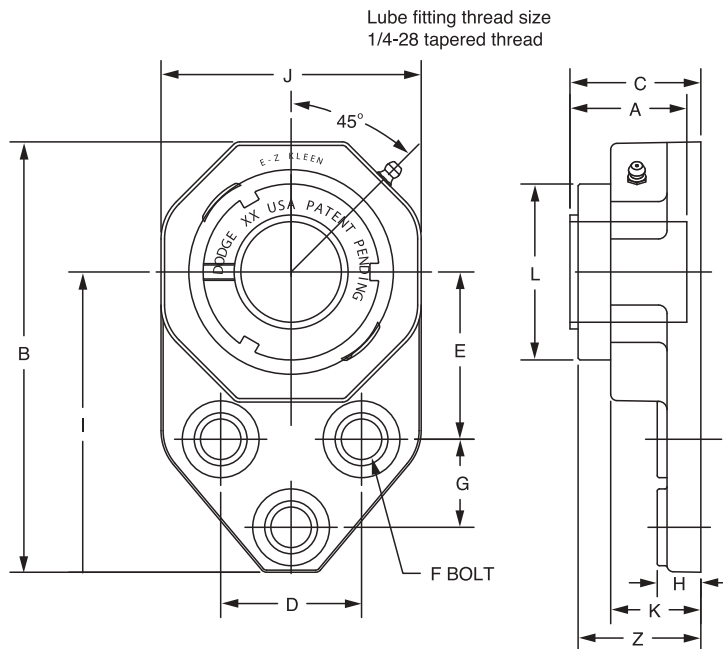
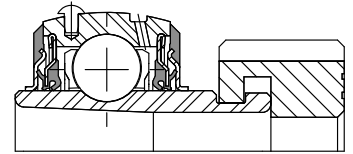
Series	Shaft size	With corrosion resistant insert		Standard insert with flingers		Weight lb	A	B	C	D	F bolt dia.	H	J	L	M
		Part no.	Description	Part no.	Description										
204	1/2	059823	F2B-SCEZ-008L-PCR*	@	F2B-SCEZ-008L-P	0.48	1.23	4.45	1.43	3.54	3/8	0.53	0.31	1.12	2.35
	5/8	058792	F2B-SCEZ-010L-PCR*	@	F2B-SCEZ-010L-P	0.44	1.23	4.45	1.43	3.54	3/8	0.53	0.31	1.12	2.35
	3/4	127524	F2B-SCEZ-012-PCR	058404	F2B-SCEZ-012-P	0.40	1.23	4.45	1.43	3.54	3/8	0.53	0.31	1.12	2.35
	20mm	127563	F2B-SCEZ-20M-PCR	@	F2B-SCEZ-20M-P	0.24	31.2	113.0	36.3	90.0	M10	13.5	7.9	28.4	59.7
205	7/8	@	F2B-SCEZ-014-PCR*	062837	F2B-SCEZ-014-P	0.64	1.34	4.92	1.50	3.90	3/8	0.54	0.36	1.32	2.71
	15/16	076841	F2B-SCEZ-015-PCR*	@	F2B-SCEZ-015-P	0.60	1.34	4.92	1.50	3.90	3/8	0.54	0.36	1.32	2.71
	1	127525	F2B-SCEZ-100-PCR	057524	F2B-SCEZ-100-P	0.56	1.34	4.92	1.50	3.90	3/8	0.54	0.36	1.32	2.71
	25mm	127564	F2B-SCEZ-25M-PCR	@	F2B-SCEZ-25M-P	0.28	34.0	125.0	38.1	99.0	M10	13.7	9.1	33.5	68.8
206	1-1/8	058470	F2B-SCEZ-102-PCR*	@	F2B-SCEZ-102-P	0.88	1.52	5.58	1.69	4.59	3/8	0.60	0.45	1.57	3.19
	1-3/16	127526	F2B-SCEZ-103-PCR	056449	F2B-SCEZ-103-P	0.86	1.52	5.58	1.69	4.59	3/8	0.60	0.45	1.57	3.19
	1-1/4	127527	F2B-SCEZ-104S-PCR	057594	F2B-SCEZ-104S-P	0.84	1.52	5.58	1.69	4.59	3/8	0.60	0.45	1.57	3.19
	30mm	127565	F2B-SCEZ-30M-PCR	@	F2B-SCEZ-30M-P	0.39	38.6	141.7	42.9	116.5	M10	15.2	11.4	39.9	81.0
207	1-1/4	127528	F2B-SCEZ-104-PCR	057687	F2B-SCEZ-104-P	1.36	1.71	6.31	1.82	5.12	1/2	0.62	0.54	1.84	3.69
	1-5/16	049380	F2B-SCEZ-105-PCR*	@	F2B-SCEZ-105-P	1.32	1.71	6.31	1.82	5.12	1/2	0.62	0.54	1.84	3.69
	1-3/8	056893	F2B-SCEZ-106-PCR*	056526	F2B-SCEZ-106-P	1.28	1.71	6.31	1.82	5.12	1/2	0.62	0.54	1.84	3.69
	1-7/16	127529	F2B-SCEZ-107-PCR	058941	F2B-SCEZ-107-P	1.24	1.71	6.31	1.82	5.12	1/2	0.62	0.54	1.84	3.69
	35mm	127566	F2B-SCEZ-35M-PCR	@	F2B-SCEZ-35M-P	0.61	43.4	160.3	46.2	130.0	M12	15.7	13.7	46.7	93.7
208	1-1/2	127530	F2B-SCEZ-108-PCR	056580	F2B-SCEZ-108-P	1.82	1.94	6.77	2.08	5.65	1/2	0.67	0.63	2.05	4.06
	1-5/8	073651	F2B-SCEZ-110-PCR*	073638	F2B-SCEZ-110-P	1.78	1.94	6.77	2.08	5.65	1/2	0.67	0.63	2.05	4.06
	40mm	127567	F2B-SCEZ-40M-PCR	@	F2B-SCEZ-40M-P	0.76	49.3	172.0	52.8	143.5	M12	17.0	16.0	52.1	103.1
209	1-5/8	@	F2B-SCEZ-110L-PCR*	@	F2B-SCEZ-110L-P	2.04	1.94	7.07	2.08	5.85	9/16	0.72	0.62	2.22	4.31
	1-11/16	127531	F2B-SCEZ-111-PCR	067986	F2B-SCEZ-111-P	2.00	1.94	7.07	2.08	5.85	9/16	0.72	0.62	2.22	4.31
	1-3/4	@	F2B-SCEZ-112-PCR	065786	F2B-SCEZ-112-P	1.96	1.94	7.07	2.08	5.85	9/16	0.72	0.62	2.22	4.31
	45mm	127568	F2B-SCEZ-45M-PCR	@	F2B-SCEZ-45M-P	0.88	49.3	179.6	52.8	148.5	M14	18.3	15.7	56.4	109.5
210	1-15/16	127532	F2B-SCEZ-115-PCR	058593	F2B-SCEZ-115-P	2.12	1.94	7.47	2.22	6.18	5/8	0.76	0.63	2.43	4.50
	2	049835	F2B-SCEZ-200-PCR	@	F2B-SCEZ-200-P	2.08	1.94	7.47	2.22	6.18	5/8	0.76	0.63	2.43	4.50
	50mm	127569	F2B-SCEZ-50M-PCR	@	F2B-SCEZ-50M-P	0.96	49.3	189.7	56.4	157.0	M16	19.3	16.0	61.7	114.3

@ Assembled to order * 20 piece minimum

E-Z Kleen mounted ball bearings

Selection/Dimensions

E-Z Kleen mounted ball bearings
GTEZ normal duty polymer housed
flange bracket bearings



Series	Shaft size	Complete unit		Unit without adapter		Adapter & nut assembly	
		Part no.	Description	Part no.	Description	Part no.	Description
204	3/4	129627	FB-GTEZ-012-PCR	129555	FB-GTEZ-04-PCR	129967	AN-GT-04-012-CR
205	1	129629	FB-GTEZ-100-PCR	129556	FB-GTEZ-05-PCR	129968	AN-GT-05-100-CR
206	1-1/8	@	FB-GTEZ-102-PCR	129557	FB-GTEZ-06-PCR	129969	AN-GT-06-102-CR
	1-3/16	129631	FB-GTEZ-103-PCR	129557	FB-GTEZ-06-PCR	129970	AN-GT-06-103-CR
	1-1/4	129632	FB-GTEZ-104S-PCR	129557	FB-GTEZ-06-PCR	129971	AN-GT-06-104S-CR
207	1-1/4	129634	FB-GTEZ-104-PCR	129558	FB-GTEZ-07-PCR	129972	AN-GT-07-104-CR
	1-3/8	@	FB-GTEZ-106-PCR	129558	FB-GTEZ-07-PCR	129973	AN-GT-07-106-CR
	1-7/16	129635	FB-GTEZ-107-PCR	129558	FB-GTEZ-07-PCR	129974	AN-GT-07-107-CR

@ Assembled to order

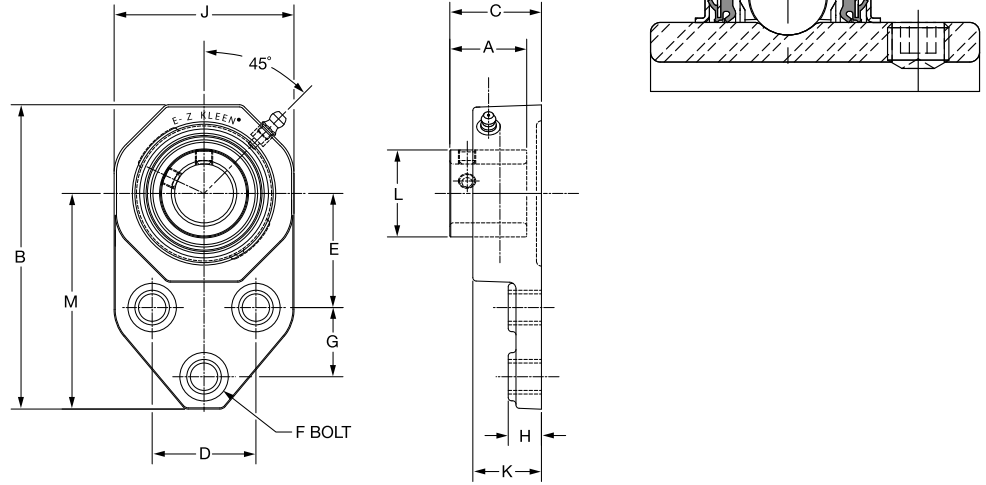
Series	Shaft size	Weight lb ks	A	B	C#	D	E	F Bolt Dia.	G	H	I	J	K	L	Z
204	3/4	0.75	1.48	4.39	1.72	1.50	1.69	3/8	0.88	0.53	3.22	2.34	1.12	1.50	1.73
205	1	1.12	1.46	4.91	1.70	1.63	1.81	3/8	1.13	0.54	3.56	2.71	1.14	1.80	1.72
206	1-1/8	1.77	1.46	4.91	1.70	1.63	1.81	3/8	1.13	0.54	3.56	2.71	1.14	1.80	1.72
	1-3/16	1.67	1.61	5.48	1.84	1.88	2.06	3/8	1.25	0.60	3.88	3.20	1.24	2.08	1.88
	1-1/4	1.57	1.61	5.48	1.84	1.88	2.06	3/8	1.25	0.60	3.88	3.20	1.24	2.08	1.88
207	1-1/4	2.65	1.61	5.48	1.84	1.88	2.06	3/8	1.25	0.60	3.88	3.20	1.24	2.08	1.88
	1-3/8	2.58	1.62	6.11	1.86	2.00	2.38	1/2	1.25	0.62	4.26	3.69	1.28	2.38	1.92
	1-7/16	2.55	1.62	6.11	1.86	2.00	2.38	1/2	1.25	0.62	4.26	3.69	1.28	2.38	1.92

#C dimension will vary slightly depending on true shaft diameter

E-Z Kleen mounted ball bearings

Selection/Dimensions

E-Z Kleen mounted ball bearings
SCEZ normal duty polymer
housed flange brackets



Series	Shaft size	With corrosion resistant insert		With insert with flingers	
		Part no.	Description	Part no.	Description
204	1/2	@	FB-SCEZ-008-PCR*	062317	FB-SCEZ-008L-P
	5/8	@	FB-SCEZ-010-PCR*	@	FB-SCEZ-010-P
	3/4	127533	FB-SCEZ-012-PCR	058336	FB-SCEZ-012-P
	20mm	127570	FB-SCEZ-20M-PCR	@	FB-SCEZ-20M-P
205	7/8	@	FB-SCEZ-014-PCR*	@	FB-SCEZ-014-P
	15/16	@	FB-SCEZ-015-PCR*	@	FB-SCEZ-015-P
	1	127534	FB-SCEZ-100-PCR	057908	FB-SCEZ-100-P
	25mm	127521	FB-SCEZ-25M-PCR	@	FB-SCEZ-25M-P
206	1-1/8	@	FB-SCEZ-102-PCR*	@	FB-SCEZ-102-P
	1-3/16	127535	FB-SCEZ-103-PCR	@	FB-SCEZ-103-P
	1-1/4	127536	FB-SCEZ-104S-PCR	058311	FB-SCEZ-104S-P
	30mm	127522	FB-SCEZ-30M-PCR	@	FB-SCEZ-30M-P
207	1-1/4	127537	FB-SCEZ-104-PCR	@	FB-SCEZ-104-P
	1-5/16	058648	FB-SCEZ-105-PCR*	@	FB-SCEZ-105-P
	1-3/8	@	FB-SCEZ-106-PCR*	@	FB-SCEZ-106-P
	1-7/16	127538	FB-SCEZ-107-PCR	@	FB-SCEZ-107-P
	35mm	127523	FB-SCEZ-35M-PCR	@	FB-SCEZ-35M-P

@ Assembled to order

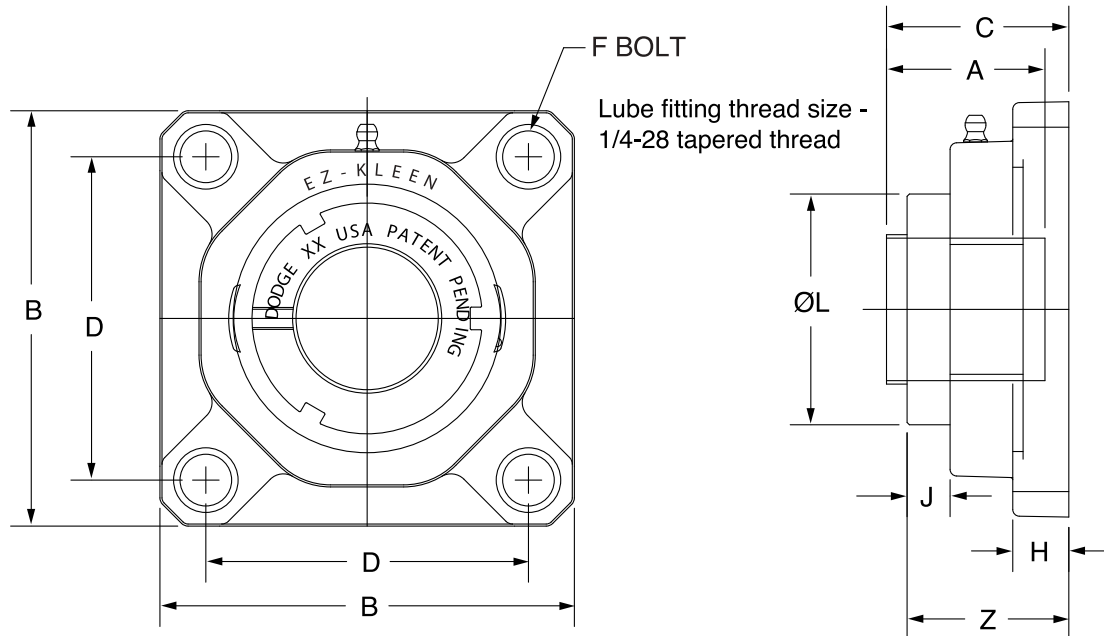
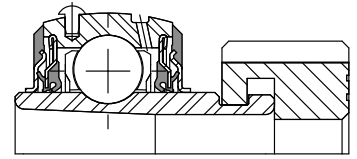
* 20 piece minimum

Series	Shaft size	Weight lb kg	A	B	C	D	E	F bolt dia.	G	H	I	J	K	L
204	1/2	0.51	1.23	4.39	1.44	1.50	1.69	3/8	0.88	0.53	3.22	2.34	1.12	1.12
	5/8	0.49	1.23	4.39	1.44	1.50	1.69	3/8	0.88	0.53	3.22	2.34	1.12	1.12
	3/4	0.47	1.23	4.39	1.44	1.50	1.69	3/8	0.88	0.53	3.22	2.34	1.12	1.12
	20mm	0.23	31.2	111.5	36.6	38.1	42.9	M10	22.4	13.5	81.8	59.4	28.4	28.4
205	7/8	0.73	1.34	4.91	1.50	1.63	1.81	3/8	1.13	0.54	3.56	2.71	1.14	1.32
	15/16	0.71	1.34	4.91	1.50	1.63	1.81	3/8	1.13	0.54	3.56	2.71	1.14	1.32
	1	0.69	1.34	4.91	1.50	1.63	1.81	3/8	1.13	0.54	3.56	2.71	1.14	1.32
	25mm	0.32	34.0	124.7	38.1	41.4	46.0	M10	28.7	13.7	90.4	68.8	29.0	33.5
206	1-1/8	1.09	1.52	5.48	1.69	1.88	2.06	3/8	1.25	0.60	3.88	3.20	1.24	1.57
	1-3/16	1.07	1.52	5.48	1.69	1.88	2.06	3/8	1.25	0.60	3.88	3.20	1.24	1.57
	1-1/4	1.05	1.52	5.48	1.69	1.88	2.06	3/8	1.25	0.60	3.88	3.20	1.24	1.57
	30mm	0.48	38.6	139.2	42.9	47.8	52.3	M10	31.8	15.2	98.6	81.3	31.5	39.9
207	1-1/4	1.87	1.71	6.11	1.82	2.00	2.38	1/2	1.25	0.62	4.26	3.69	1.28	1.84
	1-5/16	1.81	1.71	6.11	1.82	2.00	2.38	1/2	1.25	0.62	4.26	3.69	1.28	1.84
	1-3/8	1.76	1.71	6.11	1.82	2.00	2.38	1/2	1.25	0.62	4.26	3.69	1.28	1.84
	1-7/16	1.71	1.71	6.11	1.82	2.00	2.38	1/2	1.25	0.62	4.26	3.69	1.28	1.84
	35mm	0.83	43.4	155.2	46.2	50.8	60.5	M12	31.8	15.7	108.2	93.7	32.5	46.7

E-Z Kleen mounted ball bearings

Selection/Dimensions

E-Z Kleen mounted ball bearings
GTEZ normal duty polymer
housed 4-bolt flange bearings



Series	Shaft size	Complete unit		Unit without adapter		Adapter & nut assembly	
		Part no.	Description	Part no.	Description	Part no.	Description
204	3/4 20mm	129706	F4B-GTEZ-012-PCR	129541	F4B-GTEZ-04-PCR	129967	AN-GT-04-012-CR
		129707	F4B-GTEZ-20M-PCR	129541	F4B-GTEZ-04-PCR	129980	AN-GT-04-20M-CR
205	1 25mm	129708	F4B-GTEZ-100-PCR	129542	F4B-GTEZ-05-PCR	129968	AN-GT-05-100-CR
		129709	F4B-GTEZ-25M-PCR	129542	F4B-GTEZ-05-PCR	129981	AN-GT-05-25M-CR
206	1-1/8 1-3/16 1-1/4 30mm	068687	F4B-GTEZ-102-PCR	129543	F4B-GTEZ-06-PCR	129969	AN-GT-06-102-CR
		129710	F4B-GTEZ-103-PCR	129543	F4B-GTEZ-06-PCR	129970	AN-GT-06-103-CR
		129711	F4B-GTEZ-104S-PCR	129543	F4B-GTEZ-06-PCR	129971	AN-GT-06-104S-CR
207	1-1/4 1-3/8 1-7/16 35mm	129712	F4B-GTEZ-30M-PCR	129543	F4B-GTEZ-06-PCR	129982	AN-GT-06-30M-CR
		129713	F4B-GTEZ-104-PCR	129544	F4B-GTEZ-07-PCR	129972	AN-GT-07-104-CR
		@	F4B-GTEZ-106-PCR	129544	F4B-GTEZ-07-PCR	129973	AN-GT-07-106-CR
		129714	F4B-GTEZ-107-PCR	129544	F4B-GTEZ-07-PCR	129974	AN-GT-07-107-CR
208	1-1/2 40mm 1-11/16	129715	F4B-GTEZ-35M-PCR	129544	F4B-GTEZ-07-PCR	129983	AN-GT-07-35M-CR
		129716	F4B-GTEZ-108-PCR	129545	F4B-GTEZ-08-PCR	129975	AN-GT-08-108-CR
		129717	F4B-GTEZ-40M-PCR	129545	F4B-GTEZ-08-PCR	129984	AN-GT-08-40M-CR
209	1-3/4 45mm	129718	F4B-GTEZ-111-PCR	129546	F4B-GTEZ-09-PCR	129976	AN-GT-09-111-CR
		064584	F4B-GTEZ-112-PCR	129546	F4B-GTEZ-09-PCR	129977	AN-GT-09-112-CR
210	1-15/16 2 50mm	129705	F4B-GTEZ-45M-PCR	129546	F4B-GTEZ-09-PCR	129985	AN-GT-09-45M-CR
		129719	F4B-GTEZ-115-PCR	129547	F4B-GTEZ-10-PCR	129978	AN-GT-10-115-CR
		129395	F4B-GTEZ-200-PCR	129547	F4B-GTEZ-10-PCR	129979	AN-GT-10-200-CR
		129720	F4B-GTEZ-50M-PCR	129547	F4B-GTEZ-10-PCR	129986	AN-GT-10-50M-CR

@ Assembled to order

E-Z Kleen mounted ball bearings

Selection/Dimensions

E-Z Kleen mounted ball bearings
 GTEZ normal duty polymer
 housed 4-bolt flange bearings

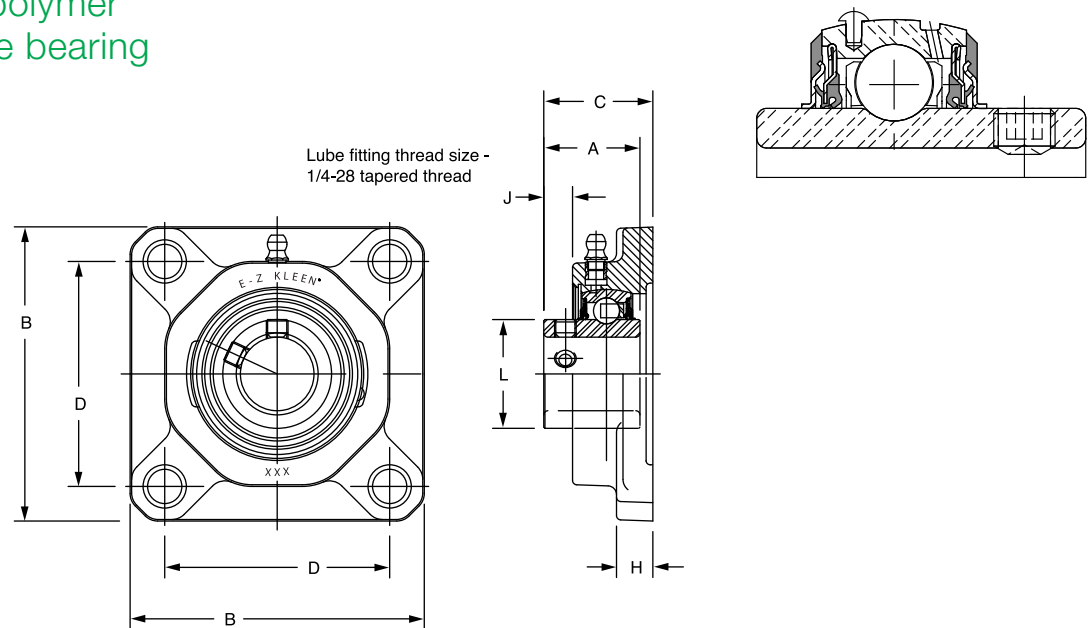
Series	Shaft size	Weight lb kg	A	B	C#	D	F bolt dia.	H	J	L	Z
204	3/4	0.50	1.48	3.38	1.72	2.50	3/8	0.53	0.59	1.50	1.73
	20mm	0.30	37.6	85.9	43.7	63.5	M10	13.5	15.0	38.1	43.9
205	1	0.90	1.46	3.75	1.70	2.75	3/8	0.54	0.58	1.80	1.72
	25mm	0.30	37.1	95.3	43.2	69.9	M10	13.7	14.7	45.7	43.7
206	1-1/8	1.20	1.61	4.25	1.84	3.25	3/8	0.60	0.64	2.08	1.88
	1-3/16	1.20	1.61	4.25	1.84	3.25	3/8	0.60	0.64	2.08	1.88
	1-1/4	1.20	1.61	4.25	1.84	3.25	3/8	0.60	0.64	2.08	1.88
	30mm	0.50	40.9	108.0	46.7	82.6	M10	15.2	16.3	52.8	47.8
207	1-1/4	1.60	1.62	4.65	1.86	3.63	1/2	0.62	0.63	2.38	1.92
	1-3/8	1.60	1.62	4.65	1.86	3.63	1/2	0.62	0.63	2.38	1.92
	1-7/16	1.60	1.62	4.65	1.86	3.63	1/2	0.62	0.63	2.38	1.92
	35mm	0.70	41.1	118.1	47.2	92.1	M12	15.7	16.0	60.5	48.8
208	1-1/2	2.00	1.84	5.12	2.12	4.00	1/2	0.67	0.66	2.62	2.12
	40mm	0.90	46.7	130.0	53.8	101.6	M12	17.0	16.8	66.5	53.8
209	1-11/16	2.30	1.85	5.38	2.12	4.13	9/16	0.72	0.69	2.86	2.15
	1-3/4	2.30	1.85	5.38	2.12	4.13	9/16	0.72	0.69	2.86	2.15
	45mm	1.00	47.0	136.7	53.8	104.8	M14	18.3	17.5	72.6	54.6
210	1-15/16	2.30	1.86	5.62	2.26	4.38	5/8	0.76	0.70	3.13	2.29
	2	2.30	1.86	5.62	2.26	4.38	5/8	0.76	0.70	3.13	2.29
	50mm	1.10	47.2	142.7	57.4	111.2	M16	19.3	17.8	79.5	58.2

#C dimension will vary slightly depending on true shaft diameter.

E-Z Kleen mounted ball bearings

Selection/Dimensions

E-Z Kleen mounted ball bearings
SCEZ normal duty polymer
housed 4-bolt flange bearing



Series	Shaft size	With corrosion resistant insert		With insert with flingers		Weight lb kg	A	B	C	D	F bolt dia.	H	J	L
		Part no.	Description	Part no.	Description									
204	1/2	073224	F4B-SCEZ-008L-PCR*	@	F4B-SCEZ-008L-P	0.59	1.23	3.38	1.46	2.50	3/8	0.53	0.30	1.12
	5/8	@	F4B-SCEZ-010L-PCR*	@	F4B-SCEZ-010L-P	0.57	1.23	3.38	1.46	2.50	3/8	0.53	0.30	1.12
	3/4	127515	F4B-SCEZ-012-PCR	056440	F4B-SCEZ-012-P	0.55	1.23	3.38	1.46	2.50	3/8	0.53	0.30	1.12
	20mm	127556	F4B-SCEZ-20M-PCR	@	F4B-SCEZ-20M-P	0.27	31.2	85.9	37.0	63.5	M10	13.5	7.6	28.4
205	7/8	068424	F4B-SCEZ-014-PCR*	@	F4B-SCEZ-014-P	0.71	1.34	3.75	1.52	2.75	3/8	0.54	0.36	1.32
	15/16	@	F4B-SCEZ-015-PCR*	@	F4B-SCEZ-015-P	0.69	1.34	3.75	1.52	2.75	3/8	0.54	0.36	1.32
	1	127516	F4B-SCEZ-100-PCR	058910	F4B-SCEZ-100-P	0.67	1.34	3.75	1.52	2.75	3/8	0.54	0.36	1.32
	25mm	127557	F4B-SCEZ-25M-PCR	@	F4B-SCEZ-25M-P	0.32	34.0	95.3	38.6	69.9	M10	13.7	9.1	33.5
206	1-1/8	068053	F4B-SCEZ-102-PCR*	@	F4B-SCEZ-102-P	0.89	1.52	4.25	1.72	3.25	3/8	0.60	0.45	1.57
	1-3/16	127517	F4B-SCEZ-103-PCR	@	F4B-SCEZ-103-P	0.86	1.52	4.25	1.72	3.25	3/8	0.60	0.45	1.57
	1-1/4	127518	F4B-SCEZ-104S-PCR	058594	F4B-SCEZ-104S-P	0.84	1.52	4.25	1.72	3.25	3/8	0.60	0.45	1.57
	30mm	127558	F4B-SCEZ-30M-PCR	@	F2B-SCEZ-30M-P	0.39	38.6	108.0	43.7	82.6	M10	15.2	11.4	39.9
207	1-1/4	127519	F4B-SCEZ-104-PCR	074632	F4B-SCEZ-104-P	1.40	1.71	4.65	1.84	3.63	1/2	0.62	0.53	1.84
	1-5/16	@	F4B-SCEZ-105-PCR*	@	F4B-SCEZ-105-P	1.35	1.71	4.65	1.84	3.63	1/2	0.62	0.53	1.84
	1-3/8	058294	F4B-SCEZ-106-PCR*	065780	F4B-SCEZ-106-P	1.30	1.71	4.65	1.84	3.63	1/2	0.62	0.53	1.84
	1-7/16	127520	F4B-SCEZ-107-PCR	@	F4B-SCEZ-107-P	1.24	1.71	4.65	1.84	3.63	1/2	0.62	0.53	1.84
	35mm	127559	F4B-SCEZ-35M-PCR	@	F4B-SCEZ-35M-P	0.61	43.4	118.1	46.7	92.1	M12	15.7	13.5	46.7
208	1-1/2	127521	F4B-SCEZ-108-PCR	058595	F4B-SCEZ-108-P	1.82	1.94	5.12	2.10	4.00	1/2	0.67	0.62	2.05
	1-5/8	062628	F4B-SCEZ-110-PCR*	@	F4B-SCEZ-110-P	1.68	1.94	5.12	2.10	4.00	1/2	0.67	0.62	2.05
	40mm	127560	F4B-SCEZ-40M-PCR	@	F4B-SCEZ-40M-P	0.76	49.3	130.0	53.3	101.6	M12	17.0	15.7	52.1
209	1-5/8	@	F4B-SCEZ-110L-PCR*	@	F4B-SCEZ-110L-P	2.09	1.94	5.38	2.10	4.13	9/16	0.72	0.62	2.22
	1-11/16	127522	F4B-SCEZ-111-PCR	@	F4B-SCEZ-111-P	2.00	1.94	5.38	2.10	4.13	9/16	0.72	0.62	2.22
	1-3/4	057907	F4B-SCEZ-112-PCR*	@	F4B-SCEZ-112-P	1.93	1.94	5.38	2.10	4.13	9/16	0.72	0.62	2.22
	45mm	127561	F4B-SCEZ-45M-PCR	@	F4B-SCEZ-45M-P	0.88	49.3	136.7	53.3	104.8	M14	18.3	15.7	56.4
210	1-15/16	127523	F4B-SCEZ-115-PCR	@	F4B-SCEZ-115-P	2.12	1.94	5.62	2.24	4.38	5/8	0.76	0.63	2.43
	2	057899	F4B-SCEZ-200-PCR	@	F4B-SCEZ-200-P	2.03	1.94	5.62	2.24	4.38	5/8	0.76	0.63	2.43
	50mm	127562	F4B-SCEZ-50M-PCR	@	F4B-SCEZ-50M-P	0.96	49.3	142.7	56.9	111.2	M16	19.3	16.0	61.7

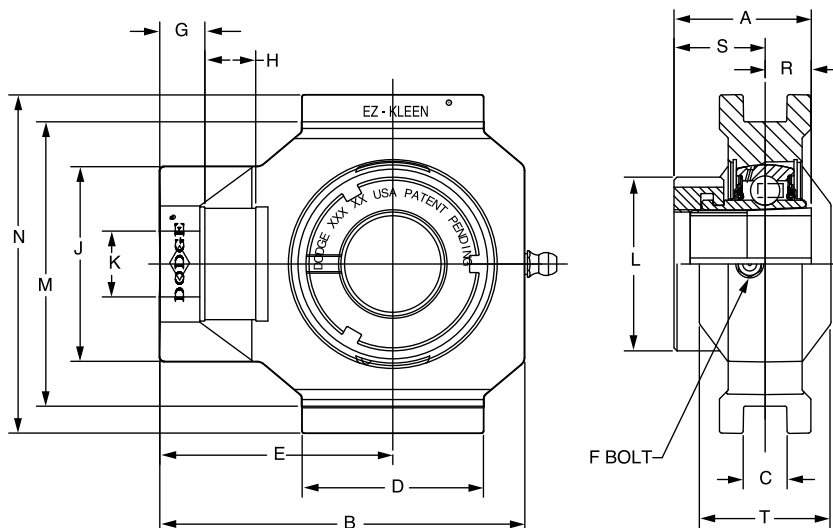
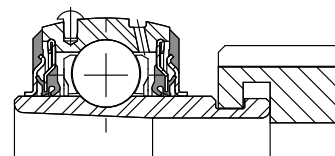
@ Assembled to order

* 20 piece minimum

E-Z Kleen mounted ball bearings

Selection/Dimensions

E-Z Kleen mounted ball bearings
 GTEZ normal duty polymer
 housed wide slot take-up bearings



Series	Shaft size	With corrosion resistant insert		Unit without adapter & nut		Adapter & nut assembly	
		Part no.	Description	Part no.	Description	Part no.	Description
204	3/4	136315	WSTU-GTEZ-012-PCR	136327	WSTU-GTEZ-04-PCR	129967	AN-GT-04-012-CR
	20mm	136323	WSTU-GTEZ-20M-PCR	136327	WSTU-GTEZ-04-PCR	129980	AN-GT-04-20M-CR
205	1	136316	WSTU-GTEZ-100-PCR	136328	WSTU-GTEZ-05-PCR	129968	AN-GT-05-100-CR
	25mm	136324	WSTU-GTEZ-25M-PCR	136328	WSTU-GTEZ-05-PCR	129981	AN-GT-05-25M-CR
206	1-1/8	136317	WSTU-GTEZ-102-PCR	136329	WSTU-GTEZ-06-PCR	129969	AN-GT-06-102-CR
	1-3/16	136318	WSTU-GTEZ-103-PCR	136329	WSTU-GTEZ-06-PCR	129970	AN-GT-06-103-CR
	1-1/4	136319	WSTU-GTEZ-104S-PCR	136329	WSTU-GTEZ-06-PCR	129971	AN-GT-06-104S-CR
	30mm	136325	WSTU-GTEZ-30M-PCR	136329	WSTU-GTEZ-06-PCR	129982	AN-GT-06-30M-CR
207	1-1/4	136320	WSTU-GTEZ-104-PCR	136330	WSTU-GTEZ-07-PCR	129972	AN-GT-07-104-CR
	1-3/8	136321	WSTU-GTEZ-106-PCR	136330	WSTU-GTEZ-07-PCR	129973	AN-GT-07-106-CR
	1-7/16	136322	WSTU-GTEZ-107-PCR	136330	WSTU-GTEZ-07-PCR	129974	AN-GT-07-107-CR
	35mm	136326	WSTU-GTEZ-35M-PCR	136330	WSTU-GTEZ-07-PCR	129983	AN-GT-07-35M-CR

E-Z Kleen mounted ball bearings

Selection/Dimensions

E-Z Kleen mounted ball bearings
 GTEZ normal duty polymer
 housed wide slot take-up bearings

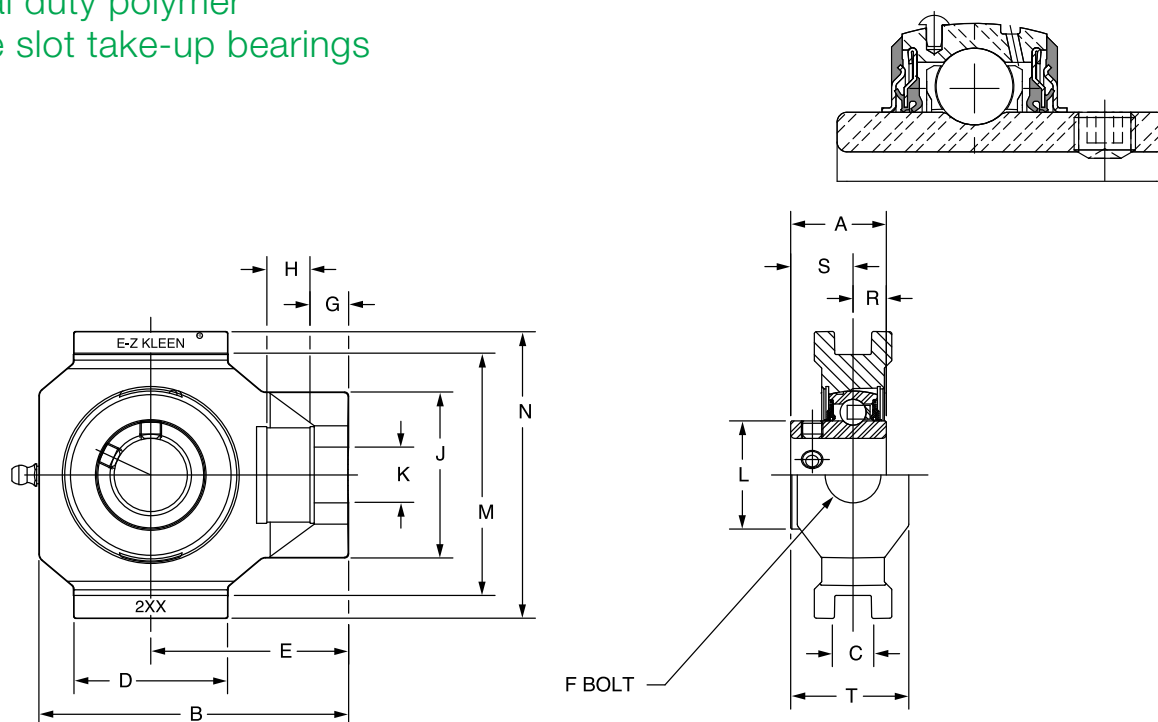
Series	Shaft size	Weight lb kg	Take-up frame no. ref.	A	B	C	D	E	F thd shaft	G	H
204	3/4	0.90	WS300	1.48	3.81	0.530	2.10	2.50	5/8	0.56	0.65
	20mm	0.40	WS300	37.6	96.8	13.46	53.3	63.5	15.9	14.2	16.5
205	1	1.20	WS300	1.46	3.97	0.530	2.20	2.56	5/8	0.56	0.65
	25mm	0.50	WS300	37.1	100.8	13.46	55.9	65.0	15.9	14.2	16.5
206	1-1/8	1.80	WS308	1.61	4.49	0.530	2.29	2.86	3/4	0.56	0.65
	1-3/16	1.70	WS308	1.61	4.49	0.530	2.29	2.86	3/4	0.56	0.65
	1-1/4	1.60	WS308	1.61	4.49	0.530	2.29	2.86	3/4	0.56	0.65
	30mm	0.80	WS308	40.9	114.0	13.46	58.2	72.6	19.1	14.2	16.5
207	1-1/4	2.40	WS308	1.62	4.99	0.530	2.25	3.10	3/4	0.56	0.65
	1-3/8	2.30	WS308	1.62	4.99	0.530	2.25	3.10	3/4	0.56	0.65
	1-7/16	2.30	WS308	1.62	4.99	0.530	2.25	3.10	3/4	0.56	0.65
	35mm	1.08	WS308	41.1	126.7	13.46	57.2	78.7	19.1	14.2	16.5

Series	Shaft size	J	K	L	M	N	R	S	T	Z
204	3/4	2.10	0.71	1.50	3.015/2.985	3.63	0.46	1.02	1.38	1.73
	20mm	53.3	18.0	38.1	76.58/75.82	92.2	11.7	25.9	35.1	43.9
205	1	2.12	0.71	1.80	3.030/3.000	3.63	0.48	0.98	1.38	1.72
	25mm	53.8	18.0	45.7	76.96/76.20	92.2	12.2	24.9	35.1	43.7
206	1-1/8	2.41	0.81	2.08	3.525/3.495	4.20	0.52	1.09	1.62	1.88
	1-3/16	2.41	0.81	2.08	3.525/3.495	4.20	0.52	1.09	1.62	1.88
	1-1/4	2.41	0.81	2.08	3.525/3.495	4.20	0.52	1.09	1.62	1.88
	30mm	61.2	20.6	52.8	89.54/88.77	106.7	13.2	27.7	41.1	47.8
207	1-1/4	2.41	0.81	2.38	3.540/3.510	4.20	0.54	1.08	1.62	1.92
	1-3/8	2.41	0.81	2.38	3.540/3.510	4.20	0.54	1.08	1.62	1.92
	1-7/16	2.41	0.81	2.38	3.540/3.510	4.20	0.54	1.08	1.62	1.92
	35mm	61.2	20.6	60.5	89.93/89.15	106.7	13.7	27.4	41.1	48.8

E-Z Kleen mounted ball bearings

Selection/Dimensions

E-Z Kleen mounted ball bearings
 SCEZ normal duty polymer
 housed wide slot take-up bearings



Series	Shaft size	With corrosion resistant insert		Standard insert with flingers	
		Part no.	Description	Part No.	Description
204	1/2	@	WSTU-SCEZ-008L-PCR*	@	WSTU-SCEZ-008L-P
	5/8	@	WSTU-SCEZ-010L-PCR*	@	WSTU-SCEZ-010L-P
	3/4	127539	WSTU-SCEZ-012-PCR	@	WSTU-SCEZ-012-P
	20mm	127574	WSTU-SCEZ-20M-PCR	@	WSTU-SCEZ-20M-P
205	7/8	@	WSTU-SCEZ-014-PCR*	@	WSTU-SCEZ-014-P
	15/16	@	WSTU-SCEZ-015-PCR*	@	WSTU-SCEZ-015-P
	1	127540	WSTU-SCEZ-100-PCR	058940	WSTU-SCEZ-100-P
	25mm	127575	WSTU-SCEZ-25M-PCR	@	WSTU-SCEZ-25M-P
206	1-1/8	@	WSTU-SCEZ-102-PCR*	@	WSTU-SCEZ-102-P
	1-3/16	127541	WSTU-SCEZ-103-PCR	@	WSTU-SCEZ-103-P
	1-1/4	127542	WSTU-SCEZ-104S-PCR	@	WSTU-SCEZ-104S-P
	30mm	127576	WSTU-SCEZ-30M-PCR	@	WSTU-SCEZ-30M-P
207	1-1/4	127543	WSTU-SCEZ-104-PCR	@	WSTU-SCEZ-104-P
	1-5/16	@	WSTU-SCEZ-105-PCR*	@	WSTU-SCEZ-105-P
	1-3/8	@	WSTU-SCEZ-106-PCR*	073836	WSTU-SCEZ-106-P
	1-7/16	127544	WSTU-SCEZ-107-PCR	@	WSTU-SCEZ-107-P
	35mm	127577	WSTU-SCEZ-35M-PCR	@	WSTU-SCEZ-35M-P

E-Z Kleen mounted ball bearings

Selection/Dimensions

E-Z Kleen mounted ball bearings
SCEZ normal duty polymer
housed wide slot take-up bearings

Series	Shaft size	Weight lb kg	Take-up frame no. ref.	A	B	C	D	E	F thd shaft	G
204	1/2	0.86	WS300	1.23	3.81	0.545/0.515	2.10	2.50	5/8	0.56
	5/8	0.76	WS300	1.23	3.81	0.545/0.515	2.10	2.50	5/8	0.56
	3/4	0.66	WS300	1.23	3.81	0.545/0.515	2.10	2.50	5/8	0.56
	20mm	0.31	WS300	31.2	96.8	13.84/13.08	53.3	63.5	15.9	14.2
205	7/8	0.92	WS300	1.34	3.97	0.545/0.515	2.20	2.56	5/8	0.56
	15/16	0.82	WS300	1.34	3.97	0.545/0.515	2.20	2.56	5/8	0.56
	1	0.72	WS300	1.34	3.97	0.545/0.515	2.20	2.56	5/8	0.56
	25mm	0.34	WS300	34.0	100.8	13.84/13.08	55.9	65.0	15.9	14.2
206	1-1/8	1.11	WS308	1.52	4.49	0.545/0.515	2.29	2.86	3/4	0.56
	1-3/16	1.09	WS308	1.52	4.49	0.545/0.515	2.29	2.86	3/4	0.56
	1-1/4	1.07	WS308	1.52	4.49	0.545/0.515	2.29	2.86	3/4	0.56
	30mm	0.49	WS308	38.6	114.0	13.84/13.08	58.2	72.6	19.1	14.2
207	1-1/4	1.58	WS308	1.71	4.99	0.545/0.515	2.25	3.10	3/4	0.56
	1-5/16	1.52	WS308	1.71	4.99	0.545/0.515	2.25	3.10	3/4	0.56
	1-3/8	1.47	WS308	1.71	4.99	0.545/0.515	2.25	3.10	3/4	0.56
	1-7/16	1.42	WS308	1.71	4.99	0.545/0.515	2.25	3.10	3/4	0.56
	35mm	0.69	WS308	43.4	126.7	13.84/13.08	57.2	78.7	19.1	14.2

Series	Shaft size	H	J	K	L	M	N	R	S	T
204	1/2	0.65	2.10	0.71	1.12	3.015/2.985	3.63	0.50	0.73	1.38
	5/8	0.65	2.10	0.71	1.12	3.015/2.985	3.63	0.50	0.73	1.38
	3/4	0.65	2.10	0.71	1.12	3.015/2.985	3.63	0.50	0.73	1.38
	20mm	16.5	53.3	18.0	28.4	76.58/75.82	92.2	12.7	18.5	35.1
205	7/8	0.65	2.12	0.71	1.32	3.030/3.000	3.63	0.56	0.78	1.38
	15/16	0.65	2.12	0.71	1.32	3.030/3.000	3.63	0.56	0.78	1.38
	1	0.65	2.12	0.71	1.32	3.030/3.000	3.63	0.56	0.78	1.38
	25mm	16.5	53.8	18.0	33.5	76.96/76.20	92.2	14.2	19.8	35.1
206	1-1/8	0.65	2.41	0.81	1.57	3.525/3.495	4.20	0.58	0.94	1.62
	1-3/16	0.65	2.41	0.81	1.57	3.525/3.495	4.20	0.58	0.94	1.62
	1-1/4	0.65	2.41	0.81	1.57	3.525/3.495	4.20	0.58	0.94	1.62
	30mm	16.5	61.2	20.6	39.9	89.54/88.77	106.7	14.7	23.9	41.1
207	1-1/4	0.65	2.41	0.81	1.84	3.540/3.510	4.20	0.67	1.04	1.62
	1-5/16	0.65	2.41	0.81	1.84	3.540/3.510	4.20	0.67	1.04	1.62
	1-3/8	0.65	2.41	0.81	1.84	3.540/3.510	4.20	0.67	1.04	1.62
	1-7/16	0.65	2.41	0.81	1.84	3.540/3.510	4.20	0.67	1.04	1.62
	35mm	16.5	61.2	20.6	46.7	89.93/89.15	106.7	17.0	26.4	41.1

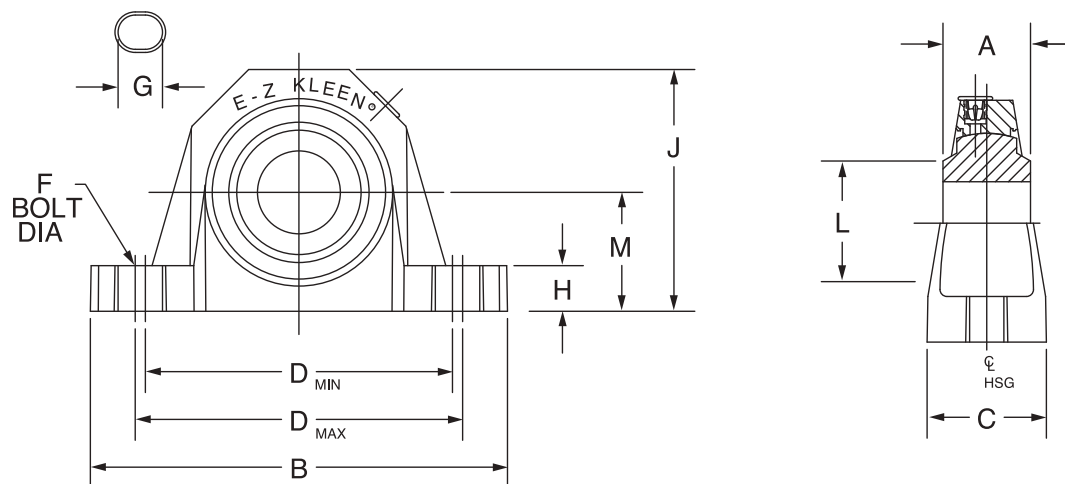
@ Assembled to order

* 20 piece minimum

E-Z Kleen mounted ball bearings

Selection/Dimensions

E-Z Kleen mounted bearings
PSEZ polymer sleeve polymer
housed pillow blocks



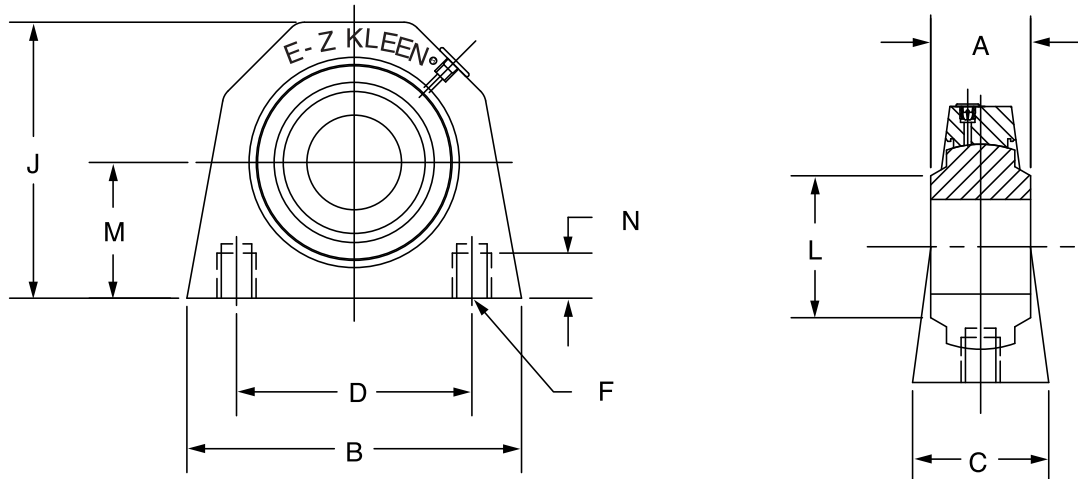
Series	Shaft size	Part no.	Description
204	3/4	034700	P2B-PSEZ-012-P
	20mm	034748	P2B-PSEZ-20M-P
205	1	034701	P2B-PSEZ-100-P
	25mm	034749	P2B-PSEZ-25M-P
206 (PSU)	1-3/16	034702	P2B-PSUEZ-103-P
	1-1/4	034703	P2B-PSUEZ-104S-P
	30mm	034750	P2B-PSUEZ-30M-P
207	1-1/4	034704	P2B-PSEZ-104-P
	1-7/16	034705	P2B-PSEZ-107-P
	35mm	034751	P2B-PSEZ-35M-P
208 (PSB)	1-1/2	034706	P2B-PSBEZ-108-P
	40mm	034752	P2B-PSBEZ-40M-P
210	1-15/16	034709	P2B-PSEZ-115-P
	50mm	034754	P2B-PSEZ-50M-P

Series	Shaft size	Weight lb kg	A	B	C	D		F bolt dia.	G	H	J	L	M
						Min	Max						
204	3/4	0.57	1	5-1/32	1-31/64	3-31/64	3-59/64	3/8	19/32	39/64	2-5/8	1-5/16	1-5/16
	20mm	0.26	25.4	127.8	37.7	93.3	99.6	M10	15.1	15.5	66.7	33.3	33.3
205	1	0.57	1-1/16	5-1/2	1-31/64	3-31/32	4-13/64	3/8	19/32	39/64	2-55/64	1-7/16	1-7/16
	25mm	0.26	27.0	139.7	37.7	100.8	106.8	M10	15.1	15.5	72.6	36.5	36.5
206 (PSU)	1-3/16	0.89	1-3/16	6-5/16	1-25/32	4-39/64	4-57/64	1/2	23/32	45/64	3-11/32	1-11/16	1-11/16
	1-1/4	0.88	1-3/16	6-5/16	1-25/32	4-39/64	4-57/64	1/2	23/32	45/64	3-11/32	1-11/16	1-11/16
	30mm	0.4	30.2	160.3	45.2	116.9	124.2	M12	18.3	17.9	84.9	42.9	42.9
207	1-1/4	1.06	1-5/16	6-35/64	1-7/8	4-13/16	5-1/8	1/2	23/32	23/32	3-57/64	2	1-7/8
	1-7/16	1.01	1-5/16	6-35/64	1-7/8	4-13/16	5-1/8	1/2	23/32	23/32	3-57/64	2	1-7/8
	35mm	0.48	33.3	166.3	47.8	122.2	130.2	M12	18.3	18.3	98.8	50.8	47.6
208 (PSB)	1-1/2	1.27	1-1/2	7-13/64	2-7/64	5-7/64	5-41/64	1/2	7/8	49/64	4-11/64	2	1-15/16
	40mm	0.58	38.1	183.0	53.6	129.6	143.3	M12	22.2	19.4	106.0	50.8	49.2
210	1-15/16	1.67	1-5/8	8-1/16	2-23/64	6	6-9/16	5/8	1.00	59/64	4-9/16	2-9/16	2-1/4
	50mm	0.76	41.3	204.8	59.9	152.4	166.7	M16	25.4	23.4	115.9	65.1	57.2

E-Z Kleen mounted ball bearings

Selection/Dimensions

E-Z Kleen mounted bearings
 PSEZ polymer sleeve polymer
 housed tapped base pillow blocks



Series	Shaft size	Part no.	Description
204	3/4	034710	TB-PSEZ-012-P
	20mm	034755	TB-PSEZ-20M-P*
205	1	034711	TB-PSEZ-100-P
	25mm	034756	TB-PSEZ-25M-P*
206	1-3/16	034712	TB-PSEZ-103-P
	1-1/4	034713	TB-PSEZ-104S-P
	30mm	034757	TB-PSEZ-30M-P*
207	1-1/4	034714	TB-PSEZ-104-P
	1-7/16	034715	TB-PSEZ-107-P
	35mm	034758	TB-PSEZ-35M-P*

* Made to Order

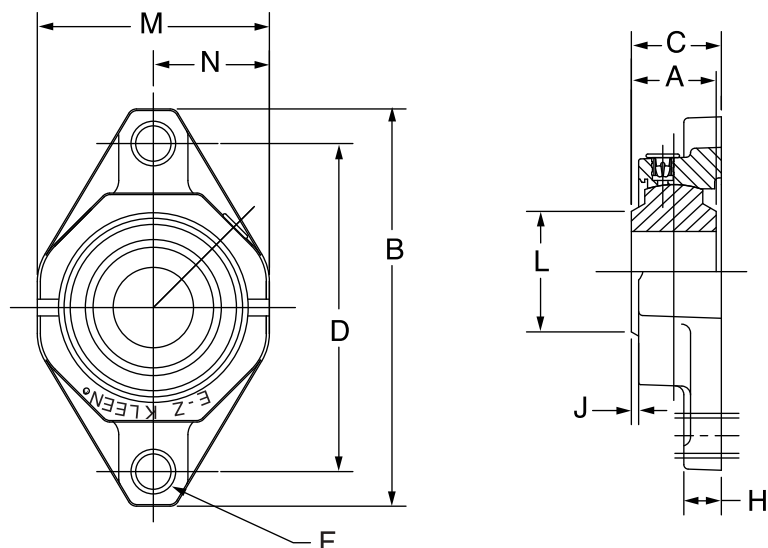
Series	Shaft size	Weight lb kg	A	B	C	D	J	L	M	N thread depth	R bolt hole threads
204	3/4	0.53	1	3-1/4	1-31/64	2	2-21/32	1-5/16	1-5/16	13/32	3/8-16
	20mm	0.24	25.4	82.6	37.7	50.8	67.6	33.3	33.3	10.2	M10x1.5
205	1	0.46	1-1/16	3-1/4	1-1/2	2	2-57/64	1-7/16	1-7/16	13/32	3/8-16
	25mm	0.21	27.0	82.6	38.1	50.8	73.3	36.5	36.5	10.2	M10x1.5
206	1-3/16	0.85	1-3/16	4-3/8	1-37/64	3	3-3/8	1-11/16	1-11/16	29/64	7/16-14
	1-1/4	0.84	1-3/16	4-3/8	1-37/64	3	3-3/8	1-11/16	1-11/16	29/64	7/16-14
	30mm	0.39	30.2	111.1	40.1	76.2	85.9	42.9	42.9	11.4	M10x1.5
207	1-1/4	1.02	1-5/16	4-5/8	1-57/64	3-1/4	3-13/16	2	1-7/8	35/64	1/2-13
	1-7/16	0.97	1-5/16	4-5/8	1-57/64	3-1/4	3-13/16	2	1-7/8	35/64	1/2-13
	35mm	0.46	33.3	117.5	48	82.6	96.8	50.8	47.6	14.0	M12x1.75

* Made to order

E-Z Kleen mounted ball bearings

Selection/Dimensions

E-Z Kleen mounted bearings
PSEZ polymer sleeve polymer
housed 2-bolt flange bearings



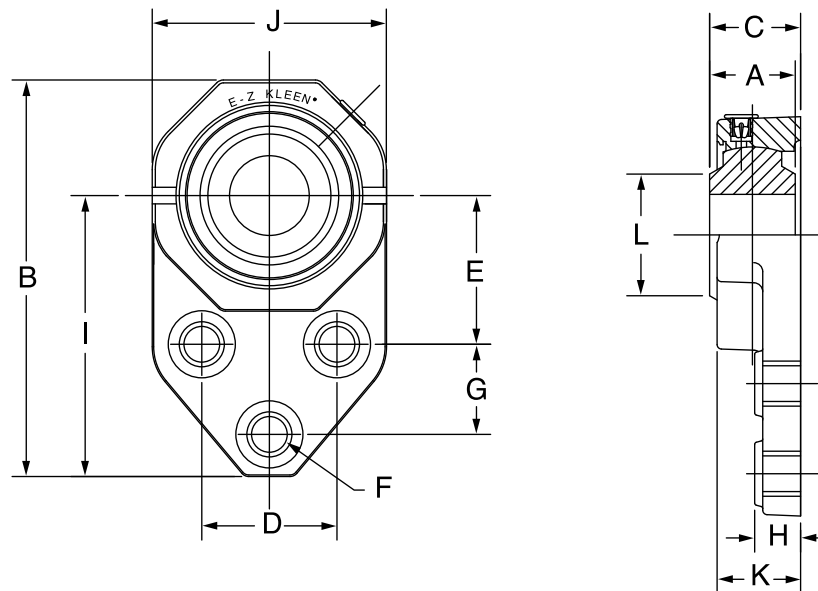
Series	Shaft size	Part no.	Description
204	3/4	034726	F2B-PSEZ-012-P
	20mm	034766	F2B-PSEZ-20M-P
205	1	034727	F2B-PSEZ-100-P
	25mm	034767	F2B-PSEZ-25M-P
206	1-3/6	034728	F2B-PSEZ-103-P
	1-1/4	034729	F2B-PSEZ-104S-P
	30mm	034768	F2B-PSEZ-30M-P
207	1-1/4	034730	F2B-PSEZ-104-P
	1-7/16	034731	F2B-PSEZ-107-P
	35mm	034769	F2B-PSEZ-35M-P
208	1-1/2	034732	F2B-PSEZ-108-P
	40mm	034770	F2B-PSEZ-40M-P
210	1-15/16	034735	F2B-PSEZ-115-P
	50mm	034772	F28-PSEZ-50M-P

Series	Shaft size	Weight lb kg	A	B	C	D	F bolt dia.	H	J	L	M
204	3/4	0.42	1	4-29/64	1-3/16	3-17/32	3/8	17/32	5/64	1-5/16	2-23/64
	20mm	0.19	25.4	113.0	30.4	90.0	M10	13.5	1.9	33.3	59.9
205	1	0.46	1-1/16	4-59/64	1-1/4	3-57/64	3/8	35/64	1/8	1-7/16	2-23/64
	25mm	0.21	27.0	125.0	31.5	99.0	M10	13.9	2.6	36.5	69.1
206	1-3/6	0.62	1-3/16	5-19/32	1-11/32	4-19/32	3/8	35/64	7/64	1-11/16	3-13/64
	1-1/4	0.61	1-3/16	5-19/32	1-11/32	4-19/32	3/8	35/64	7/64	1-11/16	3-13/64
	30mm	0.28	30.2	142.1	34.1	116.5	M10	13.9	2.6	42.9	81.4
207	1-1/4	0.78	1-5/16	6-5/16	1-27/64	5-1/8	1/2	5/8	9/64	2	3-45/64
	1-7/16	0.73	1-5/16	6-5/16	1-27/64	5-1/8	1/2	5/8	9/64	2	3-45/64
	35mm	0.36	33.3	160.3	36.2	130.0	M12	15.9	3.7	50.8	94.1
208	1-1/2	1.01	1-1/2	6-25/32	1-5/8	5-21/32	1/2	43/64	1/4	2	4-1/16
	40mm	0.46	38.1	172.0	41.4	143.5	M12	17.1	4.6	50.8	103.1
210	1-15/16	1.14	1-5/8	7-31/64	1-53/64	6-3/16	5/8	49/64	1/4	2-9/16	4-1/2
	50mm	0.52	41.3	19.1	46.5	157.0	M16	19.4	6.2	65.1	114.3

E-Z Kleen mounted ball bearings

Selection/Dimensions

E-Z Kleen mounted bearings
PSEZ polymer sleeve polymer
housed 3-bolt flange bracket



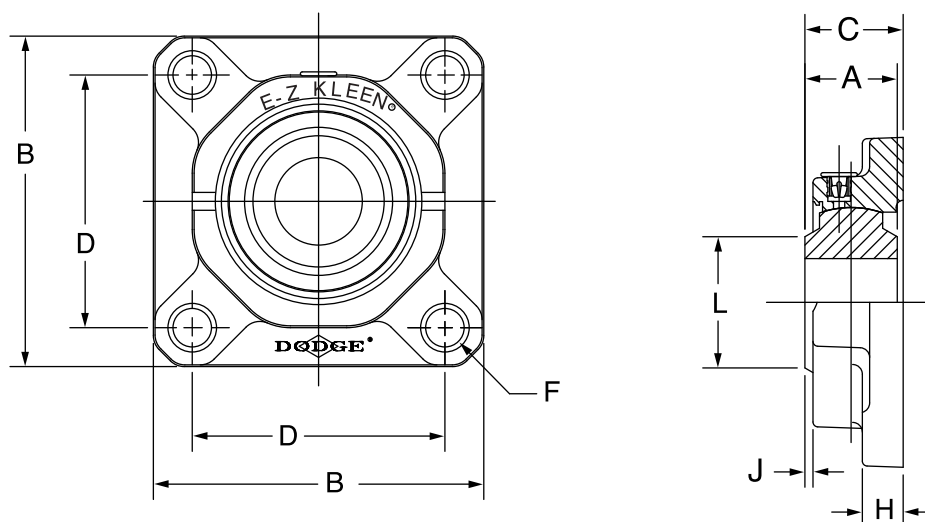
Series	Shaft size	Part no.	Description
204	3/4	034736	FB-PSEZ-012-P
	20mm	034773	FB-PSEZ-20M-P
205	1	034737	FB-PSEZ-100-P
	25mm	034774	FB-PSEZ-25M-P
206	1-3/16	034738	FB-PSEZ-103-P
	1-1/4	034739	FB-PSEZ-104S-P
	30mm	034775	FB-PSEZ-30M-P
207	1-1/4	034740	FB-PSEZ-104-P
	1-7/16	034741	FB-PSEZ-107-P
	35mm	034776	FB-PSEZ-35M-P

Series	Shaft size	Weight lb kg	A	B	C	D	E	F	G	H	I	J	K	L
204	3/4	0.4	1	4-25/64	1-3/16	1-1/2	1-11/16	3/8	7/8	17/32	3-3/16	2-11/32	1-1/8	1-5/16
	20mm	0.18	25.4	111.5	12.7	38.1	42.9	M10	22.2	13.5	81.1	59.4	28.4	33.3
205	1	0.57	1-1/16	4-29/32	1-1/4	1-5/8	1-13/16	3/8	1-1/8	35/64	3-17/32	2-45/64	1-9/64	1-7/16
	25mm	0.23	27	124.7	31.5	41.3	46.1	M10	28.6	13.9	89.8	68.8	29	36.5
206	1-3/16	0.83	1-3/16	5-31/64	1-11/32	1-7/8	2-1/16	3/8	1-1/4	39/64	3-57/64	3-13/64	1-1/4	1-11/16
	1-1/4	0.82	1-3/16	5-31/64	1-11/32	1-7/8	2-1/16	3/8	1-1/4	39/64	3-57/64	3-13/64	1-1/4	1-11/16
	30mm	0.38	30.2	139.2	34.1	47.6	52.4	M10	31.7	15.5	98.6	81.3	31.8	42.9
207	1-1/4	1.25	1-5/16	6-7/64	1-27/64	2	2-3/8	1/2	1-1/4	5/8	4-15/64	3-45/64	1-9/32	2
	1-7/16	1.2	1-5/16	6-7/64	1-27/64	2	2-3/8	1/2	1-1/4	5/8	4-15/64	3-45/64	1-9/32	2
	35mm	0.57	33.3	155.2	36.2	50.8	60.3	M12	31.7	15.9	107.6	94.1	32.5	50.8

E-Z Kleen mounted ball bearings

Selection/Dimensions

E-Z Kleen mounted bearings
PSEZ polymer sleeve polymer
housed 4-bolt flange bearings



Series	Shaft size	Part no.	Description
204	3/4	034716	F4B-PSEZ-012-P
	20mm	034759	F4B-PSEZ-20M-P
205	1	034717	F4B-PSEZ-100-P
	25mm	034760	F4B-PSEZ-25M-P
206	1-3/16	034718	F4B-PSEZ-103-P
	1-1/4	034719	F4B-PSEZ-104S-P
	30mm	034761	F4B-PSEZ-30M-P
207	1-1/4	034720	F4B-PSEZ-104-P
	1-7/16	034721	F4B-PSEZ-107-P
	35mm	034762	F4B-PSEZ-35M-P
208	1-1/2	034722	F4B-PSEZ-108-P
	40mm	034763	F4B-PSEZ-40M-P
210	1-15/16	034725	F4B-PSEZ-115-P
	50mm	034765	F4B-PSEZ-50M-P

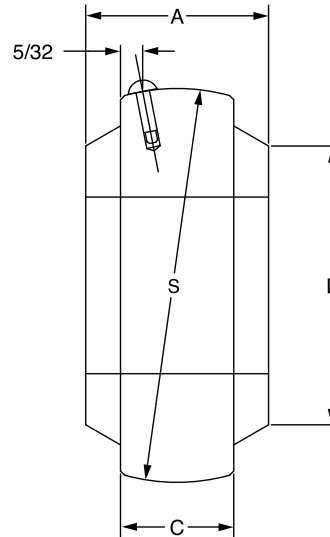
Series	Shaft size	Weight lb kg	A	B	C	D	F bolt dia.	H	J	L
204	3/4	0.48	1	3-3/8	1-7/32	2-1/2	3/8	17/32	5/64	1-5/16
	20mm	0.22	25.4	85.9	31.1	63.5	M10	13.5	1.9	33.3
205	1	0.55	1-1/16	3-3/4	1-17/64	2-3/4	3/8	35/64	1/8	1-7/16
	25mm	0.25	27	95.3	32.3	70.0	M10	13.9	2.6	36.5
206	1-3/16	0.89	1-3/16	4-1/4	1-3/8	3-1/4	3/8	39/64	7/64	1-11/16
	1-1/4	0.88	1-3/16	4-1/4	1-3/8	3-1/4	3/8	39/64	7/64	1-11/16
	30mm	0.40	30.2	108.0	34.9	82.5	M10	15.5	2.6	42.9
207	1-1/4	0.97	1-5/16	4-21/32	1-29/64	3-5/8	1/2	5/8	9/64	2.0
	1-7/16	0.92	1-5/16	4-21/32	1-29/64	3-5/8	1/2	5/8	9/64	2.0
	35mm	0.44	33.3	118.1	37.0	92.0	M12	15.9	3.7	50.8
208	1-1/2	1.23	1-1/2	5-1/8	1-21/32	4.0	1/2	43/64	1/4	2.0
	40mm	0.56	38.1	130.0	42.2	101.5	M12	16.9	4.6	50.8
210	1-15/16	1.35	1-5/8	5-5/8	1-55/64	4-3/8	5/8	49/64	1/4	2-9/16
	50mm	0.61	41.3	142.7	47.3	111.0	M16	19.3	6.4	65.1

E-Z Kleen mounted ball bearings

Selection/Dimensions

E-Z Kleen mounted bearings

PSEZ polymer sleeve bearings inserts



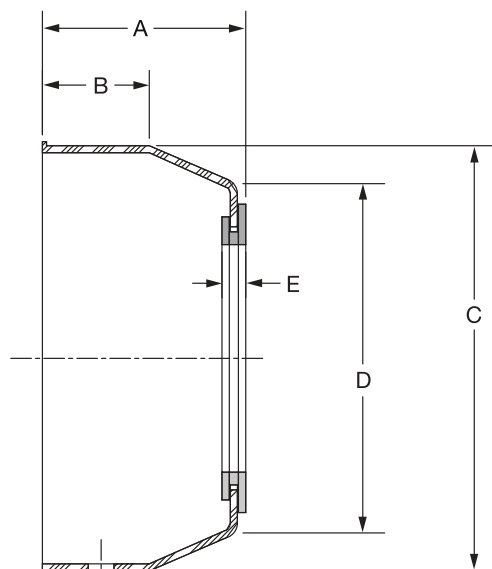
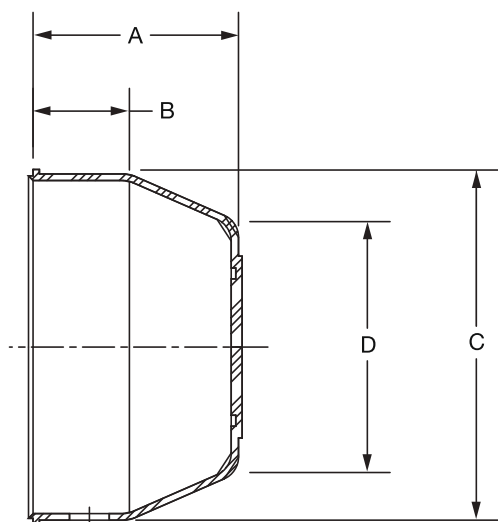
Series	Shaft size	Part no.	Description
204	3/4	032867	INS-PS-012
	20mm	032868	INS-PS-20M
205	1	032872	INS-PS-100
	25mm	032871	INS-PS-25M
206	1-3/16	032875	INS-PS-103
	1-1/4	032876	INS-PS-104S
	30mm	032874	INS-PS-30M
207	1-1/4	032877	INS-PS-104
	1-7/16	032879	INS-PS-107
	35mm	032878	INS-PS-35M
208	1-1/2	032881	INS-PS-108
	40mm	032882	INS-PS-40M
210	1-15/16	032886	INS-PS-115
	50mm	032887	INS-PS-50M

Series	Shaft size	Weight lb kg	A	C	L	S
204	3/4	0.25	1	11/16	1-5/16	1.8465/1.8395
	20mm	0.14	25.4	17.5	33.3	46.9011/46.7233
205	1	0.25	1-1/16	11/16	1-7/16	2.0435/2.0365
	25mm	0.15	27	17.5	36.5	51.9049/51.7271
206	1-3/16	0.36	1-3/16	13/16	1-11/16	2.437/2.428
	1-1/4	0.35	1-3/16	13/16	1-11/16	2.437/2.428
	30mm	0.16	30.2	20.6	42.9	61.8988/61.6712
207	1-1/4	0.40	1-5/16	13/16	2	2.829/2.820
	1-7/16	0.35	1-5/16	13/16	2	2.829/2.820
	35mm	0.18	33.3	20.6	50.8	71.8566/71.6280
208	1-1/2	0.46	1-1/2	7/8	2	3.144/3.135
	40mm	0.21	38.1	22.2	50.8	79.8576/79.6790
210	1-15/16	0.50	1-5/8	15/16	2-9/16	3.5375/3.5275
	50mm	0.23	41.3	23.8	65.1	89.8525/89.5985

E-Z Kleen mounted ball bearings

Accessories

E-Z Kleen/Ultra Kleen mounted bearings
polymer and stainless steel
housed snap on end covers



Series	For shaft size	Closed end covers part number	Description	A	B	C	D	Open end covers part number	Description	A	B	C	D	E
204	3/4	128960	ECC-EZ-204	1-1/8	17/32	1-29/32	1-3/8	128974	ECO-EZ-012	1-3/16	17/32	1-29/32	1-3/8	3/16
		128960	ECC-EZ-204	1-1/8	17/32	1-29/32	1-3/8	128974	ECO-EZ-012	1-3/16	17/32	1-29/32	1-3/8	3/16
	20mm	128960	ECC-EZ-204	28.7	13.5	48.4	35.1	128991	ECO-EZ-20M	30.2	13.5	48.4	35.1	4.9
205	1	128961	ECC-EZ-205	3/16	17/32	2-11/64	1-39/64	128975	ECO-EZ-100	1-1/4	17/32	2-11/64	1-39/64	3/16
		128961	ECC-EZ-205	3/16	17/32	2-11/64	1-39/64	128975	ECO-EZ-100	1-1/4	17/32	2-11/64	1-39/64	3/16
	25mm	128961	ECC-EZ-205	30.2	13.5	55.1	40.9	128992	ECO-EZ-25M	31.8	13.5	55.1	40.9	4.9
206	1-3/16	128962	ECC-EZ-20	1-21/64	9/16	2-1/2	31/32	128976	ECO-EZ-103	1-25/64	9/16	2-1/2	31/32	3/16
	1-1/4	128962	ECC-EZ-206	1-21/64	9/16	2-1/2	31/32	128989	ECO-EZ-104S	1-25/64	9/16	2-1/2	31/32	3/16
	30mm	128962	ECC-EZ-20	33.8	14.2	63.5	50.0	128993	ECO-EZ-30M	35.3	14.2	63.5	50.0	4.9
207	1-1/4	128963	ECC-EZ-207	1-15/32	11/16	2-29/32	2-5/16	128977	ECO-EZ-104	1-17/32	11/16	2-29/32	2-5/16	3/16
	1-7/16	128963	ECC-EZ-207	1-15/32	11/16	2-29/32	2-5/16	128990	ECO-EZ-107	1-17/32	11/16	2-29/32	2-5/16	3/16
	35mm	128963	ECC-EZ-207	37.3	17.5	73.9	58.9	128994	ECO-EZ-35M	38.9	17.5	73.9	58.9	4.9
208	1-1/2	128964	ECC-EZ-208	1-35/64	11/16	3-5/16	2-49/64	128978	ECO-EZ-108	1-19/32	11/16	3-5/16	2-49/64	13/64
		128964	ECC-EZ-208	1-35/64	11/16	3-5/16	2-49/64	128978	ECO-EZ-108	1-19/32	11/16	3-5/16	2-49/64	13/64
	40mm	128964	ECC-EZ-208	39.1	17.5	84.1	70.1	128996	ECO-EZ-40M	40.6	17.5	84.1	70.1	5.1
209	1-11/16	128965	ECC-EZ-209	1-19/32	23/32	3-1/2	2-7/8	@	ECO-EZ-111	1-21/32	23/32	3-1/2	2-7/8	13/64
		128965	ECC-EZ-209	1-19/32	23/32	3-1/2	2-7/8	@	ECO-EZ-111	1-21/32	23/32	3-1/2	2-7/8	13/64
	45mm	128965	ECC-EZ-209	40.4	18.3	88.9	72.9	@	ECO-EZ-45M	41.9	18.3	88.9	72.9	5.1
210	1-15/16	128966	ECC-EZ-21	1-21/32	29/32	3-5/8	3	128980	ECO-EZ-115	1-23/32	29/32	3-5/8	3	13/64
	2	128966	ECC-EZ-210	1-21/32	29/32	3-5/8	3	128980	ECO-EZ-115	1-23/32	29/32	3-5/8	3	13/64
	50mm	128966	ECC-EZ-21	42.2	23.1	91.4	76.2	128997	ECO-EZ-50M	43.7	23.1	91.4	76.2	5.1

@ Assembled to order

Extreme Duty mounted ball bearings

Contents

Extreme Duty set screw mounted ball bearings

3-2 Features / Benefits

3-3 Easy selection

3-5 Selection

Selection/Dimensions

3-8 Pillow blocks

3-17 Tapped base pillow blocks

3-18 2 bolt flange bearings

3-20 4 bolt flange bearings

3-23 Piloted flange bearings

3-25 Narrow slot take-up bearings

3-30 Wide slot take-up bearings

3-38 Inserts

3-41 Accessories

INDEX-1 Part number index

INDEX-69 Key word index

Extreme Duty mounted ball bearings

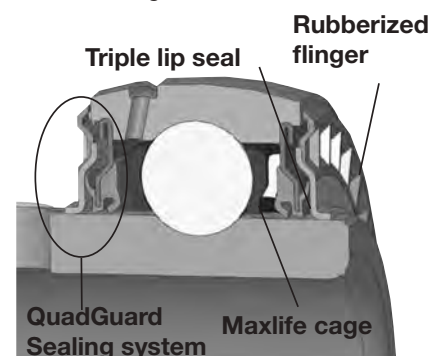
Features/Benefits

Extreme Duty set screw mounted ball bearings

The Dodge SC/SCMED Extreme Duty ball bearing offers extended life in the toughest industrial applications. Incorporating patented Dodge-only features such as the QuadGuard sealing system and the Maxlife ball cage, the Dodge SCED/SCMED bearing outperforms the competition in demanding environments where increasing equipment uptime is critical to success. Extreme conditions require highly-engineered products that will last. The Dodge Extreme Duty ball bearing is up to the challenge.

Insert: The Dodge Extreme Duty ball bearing incorporates 65° degree set screws that provide maximum locking force without compromising the strength of the inner ring. Additional shaft attachment methods are available upon request. The design also includes an anti-rotation pin that prevents the insert from rotating in the housing under load which causes premature failure.

Sealing: The SCED uses the patented QuadGuard sealing system that offers superior protection in tough environments where there is significant risk of contamination. Industries such as agriculture, aggregate, cement, paper, wood products and metals require a sealing system that will extend the life of the bearing in harsh conditions. There are two major components to the QuadGuard design. The first is a unique triple-lip seal design that maximizes sealing without sacrificing the speed rating compared to a single lip design. The Dodge patented triple-lip design uses a mechanically retained seal where there are two contact points on the inner ring and one that rides against the flinger surface. Three points of contact maximize the ability of the bearing to guard against contamination and retain lubricants. The QuadGuard seal also incorporates the industry's first and only patented rubberized flinger. This flinger uses molded rubber to provide additional protection from contaminants entering the bearing. The baffle design of the rubber on the external surface of the flinger enhances the removal of liquid as it rotates. Grease chambers on the internal surface prevent lubricants from exiting the bearing. This superior design will increase service life in dirty environments thus leading to extended up-time for our customers. When used in conjunction with one another, the triple-lip seal and rubberized flinger create a sealing system that is perfect for demanding environments.



Retainer: The Maxlife Cage is the product of extensive research and development in retainer technology and industry leading engineering. The cage consists of a two-piece design that creates a grease compartment around each of the rolling elements. These compartments allow balls to be constantly in contact with grease, so a good oil film will always exist to prevent wear and minimize friction and heat. The Maxlife cage reduces the relative motion between the components and the grease which results in lower operating temperatures and extended life. The compartmental construction of the cage tends to hold in the grease and prevent it from being washed out in extremely wet or dirty conditions. This feature allows for extended life and the ability for the bearing to be relubricated with less frequency than standard designs.

Lubrication:

Synthetic Grease

- SHC 220 PM synthetic grease standard
- Extends grease life. Less maintenance required.
- Cooler operating temperatures
- Extends life in wet applications

Housings:

- Cast Iron
 - Pillow blocks
 - 2 and 4 bolt flange bearings
 - Tapped-base pillow blocks
 - Piloted flange
 - Wide and narrow slot take-up bearings



Maxlife cage

End-Covers:

Dodge Extreme Duty ball bearings contain a machined groove in the housing to accommodate a snap-on style polymer end-cover as a standard feature. The end-cover provides additional protection from the environment and creates a safer working environment for employees maintaining equipment. The snap-on style end-cover incorporates an additional lip on the mounting surface for a more rigid fit within the housing. The design is more durable than a bolt-on style that uses the grease fitting to secure the cover in place and can be easily knocked off the bearing housings. Closed and open end-covers are available.



Note: Instruction manuals and drawings for Dodge bearings are available on www.Dodge-pt.com

Extreme Duty mounted ball bearings

Easy selection

Selection of Extreme Duty set screw mounted ball bearings

Dodge Extreme Duty mounted ball bearings are primarily designed for radial loading. However, they have the capacity to carry thrust loads and combined radial/thrust loads. The maximum recommended load which can be applied is limited by various components in the system, such as bearing, housing, shaft attachments, speed and life requirements as listed in this catalog and the instruction manual that accompanies each bearing. Dodge Extreme Duty ball bearings have been applied successfully when these limits have been exceeded under controlled operating conditions. Contact Dodge Engineering for applications which exceed these recommendations.

Select a bearing from the Selection Table that has a radial load rating at the operating speed equal to or greater than the calculated Equivalent Radial Load for a desired L_{10} life. This simple method is all that is required for the majority of general applications and provides for occasional average shock loads.

L_{10} Hours Life-the life which may be expected for at least 90% of a given group of bearings operating under identical conditions.

Heavy Service-For heavy shock loads, frequent shock loads or severe vibrations, add up to 50% (according to severity of conditions) to the Equivalent Radial Load to obtain a Modified Equivalent Radial Load. Consult Application Engineering for additional selection assistance.

A maximum thrust load value of $C/10$ is recommended as a guide for general applications and will give adequate L_{10} life. If the thrust load exceeds this limit, it is advisable to use auxiliary thrust carrying devices, such as a shaft shoulder, snap ring, or a thrust collar. Where substantial radial load pulls the housing away from the mounting base, both the hold-down bolts and housing must be of adequate strength. Auxiliary load carrying devices, such as shear bars, are advisable for side or end-loading of pillow blocks and radial loads for flange units.

To determine the L_{10} hours life for loads and RPMs not listed use the following equation:

$$L_{10} = \left(\frac{C}{P}\right)^3 \times \left(\frac{16,667}{n}\right)$$

Where:

L_{10} = Life, hours

C = Dynamic Capacity, lb or N

P = Equivalent Radial Load, lb or N

n = Revolutions per minute

When the load on a ball bearing is solely a radial load with no thrust (axial) load, the Equivalent Radial Load (P) is equal to the actual radial load. However, when a thrust (axial) load is applied, the radial and thrust loads applied must be converted into an Equivalent Radial Load. Use X (radial factor) and Y (thrust factor) from Table 1 to convert the actual applied thrust and radial loads to an Equivalent Radial Load which has the same effect on the life of a bearing as a radial load of this magnitude.

$$P = XF_R + YF_A$$

Where:

P = Equivalent Radial Load, lb

F_R = Radial load, lb

F_A = Thrust load, lb

e = Thrust load to radial load factor (Table 1)

X = Radial load factor (Table 1)

Y = Thrust Factor (Table 1)

C_0 = Basic static capacity (Selection Table)

To find X and Y, first calculate F_A/C_0 to determine e. Calculate F_A/F_R and compare to e to determine the X and Y factors to use from Table 1.

Shaft tolerances		
Normal shaft size	Commercial shaft tolerance (Inches)	Recommended shaft tolerances Set screw ball bearing (Inches)
Up to 1-1/2.	+0.000 -0.002	+0.0000 -0.0005
Over 1-1/2. to 2-1/2.	+0.000 -0.003	+0.0000 -0.0010
Over 2-1/2. to 4.	+0.000 -0.004	+0.0000 -0.0010

Note: Bearing analysis program .BEST. is available on www.ptwizard.com

Extreme Duty mounted ball bearings

Easy selection

Selection of Extreme Duty set screw mounted ball bearings

Table 1

F_A/C_0	e	Radial/Thrust factors			
		If F_A/F_R is equal to or less than e		If F_A/F_R is greater than e	
		$F_A/F_R \leq e$		$F_A/F_R > e$	
		X	Y	X	Y
0.014	0.19	1	0	0.56	2.30
0.021	0.21	1	0	0.56	2.15
0.028	0.22	1	0	0.56	1.99
0.042	0.24	1	0	0.56	1.85
0.056	0.26	1	0	0.56	1.71
0.070	0.27	1	0	0.56	1.63
0.084	0.28	1	0	0.56	1.55
0.110	0.30	1	0	0.56	1.45
0.170	0.34	1	0	0.56	1.31
0.280	0.38	1	0	0.56	1.15
0.420	0.42	1	0	0.56	1.04
0.560	0.44	1	0	0.56	1.00

Lubrication- Dodge ball bearings are lubricated at the factory and are ready to run. The bearings are initially lubricated with a lithium complex grease and should be relubricated with the same or some equivalent. For high speeds, high loads, extreme temperatures and other abnormal operating conditions, special greases may be required. Contact Dodge Application Engineering for recommendations on these types of applications.

Misalignment - Dodge ball bearings are designed to allow a maximum of $\pm 2^\circ$ static misalignment. These bearings are not suitable for dynamic misalignment. To ensure good alignment, mounting surfaces must be checked for flatness and must lie in the same plane. When tightening base bolts, each bolt should be alternately tightening in incremental torque values until full torque is achieved to prevent the angular shifting of the pillow block that occurs when one bolt is tightened to its full torque. Shimming may be required to minimize misalignment.

Substitute all known values into the equivalent radial load equation. The equivalent radial load (P) thus determined can be used in the L_{10} life formula or compared to the allowable equivalent radial load rating desired in the expanded rating chart to select a bearing (Selection table).

If calculated value of P is less than F_R , use $P=F_R$.

Note: Bearing analysis program .BEST. is available on www.ptwizard.com

Extreme Duty mounted ball bearings

Selection

Set screw ball bearings

Recommended torque														
Set screws		D-Lok						Mounting bolts						
Set screw size	Key hex across flats	◆ Recommended torque			Corrosion resistant stainless steel	Cap screw size	Recom. torque	E-Z Kleen recom. torque	Metal housings		E-Z Kleen housed bearings			
		Standard ball bearing insert		Bolt size					Recom. dry torque (Grade 2)	2-bolt PB, 2 & 4 bolt fig. and fig. brackets		Tapped base PB		
		Min	Max							Bolt size	Torque ①	Bolt size	Torque ②	
(in.)	(in.)	(in.-lb)	(in.-lb)	(in.-lb)	(in.)	(in.-lb)	(in.-lb)	(in.)	(in.-lb)	(in.)	(in.-lb)	(in.)	(in.-lb)	
#10	3/32	28	33	25	#8-32	58	46	3/8-16	240	3/8-16	225	3/8-16	175	
1/4	1/8	66	80	60	#10-32	90	72	7/16-14	384	7/16-14	350	7/16-14	350	
5/16	5/32	126	156	117	1/4-28	180	144	1/2-13	600	1/2-13	500	1/2-13	400	
3/8	3/16	228	275	206	5/16-24	400	320	5/8-11	1200	9/16-12	650			
7/16	7/32	342	428	321	3/8-24	750	600	3/4-10	1950	5/8-11	1000			
								7/8-9	2890					
(mm)	(mm)	(N-m)	(N-m)	(N-m)	(mm)	(N-m)	(N-m)	(mm)	(N-m)	(mm)	(N-m)			
M5	2.5	3.2	3.7	2.8	M4	585	4.68	M10	29	M8	15	① Torque for Austenitic (18-8) Stainless		
M6	3	6.2	7.7	5.8	M5	10.75	8.6	M12	50	M10	25	② Max. torque values published. Do not exceed		
M8	4	14.2	17.8	13.4	M6	20.5	16.4	M16	124	M12	50			
M10	5	26	31	23	M8	45	36	M20	238	M14	75			
M12	6	46	57	43				M22	322	M18	125			

Lubrication

High Speed Operation - In the higher speed ranges, too much grease will cause over-heating. The amount of grease that the bearing will take for a particular high speed application can only be determined by experience. If excess grease in the bearing causes overheating, it will be necessary to remove grease fitting to permit excess grease to escape. The bearing has been greased at the factory and is ready to run. When establishing a relubrication schedule, note that a small amount of grease at frequent intervals is preferable to a large amount at infrequent intervals.

◆ **Note:** Dodge does not recommend the use of oils or locking agents on set screw threads. However, if utilized, the minimum installation torque values should be followed.

Lubrication guide								
Use a no. 2 lithium complex base grease or equivalent*								
Hours run per day	Suggested lubrication period in weeks							
	1 to 250 RPM	251 to 500 RPM	501 to 750 RPM	751 to 1000 RPM	1001 to 1500 RPM	1501 to 2000 RPM	2001 to 2500 RPM	2501 to 3000 RPM
8	12	12	10	7	5	4	3	2
16	12	7	5	4	2	2	1	1
24	10	5	3	2	1	1	1	1

* For E-Z Kleen and Ultra Kleen series bearings, use an aluminum complex base grease.

Lubrication recommendations are intended for standard products applied in general operating conditions. For modified products, high temperature applications, and other anomalous applications contact product engineering at 864-284-5700.

Extreme Duty mounted ball bearings

Selection

Extreme Duty SCED/SCMED

Ring size	Shaft size		Dynamic capacity C _r , lb	Static capacity C ₀ , lb	L ₁₀ life - hours	Allowable equivalent radial load rating (lb) at various RPM*											
	SCED	SCMED				50	150	250	500	750	1000	1250	1500	1600	1750	2000	2250
204	1/2		2899	1482	20000	741	513	433	344	300	273	253	238	233	226	217	208
	5/8		2899	1482	30000	647	449	378	300	262	238	221	208	204	198	189	182
	3/4		2899	1482	40000	588	408	344	273	238	217	201	189	185	180	172	165
	13/16		2899	1482	60000	513	356	300	238	208	189	176	165	162	157	150	144
	20mm		2899	1482	100000	433	300	253	201	176	160	148	139	136	132	127	122
205	7/8		3146	1769	20000	804	557	470	373	326	296	275	259	253	246	235	226
	15/16		3146	1769	30000	702	487	411	326	285	259	240	226	221	215	205	17
	1		3146	1769	40000	638	442	373	296	259	235	218	205	201	195	187	179
	25mm		3146	1769	60000	557	386	326	259	226	205	191	179	176	170	163	157
			3146	1769	100000	470	326	275	218	191	173	161	151	148	144	137	132
206	1-1/16	1	4368	2538	20000	1116	774	652	518	452	411	382	359	351	341	326	314
	1-1/8	25mm	4368	2538	30000	975	676	570	452	395	359	333	314	307	298	285	274
	1-3/16		4368	2538	40000	886	614	518	411	359	326	303	285	279	271	259	249
	1-1/4		4368	2538	60000	774	536	452	359	314	285	265	249	244	237	226	217
	30mm		4368	2538	100000	652	452	382	303	265	240	223	210	206	199	191	183
207	1-1/4	1-3/16	5759	3461	20000	1471	1020	860	683	596	542	503	473	463	450	430	414
	1-5/16	1-1/4	5759	3461	30000	1285	891	752	596	521	473	439	414	405	393	376	361
	1-3/8	30mm	5759	3461	40000	1168	810	683	542	473	430	399	376	368	357	341	328
	1-7/16		5759	3461	60000	1020	707	596	473	414	376	349	328	321	312	298	287
	35mm		5759	3461	100000	860	596	503	399	349	317	294	277	271	263	252	242
208	1-1/2	1-7/16	7332	4475	20000	1873	1299	1095	869	759	690	641	603	590	573	548	527
	1-5/8	1-1/2♣	7332	4475	30000	1636	1134	957	759	663	603	560	527	515	500	478	460
	40mm	35mm	7332	4475	40000	1487	1031	869	690	603	548	508	478	468	454	435	418
			7332	4475	60000	1299	900	759	603	527	478	444	418	409	397	380	365
			7332	4475	100000	1095	759	641	508	444	403	375	352	345	335	320	308
209	1-5/8	1-1/2	7891	4906	20000	2016	1398	1179	936	817	743	689	649	635	616	589	567
	1-11/16	40mm	7891	4906	30000	1761	1221	1030	817	714	649	602	567	555	538	515	495
	1-3/4		7891	4906	40000	1600	1109	936	743	649	589	547	515	504	489	468	450
	45mm		7891	4906	60000	1398	969	817	649	567	515	478	450	440	427	409	393
			7891	4906	100000	1179	817	689	547	478	434	403	379	371	360	345	331
210	1-15/16	1-11/16	7891	5213	20000	2016	1398	1179	936	817	743	689	649	635	616	589	567
	2	1-3/4	7891	5213	30000	1761	1221	1030	817	714	649	602	567	555	538	515	495
	50mm	45mm	7891	5213	40000	1600	1109	936	743	649	589	547	515	504	489	468	450
			7891	5213	60000	1398	969	817	649	567	515	478	450	440	427	409	393
			7891	5213	100000	1179	817	689	547	478	434	403	379	371	360	345	331
211	2	1-15/16	9755	6588	20000	2492	1728	1457	1157	1010	918	852	802	785	762	729	701
	2-3/16	2	9755	6588	30000	2177	1509	1273	1010	883	802	744	701	686	665	636	612
	2-1/4	50mm	9755	6588	40000	1978	1371	1157	918	802	729	676	636	623	605	578	556
	55mm		9755	6588	60000	1728	1198	1010	802	701	636	591	556	544	528	505	486
			9755	6588	100000	1457	1010	852	676	591	537	498	469	459	445	426	410
212	2-1/4	2-3/16	11791	8100	20000	3012	2088	1761	1398	1221	1110	1030	969	949	921	881	847
	2-7/16	2-1/4	11791	8100	30000	2631	1824	1539	1221	1067	969	900	847	829	804	769	740
	60mm	55mm	11791	8100	40000	2391	1657	1398	1110	969	881	818	769	753	731	699	672
			11791	8100	60000	2088	1448	1221	969	847	769	714	672	658	638	611	587
			11791	8100	100000	1761	1221	1030	818	714	649	602	567	555	538	515	495
214	2-11/16	2-7/16	13995	9838	20000	3575	2479	2091	1659	1450	1317	1223	1150	1126	1093	1045	1005
	70mm	2-1/2	13995	9838	30000	3123	2165	1826	1450	1266	1150	1068	1005	984	955	913	878
		65mm	13995	9838	40000	2837	1967	1659	1317	1150	1045	970	913	894	867	830	798
			13995	9838	60000	2479	1719	1450	1150	1005	913	848	798	781	758	725	697
			13995	9838	100000	2091	1450	1223	970	848	770	715	673	658	639	611	588
215	2-15/16	2-11/16	14872	11108	20000	3799	2634	2222	1763	1540	1400	1299	1223	1197	1161	1111	1068
	75mm	70mm	14872	11108	30000	3319	2301	1941	1540	1346	1223	1135	1068	1045	1015	970	933
			14872	11108	40000	3015	2091	1763	1400	1223	1111	1031	970	950	922	882	848
			14872	11108	60000	2634	1826	1540	1223	1068	970	901	848	830	805	770	741
			14872	11108	100000	2222	1540	1299	1031	901	818	760	715	700	679	650	625
216	2-15/16		17407	13102	20000	4446	3083	2600	2064	1803	1638	1521	1431	1401	1359	1300	
	3		17407	13102	30000	3884	2693	2272	1803	1575	1431	1328	1250	1223	1187	1136	
	75mm		17407	13102	40000	3529	2447	2064	1638	1431	1300	1207	1136	1112	1079	1032	
			17407	13102	60000	3083	2138	1803	1431	1250	1136	1054	992	971	942	901	
			17407	13102	100000	2600	1803	1521	1207	1054	958	889	837	819	795	760	
218	3-7/16		21451	16641	20000	5479	3799	3204	2543	2222	2019	1874	1763	1726			
	3-1/2				30000	4787	3319	2799	2222	1941	1763	1637	1541	1508			
	85mm				40000	4349	3015	2543	2019	1763	1602	1487	1400	1370			
					60000	3799	2634	2222	1763	1541	1400	1299	1223	1197			
					100000	3204	2222	1874	1487	1299	1181	1096	1031	1009			

* Slight interference fit required when operating on the right of the heavy line or in the shaded area.

♣ Piloted flange only

Extreme Duty mounted ball bearings

Selection

Extreme Duty SCED/SCMED

Ring size	Shaft size		Dynamic capacity C, lb	Static capacity C ₀ , lb	L ₁₀ life - hours	Allowable equivalent radial load rating (lb) at various RPM*											
	SCED	SCMED				2500	2750	3000	3250	3500	3600	4000	4500	5000	5250	5500	6000
204	1/2		2899	1482	20000	201	195	189	184	180	178	172	165	160	157	155	150
	5/8		2899	1482	30000	176	170	165	161	157	155	150	144	139	137	135	131
	3/4		2899	1482	40000	160	155	150	146	143	141	136	131	127	125	123	119
	13/16		2899	1482	60000	139	135	131	128	125	123	119	115	111	109	107	104
	20mm		2899	1482	100000	118	114	111	108	105	104	101	97	93	92	90	88
205	7/8		3146	1769	20000	218	211	205	200	195	193	187	179	173	170	168	163
	15/16		3146	1769	30000	191	185	179	175	170	169	163	157	151	149	147	142
	1		3146	1769	40000	173	168	163	159	155	153	148	142	137	135	133	129
	25mm		3146	1769	60000	151	147	142	139	135	134	129	124	120	118	116	113
			3146	1769	100000	128	124	120	117	114	113	109	105	101	100	98	95
206	1-1/16	1	4368	2538	20000	303	293	285	278	271	268	259	249	240	237		
	1-1/8	25mm	4368	2538	30000	265	256	249	242	237	234	226	217	210	207		
	1-3/16		4368	2538	40000	240	233	226	220	215	213	206	198	191	188		
	1-1/4		4368	2538	60000	210	203	198	192	188	186	180	173	167	164		
	30mm		4368	2538	100000	177	172	167	162	158	157	151	146	141	138		
207	1-1/4	1-3/16	5759	3461	20000	399	387	376	366	357		354	341	328			
	1-5/16	1-1/4	5759	3461	30000	349	338	328	320	312		309	298	287			
	1-3/8	30mm	5759	3461	40000	317	307	298	290	283		281	271	261			
	1-7/16		5759	3461	60000	277	268	261	254	247		245	237	228			
	35mm		5759	3461	100000	234	226	220	214	209		207	200	192			
208	1-1/2	1-7/16	7332	4475	20000	508	492	478	466	454		450	435				
	1-5/8	1-1/2♣	7332	4475	30000	444	430	418	407	397		393	380				
	40mm	35mm	7332	4475	40000	403	391	380	370	361		357	345				
			7332	4475	60000	352	341	332	323	315		312	301				
			7332	4475	100000	297	288	280	272	266		263	254				
209	1-5/8	1-1/2	7891	4906	20000	547	530	515	501	489		485					
	1-11/16	40mm	7891	4906	30000	478	463	450	438	427		423					
	1-3/4		7891	4906	40000	434	421	409	398	388		385					
	45mm		7891	4906	60000	379	367	357	348	339		336					
			7891	4906	100000	320	310	301	293	286		283					
210	1-15/16	1-11/16	7891	5213	20000	547	530	515	501	489		485					
	2	1-3/4	7891	5213	30000	478	463	450	438	427		423					
	50mm	45mm	7891	5213	40000	434	421	409	398	388		385					
			7891	5213	60000	379	367	357	348	339		336					
			7891	5213	100000	320	310	301	293	286		283					
211	2	1-15/16	9755	6588	20000	676	655	636	620								
	2-3/16	2	9755	6588	30000	591	572	556	541								
	2-1/4	50mm	9755	6588	40000	537	520	505	492								
	55mm		9755	6588	60000	469	454	441	430								
			9755	6588	100000	396	383	372	362								
212	2-1/4	2-3/16	11791	8100	20000	818	792										
	2-7/16	2-1/4	11791	8100	30000	714	692										
	60mm	55mm	11791	8100	40000	649	629										
			11791	8100	60000	567	549										
			11791	8100	100000	478	463										
214	2-11/16	2-7/16	13995	9838	20000	970											
	70mm	2-1/2	13995	9838	30000	848											
		65mm	13995	9838	40000	770											
			13995	9838	60000	673											
			13995	9838	100000	567											
215	2-15/16	2-11/16	14872	11108	20000	1031											
	75mm	70mm	14872	11108	30000	901											
			14872	11108	40000	818											
			14872	11108	60000	715											
			14872	11108	100000	603											
216	2-15/16		17407	13102	20000												
	3		17407	13102	30000												
	75mm		17407	13102	40000												
			17407	13102	60000												
			17407	13102	100000												
218	3-7/16		21451	16641	20000												
	3-1/2		21451	16641	30000												
	85mm		21451	16641	40000												
			21451	16641	60000												
			21451	16641	100000												

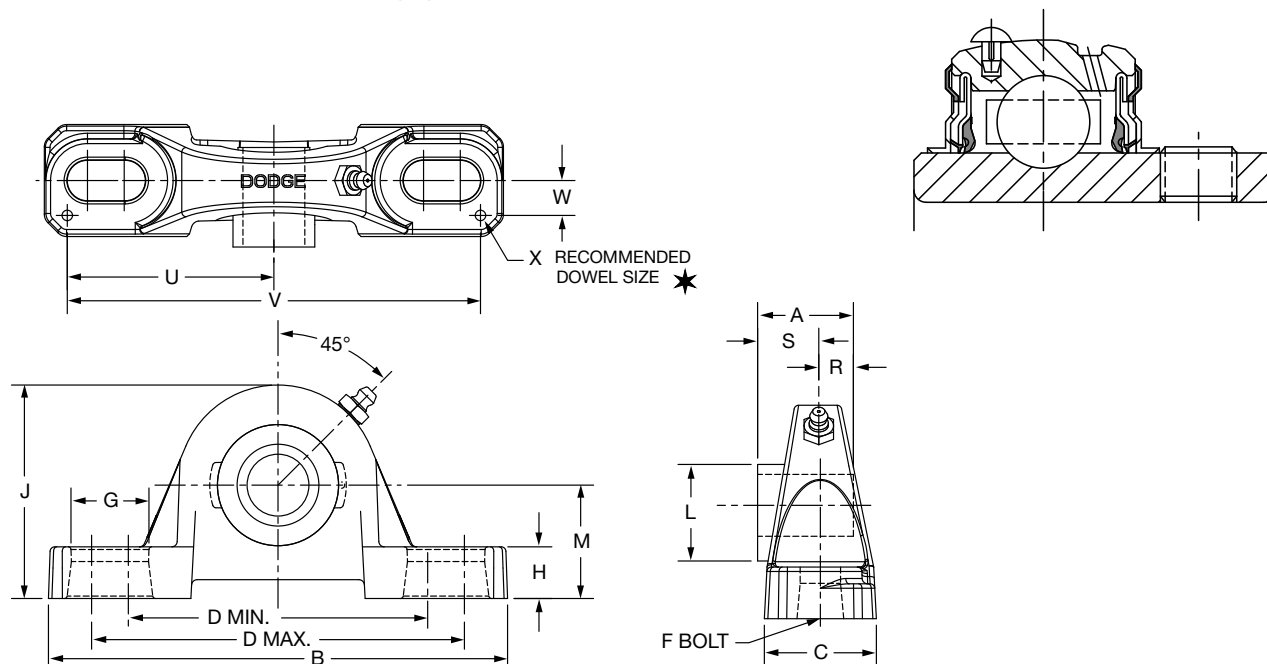
* Slight interference fit required when operating on the right of the heavy line or in the shaded area.

♣ Piloted flange only

Extreme Duty mounted ball bearings

Selection/Dimensions

Extreme Duty set screw mounted ball bearings
SCED and SCUED normal duty pillow blocks



Series	Shaft size	Standard part no.	Description
204	1/2	@	P2B-SCED-008L
	5/8	075546	P2B-SCED-010L
	3/4	076000	P2B-SCED-012
	20mm	076220	P2B-SCED-20M
205	7/8	@	P2B-SCED-014
	15/16	@	P2B-SCED-015
	1	076001	P2B-SCED-100
	25mm	076221	P2B-SCED-25M
206	1-1/16	@	P2B-SCED-101
	1-1/8	076002	P2B-SCED-102
	1-3/16	076003	P2B-SCED-103
	1-1/4	076004	P2B-SCED-104S
	30mm	076222	P2B-SCED-30M
206 (SCU)	1-1/16	@	P2B-SCUED-101
	1-1/8	@	P2B-SCUED-102
	1-3/16	@	P2B-SCUED-103
	1-1/4	@	P2B-SCUED-104S
	30mm	@	P2B-SCUED-30M
207	1-1/4	076005	P2B-SCED-104
	1-5/16	@	P2B-SCED-105
	1-3/8	076006	P2B-SCED-106
	1-7/16	076007	P2B-SCED-107
	35mm	076223	P2B-SCED-35M

@ Assembled to order.

Extreme Duty mounted ball bearings

Selection/Dimensions

Extreme Duty set screw mounted ball bearings
SCED and SCUED normal duty pillow blocks

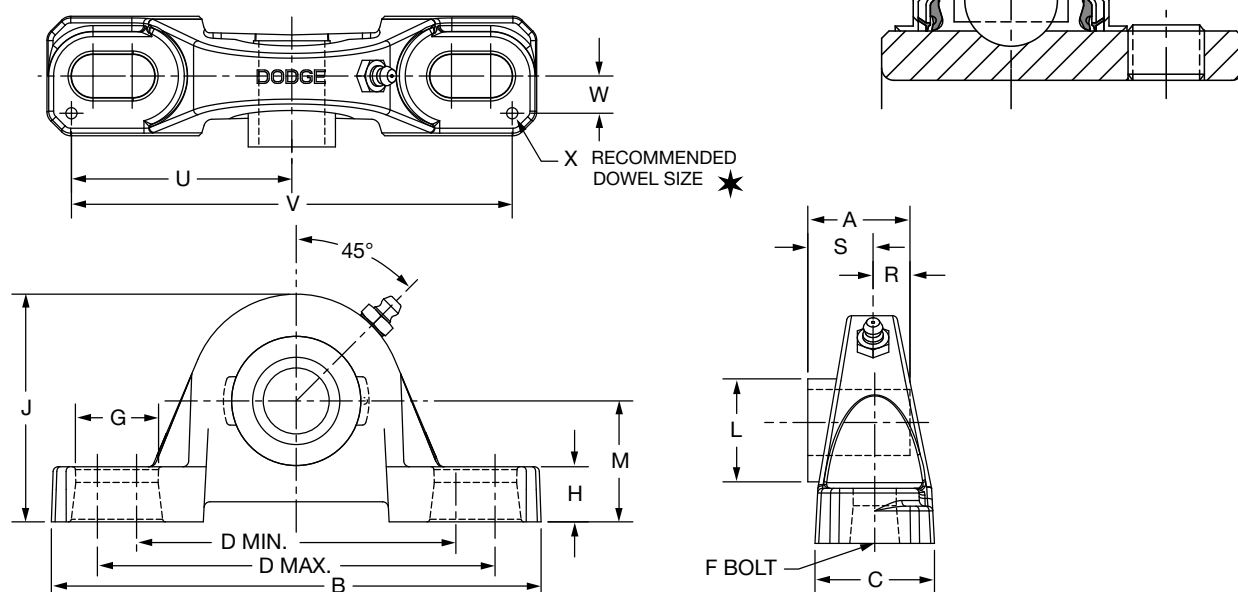
Series	Shaft size	Weight lb kg	A	B	C	D		F bolt dia.	G	H
						Min.	Max.			
204	1/2	1.6	1.23	5.25	1.34	3.38	4.19	3/8	0.85	0.53
	5/8	1.5	1.23	5.25	1.34	3.38	4.19	3/8	0.85	0.53
	3/4	1.4	1.23	5.25	1.34	3.38	4.19	3/8	0.85	0.53
	20mm	0.7	31.2	133.4	34.0	85.9	106.4	M10	21.6	13.5
205	7/8	1.8	1.34	5.50	1.40	3.69	4.50	3/8	0.85	0.58
	15/16	1.7	1.34	5.50	1.40	3.69	4.50	3/8	0.85	0.58
	1	1.6	1.34	5.50	1.40	3.69	4.50	3/8	0.85	0.58
	25mm	0.7	34.0	139.7	35.6	93.7	114.3	M10	21.6	14.7
206	1-1/16	2.8	1.52	6.25	1.75	4.25	5.00	1/2	0.94	0.68
	1-1/8	2.7	1.52	6.25	1.75	4.25	5.00	1/2	0.94	0.68
	1-3/16	2.6	1.52	6.25	1.75	4.25	5.00	1/2	0.94	0.68
	1-1/4	2.5	1.52	6.25	1.75	4.25	5.00	1/2	0.94	0.68
	30mm	1.1	38.6	158.8	44.5	108.0	127.0	M12	23.9	17.3
206 (SCU)	1-1/16	2.9	1.52	6.25	1.75	4.25	5.00	1/2	0.94	0.75
	1-1/8	2.8	1.52	6.25	1.75	4.25	5.00	1/2	0.94	0.75
	1-3/16	2.7	1.52	6.25	1.75	4.25	5.00	1/2	0.94	0.75
	1-1/4	2.6	1.52	6.25	1.75	4.25	5.00	1/2	0.94	0.75
	30mm	1.1	38.6	158.8	44.5	108.0	127.0	M12	23.9	19.1
207	1-1/4	4.5	1.71	6.50	1.75	4.68	5.44	1/2	0.94	0.71
	1-5/16	4.4	1.71	6.50	1.75	4.68	5.44	1/2	0.94	0.71
	1-3/8	4.3	1.71	6.50	1.75	4.68	5.44	1/2	0.94	0.71
	1-7/16	4.2	1.71	6.50	1.75	4.68	5.44	1/2	0.94	0.71
	35mm	1.5	43.4	165.1	44.5	118.9	138.2	M12	23.9	18.0

Series	Shaft size	J	L	M	R	S	U	V	W	X
204	1/2	2.56	1.12	1.31	0.50	0.73	2.25	4.50	0.50	0.12
	5/8	2.56	1.12	1.31	0.50	0.73	2.25	4.50	0.50	0.12
	3/4	2.56	1.12	1.31	0.50	0.73	2.25	4.50	0.50	0.12
	20mm	65.0	28.4	33.3	12.7	18.5	57.2	114.3	12.7	3.0
205	7/8	2.77	1.32	1.44	0.56	0.78	2.50	5.00	0.50	0.12
	15/16	2.77	1.32	1.44	0.56	0.78	2.50	5.00	0.50	0.12
	1	2.77	1.32	1.44	0.56	0.78	2.50	5.00	0.50	0.12
	25mm	70.4	33.5	36.5	14.2	19.8	63.5	127.0	12.7	3.0
206	1-1/16	3.25	1.57	1.63	0.58	0.94	2.88	5.76	0.56	0.12
	1-1/8	3.25	1.57	1.63	0.58	0.94	2.88	5.76	0.56	0.12
	1-3/16	3.25	1.57	1.63	0.58	0.94	2.88	5.76	0.56	0.12
	1-1/4	3.25	1.57	1.63	0.58	0.94	2.88	5.76	0.56	0.12
	30mm	82.6	39.9	41.3	14.7	23.9	73.2	146.3	14.2	3.0
206 (SCU)	1-1/16	3.31	1.57	1.69	0.58	0.94	2.88	5.76	0.56	0.12
	1-1/8	3.31	1.57	1.69	0.58	0.94	2.88	5.76	0.56	0.12
	1-3/16	3.31	1.57	1.69	0.58	0.94	2.88	5.76	0.56	0.12
	1-1/4	3.31	1.57	1.69	0.58	0.94	2.88	5.76	0.56	0.12
	30mm	84.1	39.9	42.9	14.7	23.9	73.2	146.3	14.2	3.0
207	1-1/4	3.75	1.84	1.88	0.67	1.04	2.91	5.82	0.56	0.12
	1-5/16	3.75	1.84	1.88	0.67	1.04	2.91	5.82	0.56	0.12
	1-3/8	3.75	1.84	1.88	0.67	1.04	2.91	5.82	0.56	0.12
	1-7/16	3.75	1.84	1.88	0.67	1.04	2.91	5.82	0.56	0.12
	35mm	95.3	46.7	47.6	17.0	26.4	73.9	147.8	14.2	3.0

Extreme Duty mounted ball bearings

Selection/Dimensions

Extreme Duty set screw mounted ball bearings
SCED and SCUED normal duty pillow blocks



Series	Shaft size	Standard part no.	Description
208	1-1/2	076008	P2B-SCED-108
	1-5/8	@	P2B-SCED-110
	40mm	076224	P2B-SCED-40M
209	1-5/8	@	P2B-SCED-110L
	1-11/16	076009	P2B-SCED-111
	1-3/4	076010	P2B-SCED-112
210	45mm	076225	P2B-SCED-45M
	1-15/16	076011	P2B-SCED-115
	2	076012	P2B-SCED-200
211	50mm	076226	P2B-SCED-50M
	2	076132	P2B-SCMED-200
	2-3/16	076133	P2B-SCMED-203
212	2-1/4	@	P2B-SCED-204
	55mm	076227	P2B-SCED-55M
	2-1/4	@	P2B-SCMED-204
214	2-7/16	076014	P2B-SCED-207
	60mm	076228	P2B-SCED-60M
	2-1/2	076135	P2B-SCMED-208
215	2-11/16	076015	P2B-SCED-211
	70mm	076229	P2B-SCED-70M
	2-15/16	076016	P2B-SCED-215
215 (SCU)	75mm	076230	P2B-SCED-75M
	2-15/16	@	P2B-SCUED-215
218	75mm	@	P2B-SCUED-75M
	90mm	@	P2B-SCED-90M

@ Assembled to order

Extreme Duty mounted ball bearings

Selection/Dimensions

Extreme Duty set screw mounted ball bearings SCED and SCUED normal duty pillow blocks

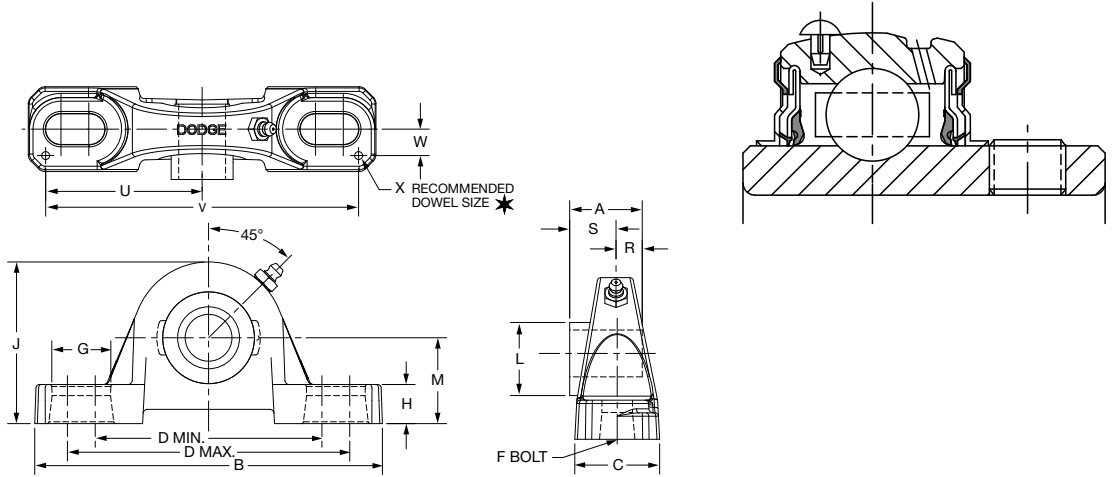
Series	Shaft size	Weight lb kg	A	B	C	D		F bolt dia.	G	H
						Min.	Max.			
208	1-1/2	5.4	1.94	7.25	1.93	5.18	5.88	1/2	0.91	0.93
	1-5/8	5.3	1.94	7.25	1.93	5.18	5.88	1/2	0.91	0.93
	40mm	2.2	49.3	184.2	49.0	131.6	149.4	M12	23.1	23.6
209	1-5/8	6.6	1.94	7.44	2.00	5.50	6.19	1/2	0.90	0.75
	1-11/16	6.4	1.94	7.44	2.00	5.50	6.19	1/2	0.90	0.75
	1-3/4	6.2	1.94	7.44	2.00	5.50	6.19	1/2	0.90	0.75
	45mm	2.2	49.3	189.0	50.8	139.7	157.2	M12	22.9	19.1
210	1-15/16	7.2	1.94	8.12	2.25	6.00	6.68	5/8	1.02	0.75
	2	7.0	1.94	8.12	2.25	6.00	6.68	5/8	1.02	0.75
	50mm	2.6	49.3	206.2	57.2	152.4	169.7	M16	25.9	19.1
211	2	9.0	2.22	8.88	2.30	6.38	7.44	5/8	1.21	0.88
	2-3/16	8.9	2.22	8.88	2.30	6.38	7.44	5/8	1.21	0.88
	2-1/4	8.8	2.22	8.88	2.30	6.38	7.44	5/8	1.21	0.88
	55mm	3.3	56.4	225.6	58.4	162.1	189.0	M16	30.7	22.4
212	2-1/4	10.8	2.31	9.50	2.37	6.88	7.94	5/8	1.21	0.88
	2-7/16	10.2	2.31	9.50	2.37	6.88	7.94	5/8	1.21	0.88
	60mm	4.2	58.7	241.3	60.2	174.8	201.7	M16	30.7	22.4
214	2-1/2	15.5	2.54	10.75	2.69	7.50	8.50	3/4	1.32	0.94
	2-11/16	15.0	2.54	10.75	2.69	7.50	8.50	3/4	1.32	0.94
	70mm	6.9	64.5	273.1	68.3	190.5	215.9	M18	33.5	23.9
215	2-15/16	20.5	2.33	11.75	2.88	8.50	9.50	7/8	1.44	1.00
	75mm	7.9	59.2	298.5	73.2	215.9	241.3	M22	36.6	25.4
215 (SCU)	2-15/16	20.7	2.33	11.75	2.88	8.50	9.50	7/8	1.44	1.00
	75mm	8.0	59.2	298.5	73.2	215.9	241.3	M22	36.6	25.4
218	90mm	13.6	65.0	355.6	85.9	262.1	295.1	M22	40.4	33.3

Series	Shaft size	J	L	M	R	S	U	V	W	X
208	1-1/2	4.19	2.05	2.13	0.75	1.19	3.26	6.52	0.69	0.12
	1-5/8	4.19	2.05	2.13	0.75	1.19	3.26	6.52	0.69	0.12
	40mm	106.4	52.1	54.0	19.1	30.2	82.8	165.6	17.5	3.0
209	1-5/8	4.28	2.22	2.13	0.75	1.19	3.38	6.76	0.69	0.12
	1-11/16	4.28	2.22	2.13	0.75	1.19	3.38	6.76	0.69	0.12
	1-3/4	4.28	2.22	2.13	0.75	1.19	3.38	6.76	0.69	0.12
	45mm	108.7	56.4	54.0	19.1	30.2	85.9	171.7	17.5	3.0
210	1-15/16	4.53	2.43	2.25	0.75	1.19	3.69	7.38	0.81	0.12
	2	4.53	2.43	2.25	0.75	1.19	3.69	7.38	0.81	0.12
	50mm	115.1	61.7	57.2	19.1	30.2	93.7	187.5	20.6	3.0
211	2	4.96	2.71	2.50	0.87	1.35	3.94	7.88	0.81	0.12
	2-3/16	4.96	2.71	2.50	0.87	1.35	3.94	7.88	0.81	0.12
	2-1/4	4.96	2.71	2.50	0.87	1.35	3.94	7.88	0.81	0.12
	55mm	126.0	68.8	63.5	22.1	34.3	100.1	200.2	20.6	3.0
212	2-1/4	5.40	2.97	2.75	0.90	1.41	4.25	8.50	0.88	0.12
	2-7/16	5.40	2.97	2.75	0.90	1.41	4.25	8.50	0.88	0.12
	60mm	137.2	75.4	69.9	22.9	35.8	108.0	215.9	22.4	3.0
214	2-1/2	6.09	3.31	3.00	1.06	1.48	4.88	9.76	0.94	0.12
	2-11/16	6.09	3.31	3.00	1.06	1.48	4.88	9.76	0.94	0.12
	70mm	154.7	84.1	76.2	26.9	37.6	124.0	247.9	23.9	3.0
215	2-15/16	6.75	3.62	3.50	0.86	1.47	5.48	10.96	1.04	0.12
	75mm	171.5	91.9	88.9	21.8	37.3	139.2	278.4	26.4	3.0
215 (SCU)	2-15/16	6.50	3.62	3.25	0.86	1.47	5.48	10.96	1.04	0.12
	75mm	165.1	91.9	82.6	21.8	37.3	139.2	278.4	26.4	3.0
218	90mm	203.2	110.5	101.6	24.4	40.6	167.6	335.3	30.2	3.0

Extreme Duty mounted ball bearings

Selection/Dimensions

Extreme Duty set screw mounted ball bearings
SCBED normal duty pillow blocks



Series	Shaft size	Part No.	Description	Weight lb kg	A	B	C	D		F bolt dia.	G	H
								Min.	Max.			
204	1/2	@	P2B-SCBED-008L	1.6	1.23	5.25	1.34	3.38	4.19	3/8	0.85	0.47
	5/8	@	P2B-SCBED-010L	1.5	1.23	5.25	1.34	3.38	4.19	3/8	0.85	0.47
	3/4	@	P2B-SCBED-012	1.4	1.23	5.25	1.34	3.38	4.19	3/8	0.85	0.47
	20mm	@	P2B-SCBED-20M	0.7	31.2	133.4	34.0	85.9	106.4	M10	21.6	11.9
205	7/8	@	P2B-SCBED-014	1.8	1.34	5.50	1.40	3.69	4.50	3/8	0.85	0.45
	15/16	@	P2B-SCBED-015	1.7	1.34	5.50	1.40	3.69	4.50	3/8	0.85	0.45
	1	@	P2B-SCBED-100	1.6	1.34	5.50	1.40	3.69	4.50	3/8	0.85	0.45
	25mm	@	P2B-SCBED-25M	0.7	34.0	139.7	35.6	93.7	114.3	M10	21.6	11.4
206	1-1/16	@	P2B-SCBED-101	2.8	1.52	6.25	1.75	4.25	5.00	1/2	0.94	0.62
	1-1/8	@	P2B-SCBED-102	2.7	1.52	6.25	1.75	4.25	5.00	1/2	0.94	0.62
	1-3/16	@	P2B-SCBED-103	2.6	1.52	6.25	1.75	4.25	5.00	1/2	0.94	0.62
	1-1/4	@	P2B-SCBED-104S	2.5	1.52	6.25	1.75	4.25	5.00	1/2	0.94	0.62
	30mm	@	P2B-SCBED-30M	1.1	38.6	158.8	44.5	108.0	127.0	M12	23.9	15.8
207	1-1/4	@	P2B-SCBED-104	4.5	1.71	6.50	1.75	4.68	5.44	1/2	0.94	0.65
	1-5/16	@	P2B-SCBED-105	4.4	1.71	6.50	1.75	4.68	5.44	1/2	0.94	0.65
	1-3/8	@	P2B-SCBED-106	4.3	1.71	6.50	1.75	4.68	5.44	1/2	0.94	0.65
	1-7/16	@	P2B-SCBED-107	4.2	1.71	6.50	1.75	4.68	5.44	1/2	0.94	0.65
	35mm	@	P2B-SCBED-35M	1.5	43.4	165.1	44.5	118.9	138.2	M12	23.9	16.5
208	1-1/2	@	P2B-SCBED-108	5.4	1.94	7.25	1.93	5.18	5.88	1/2	0.91	0.75
	1-5/8	@	P2B-SCBED-110	5.3	1.94	7.25	1.93	5.18	5.88	1/2	0.91	0.75
	40mm	@	P2B-SCBED-40M	2.2	49.3	184.2	49.0	131.6	149.4	M12	23.1	19.1
209	1-5/8	@	P2B-SCBED-110L	6.6	1.94	7.44	2.00	5.50	6.19	1/2	0.90	0.69
	1-11/16	@	P2B-SCBED-111	6.4	1.94	7.44	2.00	5.50	6.19	1/2	0.90	0.69
	1-3/4	@	P2B-SCBED-112	6.2	1.94	7.44	2.00	5.50	6.19	1/2	0.90	0.69
	45mm	076545	P2B-SCBED-45M	2.2	49.3	189.0	50.8	139.7	157.2	M12	22.9	17.5
210	1-15/16	@	P2B-SCBED-115	7.2	1.94	8.12	2.25	6.00	6.68	5/8	1.02	0.68
	2	@	P2B-SCBED-200	7.0	1.94	8.12	2.25	6.00	6.68	5/8	1.02	0.68
	50mm	@	P2B-SCBED-50M	2.6	49.3	206.2	57.2	152.4	169.7	M16	25.9	17.3
211	2	@	P2B-SCBED-200L	9.0	2.22	8.88	2.30	6.38	7.44	5/8	1.21	0.81
	2-3/16	@	P2B-SCBED-203	8.9	2.22	8.88	2.30	6.38	7.44	5/8	1.21	0.81
	2-1/4	@	P2B-SCBED-204	8.8	2.22	8.88	2.30	6.38	7.44	5/8	1.21	0.81
	55mm	@	P2B-SCBED-55M	3.3	56.4	225.6	58.4	162.1	189.0	M16	30.7	20.6
212	2-1/4	@	P2B-SCBED-204L	10.8	2.31	9.50	2.37	6.88	7.94	5/8	1.21	0.81
	2-7/16	077453	P2B-SCBED-207	10.2	2.31	9.50	2.37	6.88	7.94	5/8	1.21	0.81
	60mm	@	P2B-SCBED-60M	4.2	58.7	241.3	60.2	174.8	201.7	M16	30.7	20.6
215	2-15/16	@	P2B-SCBED-215	20.5	2.33	11.75	2.88	8.50	9.50	7/8	1.44	1.06
	75mm	@	P2B-SCBED-75M	7.9	59.2	298.5	73.2	215.9	241.3	M22	36.6	26.9

@ Assembled to order.

Extreme Duty mounted ball bearings

Selection/Dimensions

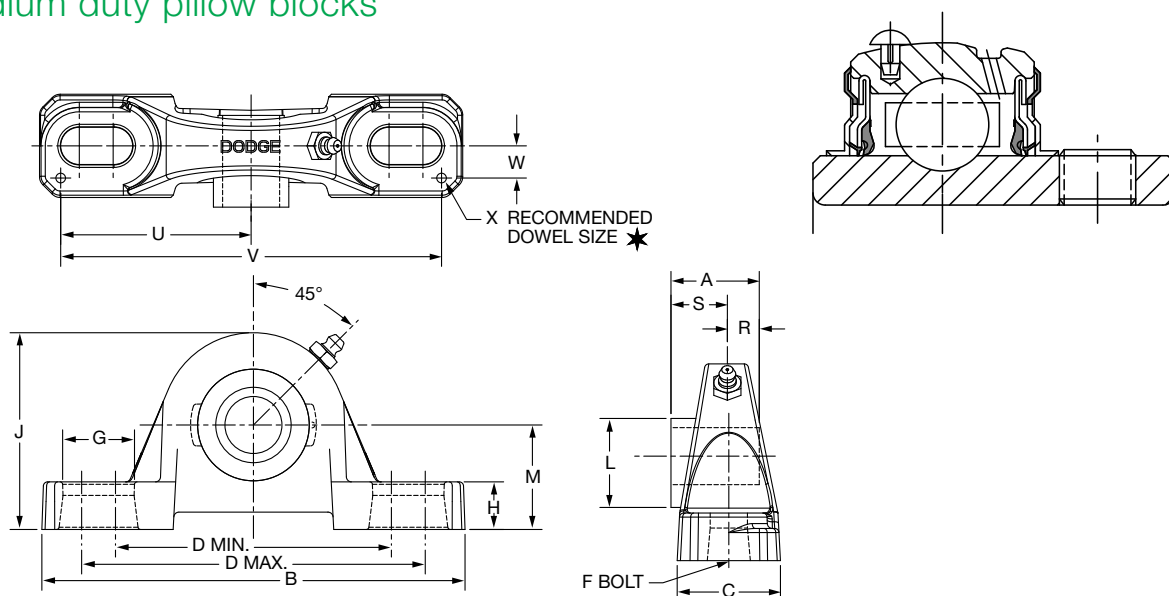
Extreme Duty set screw mounted ball bearings
SCBED normal duty pillow blocks

Series	Shaft size	J	L	M	R	S	U	V	W	X
204	1/2	2.49	1.12	1.25	0.50	0.73	2.25	4.50	0.50	0.12
	5/8	2.49	1.12	1.25	0.50	0.73	2.25	4.50	0.50	0.12
	3/4	2.49	1.12	1.25	0.50	0.73	2.25	4.50	0.50	0.12
	20mm	63.2	28.4	31.8	12.7	18.5	57.2	114.3	12.7	3.0
205	7/8	2.64	1.32	1.31	0.56	0.78	2.50	5.00	0.50	0.12
	15/16	2.64	1.32	1.31	0.56	0.78	2.50	5.00	0.50	0.12
	1	2.64	1.32	1.31	0.56	0.78	2.50	5.00	0.50	0.12
	25mm	67.1	33.5	33.3	14.2	19.8	63.5	127.0	12.7	3.0
206	1-1/16	3.19	1.57	1.56	0.58	0.94	2.88	5.76	0.56	0.12
	1-1/8	3.19	1.57	1.56	0.58	0.94	2.88	5.76	0.56	0.12
	1-3/16	3.19	1.57	1.56	0.58	0.94	2.88	5.76	0.56	0.12
	1-1/4	3.19	1.57	1.56	0.58	0.94	2.88	5.76	0.56	0.12
	30mm	81.0	39.9	39.6	14.7	23.9	73.2	146.3	14.2	3.0
207	1-1/4	3.69	1.84	1.81	0.67	1.04	2.91	5.82	0.56	0.12
	1-5/16	3.69	1.84	1.81	0.67	1.04	2.91	5.82	0.56	0.12
	1-3/8	3.69	1.84	1.81	0.67	1.04	2.91	5.82	0.56	0.12
	1-7/16	3.69	1.84	1.81	0.67	1.04	2.91	5.82	0.56	0.12
	35mm	93.7	46.7	46.0	17.0	26.4	73.9	147.8	14.2	3.0
208	1-1/2	4.00	2.05	1.94	0.75	1.19	3.26	6.52	0.69	0.12
	1-5/8	4.00	2.05	1.94	0.75	1.19	3.26	6.52	0.69	0.12
	40mm	101.6	52.1	49.3	19.1	30.2	82.8	165.6	17.5	3.0
209	1-5/8	4.21	2.22	2.06	0.75	1.19	3.38	6.76	0.69	0.12
	1-11/16	4.21	2.22	2.06	0.75	1.19	3.38	6.76	0.69	0.12
	1-3/4	4.21	2.22	2.06	0.75	1.19	3.38	6.76	0.69	0.12
	45mm	106.9	56.4	52.3	19.1	30.2	85.9	171.7	17.5	3.0
210	1-15/16	4.47	2.43	2.19	0.75	1.19	3.69	7.38	0.81	0.12
	2	4.47	2.43	2.19	0.75	1.19	3.69	7.38	0.81	0.12
	50mm	113.5	61.7	55.6	19.1	30.2	93.7	187.5	20.6	3.0
211	2	4.90	2.71	2.44	0.87	1.35	3.94	7.88	0.81	0.12
	2-3/16	4.90	2.71	2.44	0.87	1.35	3.94	7.88	0.81	0.12
	2-1/4	4.90	2.71	2.44	0.87	1.35	3.94	7.88	0.81	0.12
	55mm	124.5	68.8	62.0	22.1	34.3	100.1	200.2	20.6	3.0
212	2-1/4	5.34	2.97	2.69	0.90	1.41	4.25	8.50	0.88	0.12
	2-7/16	5.34	2.97	2.69	0.90	1.41	4.25	8.50	0.88	0.12
	60mm	135.6	75.4	68.3	22.9	35.8	108.0	215.9	22.4	3.0
215	2-15/16	6.56	3.62	3.31	0.86	1.47	5.48	10.96	1.04	0.12
	75mm	166.6	91.9	84.1	21.8	37.3	139.2	278.4	26.4	3.0

Extreme Duty mounted ball bearings

Selection/Dimensions

Extreme Duty set screw mounted ball bearings
SCMED medium duty pillow blocks



Series	Shaft size	Standard part no.	Description
206	1	076125	P2B-SCMED-100
	25mm	076296	P2B-SCMED-25M
206 (SCMU)	1	@	P2B-SCMU-100
	25mm	@	P2B-SCMU-25M
207	1-3/16	076126	P2B-SCMED-103
	1-1/4	076005	P2B-SCMED-104
	30mm	076297	P2B-SCMED-30M
208	1-7/16	076127	P2B-SCMED-107
	35mm	076298	P2B-SCMED-35M
209	1-1/2	076128	P2B-SCMED-108
	1-5/8	@	P2B-SC-110L
	40mm	076299	P2B-SCMED-40M
210	1-11/16	076129	P2B-SCMED-111
	1-3/4	076130	P2B-SCMED-112
	45mm	076300	P2B-SCMED-45M
211	1-15/16	076131	P2B-SCMED-115
	2	076132	P2B-SCMED-200
	50mm	076301	P2B-SCMED-50M
212	2-3/16	076133	P2B-SCMED-203
	2-1/4	@	P2B-SCMED-204
	55mm	076302	P2B-SCMED-55M
214	2-7/16	076134	P2B-SCMED-207
	2-1/2	076135	P2B-SCMED-208
	65mm	076303	P2B-SCMED-65M
215	2-11/16	076136	P2B-SCMED-211
	70mm	076304	P2B-SCMED-70M
216	2-15/16	076137	P2B-SCMED-215
	3	076138	P2B-SCMED-300
	75mm	076305	P2B-SCMED-75M
218	3-7/16	076139	P2B-SCMED-307
	3-1/2	076140	P2B-SCMED-308
	85mm	076306	P2B-SCMED-85M

@ Assembled to order

Extreme Duty mounted ball bearings

Selection/Dimensions

Extreme Duty set screw ball bearings
SCMED Medium duty pillow blocks

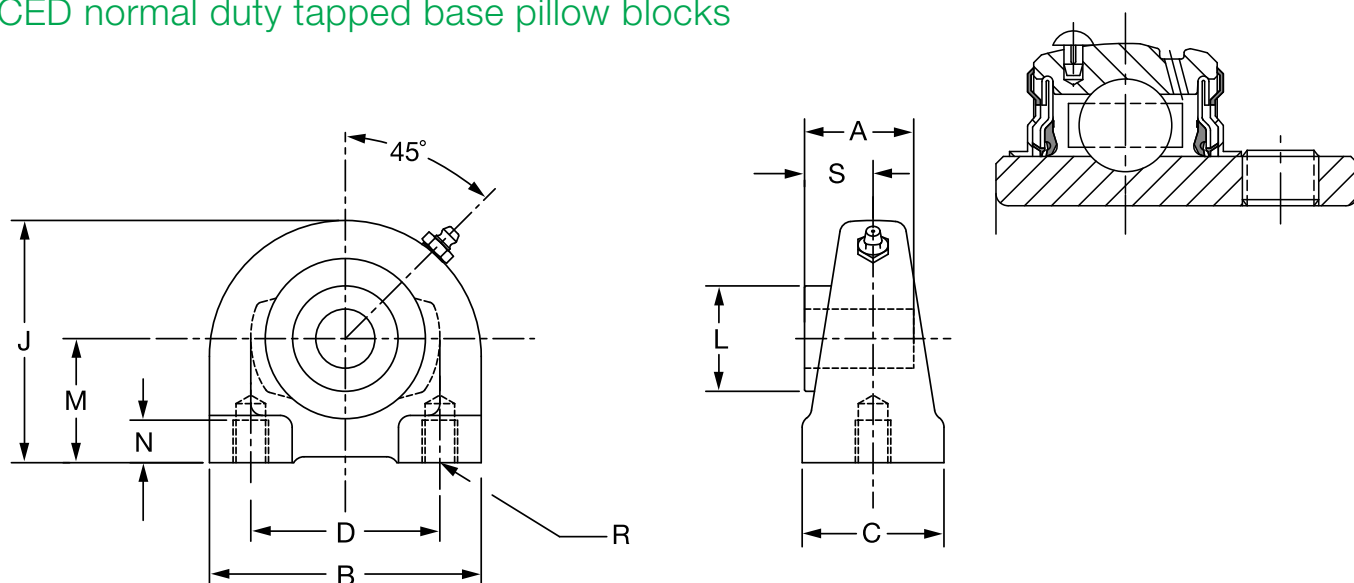
Series	Shaft size	Weight lb kg	A	B	C	D		F bolt dia.	G	H
						Min.	Max.			
206	1	3.0	1.52	6.25	1.75	4.25	5.00	1/2	0.94	0.68
	25mm	1.3	38.6	158.8	44.5	108.0	127.0	M12	23.9	17.3
206 (SCMU)	1	3.1	1.52	6.25	1.75	4.25	5.00	1/2	0.94	0.75
	25mm	1.4	38.6	158.8	44.5	108.0	127.0	M12	23.9	19.1
207	1-3/16	4.6	1.71	6.50	1.75	4.68	5.44	1/2	0.94	0.71
	1-1/4	4.2	1.71	6.50	1.75	4.68	5.44	1/2	0.94	0.71
	30mm	2.0	43.4	165.1	44.5	118.9	138.2	M12	23.9	18.0
208	1-7/16	5.4	1.94	7.25	1.93	5.18	5.88	1/2	0.91	0.93
	35mm	2.3	49.3	184.2	49.0	131.6	149.4	M12	23.1	23.6
209	1-1/2	6.4	1.94	7.44	2.00	5.50	6.19	1/2	0.90	0.75
	1-5/8	6.3	1.94	7.44	2.00	5.50	6.19	1/2	0.90	0.75
	40mm	2.7	49.3	189.0	50.8	139.7	157.2	M12	22.9	19.1
210	1-11/16	7.4	1.94	8.12	2.25	6.00	6.68	5/8	1.02	0.75
	1-3/4	7.3	1.94	8.12	2.25	6.00	6.68	5/8	1.02	0.75
	45mm	3.2	49.3	206.2	57.2	152.4	169.7	M16	25.9	19.1
211	1-15/16	9.2	2.22	8.88	2.30	6.38	7.44	5/8	1.21	0.88
	2	9.0	2.22	8.88	2.30	6.38	7.44	5/8	1.21	0.88
	50mm	3.9	56.4	225.6	58.4	162.1	189.0	M16	30.7	22.4
212	2-3/16	11.0	2.31	9.50	2.37	6.88	7.94	5/8	1.21	0.88
	2-1/4	10.8	2.31	9.50	2.37	6.88	7.94	5/8	1.21	0.88
	55mm	4.7	58.7	241.3	60.2	174.8	201.7	M16	30.7	22.4
214	2-7/16	15.7	2.54	10.75	2.69	7.50	8.50	3/4	1.32	0.94
	2-1/2	15.5	2.54	10.75	2.69	7.50	8.50	3/4	1.32	0.94
	65mm	6.7	64.5	273.1	68.3	190.5	215.9	M18	33.5	23.9
215	2-11/16	21.0	2.33	11.75	2.88	8.50	9.50	7/8	1.44	1.00
	70mm	9.0	59.2	298.5	73.2	215.9	241.3	M22	36.6	25.4
216	2-15/16	21.3	2.38	11.75	3.00	8.50	9.50	7/8	1.44	1.25
	3	21.1	2.38	11.75	3.00	8.50	9.50	7/8	1.44	1.25
	75mm	9.0	60.5	298.5	76.2	215.9	241.3	M22	36.6	31.8
218	3-7/16	31.8	2.56	14.00	3.38	10.32	11.62	7/8	1.59	1.31
	3-1/2	31.3	2.56	14.00	3.38	10.32	11.62	7/8	1.59	1.31
	85mm	13.6	65.0	355.6	85.9	262.1	295.1	M22	40.4	33.3

Series	Shaft size	J	L	M	R	S	U	V	W	X
206	1	3.25	1.57	1.63	0.58	0.94	2.88	5.76	0.56	0.12
	25mm	82.6	39.9	41.3	14.7	23.9	73.2	146.3	14.2	3.0
206 (SCMU)	1	3.31	1.57	1.69	0.58	0.94	2.88	5.76	0.56	0.12
	25mm	84.1	39.9	42.9	14.7	23.9	73.2	146.3	14.2	3.0
207	1-3/16	3.75	1.84	1.88	0.67	1.04	2.91	5.82	0.56	0.12
	1-1/4	3.75	1.84	1.88	0.67	1.04	2.91	5.82	0.56	0.12
	30mm	95.3	46.7	47.6	17.0	26.4	73.9	147.8	14.2	3.0
208	1-7/16	4.19	2.05	2.13	0.75	1.19	3.26	6.52	0.69	0.12
	35mm	106.4	52.1	54.0	19.1	30.2	82.8	165.6	17.5	3.0
209	1-1/2	4.28	2.22	2.13	0.75	1.19	3.38	6.76	0.69	0.12
	1-5/8	4.28	2.22	2.13	0.75	1.19	3.38	6.76	0.69	0.12
	40mm	108.7	56.4	54.0	19.1	30.2	85.9	171.7	17.5	3.0
210	1-11/16	4.53	2.43	2.25	0.75	1.19	3.69	7.38	0.81	0.12
	1-3/4	4.53	2.43	2.25	0.75	1.19	3.69	7.38	0.81	0.12
	45mm	115.1	61.7	57.2	19.1	30.2	93.7	187.5	20.6	3.0
211	1-15/16	4.96	2.71	2.50	0.87	1.35	3.94	7.88	0.81	0.12
	2	4.96	2.71	2.50	0.87	1.35	3.94	7.88	0.81	0.12
	50mm	126.0	68.8	63.5	22.1	34.3	100.1	200.2	20.6	3.0
212	2-3/16	5.40	2.97	2.75	0.90	1.41	4.25	8.50	0.88	0.12
	2-1/4	5.40	2.97	2.75	0.90	1.41	4.25	8.50	0.88	0.12
	55mm	137.2	75.4	69.9	22.9	35.8	108.0	215.9	22.4	3.0
214	2-7/16	6.09	3.31	3.00	1.06	1.48	4.88	9.76	0.94	0.12
	2-1/2	6.09	3.31	3.00	1.06	1.48	4.88	9.76	0.94	0.12
	65mm	154.7	84.1	76.2	26.9	37.6	124.0	247.9	23.9	3.0
215	2-11/16	6.75	3.62	3.50	0.86	1.47	5.48	10.96	1.04	0.12
	70mm	171.5	91.9	88.9	21.8	37.3	139.2	278.4	26.4	3.0
216	2-15/16	6.97	3.83	3.50	0.88	1.50	5.50	11.00	1.09	0.12
	3	6.97	3.83	3.50	0.88	1.50	5.50	11.00	1.09	0.12
218	75mm	177.0	97.3	88.9	22.4	38.1	139.7	279.4	27.7	3.0
	3-7/16	8.00	4.35	4.00	0.96	1.60	6.60	13.20	1.19	0.12
	3-1/2	8.00	4.35	4.00	0.96	1.60	6.60	13.20	1.19	0.12
	85mm	203.2	110.5	101.6	24.4	40.6	167.6	335.3	30.2	3.0

Extreme Duty mounted ball bearings

Selection/Dimensions

Extreme Duty set screw mounted ball bearings
SCED normal duty tapped base pillow blocks



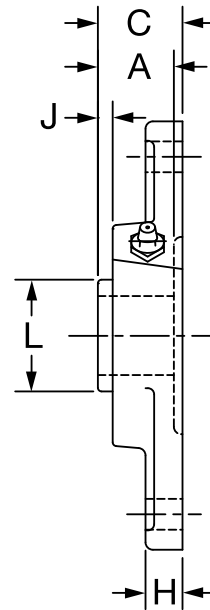
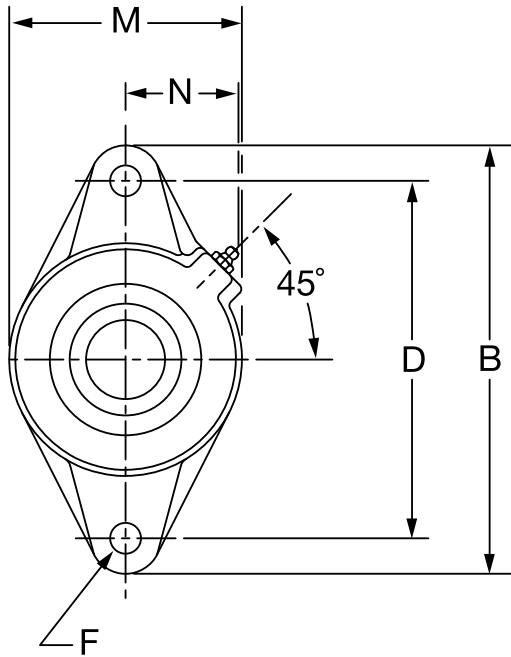
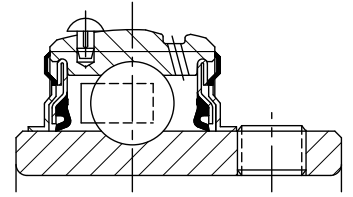
Series	Shaft size	Part no.	Description	Weight lb kg	A	B	C	D	J	L	M	N	R	S
204	1/2	@	TB-SCED-008	1.56	1.23	2.88	1.50	2.00	2.56	1.12	1.31	0.50	3/8-16	0.73
	5/8	077418	TB-SCED-010	1.53	1.23	2.88	1.50	2.00	2.56	1.12	1.31	0.50	3/8-16	0.73
	3/4	076017	TB-SCED-012	1.50	1.23	2.88	1.50	2.00	2.56	1.12	1.31	0.50	3/8-16	0.73
	20mm	076231	TB-SCED-20M	0.06	31.2	73.2	38.1	50.8	65.0	28.4	33.4	12.7	M8x1.25	18.5
205	7/8	@	TB-SCED-014	1.93	1.34	3.00	1.50	2.00	2.81	1.32	1.44	0.50	3/8-16	0.78
	15/16	@	TB-SCED-015	1.90	1.34	3.00	1.50	2.00	2.81	1.32	1.44	0.50	3/8-16	0.78
	1	076018	TB-SCED-100	1.87	1.34	3.00	1.50	2.00	2.81	1.32	1.44	0.50	3/8-16	0.78
	25mm	076232	TB-SCED-25M	0.07	34.0	76.2	38.1	50.8	71.4	33.5	36.5	12.7	M10x1.5	19.8
206	1-1/16	@	TB-SCED-101	2.66	1.52	4.00	1.50	3.00	3.38	1.57	1.69	0.63	7/16-14	0.94
	1-1/8	076019	TB-SCED-102	2.62	1.52	4.00	1.50	3.00	3.38	1.57	1.69	0.63	7/16-14	0.94
	1-3/16	076020	TB-SCED-103	2.59	1.52	4.00	1.50	3.00	3.38	1.57	1.69	0.63	7/16-14	0.94
	1-1/4	076021	TB-SCED-104S	2.56	1.52	4.00	1.50	3.00	3.38	1.57	1.69	0.63	7/16-14	0.94
	30mm	076233	TB-SCED-30M	0.10	38.6	101.6	38.1	76.2	85.9	39.9	42.9	16.0	M10x1.5	23.9
207	1-1/4	076022	TB-SCED-104	3.41	1.71	4.25	1.88	3.25	3.75	1.84	1.88	0.75	1/2-13	1.04
	1-5/16	@	TB-SCED-105	3.36	1.71	4.25	1.88	3.25	3.75	1.84	1.88	0.75	1/2-13	1.04
	1-3/8	076023	TB-SCED-106	3.34	1.71	4.25	1.88	3.25	3.75	1.84	1.88	0.75	1/2-13	1.04
	1-7/16	076024	TB-SCED-107	3.25	1.71	4.25	1.88	3.25	3.75	1.84	1.88	0.75	1/2-13	1.04
	35mm	076234	TB-SCED-35M	0.13	43.4	108.0	47.8	82.6	95.3	46.7	47.6	19.1	M10x1.5	26.4
208	1-1/2	076025	TB-SCED-108	4.10	1.94	4.63	1.88	3.50	3.94	2.05	1.94	0.75	1/2-13	1.19
	1-5/8	@	TB-SCED-110	4.00	1.94	4.63	1.88	3.50	3.94	2.05	1.94	0.75	1/2-13	1.19
	40mm	076235	TB-SCED-40M	0.16	49.3	117.6	47.8	88.9	100.1	52.1	49.2	19.1	M12x1.75	30.2
209	1-5/8	@	TB-SCED-110L	5.20	1.94	5.00	2.00	3.75	4.25	2.22	2.13	0.75	1/2-13	1.19
	1-11/16	076026	TB-SCED-111	5.00	1.94	5.00	2.00	3.75	4.25	2.22	2.13	0.75	1/2-13	1.19
	1-3/4	076027	TB-SCED-112	4.90	1.94	5.00	2.00	3.75	4.25	2.22	2.13	0.75	1/2-13	1.19
	45mm	076236	TB-SCED-45M	0.20	49.3	127.0	50.8	95.3	108.0	56.4	54.0	19.1	M12x1.75	30.2
210	1-15/16	076028	TB-SCED-115	5.40	1.94	5.50	2.00	4.00	4.63	2.43	2.25	0.88	5/8-11	1.19
	2	076029	TB-SCED-200	5.20	1.94	5.50	2.00	4.00	4.63	2.43	2.25	0.88	5/8-11	1.19
	50mm	076237	TB-SCED-50M	0.21	49.3	139.7	50.8	101.6	117.6	61.7	57.2	22.4	M16x2	30.2
211	2	@	TB-SCED-200L	6.70	2.22	5.50	2.00	4.00	4.63	2.71	2.25	0.88	5/8-11	1.35
	2-3/16	076030	TB-SCED-203	6.50	2.22	5.50	2.00	4.00	4.63	2.71	2.25	0.88	5/8-11	1.35
	2-1/4	@	TB-SCED-204	6.30	2.22	5.50	2.00	4.00	4.63	2.71	2.25	0.88	5/8-11	1.35
	55mm	076238	TB-SCED-55M	0.25	56.4	139.7	50.8	101.6	117.6	68.8	57.2	22.4	M16x2	34.3

@ Assembled to order

Extreme Duty mounted ball bearings

Selection/Dimensions

Extreme Duty set screw mounted ball bearings
 SCED normal duty 2-bolt flange bearings



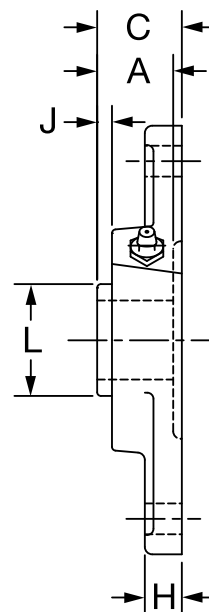
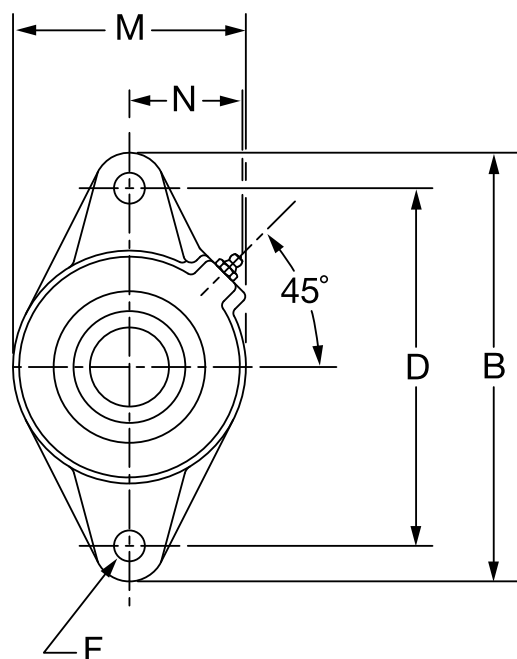
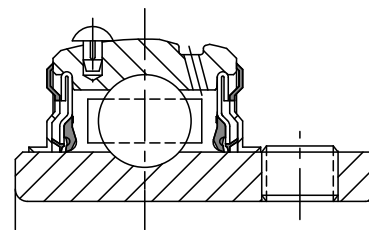
Series	Shaft size	Standard part no.	Description	Weight lb kg	A	B	C	D	F bolt dia.	H	J	L	M	N
204	1/2	@	F2B-SCED-008L	1.6	1.23	4.41	1.34	3.53	3/8	0.50	0.36	1.12	2.38	1.50
	5/8	@	F2B-SCED-010L	1.5	1.23	4.41	1.34	3.53	3/8	0.50	0.36	1.12	2.38	1.50
	3/4	076031	F2B-SCED-012	1.4	1.23	4.41	1.34	3.53	3/8	0.50	0.36	1.12	2.38	1.50
	20mm	076239	F2B-SCED-20M	0.5	31.2	112.0	34.0	89.7	M10	12.7	9.1	28.4	60.5	38.1
205	7/8	@	F2B-SCED-014	1.6	1.34	4.88	1.37	3.89	7/16	0.52	0.42	1.32	2.75	1.44
	15/16	@	F2B-SCED-015	1.5	1.34	4.88	1.37	3.89	7/16	0.52	0.42	1.32	2.75	1.44
	1	076032	F2B-SCED-100	1.4	1.34	4.88	1.37	3.89	7/16	0.52	0.42	1.32	2.75	1.44
	25mm	076240	F2B-SCED-25M	0.6	34.0	124.0	34.8	98.8	M10	13.2	10.7	33.5	69.9	36.6
206	1-1/16	@	F2B-SCED-101	2.3	1.52	5.56	1.56	4.59	7/16	0.50	0.49	1.57	3.13	1.56
	1-1/8	076033	F2B-SCED-102	2.2	1.52	5.56	1.56	4.59	7/16	0.50	0.49	1.57	3.13	1.56
	1-3/16	076034	F2B-SCED-103	2.1	1.52	5.56	1.56	4.59	7/16	0.50	0.49	1.57	3.13	1.56
	1-1/4	076035	F2B-SCED-104S	2.0	1.52	5.56	1.56	4.59	7/16	0.50	0.49	1.57	3.13	1.56
	30mm	076241	F2B-SCED-30M	1.0	38.6	141.2	39.6	116.7	M10	12.7	12.4	39.9	79.5	39.6
207	1-1/4	076036	F2B-SCED-104	3.5	1.71	6.13	1.75	5.12	1/2	0.56	0.53	1.84	3.75	1.84
	1-5/16	@	F2B-SCED-105	3.4	1.71	6.13	1.75	5.12	1/2	0.56	0.53	1.84	3.75	1.84
	1-3/8	076037	F2B-SCED-106	3.2	1.71	6.13	1.75	5.12	1/2	0.56	0.53	1.84	3.75	1.84
	1-7/16	076038	F2B-SCED-107	3.1	1.71	6.13	1.75	5.12	1/2	0.56	0.53	1.84	3.75	1.84
	35mm	076242	F2B-SCED-35M	1.5	43.4	155.7	44.5	130.0	M12	14.2	13.5	46.7	95.3	46.7

@Assembled to order

Extreme Duty mounted ball bearings

Selection/Dimensions

Extreme Duty set screw mounted ball bearings
SCED normal duty 2-bolt flange bearings



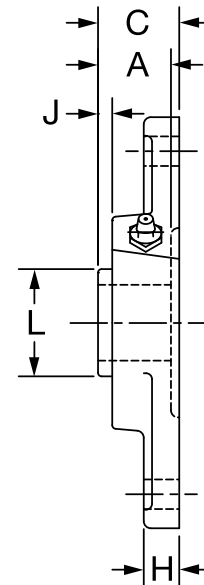
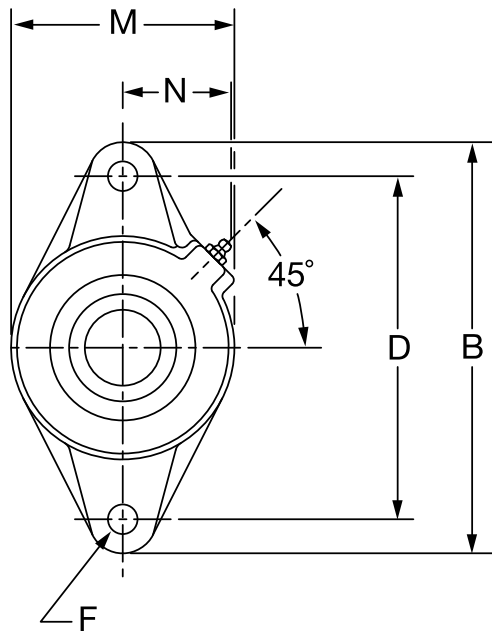
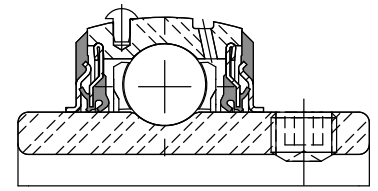
Series	Shaft size	Standard part no.	Description	Weight lb kg	A	B	C	D	F bolt dia.	H	J	L	M	N
208	1-1/2	076039	F2B-SCED-108	4.1	1.94	6.75	1.98	5.66	1/2	0.56	0.63	2.05	4.13	1.83
	1-5/8	@	F2B-SCED-110	4.0	1.94	6.75	1.98	5.66	1/2	0.56	0.63	2.05	4.13	1.83
	40mm	076243	F2B-SCED-40M	1.8	49.3	171.5	50.3	143.8	M12	14.2	16.0	52.1	104.9	46.5
209	1-5/8	@	F2B-SCED-110L	5.2	1.94	7.06	1.99	5.84	1/2	0.63	0.59	2.22	4.38	1.91
	1-11/16	076040	F2B-SCED-111	5.0	1.94	7.06	1.99	5.84	1/2	0.63	0.59	2.22	4.38	1.91
	1-3/4	076041	F2B-SCED-112	4.9	1.94	7.06	1.99	5.84	1/2	0.63	0.59	2.22	4.38	1.91
	1-13/16	@	F2B-SCED-113	4.7	1.94	7.06	1.99	5.84	1/2	0.63	0.59	2.22	4.38	1.91
	45mm	076244	F3B-SCED-45M	2.2	49.3	179.3	50.5	148.3	M14	16.0	15.0	56.4	111.3	48.5
210	1-15/16	076042	F2B-SCED-115	5.4	1.94	7.44	2.02	6.19	1/2	0.63	0.55	2.43	4.56	2.03
	2	076043	F2B-SCED-200	5.2	1.94	7.44	2.02	6.19	1/2	0.63	0.55	2.43	4.56	2.03
	50mm	076245	F2B-SCED-50M	2.5	49.3	189.0	51.3	157.2	M16	16.0	14.0	61.7	115.8	51.6
211	2	076148	F2B-SCMED-200	6.7	2.22	8.63	2.28	7.25	5/8	0.67	0.68	2.71	5.25	2.27
	2-3/16	076044	F2B-SCED-203	6.5	2.22	8.63	2.28	7.25	5/8	0.67	0.68	2.71	5.25	2.27
	2-1/4	075697	F2B-SCED-204	6.3	2.22	8.63	2.28	7.25	5/8	0.67	0.68	2.71	5.25	2.27
	55mm	@	F2B-SCED-55M	3.0	56.4	219.2	57.9	184.2	M16	17.0	17.3	68.8	133.4	57.7
212	2-1/4	@	F2B-SCMED-204	7.4	2.31	9.81	2.38	7.96	5/8	0.81	0.66	2.97	5.50	2.47
	2-7/16	076045	F2B-SCED-207	7.0	2.31	9.81	2.38	7.96	5/8	0.81	0.66	2.97	5.50	2.47
	60mm	077773	F2B-SCED-60M	3.4	58.7	249.2	60.5	202.1	M22	20.6	16.8	75.4	139.7	62.7

@Assembled to order

Extreme Duty mounted ball bearings

Selection/Dimensions

Extreme Duty set screw mounted ball bearings
SCMED medium duty 2-bolt flange bearings



Series	Shaft size	Standard part no.	Description	Weight lb kg	A	B	C	D	F bolt dia.	J	K	L	M	N
206	1	076141	F2B-SCMED-100	2.4	1.52	5.56	1.56	4.59	7/16	0.50	0.49	1.57	3.13	1.56
	25mm	076307	F2B-SCMED-25M	1.0	38.6	141.2	39.6	116.7	M10	12.7	12.4	39.9	79.5	39.6
207	1-3/16	076142	F2B-SCMED-103	3.6	1.71	6.13	1.75	5.12	1/2	0.56	0.53	1.84	3.75	1.84
	1-1/4	@	F2B-SCMED-104	3.5	1.71	6.13	1.75	5.12	1/2	0.56	0.53	1.84	3.75	1.84
	30mm	076308	F2B-SCMED-30M	1.6	43.4	155.7	44.5	130.0	M12	14.2	13.5	46.7	95.3	46.7
208	1-7/16	076143	F2B-SCMED-107	4.1	1.94	6.75	1.98	5.66	1/2	0.56	0.63	2.05	4.13	1.83
	35mm	076309	F2B-SCMED-35M	1.9	49.3	171.5	50.3	143.8	M12	14.2	16.0	52.1	104.9	46.5
209	1-1/2	076144	F2B-SCMED-108	5.3	1.94	7.06	1.99	5.84	1/2	0.63	0.59	2.22	4.38	1.91
	1-5/8	@	F2B-SCMED-110L	5.2	1.94	7.06	1.99	5.84	1/2	0.63	0.59	2.22	4.38	1.91
	40mm	076310	F2B-SCMED-40M	2.3	49.3	179.3	50.5	148.3	M14	16.0	15.0	56.4	111.3	48.5
210	1-11/16	076145	F2B-SCMED-111	5.8	1.94	7.44	2.02	6.19	1/2	0.63	0.55	2.43	4.56	2.03
	1-3/4	076146	F2B-SCMED-112	5.6	1.94	7.44	2.02	6.19	1/2	0.63	0.55	2.43	4.56	2.03
	45mm	076311	F2B-SCMED-45M	2.6	49.3	189.0	51.3	157.2	M16	16.0	14.0	61.7	115.8	51.6
211	1-15/16	076147	F2B-SCMED-115	6.7	2.22	8.63	2.28	7.25	5/8	0.67	0.68	2.71	5.25	2.27
	2	076148	F2B-SCMED-200	6.5	2.22	8.63	2.28	7.25	5/8	0.67	0.68	2.71	5.25	2.27
	50mm	076312	F2B-SCMED-50M	2.9	56.4	219.2	57.9	184.2	M16	17.0	17.3	68.8	133.4	57.7
212	2-3/16	076149	F2B-SCMED-203	7.4	2.31	9.81	2.38	7.96	5/8	0.81	0.66	2.97	5.50	2.47
	2-1/4	@	F2B-SCMED-204	7.2	2.31	9.81	2.38	7.96	5/8	0.81	0.66	2.97	5.50	2.47
	55mm	@	F2B-SCMED-55M	3.2	58.7	249.2	60.5	202.1	M22	20.6	16.8	75.4	139.7	62.7

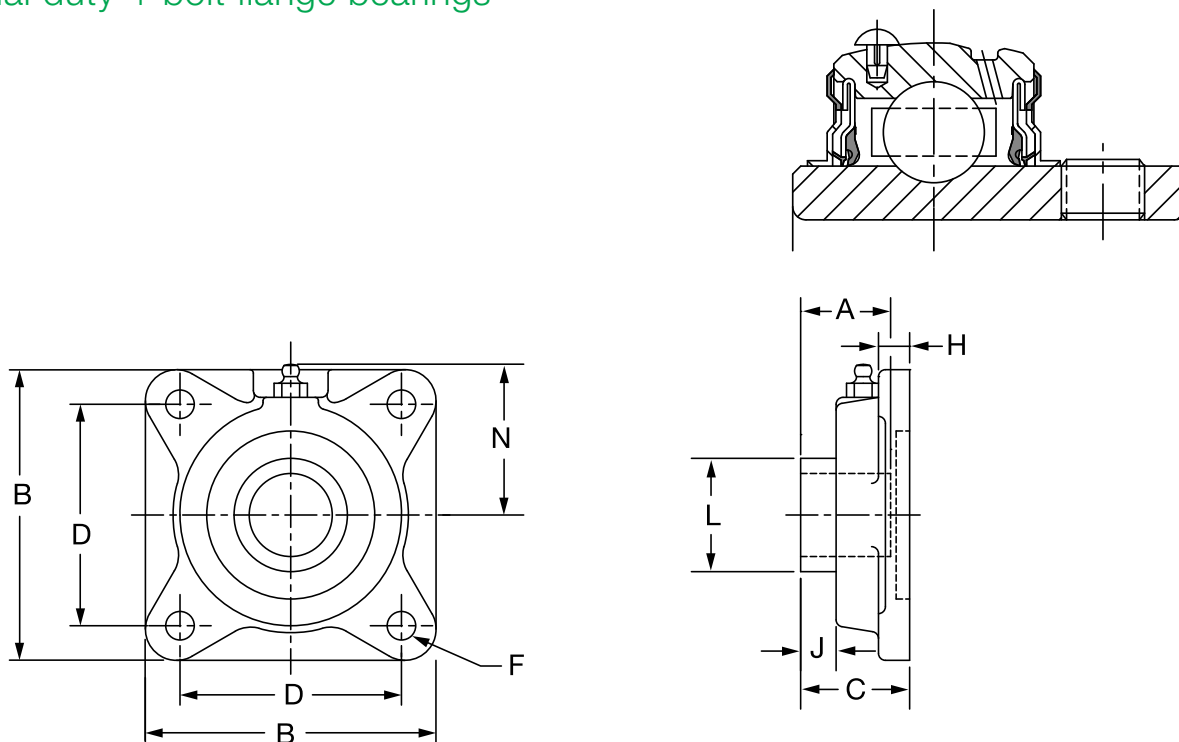
@ Assembled to order

Extreme Duty mounted ball bearings

Selection/Dimensions

Extreme Duty set screw mounted ball bearings

SCED normal duty 4-bolt flange bearings



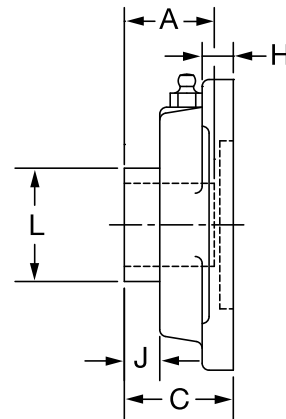
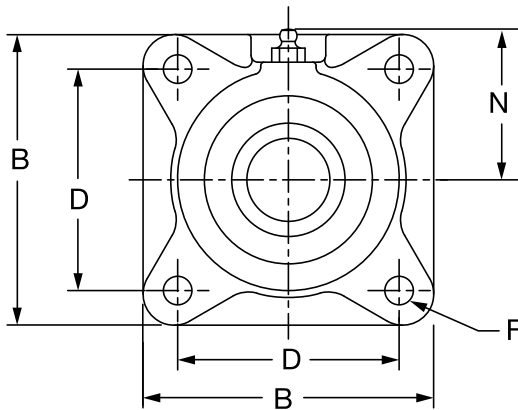
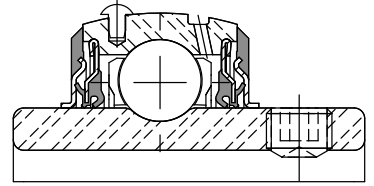
Series	Shaft size	Standard part no.	Description	Weights		A	B	C	D	F	H	J	L	N
				lb	kg									
204	1/2	@	F4B-SCED-008L	1.8	1.23	3.38	1.34	2.5	3/8	0.44	0.36	1.12	1.94	
	5/8	@	F4B-SCED-010L	1.7	1.23	3.38	1.34	2.5	3/8	0.44	0.36	1.12	1.94	
	3/4	076046	F4B-SCED-012	1.6	1.23	3.38	1.34	2.5	3/8	0.44	0.36	1.12	1.94	
	13/16	@	F4B-SCED-013	1.5	1.23	3.38	1.34	2.5	3/8	0.44	0.36	1.12	1.94	
	20mm	076246	F4B-SCED-20M	0.8	31.2	85.9	34.0	63.5	M10	11.2	9.1	28.4	49.3	
205	7/8	@	F4B-SCED-014	2.0	1.34	3.75	1.37	2.75	7/16	0.50	0.42	1.32	2.06	
	15/16	@	F4B-SCED-015	1.9	1.34	3.75	1.37	2.75	7/16	0.50	0.42	1.32	2.06	
	1	076047	F4B-SCED-100	1.8	1.34	3.75	1.37	2.75	7/16	0.50	0.42	1.32	2.06	
	25mm	076247	F4B-SCED-25M	0.9	34.0	95.3	34.8	69.9	M10	12.7	10.7	33.5	52.3	
206	1-1/16	@	F4B-SCED-101	2.9	1.52	4.25	1.56	3.25	7/16	0.50	0.49	1.57	2.19	
	1-1/8	076048	F4B-SCED-102	2.8	1.52	4.25	1.56	3.25	7/16	0.50	0.49	1.57	2.19	
	1-3/16	076049	F4B-SCED-103	2.7	1.52	4.25	1.56	3.25	7/16	0.50	0.49	1.57	2.19	
	1-1/4	076050	F4B-SCED-104S	2.6	1.52	4.25	1.56	3.25	7/16	0.50	0.49	1.57	2.19	
	30mm	076248	F4B-SCED-30M	1.3	38.6	108.0	39.6	82.6	M10	12.7	12.4	39.9	55.6	
207	1-1/4	076051	F4B-SCED-104	4.0	1.71	4.75	1.75	3.63	1/2	0.56	0.53	1.84	2.44	
	1-5/16	@	F4B-SCED-105	3.9	1.71	4.75	1.75	3.63	1/2	0.56	0.53	1.84	2.44	
	1-3/8	076052	F4B-SCED-106	3.8	1.71	4.75	1.75	3.63	1/2	0.56	0.53	1.84	2.44	
	1-7/16	076053	F4B-SCED-107	3.7	1.71	4.75	1.75	3.63	1/2	0.56	0.53	1.84	2.44	
	35mm	076249	F4B-SCED-35M	1.7	43.4	120.7	44.5	92.1	M12	14.2	13.5	46.7	62.0	
208	1-1/2	076054	F4B-SCED-108	4.8	1.94	5.13	1.98	4.00	1/2	0.56	0.63	2.05	2.38	
	1-5/8	@	F4B-SCED-110	4.7	1.94	5.13	1.98	4.00	1/2	0.56	0.63	2.05	2.38	
	40mm	076250	F4B-SCED-40M	2.1	49.3	130.3	50.0	101.6	M12	14.2	16.0	52.1	60.5	

@ Assembled to order

Extreme Duty mounted ball bearings

Selection/Dimensions

Extreme Duty set screw mounted ball bearings
 SCED normal duty 4-bolt flange bearings



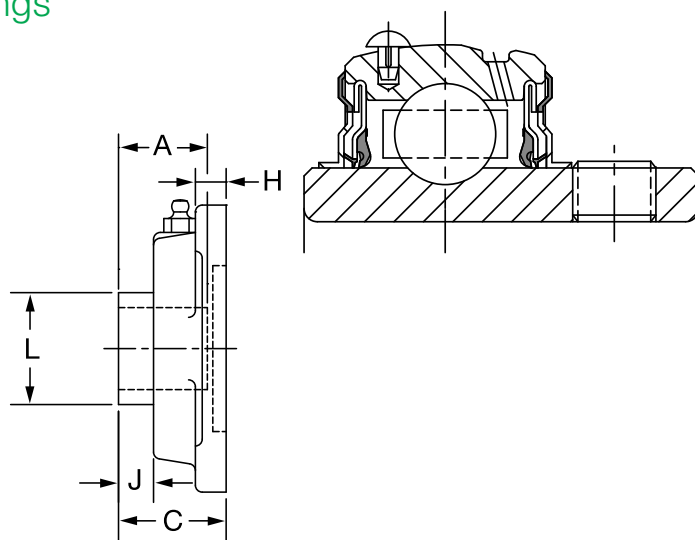
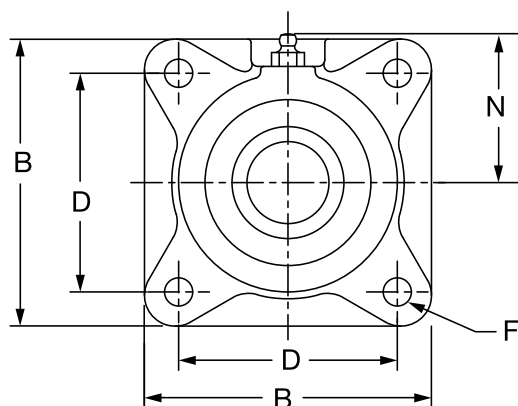
Series	Shaft size	Standard part no.	Description	Weight lb kg	A	B	C	D	F	H	J	L	N
209	1-5/8	075775	F4B-SCED-110L	6.1	1.94	5.38	1.99	4.13	1/2	0.63	0.59	2.22	2.75
	1-11/16	076055	F4B-SCED-111	6.0	1.94	5.38	1.99	4.13	1/2	0.63	0.59	2.22	2.75
	1-3/4	076056	F4B-SCED-112	5.9	1.94	5.38	1.99	4.13	1/2	0.63	0.59	2.22	2.75
	45mm	076251	F4B-SCED-45M	2.7	49.3	136.7	50.5	104.8	M14	16.0	15.0	56.4	69.9
210	1-15/16	076057	F4B-SCED-115	6.7	1.94	5.63	2.02	4.38	1/2	0.63	0.55	2.43	2.88
	2	076058	F4B-SCED-200	6.6	1.94	5.63	2.02	4.38	1/2	0.63	0.55	2.43	2.88
	50mm	076252	F4B-SCED-50M	3.0	49.3	143.0	51.3	111.1	M16	16.0	14.0	61.7	73.2
211	2	076157	F4B-SCMED-200	9.3	2.22	6.50	2.28	5.13	5/8	0.69	0.68	2.71	3.25
	2-3/16	076059	F4B-SCED-203	9.0	2.22	6.50	2.28	5.13	5/8	0.69	0.68	2.71	3.25
	2-1/4	@	F4B-SCED-204	8.9	2.22	6.50	2.28	5.13	5/8	0.69	0.68	2.71	3.25
	55mm	076253	F4B-SCED-55M	4.1	56.4	165.1	57.9	130.2	M16	17.5	17.3	68.8	82.6
212	2-1/4	076649	F4B-SCMED-204	11.1	2.31	6.88	2.38	5.63	5/8	0.69	0.66	2.97	3.50
	2-7/16	076060	F4B-SCED-207	10.6	2.31	6.88	2.38	5.63	5/8	0.69	0.66	2.97	3.50
	60mm	076254	F4B-SCED-60M	6.0	58.7	174.8	60.5	142.9	M16	17.5	16.8	75.4	88.9
214	2-1/2	076160	F4B-SCMED-208	16.0	2.54	7.38	2.78	5.88	5/8	0.69	0.60	3.31	3.69
	2-11/16	076061	F4B-SCED-211	15.4	2.54	7.38	2.78	5.88	5/8	0.69	0.60	3.31	3.69
	70mm	076255	F4B-SCED-70M	6.9	64.5	187.5	70.6	149.2	M16	17.5	15.2	84.1	93.7
215	2-15/16	076062	F4B-SCED-215	17.6	2.33	7.75	2.88	6.00	3/4	1.00	0.63	3.62	3.88
	75mm	076256	F4B-SCED-75M	8.0	59.2	196.9	73.2	152.4	M18	25.4	16.0	91.9	98.6

@ Assembled to order

Extreme Duty mounted ball bearings

Selection/Dimensions

Extreme Duty set screw mounted ball bearings
SCMED medium duty 4-bolt flange bearings



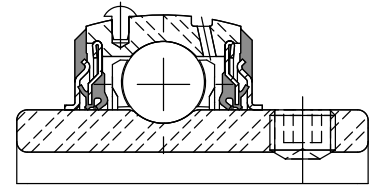
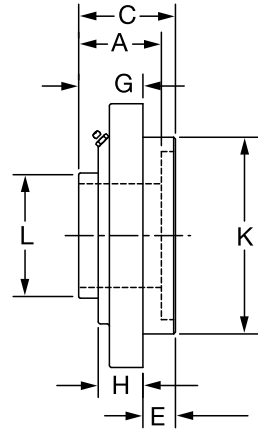
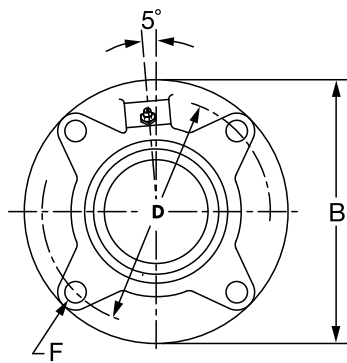
Series	Shaft size	Standard part no.	Description	Weight lb kg	A	B	C	D	F	H	J	L	N
206	1	076150	F4B-SCMED-100	3.0	1.52	4.25	1.56	3.25	7/16	0.50	0.49	1.57	2.19
	25mm	076313	F4B-SCMED-25M	1.3	38.6	108.0	39.6	82.6	M10	12.7	12.4	39.9	55.6
207	1-3/16	076151	F4B-SCMED-103	4.1	1.71	4.75	1.75	3.63	1/2	0.56	0.53	1.84	2.44
	1-1/4	@	F4B-SCMED104	4.0	1.71	4.75	1.75	3.63	1/2	0.56	0.53	1.84	2.44
	30mm	076314	F4B-SCMED-30M	1.4	43.4	120.7	44.5	92.1	M12	14.2	13.5	46.7	62.0
208	1-7/16	076152	F4B-SCMED-107	5.0	1.94	5.13	1.98	4.00	1/2	0.56	0.63	2.05	2.38
	35mm	076315	F4B-SCMED-35M	2.1	49.3	130.3	50.3	101.6	M12	14.2	16.0	52.1	60.5
209	1-1/2	076153	F4B-SCMED-108	6.1	1.94	5.38	1.99	4.13	1/2	0.63	0.59	2.22	2.75
	1-5/8	@	F4B-SCMED110L	6.1	1.94	5.38	1.99	4.13	1/2	0.63	0.59	2.22	2.75
	40mm	076316	F4B-SCMED-40M	2.7	49.3	136.7	50.5	104.8	M14	16.0	15.0	56.4	69.9
210	1-11/16	076154	F4B-SCMED-111	7.1	1.94	5.63	2.02	4.38	1/2	0.63	0.55	2.43	2.88
	1-3/4	076155	F4B-SCMED-112	6.9	1.94	5.63	2.02	4.38	1/2	0.63	0.55	2.43	2.88
	45mm	076317	F4B-SCMED-45M	3.0	49.3	143.0	51.3	111.1	M16	16.0	14.0	61.7	73.2
211	1-15/16	076156	F4B-SCMED-115	9.5	2.22	6.50	2.28	5.13	5/8	0.69	0.68	2.71	3.25
	2	076157	F4B-SCMED-200	9.3	2.22	6.50	2.28	5.13	5/8	0.69	0.68	2.71	3.25
	50mm	076318	F4B-SCMED-50M	4.1	56.4	165.1	57.9	130.2	M16	17.5	17.3	68.8	82.6
212	2-3/16	076158	F4B-SCMED-203	11.3	2.31	6.88	2.38	5.63	5/8	0.69	0.66	2.97	3.50
	2-1/4	076648	F4B-SCMED-204	11.1	2.31	6.88	2.38	5.63	5/8	0.69	0.66	2.97	3.50
	55mm	076319	F4B-SCMED-55M	6.0	58.7	174.8	60.5	142.9	M16	17.5	16.8	75.4	88.9
214	2-7/16	076159	F4B-SCMED-207	16.2	2.54	7.38	2.78	5.88	5/8	0.69	0.60	3.31	3.69
	2-1/2	076160	F4B-SCMED-208	16.0	2.54	7.38	2.78	5.88	5/8	0.69	0.60	3.31	3.69
	65mm	076320	F4B-SCMED-65M	7.3	64.5	187.5	70.6	149.2	M16	17.5	15.2	84.1	93.7
215	2-11/16	076161	F4B-SCMED-211	18.3	2.33	7.75	2.88	6.00	3/4	1.00	0.63	3.62	3.88
	70mm	076321	F4B-SCMED-70M	8.0	59.2	196.9	73.2	152.4	M18	25.4	16.0	91.9	98.6
216	2-15/16	076162	F4B-SCMED-215	21.5	2.38	7.75	3.09	6.00	3/4	0.88	0.59	3.83	4.09
	3	076163	F4B-SCMED-300	21.2	2.38	7.75	3.09	6.00	3/4	0.88	0.59	3.83	4.09
	75mm	076322	F4B-SCMED-75M	9.4	60.5	196.9	78.5	152.4	M18	22.4	15.0	97.3	103.9
218	3-7/16	076164	F4B-SCMED-307	28.0	2.56	8.44	3.38	6.75	3/4	1.00	0.60	4.35	4.63
	3-1/2	076165	F4B-SCMED-308	27.4	2.56	8.44	3.38	6.75	3/4	1.00	0.60	4.35	4.63
	85mm	076323	F4B-SCMED-85M	12.2	65.0	214.4	85.9	171.5	M18	25.4	15.2	110.5	117.6

@ Assembled to order

Extreme Duty mounted ball bearings

Selection/Dimensions

Extreme Duty set screw mounted ball bearings
 SCED normal duty piloted flange bearings



Series	Shaft size	Part no.	Description	Weight lb kg	A	B	C	D	E	F bolt dia.	G	H	K*	L
206	1-1/16	@	FC-SCED-101	3.2	1.52	4.38	1.53	3.63	0.25	3/8	1.28	0.81	3.000/2.998	1.57
	1-1/8	@	FC-SCED-102	3.1	1.52	4.38	1.53	3.63	0.25	3/8	1.28	0.81	3.000/2.998	1.57
	1-3/16	076063	FC-SCED-103	3.0	1.52	4.38	1.53	3.63	0.25	3/8	1.28	0.81	3.000/2.998	1.57
	1-1/4	076064	FC-SCED-104S	2.9	1.52	4.38	1.53	3.63	0.25	3/8	1.28	0.81	3.000/2.998	1.57
	30mm	076257	FC-SCED-30M	7.3	38.6	111.3	38.9	92.2	6.4	M10	32.5	20.6	76.20/76.15	39.9
207	1-1/4	076065	FC-SCED-104	4.2	1.71	5.00	1.78	4.13	0.38	3/8	1.40	0.84	3.375/3.373	1.84
	1-5/16	@	FC-SCED-105	4.1	1.71	5.00	1.78	4.13	0.38	3/8	1.40	0.84	3.375/3.373	1.84
	1-3/8	076066	FC-SCED-106	4.0	1.71	5.00	1.78	4.13	0.38	3/8	1.40	0.84	3.375/3.373	1.84
	1-7/16	076067	FC-SCED-107	3.9	1.71	5.00	1.78	4.13	0.38	3/8	1.40	0.84	3.375/3.373	1.84
	35mm	076258	FC-SCED-35M	1.8	43.4	127.0	45.2	104.9	9.7	M10	35.6	21.3	85.73/85.67	46.7
208	1-1/2	076068	FC-SCED-108	4.6	1.94	5.25	1.98	4.38	0.44	7/16	1.54	0.89	3.625/3.623	2.05
	1-5/8	@	FC-SCED-110	4.5	1.94	5.25	1.98	4.38	0.44	7/16	1.54	0.89	3.625/3.623	2.05
	40mm	076259	FC-SCED-40M	2.0	49.3	133.4	50.3	111.3	11.2	M12	39.1	22.6	92.08/92.02	52.1
209	1-5/8	@	FC-SCED-110L	5.6	1.94	5.75	1.95	4.75	0.44	1/2	1.51	0.91	4.000/3.998	2.22
	1-11/16	076069	FC-SCED-111	5.5	1.94	5.75	1.95	4.75	0.44	1/2	1.51	0.91	4.000/3.998	2.22
	1-3/4	076070	FC-SCED-112	5.4	1.94	5.75	1.95	4.75	0.44	1/2	1.51	0.91	4.000/3.998	2.22
	45mm	076260	FC-SCED-45M	2.4	49.3	146.1	49.5	120.7	11.2	M12	38.4	23.1	101.60/101.55	56.4
210	1-15/16	076071	FC-SCED-115	6.4	1.94	6.13	1.98	5.13	0.47	1/2	1.51	0.92	4.250/4.248	2.43
	2	076072	FC-SCED-200	6.3	1.94	6.13	1.98	5.13	0.47	1/2	1.51	0.92	4.250/4.248	2.43
	50mm	076261	FC-SCED-50M	2.9	49.3	155.7	50.3	130.3	11.9	M12	38.4	23.4	107.95/107.90	61.7
211	2	076163	FC-SCMED-200	7.3	2.22	6.38	2.35	5.38	0.63	1/2	1.72	1.00	4.500/4.498	2.71
	2-3/16	076073	FC-SCED-203	7.2	2.22	6.38	2.35	5.38	0.63	1/2	1.72	1.00	4.500/4.498	2.71
	2-1/4	@	FC-SCED-204	7.1	2.22	6.38	2.35	5.38	0.63	1/2	1.72	1.00	4.500/4.498	2.71
	55mm	076262	FC-SCED-55M	3.3	56.4	162.1	59.7	136.7	16.0	M12	43.7	25.4	114.30/114.25	68.8
212	2-1/4	@	FC-SCMED-204	9.6	2.31	7.13	2.54	6.00	0.88	1/2	1.67	1.00	5.000/4.998	2.97
	2-7/16	076074	FC-SCED-207	9.5	2.31	7.13	2.54	6.00	0.88	1/2	1.67	1.00	5.000/4.998	2.97
	60mm	076263	FC-SCED-60M	4.3	58.7	181.1	64.5	152.4	22.4	M12	42.4	25.4	127.00/126.95	75.4
214	2-1/2	076176	FC-SCMED-208	13.0	2.54	7.63	2.80	6.50	1.13	1/2	1.67	1.06	5.500/5.498	3.31
	2-11/16	076075	FC-SCED-211	12.9	2.54	7.63	2.80	6.50	1.13	1/2	1.67	1.06	5.500/5.498	3.31
	70mm	076264	FC-SCED-70M	5.5	64.5	193.8	71.1	165.1	28.7	M12	42.4	26.9	139.70/139.65	84.1

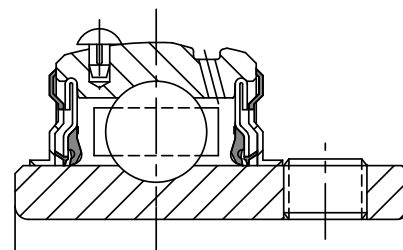
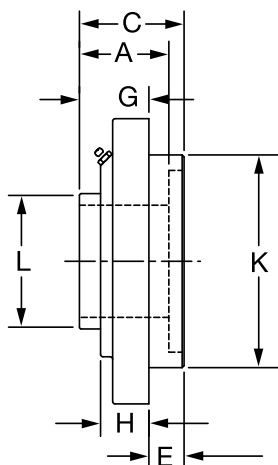
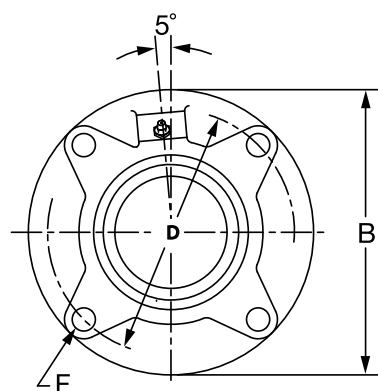
@ Assembled to order

Extreme Duty mounted ball bearings

Selection/Dimensions

Extreme Duty set screw mounted ball bearings

SCMED medium duty piloted flange bearings



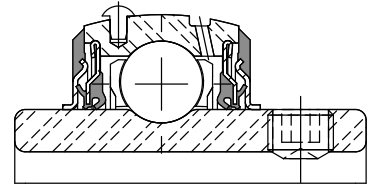
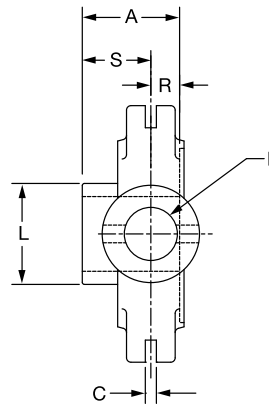
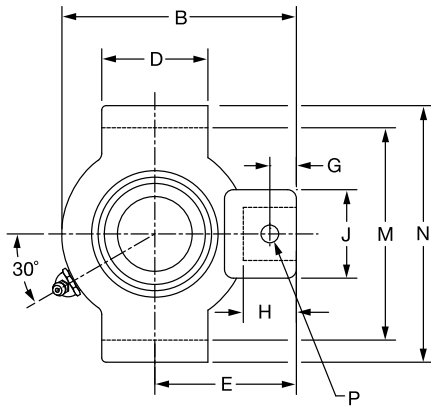
Series	Shaft size	Part no.	Description	Weight lb kg	A	B	C	D	E	F bolt dia.	G	H	K	L
206	1	076166	FC-SCMED-100	3.3	1.52	4.38	1.53	3.63	0.25	3/8	1.28	0.81	3.000/2.998	1.57
	25mm	076324	FC-SCMED-25M	1.4	38.6	111.3	38.9	92.2	6.4	M10	32.5	20.6	76.20/76.15	39.9
207	1-3/16	076167	FC-SCMED-103	4.2	1.71	5.00	1.78	4.13	0.38	3/8	1.40	0.84	3.375/3.373	1.84
	1-1/4	076065	FC-SCMED-104	4.2	1.71	5.00	1.78	4.13	0.38	3/8	1.40	0.84	3.375/3.373	1.84
	30mm	076325	FC-SCMED-30M	1.9	43.4	127.0	45.2	104.9	9.7	M10	35.6	21.3	85.73/85.67	46.7
208	1-7/16	076168	FC-SCMED-107	4.8	1.94	5.25	1.98	4.38	0.44	7/16	1.54	0.89	3.625/3.623	2.05
	35mm	076326	FC-SCMED-35M	2.1	49.3	133.4	50.3	111.3	11.2	M12	39.1	22.6	92.08/92.02	52.1
209	1-1/2	076169	FC-SCMED-108	5.6	1.94	5.75	1.95	4.75	0.44	1/2	1.51	0.91	4.000/3.998	2.22
	1-5/8	@	FC-SCMED-110L	5.6	1.94	5.75	1.95	4.75	0.44	1/2	1.51	0.91	4.000/3.998	2.22
	40mm	076327	FC-SCMED-40M	2.5	49.3	146.1	49.5	120.7	11.2	M12	38.4	23.1	101.60/101.55	56.4
210	1-11/16	076170	FC-SCMED-111	6.4	1.94	6.13	1.98	5.13	0.47	1/2	1.51	0.92	4.250/4.248	2.43
	1-3/4	076171	FC-SCMED-112	6.3	1.94	6.13	1.98	5.13	0.47	1/2	1.51	0.92	4.250/4.248	2.43
	45mm	076328	FC-SCMED-45M	2.9	49.3	155.7	50.3	130.3	11.9	M12	38.4	23.4	107.95/107.90	61.7
211	1-15/16	076172	FC-SCMED-115	7.6	2.22	6.38	2.35	5.38	0.63	1/2	1.72	1.00	4.500/4.498	2.71
	2	076173	FC-SCMED-200	7.4	2.22	6.38	2.35	5.38	0.63	1/2	1.72	1.00	4.500/4.498	2.71
	50mm	076329	FC-SCMED-50M	3.4	56.4	162.1	59.7	136.7	16.0	M12	43.7	25.4	114.30/114.25	68.8
212	2-3/16	076174	FC-SCMED-203	9.5	2.31	7.13	2.54	6.00	0.88	1/2	1.67	1.00	5.000/4.998	2.97
	2-1/4	@	FC-SCMED-204	9.8	2.31	7.13	2.54	6.00	0.88	1/2	1.67	1.00	5.000/4.998	2.97
	55mm	076330	FC-SCMED-55M	4.4	58.7	181.1	64.5	152.4	22.4	M12	42.4	25.4	127.00/126.95	75.4
214	2-7/16	076175	FC-SCMED-207	13.2	2.54	7.63	2.80	6.50	1.13	1/2	1.67	1.06	5.500/5.498	3.31
	2-1/2	076176	FC-SCMED-208	13.0	2.54	7.63	2.80	6.50	1.13	1/2	1.67	1.06	5.500/5.498	3.31
	65mm	076331	FC-SCMED-65M	5.9	64.5	193.8	71.1	165.1	28.7	M12	42.4	26.9	139.70/139.65	84.1
216	2-15/16	076177	FC-SCMED-215	18.8	2.38	8.75	3.02	7.50	1.25	5/8	1.77	1.19	6.375/6.373	3.83
	3	076178	FC-SCMED-300	18.6	2.38	8.75	3.02	7.50	1.25	5/8	1.77	1.19	6.375/6.373	3.83
	75mm	076332	FC-SCMED-75M	8.5	60.5	222.3	76.7	190.5	31.8	M16	45.0	30.2	161.93/161.87	97.3
218	3-7/16	076179	FC-SCMED-307	28.7	2.56	10.25	3.33	8.38	1.13	3/4	2.21	1.63	7.375/7.373	4.35
	3-1/2	076180	FC-SCMED-308	28.5	2.56	10.25	3.33	8.38	1.13	3/4	2.21	1.63	7.375/7.373	4.35
	85mm	076333	FC-SCMED-85M	13.5	65.0	260.4	84.6	212.9	28.6	M18	56.1	41.4	187.33/187.27	110.5

@ Assembled to order

Extreme Duty mounted ball bearings

Selection/Dimensions

Extreme Duty set screw mounted ball bearings
 SCED normal duty narrow slot take-up bearings



Series	Shaft size	Part no.	Description	Weight lb kg	Take-up frame no. ref.	A	B	C	D	E	F screw dia.	G
204	1/2	@	NSTU-SCED-008	1.6	NS210	1.23	3.50	0.250	1.50	2.19	3/4	0.44
	5/8	@	NSTU-SCED-010	1.5	NS210	1.23	3.50	0.250	1.50	2.19	3/4	0.44
	3/4	076076	NSTU-SCED-012	1.4	NS210	1.23	3.50	0.250	1.50	2.19	3/4	0.44
	20mm	076265	NSTU-SCED-20M	0.8	NS210	31.2	88.9	6.35	38.1	55.6	19.1	11.2
205	7/8	@	NSTU-SCED-014	1.7	NS210	1.34	3.56	0.250	1.50	2.19	3/4	0.44
	15/16	@	NSTU-SCED-015	1.6	NS210	1.34	3.56	0.250	1.50	2.19	3/4	0.44
	1	076077	NSTU-SCED-100	1.5	NS210	1.34	3.56	0.250	1.50	2.19	3/4	0.44
	25mm	076266	NSTU-SCED-25M	0.7	NS210	34.0	90.4	6.35	38.1	55.6	19.1	11.2
206	1-1/16	@	NSTU-SCED-101	2.9	NS308	1.52	4.31	0.250	1.50	2.69	3/4	0.44
	1-1/8	076078	NSTU-SCED-102	2.8	NS308	1.52	4.31	0.250	1.50	2.69	3/4	0.44
	1-3/16	076079	NSTU-SCED-103	2.7	NS308	1.52	4.31	0.250	1.50	2.69	3/4	0.44
	1-1/4	076080	NSTU-SCED-104S	2.6	NS308	1.52	4.31	0.250	1.50	2.69	3/4	0.44
	30mm	076267	NSTU-SCED-30M	1.2	NS308	38.6	109.5	6.35	38.1	68.3	19.1	11.2
207	1-1/4	076081	NSTU-SCED-104	2.8	NS308	1.71	4.50	0.250	2.50	2.69	3/4	0.50
	1-5/16	@	NSTU-SCED-105	2.7	NS308	1.71	4.50	0.250	2.50	2.69	3/4	0.50
	1-3/8	076082	NSTU-SCED-106	2.6	NS308	1.71	4.50	0.250	2.50	2.69	3/4	0.50
	1-7/16	076083	NSTU-SCED-107	2.5	NS308	1.71	4.50	0.250	2.50	2.69	3/4	0.50
	35mm	076268	NSTU-SCED-35M	1.2	NS308	43.4	114.3	6.35	63.5	68.3	19.1	12.7

@ Assembled to order

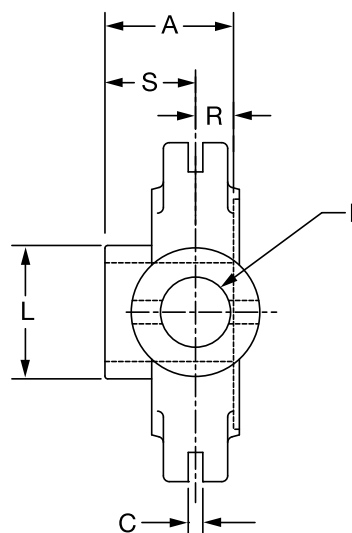
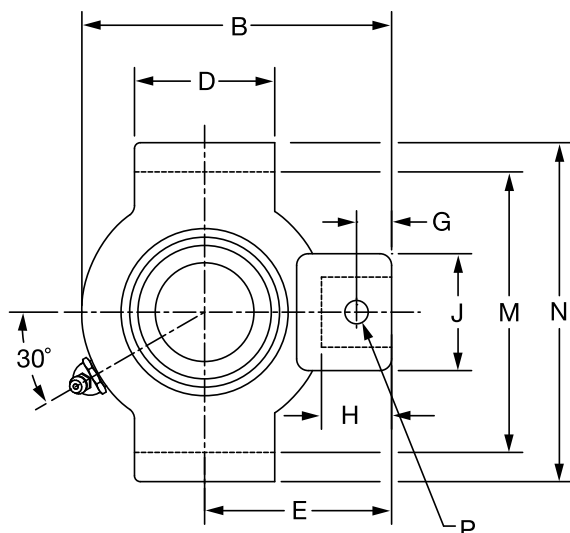
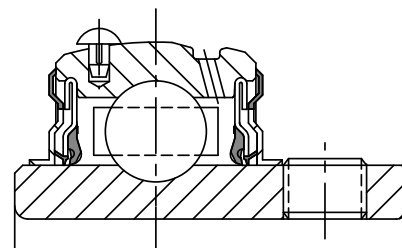
See B15-9 for take-up Frames

Series	Shaft size	H	J	L	M	N	P pin dia.	R	S
204	1/2	0.88	1.38	1.12	2.635/2.605	3.13	0.32	0.50	0.73
	5/8	0.88	1.38	1.12	2.635/2.605	3.13	0.32	0.50	0.73
	3/4	0.88	1.38	1.12	2.635/2.605	3.13	0.32	0.50	0.73
	20mm	22.4	35.1	28.4	66.93/66.17	79.5	8.1	12.7	18.5
205	7/8	0.88	1.38	1.32	2.635/2.605	3.13	0.32	0.56	0.78
	15/16	0.88	1.38	1.32	2.635/2.605	3.13	0.32	0.56	0.78
	1	0.88	1.38	1.32	2.635/2.605	3.13	0.32	0.56	0.78
	25mm	22.4	35.1	33.5	66.93/66.17	79.5	8.1	14.2	19.8
206	1-1/16	0.88	1.38	1.57	2.635/2.605	3.13	0.32	0.58	0.94
	1-1/8	0.88	1.38	1.57	2.635/2.605	3.13	0.32	0.58	0.94
	1-3/16	0.88	1.38	1.57	2.635/2.605	3.13	0.32	0.58	0.94
	1-1/4	0.88	1.38	1.57	2.635/2.605	3.13	0.32	0.58	0.94
	30mm	22.4	35.1	39.9	66.93/66.17	79.5	8.1	14.7	23.9
207	1-1/4	0.94	1.38	1.84	3.510/3.480	4.13	0.32	0.67	1.04
	1-5/16	0.94	1.38	1.84	3.510/3.480	4.13	0.32	0.67	1.04
	1-3/8	0.94	1.38	1.84	3.510/3.480	4.13	0.32	0.67	1.04
	1-7/16	0.94	1.38	1.84	3.510/3.480	4.13	0.32	0.67	1.04
	35mm	23.9	35.1	46.7	89.15/88.39	104.9	8.1	17.0	26.4

Extreme Duty mounted ball bearings

Selection/Dimensions

Extreme Duty set screw mounted ball bearings
 SCED normal duty narrow slot take-up bearings



Series	Shaft size	Standard part no.	Description
208	1-1/2	076084	NSTU-SCED-108
	1-5/8	@	NSTU-SCED-110
	40mm	076269	NSTU-SCED-40M
209	1-5/8	@	NSTU-SCED-110L
	1-11/16	076085	NSTU-SCED-111
	1-3/4	076086	NSTU-SCED-112
210	45mm	076270	NSTU-SCED-45M
	1-15/16	076087	NSTU-SCED-115
	2	076088	NSTU-SCED-200
211	50mm	076271	NSTU-SCED-50M
	2	076188	NSTU-SCMED-200
	2-3/16	076089	NSTU-SCED-203
212	2-1/4	077462	NSTU-SCED-204
	55mm	076272	NSTU-SCED-55M
	2-1/4	@	NSTU-SCMED-204
	2-7/16	076090	NSTU-SCED-207
	60mm	076273	NSTU-SCED-60M

@ Assembled to order

See B15-9 for take-up Frames

Extreme Duty mounted ball bearings

Selection/Dimensions

Extreme Duty set screw mounted ball bearings
 SCED normal duty narrow slot take-up bearings

Series	Shaft size	Weight lb kg	Take-up frame no. ref.	A	B	C	D	E	F screw dia.	G
208	1-1/2	4.7	NS400	1.94	5.38	0.313	3.00	3.25	7/8	0.66
	1-5/8	4.6	NS400	1.94	5.38	0.313	3.00	3.25	7/8	0.66
	40mm	2.1	NS400	49.3	136.7	7.95	76.2	82.6	22.2	16.8
209	1-5/8	4.9	NS400	1.94	5.44	0.313	3.00	3.25	7/8	0.72
	1-11/16	4.8	NS400	1.94	5.44	0.313	3.00	3.25	7/8	0.72
	1-3/4	4.7	NS400	1.94	5.44	0.313	3.00	3.25	7/8	0.72
	45mm	2.1	NS400	49.3	138.2	7.95	76.2	82.6	22.2	18.3
210	1-15/16	4.9	NS400	1.94	5.50	0.313	3.00	3.25	7/8	0.59
	2	4.8	NS400	1.94	5.50	0.313	3.00	3.25	7/8	0.59
	50mm	2.2	NS400	49.3	139.7	7.95	76.2	82.6	22.2	15.0
211	2	6.8	NS407	2.22	6.13	0.313	3.50	3.63	1	0.69
	2-3/16	6.6	NS407	2.22	6.13	0.313	3.50	3.63	1	0.69
	2-1/4	6.5	NS407	2.22	6.13	0.313	3.50	3.63	1	0.69
	55mm	3.0	NS407	56.4	155.7	7.95	88.9	92.2	25.4	17.5
212	2-1/4	8.7	NS415	2.31	6.69	0.313	3.75	3.88	1	0.69
	2-7/16	8.4	NS415	2.31	6.69	0.313	3.75	3.88	1	0.69
	60mm	4.9	NS415	58.7	169.9	7.95	95.3	98.6	25.4	17.5

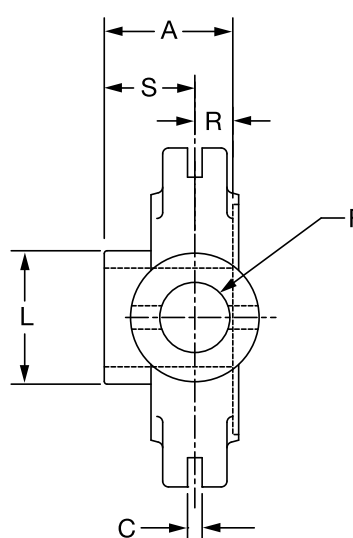
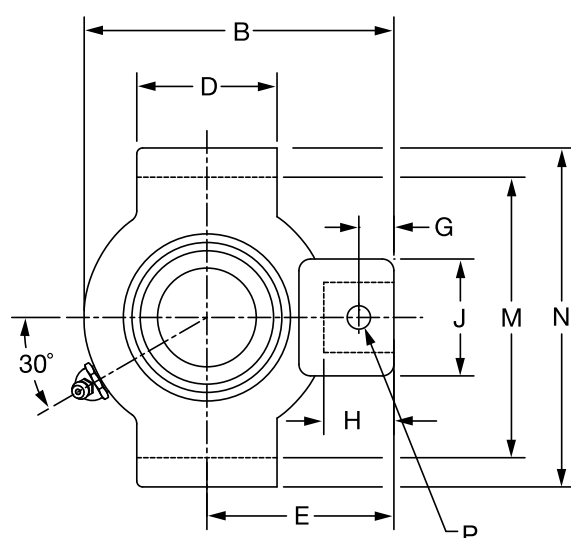
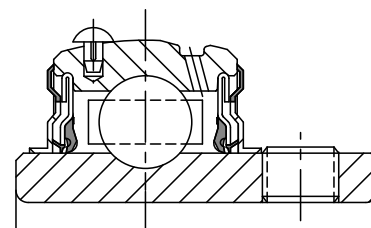
Series	Shaft size	H	J	L	M	N	P pin dia.	R	S
208	1-1/2	1.16	1.63	2.05	4.015/3.985	4.75	0.38	0.75	1.19
	1-5/8	1.16	1.63	2.05	4.015/3.985	4.75	0.38	0.75	1.19
	40mm	29.5	41.4	52.1	101.98/101.22	120.7	9.7	19.1	30.2
209	1-5/8	1.22	1.63	2.22	4.015/3.985	4.75	0.38	0.75	1.19
	1-11/16	1.22	1.63	2.22	4.015/3.985	4.75	0.38	0.75	1.19
	1-3/4	1.22	1.63	2.22	4.015/3.985	4.75	0.38	0.75	1.19
	45mm	31.0	41.4	56.4	101.98/101.22	120.7	9.7	19.1	30.2
210	1-15/16	1.09	1.63	2.43	4.015/3.985	4.75	0.38	0.75	1.19
	2	1.09	1.63	2.43	4.015/3.985	4.75	0.38	0.75	1.19
	50mm	27.7	41.4	61.7	101.98/101.22	120.7	9.7	19.1	30.2
211	2	1.28	1.75	2.71	4.448/4.418	5.38	0.44	0.87	1.35
	2-3/16	1.28	1.75	2.71	4.448/4.418	5.38	0.44	0.87	1.35
	2-1/4	1.28	1.75	2.71	4.448/4.418	5.38	0.44	0.87	1.35
	55mm	32.5	44.5	68.8	112.98/112.22	136.7	11.2	22.1	34.3
212	2-1/4	1.28	1.63	2.97	4.947/4.917	5.75	0.44	0.90	1.41
	2-7/16	1.28	1.63	2.97	4.947/4.917	5.75	0.44	0.90	1.41
	60mm	32.5	41.4	75.4	125.65/124.89	146.1	11.2	22.9	35.8

Extreme Duty mounted ball bearings

Selection/Dimensions

Extreme Duty set screw mounted ball bearings

SCMED medium duty narrow slot take-up bearings



Series	Shaft size	Part no.	Description
206	1	076181	NSTU-SCMED-100
	25mm	076410	NSTU-SCMED-25M
207	1-3/16	076182	NSTU-SCMED-103
	1-1/4	076081	NSTU-SCMED-104
	30mm	076411	NSTU-SCMED-30M
208	1-7/16	076183	NSTU-SCMED-107
	35mm	076412	NSTU-SCMED-35M
209	1-1/2	076184	NSTU-SCMED-108
	1-5/8	@	NSTU-SCMED-110L
	40mm	076413	NSTU-SCMED-40M
210	1-11/16	076185	NSTU-SCMED-111
	1-3/4	076186	NSTU-SCMED-112
	45mm	076414	NSTU-SCMED-45M
211	1-15/16	076187	NSTU-SCMED-115
	2	076188	NSTU-SCMED-200
	50mm	076415	NSTU-SCMED-50M
212	2-3/16	076189	NSTU-SCMED-203
	2-1/4	@	NSTU-SCMED-204
	55mm	076416	NSTU-SCMED-55M

@ Assembled to order

Extreme Duty mounted ball bearings

Selection/Dimensions

Extreme Duty set screw mounted ball bearings
SCMED medium duty narrow slot take-up bearings

Series	Shaft size	Weight lb kg	Take-up frame no. ref.	A	B	C	D	E	F screw dia.	G
206	1	3.0	NS308	1.52	4.31	0.250	1.50	2.69	3/4	0.44
	25mm	1.2	NS308	38.6	109.5	6.35	38.1	68.3	19.1	11.2
207	1-3/16	2.9	NS308	1.71	4.50	0.250	2.50	2.69	3/4	0.50
	1-1/4	2.8	NS308	1.71	4.50	0.250	2.50	2.69	3/4	0.50
	30mm	1.3	NS308	43.4	114.3	6.35	63.5	68.3	19.1	12.7
208	1-7/16	4.7	NS400	1.94	5.38	0.313	3.00	3.25	7/8	0.66
	35mm	2.2	NS400	49.3	136.7	7.95	76.2	82.6	22.2	16.8
209	1-1/2	5.0	NS400	1.94	5.44	0.313	3.00	3.25	7/8	0.72
	1-5/8	4.9	NS400	1.94	5.44	0.313	3.00	3.25	7/8	0.72
	40mm	2.3	NS400	49.3	138.2	7.95	76.2	82.6	22.2	18.3
210	1-11/16	5.3	NS400	1.94	5.50	0.313	3.00	3.25	7/8	0.59
	1-3/4	5.2	NS400	1.94	5.50	0.313	3.00	3.25	7/8	0.59
	45mm	2.4	NS400	49.3	139.7	7.95	76.2	82.6	22.2	15.0
211	1-15/16	7.0	NS407	2.22	6.13	0.313	3.50	3.63	1	0.69
	2	6.8	NS407	2.22	6.13	0.313	3.50	3.63	1	0.69
	50mm	3.2	NS407	56.4	155.7	7.95	88.9	92.2	25.4	17.5
212	2-3/16	8.9	NS415	2.31	6.69	0.313	3.75	3.88	1	0.69
	2-1/4	8.7	NS415	2.31	6.69	0.313	3.75	3.88	1	0.69
	55mm	4.0	NS415	58.7	169.9	7.95	95.3	98.6	25.4	17.5

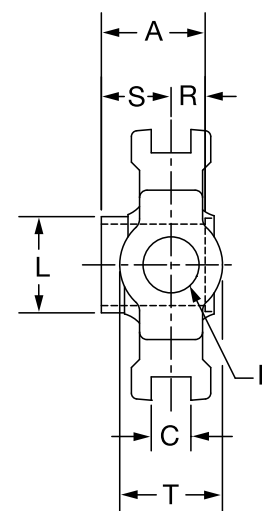
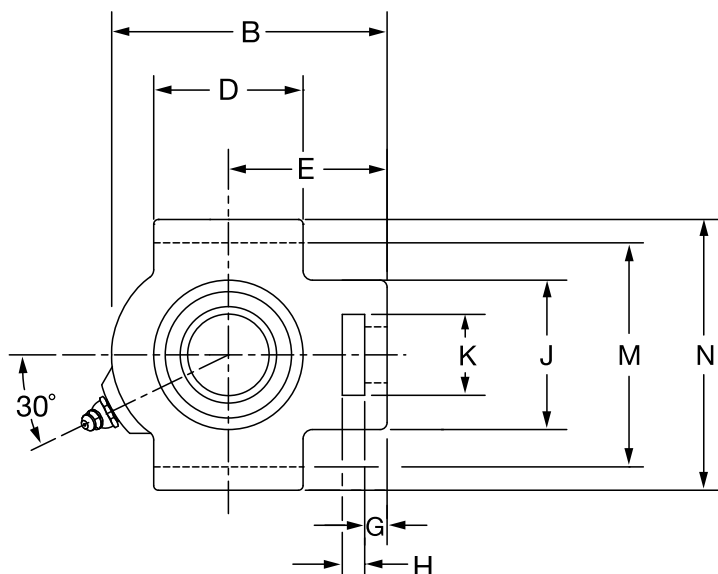
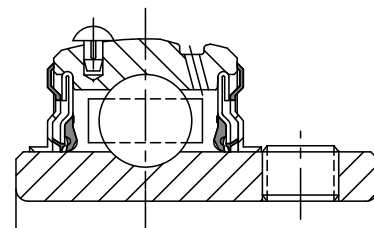
Series	Shaft size	H	J	L	M	N	P pin dia.	R	S
206	1	0.88	1.38	1.57	2.635/2.605	3.13	0.32	0.58	0.94
	25mm	22.4	35.1	39.9	66.93/66.17	79.5	8.1	14.7	23.9
207	1-3/16	0.94	1.38	1.84	3.510/3.480	4.13	0.32	0.67	1.04
	1-1/4	0.94	1.38	1.84	3.510/3.480	4.13	0.32	0.67	1.04
	30mm	23.9	35.1	46.7	89.15/88.39	104.9	8.1	17.0	26.4
208	1-7/16	1.16	1.63	2.05	4.015/3.985	4.75	0.38	0.75	1.19
	35mm	29.5	41.4	52.1	101.98/101.22	120.7	9.7	19.1	30.2
209	1-1/2	1.22	1.63	2.22	4.015/3.985	4.75	0.38	0.75	1.19
	1-5/8	1.22	1.63	2.22	4.015/3.985	4.75	0.38	0.75	1.19
	40mm	31.0	41.4	56.4	101.98/101.22	120.7	9.7	19.1	30.2
210	1-11/16	1.09	1.63	2.43	4.015/3.985	4.75	0.38	0.75	1.19
	1-3/4	1.09	1.63	2.43	4.015/3.985	4.75	0.38	0.75	1.19
	45mm	27.7	41.4	61.7	101.98/101.22	120.7	9.7	19.1	30.2
211	1-15/16	1.28	1.75	2.71	4.448/4.418	5.38	0.44	0.87	1.35
	2	1.28	1.75	2.71	4.448/4.418	5.38	0.44	0.87	1.35
	50mm	32.5	44.5	68.8	112.98/112.22	136.7	11.2	22.1	34.3
212	2-3/16	1.28	1.63	2.97	4.947/4.917	5.75	0.44	0.90	1.41
	2-1/4	1.28	1.63	2.97	4.947/4.917	5.75	0.44	0.90	1.41
	55mm	32.5	41.4	75.4	125.65/124.89	146.1	11.2	22.9	35.8

Extreme Duty mounted ball bearings

Selection/Dimensions

Extreme Duty set screw mounted ball bearings

SCED normal duty wide slot take-up bearings



Series	Shaft size	Standard part no.	Description
204	1/2	@	WSTU-SCED-008
	5/8	@	WSTU-SCED-010
	3/4	076091	WSTU-SCED-012
	20mm	076274	WSTU-SCED-20M
205	7/8	@	WSTU-SCED-014
	15/16	@	WSTU-SCED-015
	1	076092	WSTU-SCED-100
	25mm	076275	WSTU-SCED-25M
206	1-1/16	@	WSTU-SCED-101
	1-1/8	076093	WSTU-SCED-102
	1-3/16	076094	WSTU-SCED-103
	1-1/4	076095	WSTU-SCED-104S
	30mm	076276	WSTU-SCED-30M
207	1-1/4	076096	WSTU-SCED-104
	1-5/16	@	WSTU-SCED-105
	1-3/8	076097	WSTU-SCED-106
	1-7/16	076098	WSTU-SCED-107
	35mm	076277	WSTU-SCED-35M
208	1-1/2	076099	WSTU-SCED-108
	1-5/8	@	WSTU-SCED-110
	40mm	076278	WSTU-SCED-40M

@ Assembled to order

Extreme Duty mounted ball bearings

Selection/Dimensions

Extreme Duty set screw mounted ball bearings
 SCED normal duty wide slot take-up bearings

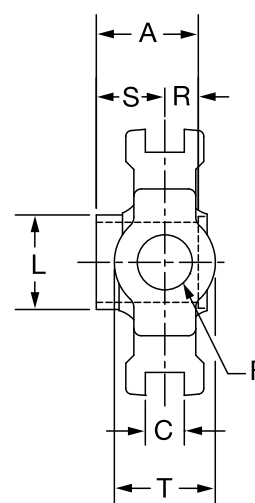
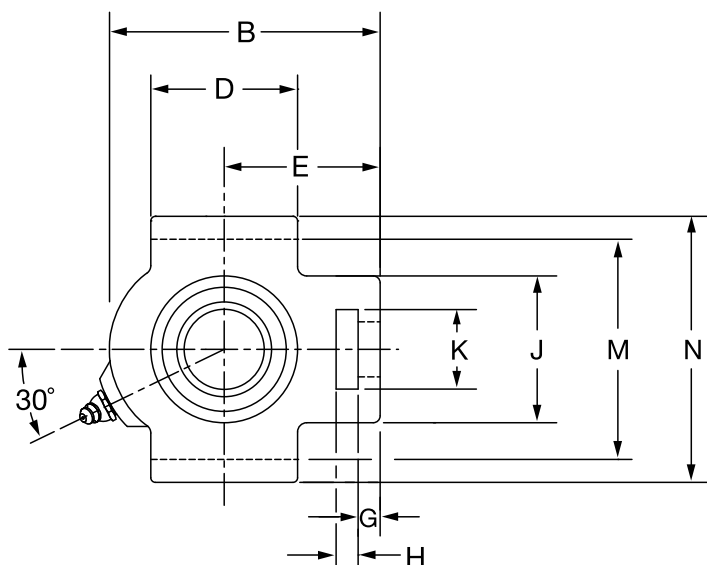
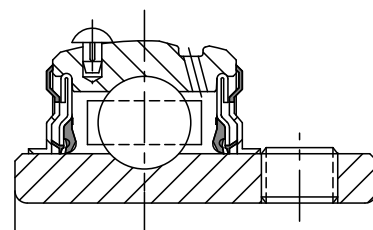
Series	Shaft size	Weight lb kg	Take-up frame size	A	B	C	D	E	F Screw Dia.	G
204	1/2	2.1	WS300	1.23	3.69	0.531	2.00	2.38	5/8	0.38
	5/8	2.0	WS300	1.23	3.69	0.531	2.00	2.38	5/8	0.38
	3/4	1.9	WS300	1.23	3.69	0.531	2.00	2.38	5/8	0.38
	20mm	0.9	WS300	31.2	93.7	13.49	50.8	60.5	15.9	9.7
205	7/8	2.2	WS300	1.34	3.81	0.531	2.00	2.44	5/8	0.38
	15/16	2.1	WS300	1.34	3.81	0.531	2.00	2.44	5/8	0.38
	1	2.0	WS300	1.34	3.81	0.531	2.00	2.44	5/8	0.38
	25mm	1.0	WS300	34.0	96.8	13.49	50.8	62.0	15.9	9.7
206	1-1/16	3.1	WS308	1.52	4.38	0.531	2.25	2.75	3/4	0.38
	1-1/8	3.0	WS308	1.52	4.38	0.531	2.25	2.75	3/4	0.38
	1-3/16	2.9	WS308	1.52	4.38	0.531	2.25	2.75	3/4	0.38
	1-1/4	2.8	WS308	1.52	4.38	0.531	2.25	2.75	3/4	0.38
	30mm	1.3	WS308	38.6	111.3	13.49	57.2	69.9	19.1	9.7
207	1-1/4	3.8	WS308	1.71	4.87	0.531	2.50	3.06	3/4	0.50
	1-5/16	3.7	WS308	1.71	4.87	0.531	2.50	3.06	3/4	0.50
	1-3/8	3.6	WS308	1.71	4.87	0.531	2.50	3.06	3/4	0.50
	1-7/16	3.5	WS308	1.71	4.87	0.531	2.50	3.06	3/4	0.50
	35mm	1.6	WS308	43.4	123.7	13.49	63.5	77.7	19.1	12.7
208	1-1/2	6.1	WS400	1.94	5.69	0.688	3.25	3.50	1	0.63
	1-5/8	6.0	WS400	1.94	5.69	0.688	3.25	3.50	1	0.63
	40mm	2.8	WS400	49.3	144.5	17.48	82.6	88.9	25.4	16.0

Series	Shaft size	H	J	K	L	M	N	R	S	T
204	1/2	0.63	2.00	1.25	1.12	2.985/3.015	3.63	0.50	0.73	1.38
	5/8	0.63	2.00	1.25	1.12	2.985/3.015	3.63	0.50	0.73	1.38
	3/4	0.63	2.00	1.25	1.12	2.985/3.015	3.63	0.50	0.73	1.38
	20mm	16.0	50.8	31.8	28.4	75.82/76.58	92.2	12.7	18.5	35.1
205	7/8	0.63	2.00	1.31	1.32	2.985/3.015	3.63	0.56	0.78	1.38
	15/16	0.63	2.00	1.31	1.32	2.985/3.015	3.63	0.56	0.78	1.38
	1	0.63	2.00	1.31	1.32	2.985/3.015	3.63	0.56	0.78	1.38
	25mm	16.0	50.8	33.3	33.5	75.82/76.58	92.2	14.2	19.8	35.1
206	1-1/16	0.63	2.19	1.44	1.57	3.480/3.510	4.13	0.58	0.94	1.38
	1-1/8	0.63	2.19	1.44	1.57	3.480/3.510	4.13	0.58	0.94	1.38
	1-3/16	0.63	2.19	1.44	1.57	3.480/3.510	4.13	0.58	0.94	1.38
	1-1/4	0.63	2.19	1.44	1.57	3.480/3.510	4.13	0.58	0.94	1.38
	30mm	16.0	55.6	36.6	39.9	88.39/89.15	104.9	14.7	23.9	35.1
207	1-1/4	0.63	2.50	1.44	1.84	3.480/3.510	4.13	0.67	1.04	1.63
	1-5/16	0.63	2.50	1.44	1.84	3.480/3.510	4.13	0.67	1.04	1.63
	1-3/8	0.63	2.50	1.44	1.84	3.480/3.510	4.13	0.67	1.04	1.63
	1-7/16	0.63	2.50	1.44	1.84	3.480/3.510	4.13	0.67	1.04	1.63
	35mm	16.0	63.5	36.6	46.7	88.39/89.15	104.9	17.0	26.4	41.4
208	1-1/2	0.75	3.25	1.94	2.05	3.985/4.015	4.50	0.75	1.19	1.94
	1-5/8	0.75	3.25	1.94	2.05	3.985/4.015	4.50	0.75	1.19	1.94
	40mm	19.1	82.6	49.3	52.1	101.22/101.98	114.3	19.1	30.2	49.3

Extreme Duty mounted ball bearings

Selection/Dimensions

Extreme Duty set screw mounted ball bearings
 SCED normal duty wide slot take-up bearings



Series	Shaft size	Standard part no.	Description
209	1-5/8	@	WSTU-SCED-110L
	1-11/16	076100	WSTU-SCED-111
	1-3/4	076101	WSTU-SCED-112
	1-13/16	@	WSTU-SCED-113
	45mm	076279	WSTU-SCED-45M
210	1-15/16	076102	WSTU-SCED-115
	2	076103	WSTU-SCED-200
	50mm	076280	WSTU-SCED-50M
211	2	076197	WSTU-SCMED-200
	2-3/16	076104	WSTU-SCED-203
	2-1/4	@	WSTU-SCED-204
	55mm	076281	WSTU-SCED-55M
212	2-1/4	@	WSTU-SCMED-204
	2-7/16	076105	WSTU-SCED-207
	60mm	076282	WSTU-SCED-60M
214	2-1/2	076200	WSTU-SCMED-208
	2-11/16	076106	WSTU-SCED-211
	70mm	076283	WSTU-SCED-70M
215	2-15/16	076107	WSTU-SCED-215
	75mm	076284	WSTU-SCED-75M

@ Assembled to order

Extreme Duty mounted ball bearings

Selection/Dimensions

Extreme Duty set screw mounted ball bearings
 SCED normal duty wide slot take-up bearings

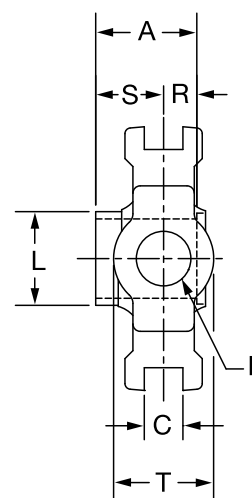
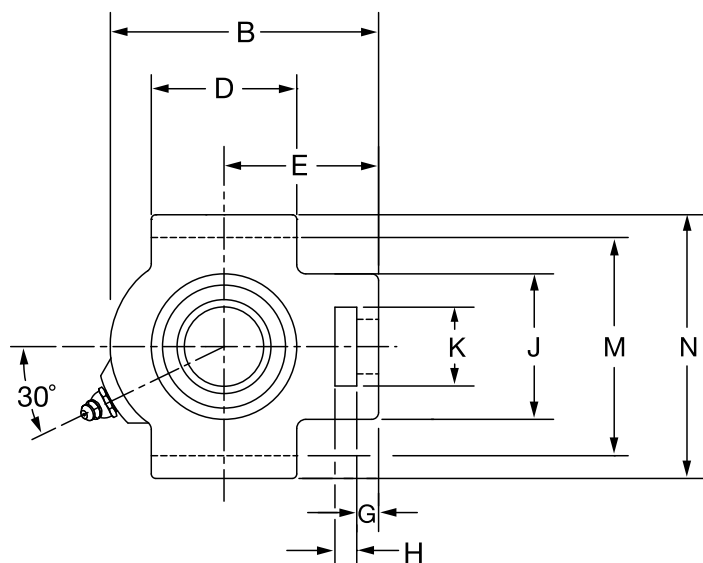
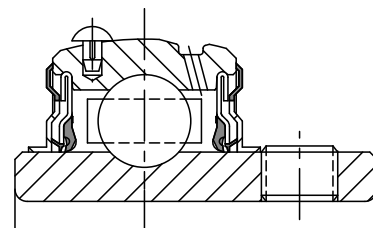
Series	Shaft size	Weight lb kg	Take-up frame size	A	B	C	D	E	F screw dia.	G
209	1-5/8	6.1	WS400	1.94	5.63	0.688	3.25	3.44	1	0.63
	1-11/16	6.0	WS400	1.94	5.63	0.688	3.25	3.44	1	0.63
	1-3/4	5.9	WS400	1.94	5.63	0.688	3.25	3.44	1	0.63
	1-13/16	5.8	WS400	1.94	5.63	0.688	3.25	3.44	1	0.63
	45mm	2.7	WS400	49.3	143.0	17.48	82.6	87.4	25.4	16.0
210	1-15/16	6.4	WS400	1.94	5.82	0.688	3.38	3.56	1	0.63
	2	6.2	WS400	1.94	5.82	0.688	3.38	3.56	1	0.63
	50mm	2.9	WS400	49.3	147.8	17.48	85.9	90.4	25.4	16.0
211	2	10.1	WS502	2.22	6.69	1.063	3.75	4.19	1-1/4	0.75
	2-3/16	10.0	WS502	2.22	6.69	1.063	3.75	4.19	1-1/4	0.75
	2-1/4	9.8	WS502	2.22	6.69	1.063	3.75	4.19	1-1/4	0.75
	55mm	4.5	WS502	56.4	169.9	27.00	95.3	106.4	31.8	19.1
212	2-1/4	11.2	WS502	2.31	7.50	1.063	4.00	4.69	1-1/4	0.75
	2-7/16	10.8	WS502	2.31	7.50	1.063	4.00	4.69	1-1/4	0.75
	60mm	4.9	WS502	58.7	190.5	27.00	101.6	119.1	31.8	19.1
214	2-1/2	18.0	WS515	2.54	8.56	1.063	4.75	5.38	1-1/2	0.81
	2-11/16	17.8	WS515	2.54	8.56	1.063	4.75	5.38	1-1/2	0.81
	70mm	8.0	WS515	64.5	217.4	27.0	120.7	136.7	38.1	20.6
215	2-15/16	18.9	WS515	2.33	9.13	1.063	4.75	5.50	1-1/2	0.81
	75mm	8.6	WS515	59.2	231.9	27.00	120.7	139.7	38.1	20.6

Series	Shaft size	H	J	K	L	M	N	R	S	T
209	1-5/8	0.75	3.25	1.94	2.22	3.985/4.015	4.75	0.75	1.19	1.94
	1-11/16	0.75	3.25	1.94	2.22	3.985/4.015	4.75	0.75	1.19	1.94
	1-3/4	0.75	3.25	1.94	2.22	3.985/4.015	4.75	0.75	1.19	1.94
	1-13/16	0.75	3.25	1.94	2.22	3.985/4.015	4.75	0.75	1.19	1.94
	45mm	19.1	82.6	49.3	56.4	101.22/101.98	120.7	19.1	30.2	49.3
210	1-15/16	0.75	3.25	1.94	2.43	3.985/4.015	4.75	0.75	1.19	1.94
	2	0.75	3.25	1.94	2.43	3.985/4.015	4.75	0.75	1.19	1.94
	50mm	19.1	82.6	49.3	61.7	101.22/101.98	120.7	19.1	30.2	49.3
211	2	1.00	4.00	2.50	2.71	5.110/5.114	5.88	0.87	1.35	2.50
	2-3/16	1.00	4.00	2.50	2.71	5.110/5.114	5.88	0.87	1.35	2.50
	2-1/4	1.00	4.00	2.50	2.71	5.110/5.114	5.88	0.87	1.35	2.50
	55mm	25.4	101.6	63.5	68.8	129.79/129.90	149.4	22.1	34.3	63.5
212	2-1/4	1.25	4.00	2.50	2.97	5.110/5.114	5.88	0.90	1.41	2.50
	2-7/16	1.25	4.00	2.50	2.97	5.110/5.114	5.88	0.90	1.41	2.50
	60mm	31.8	101.6	63.5	75.4	129.79/129.90	149.4	22.9	35.8	63.5
214	2-1/2	1.25	4.38	2.75	3.31	5.923/5.953	6.56	1.06	1.48	2.75
	2-11/16	1.25	4.38	2.75	3.31	5.923/5.953	6.56	1.06	1.48	2.75
	70mm	31.8	111.3	69.9	84.1	150.44/151.21	166.6	26.9	37.6	69.9
215	2-15/16	1.25	4.38	2.75	3.62	5.923/5.953	6.69	0.86	1.47	2.75
	75mm	31.8	111.3	69.9	91.9	150.44/151.21	169.9	21.8	37.3	69.9

Extreme Duty mounted ball bearings

Selection/Dimensions

Extreme Duty set screw mounted ball bearings
 SCMED medium duty wide slot take-up bearings



Series	Shaft size	Part no.	Description
206	1	076190	WSTU-SCMED-100
	25mm	076334	WSTU-SCMED-25M
207	1-3/16	076191	WSTU-SCMED-103
	1-1/4	076096	WSTU-SCMED-104
	30mm	076335	WSTU-SCMED-30M
208	1-7/16	076192	WSTU-SCMED-107
	35mm	076336	WSTU-SCMED-35M
209	1-1/2	076193	WSTU-SCMED-108
	40mm	076337	WSTU-SCMED-40M
210	1-11/16	076194	WSTU-SCMED-111
	1-3/4	076195	WSTU-SCMED-112
	45mm	076338	WSTU-SCMED-45M

Extreme Duty mounted ball bearings

Selection/Dimensions

Extreme Duty set screw mounted ball bearings
 SCMED medium duty wide slot take-up bearings

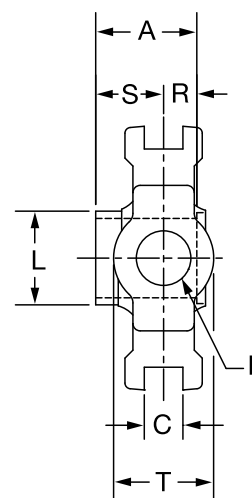
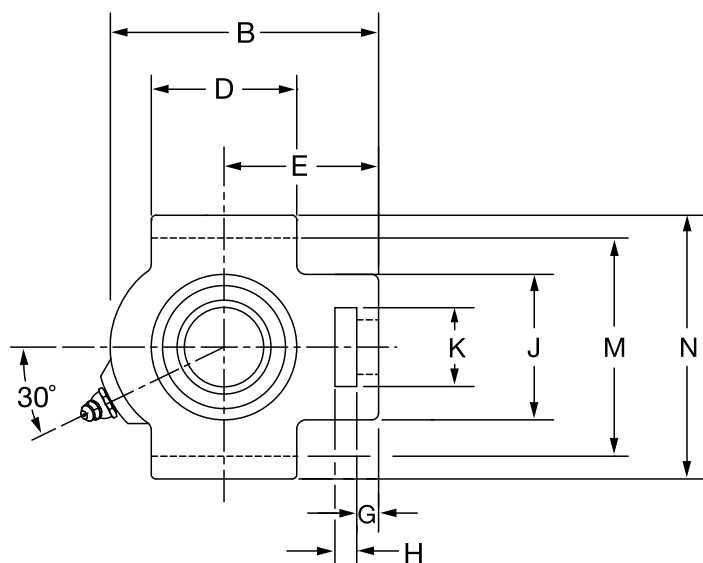
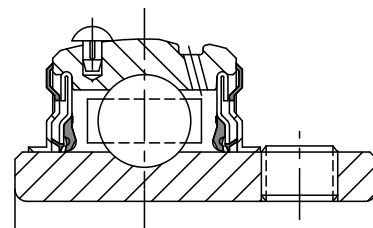
Series	Shaft size	Weight lb kg	Take-up frame no. ref.	A	B	C	D	E	F screw dia.	G
206	1	2.9	WS308	1.52	4.38	0.531	2.25	2.75	3/4	0.38
	25mm	1.4	WS308	38.6	111.3	13.49	57.2	69.9	19.1	9.7
207	1-3/16	3.9	WS308	1.71	4.87	0.531	2.50	3.06	3/4	0.50
	1-1/4	3.8	WS308	1.71	4.87	0.531	2.50	3.06	3/4	0.50
208	30mm	1.7	WS308	43.4	123.7	13.49	63.5	77.7	19.1	12.7
	1-7/16	6.1	WS400	1.94	5.69	0.688	3.25	3.50	1	0.63
209	35mm	2.9	WS400	49.3	144.5	17.48	82.6	88.9	25.4	16.0
	1-1/2	6.0	WS400	1.94	5.63	0.688	3.25	3.44	1	0.63
210	40mm	2.8	WS400	49.3	143.0	17.48	82.6	87.4	25.4	16.0
	1-11/16	6.5	WS400	1.94	5.82	0.688	3.38	3.56	1	0.63
210	1-3/4	6.4	WS400	1.94	5.82	0.688	3.38	3.56	1	0.63
	45mm	3.0	WS400	49.3	147.8	17.48	85.9	90.4	25.4	16.0

Series	Shaft size	H	J	K	L	M	N	R	S	T
206	1	0.63	2.19	1.44	1.57	3.480/3.510	4.13	0.58	0.94	1.38
	25mm	16.0	55.6	36.6	39.9	88.39/89.15	104.9	14.7	23.9	35.1
207	1-3/16	0.63	2.50	1.44	1.84	3.480/3.510	4.13	0.67	1.04	1.63
	1-1/4	0.63	2.50	1.44	1.84	3.480/3.510	4.13	0.67	1.04	1.63
208	30mm	16.0	63.5	36.6	46.7	88.39/89.15	104.9	17.0	26.4	41.4
	1-7/16	0.75	3.25	1.94	2.05	3.985/4.015	4.50	0.75	1.19	1.94
209	35mm	19.1	82.6	49.3	52.1	101.22/101.98	114.3	19.1	30.2	49.3
	1-1/2	0.75	3.25	1.94	2.22	3.985/4.015	4.75	0.75	1.19	1.94
210	40mm	19.1	82.6	49.3	56.4	101.22/101.98	120.7	19.1	30.2	49.3
	1-11/16	0.75	3.25	1.94	2.43	3.985/4.015	4.75	0.75	1.19	1.94
210	1-3/4	0.75	3.25	1.94	2.43	3.985/4.015	4.75	0.75	1.19	1.94
	45mm	19.1	82.6	49.3	61.7	101.22/101.98	120.7	19.1	30.2	49.3

Extreme Duty mounted ball bearings

Selection/Dimensions

Extreme Duty set screw mounted ball bearings
SCMED medium duty wide slot take-up bearings



Series	Shaft Size	Part No.	Description
211	1-15/16	076196	WSTU-SCMED-115
	2	076197	WSTU-SCMED-200
	50mm	076339	WSTU-SCMED-50M
212	2-3/16	076198	WSTU-SCMED-203
	2-1/4	@	WSTU-SCMED-204
	55mm	076340	WSTU-SCMED-55M
214	2-7/16	076199	WSTU-SCMED-207
	2-1/2	076200	WSTU-SCMED-208
	65mm	076341	WSTU-SCMED-65M
215	2-11/16	076201	WSTU-SCMED-211
	70mm	076342	WSTU-SCMED-70M
216	2-15/16	076202	WSTU-SCMED-215
	3	076203	WSTU-SCMED-300
	75mm	076343	WSTU-SCMED-75M

@ Assembled to order

Extreme Duty mounted ball bearings

Selection/Dimensions

Extreme Duty set screw ball bearings
 SCMED medium duty wide slot take-up bearings

Series	Shaft size	Weight lb kg	Take-up frame no. ref.	A	B	C	D	E	F screw dia.	G
211	1-15/16	10.1	WS502	2.22	6.69	1.063	3.75	4.19	1-1/4	0.75
	2	10.2	WS502	2.22	6.69	1.063	3.75	4.19	1-1/4	0.75
	50mm	4.7	WS502	56.4	169.9	27.00	95.3	106.4	31.8	19.1
212	2-3/16	11.4	WS502	2.31	7.50	1.063	4.00	4.69	1-1/4	0.75
	2-1/4	11.2	WS502	2.31	7.50	1.063	4.00	4.69	1-1/4	0.75
	55mm	5.1	WS502	58.7	190.5	27.00	101.6	119.1	31.8	19.1
214	2-7/16	18.2	WS515	2.54	8.56	1.063	4.75	5.38	1-1/2	0.81
	2-1/2	18.0	WS515	2.54	8.56	1.063	4.75	5.38	1-1/2	0.81
	65mm	8.1	WS515	64.5	217.4	27.0	120.7	136.7	38.1	20.6
215	2-11/16	19.0	WS515	2.33	9.13	1.063	4.75	5.50	1-1/2	0.81
	70mm	8.9	WS515	59.2	231.9	27.00	120.7	139.7	38.1	20.6
216	2-15/16	21.7	WS608	2.38	9.13	1.063	4.75	2.38	1-1/2	0.81
	3	21.5	WS608	2.38	9.13	1.063	4.75	2.38	1-1/2	0.81
	75mm	9.5	WS608	60.5	231.6	27.00	120.7	60.5	38.1	20.6

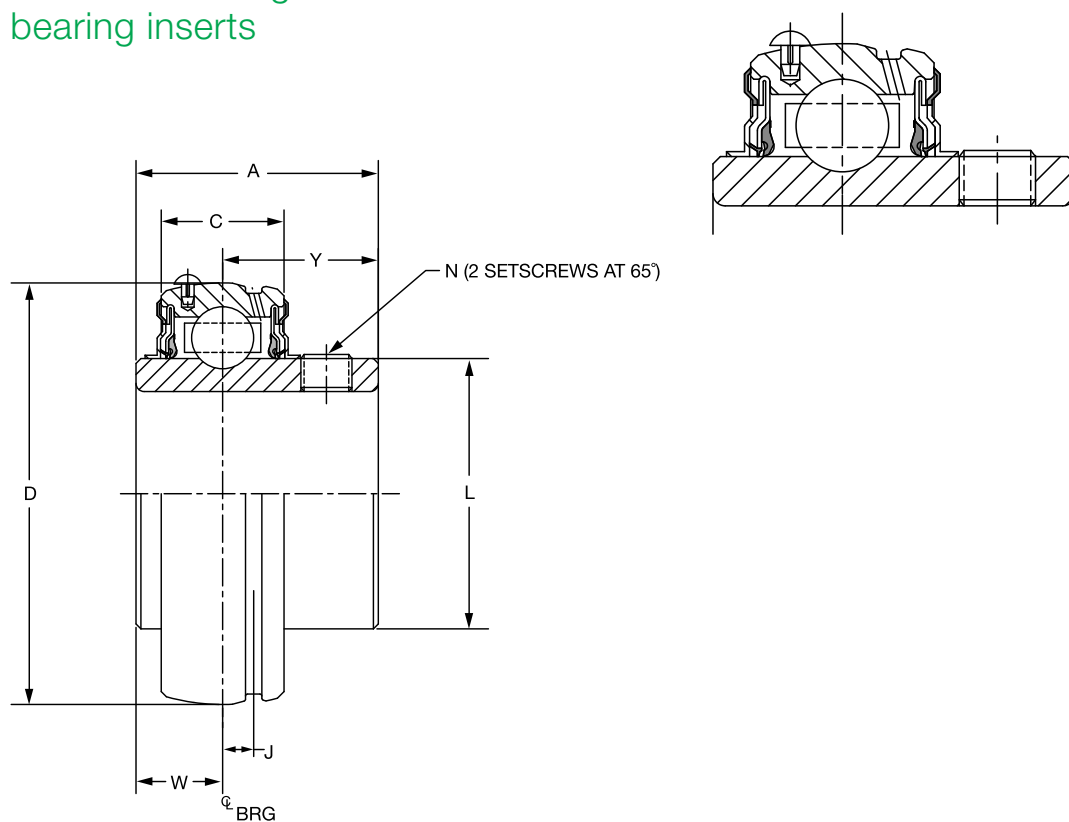
Series	Shaft size	H	J	K	L	M	N	R	S	T
211	1-15/16	1.00	4.00	2.50	2.71	5.110/5.114	5.88	0.87	1.35	2.50
	2	1.00	4.00	2.50	2.71	5.110/5.114	5.88	0.87	1.35	2.50
	50mm	25.4	101.6	63.5	68.8	129.79/129.90	149.4	22.1	34.3	63.5
212	2-3/16	1.25	4.00	2.50	2.97	5.110/5.114	5.88	0.90	1.41	2.50
	2-1/4	1.25	4.00	2.50	2.97	5.110/5.114	5.88	0.90	1.41	2.50
	55mm	31.8	101.6	63.5	75.4	129.79/129.90	149.4	22.9	35.8	63.5
214	2-7/16	1.25	4.38	2.75	3.31	5.923/5.953	6.56	1.06	1.48	2.75
	2-1/2	1.25	4.38	2.75	3.31	5.923/5.953	6.56	1.06	1.48	2.75
	65mm	31.8	111.3	69.9	84.1	150.44/151.21	166.6	26.9	37.6	69.9
215	2-11/16	1.25	4.38	2.75	3.62	5.923/5.953	6.69	0.86	1.47	2.75
	70mm	31.8	111.3	69.9	91.9	150.44/151.21	169.9	21.8	37.3	69.9
216	2-15/16	1.25	4.38	2.75	3.83	6.485/6.515	7.25	0.88	1.50	2.75
	3	1.25	4.38	2.75	3.83	6.485/6.515	7.25	0.88	1.50	2.75
	75mm	31.8	111.3	69.9	97.3	164.72/165.48	184.2	22.4	38.1	69.9

Extreme Duty mounted ball bearings

Selection/Dimensions

Extreme Duty set screw ball bearings

SCED normal duty bearing inserts



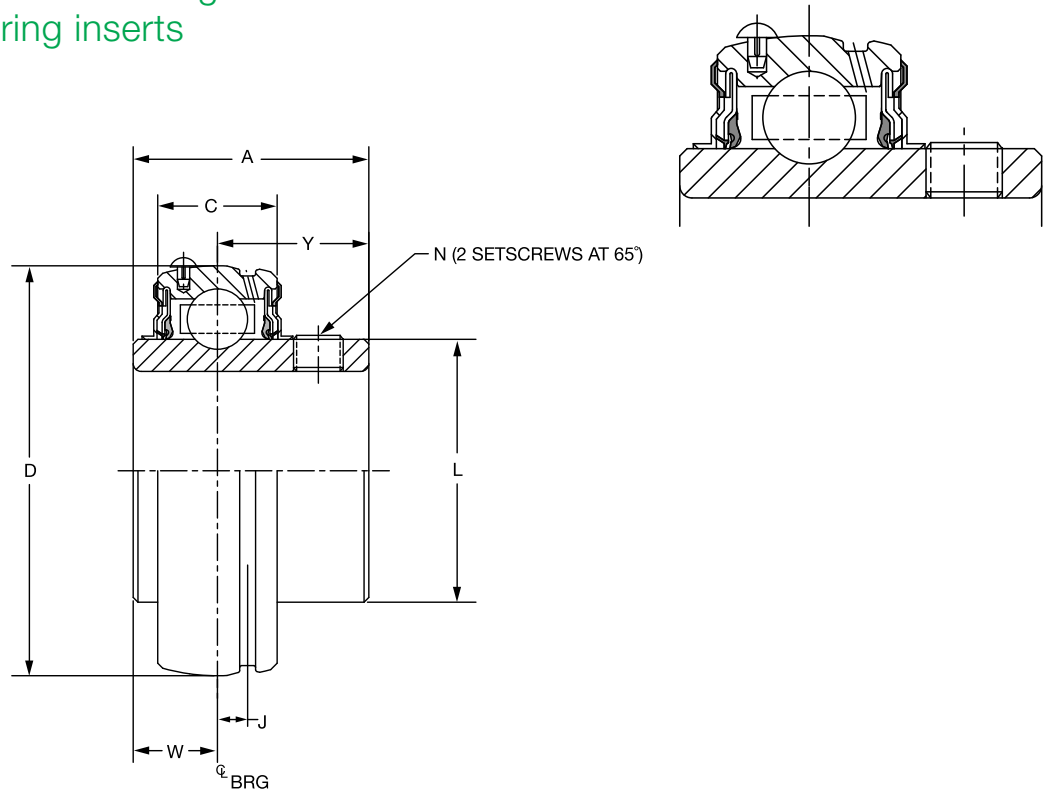
Series	Shaft size	Standard insert part no.	Description	Weight lb kg	A	C	D	J	L	N	W	Y
204	1/2	@	INS-SCED-008L	.38	1.23	0.58	1.8504	0.15	1.12	1/4-28	0.50	0.73
	5/8	@	INS-SCED-010L	.35	1.23	0.58	1.8504	0.15	1.12	1/4-28	0.50	0.73
	3/4	076108	INS-SCED-012	.32	1.23	0.58	1.8504	0.15	1.12	1/4-28	0.50	0.73
	20mm	@	INS-SCED-20M	.16	31.2	14.7	47.000	3.8	28.4	M6x1	12.7	18.5
205	7/8	@	INS-SCED-014	.43	1.34	0.59	2.0472	0.16	1.32	1/4-28	0.56	0.78
	15/16	@	INS-SCED-015	.40	1.34	0.59	2.0472	0.16	1.32	1/4-28	0.56	0.78
	1	076109	INS-SCED-100	.37	1.34	0.59	2.0472	0.16	1.32	1/4-28	0.56	0.78
	25mm	076286	INS-SCED-25M	.18	34.0	15.0	52.000	4.1	33.5	M6x1	14.2	19.8
206	1-1/16	@	INS-SCED-101	.67	1.52	0.69	2.4409	0.16	1.57	5/16-24	0.58	0.94
	1-1/8	076110	INS-SCED-102	.63	1.52	0.69	2.4409	0.16	1.57	5/16-24	0.58	0.94
	1-3/16	076111	INS-SCED-103	.60	1.52	0.69	2.4409	0.16	1.57	5/16-24	0.58	0.94
	1-1/4	076112	INS-SCED-104S	.58	1.52	0.69	2.4409	0.16	1.57	5/16-24	0.58	0.94
	30mm	076287	INS-SCED-30M	.27	38.6	17.5	62.000	4.1	39.9	M8x1.25	14.7	23.9
207	1-1/4	076113	INS-SCED-104	1.02	1.71	0.75	2.8346	0.20	1.84	5/16-24	0.67	1.04
	1-5/16	@	INS-SCED-105	.97	1.71	0.75	2.8346	0.20	1.84	5/16-24	0.67	1.04
	1-3/8	076114	INS-SCED-106	.92	1.71	0.75	2.8346	0.20	1.84	5/16-24	0.67	1.04
	1-7/16	076115	INS-SCED-107	.86	1.71	0.75	2.8346	0.20	1.84	5/16-24	0.67	1.04
	35mm	076288	INS-SCED-35M	.44	43.4	19.1	72.000	5.1	46.7	M8x1.25	17.0	26.4

@ Assembled to order

Extreme Duty mounted ball bearings

Selection/Dimensions

Extreme Duty set screw ball bearings
SCED normal duty bearing inserts



Series size	Shaft	Standard insert part no.	Description	Weight		A	C	D	J	L	N	W	Y
				lb	kg								
208	1-1/2	076116	INS-SCED-108	1.27	1.94	0.87	3.1496	0.22	2.05	5/16-24	0.75	1.19	
	1-5/8	@	INS-SCED-110	1.13	1.94	0.87	3.1496	0.22	2.05	5/16-24	0.75	1.19	
	40mm	076289	INS-SCED-40M	0.51	49.3	22.1	80.000	5.6	52.1	M8x1.25	19.1	30.2	
209	1-5/8	@	INS-SCED-110L	1.49	1.94	0.87	3.3465	0.25	2.22	5/16-24	0.75	1.19	
	1-11/16	076117	INS-SCED-111	1.43	1.94	0.87	3.3465	0.25	2.22	5/16-24	0.75	1.19	
	1-3/4	076118	INS-SCED-112	1.36	1.94	0.87	3.3465	0.25	2.22	5/16-24	0.75	1.19	
	1-13/16	@	INS-SCED-113	1.30	1.94	0.87	3.3465	0.25	2.22	5/16-24	0.75	1.19	
	45mm	076290	INS-SCED-45M	0.62	49.3	22.1	85.000	6.4	56.4	M8x1.25	19.1	30.2	
210	1-15/16	076119	INS-SCED-115	1.48	1.94	0.87	3.5433	0.25	2.43	3/8-24	0.75	1.19	
	2	076120	INS-SCED-200	1.39	1.94	0.87	3.5433	0.25	2.43	3/8-24	0.75	1.19	
	50mm	076291	INS-SCED-50M	0.67	49.3	22.1	90.000	6.4	61.7	M10x1.5	19.1	30.2	
211	2	076211	INS-SCMED-200	2.26	2.22	0.94	3.9370	0.25	2.71	3/8-24	0.87	1.35	
	2-3/16	076121	INS-SCED-203	1.97	2.22	0.94	3.9370	0.25	2.71	3/8-24	0.87	1.35	
	2-1/4	@	INS-SCED-204	1.87	2.22	0.94	3.9370	0.25	2.71	3/8-24	0.87	1.35	
	55mm	076292	INS-SCED-55M	0.89	56.4	23.9	100.000	6.4	68.8	M10x1.5	22.1	34.3	
212	2-1/4	@	INS-SCMED-204	2.85	2.31	1.02	4.3307	0.25	2.97	3/8-24	0.90	1.41	
	2-7/16	076122	INS-SCED-207	2.49	2.31	1.02	4.3307	0.25	2.97	3/8-24	0.90	1.41	
	60mm	076293	INS-SCED-60M	1.13	58.7	25.9	110.000	6.4	75.4	M10x1.5	22.9	35.8	
214	2-1/2	076214	INS-SCMED-208	4.25	2.54	1.10	4.9213	0.26	3.31	3/8-24	1.06	1.48	
	2-11/16	076123	INS-SCED-211	3.60	2.54	1.10	4.9213	0.26	3.31	3/8-24	1.06	1.48	
	70mm	076294	INS-SCED-70M	1.63	64.5	27.9	125.000	6.6	84.1	M10x1.5	26.9	37.6	
215	2-15/16	076124	INS-SCED-215	3.86	2.33	1.14	5.1181	0.28	3.62	3/8-24	0.86	1.47	
	75mm	076295	INS-SCED-75M	1.75	59.2	29.0	130.000	7.1	91.9	M10x1.5	21.8	37.3	
218	90mm	@	INS-SCED-90M	3.3	65.0	34.0	160.000	7.6	110.5	M10x1.5	24.4	40.6	

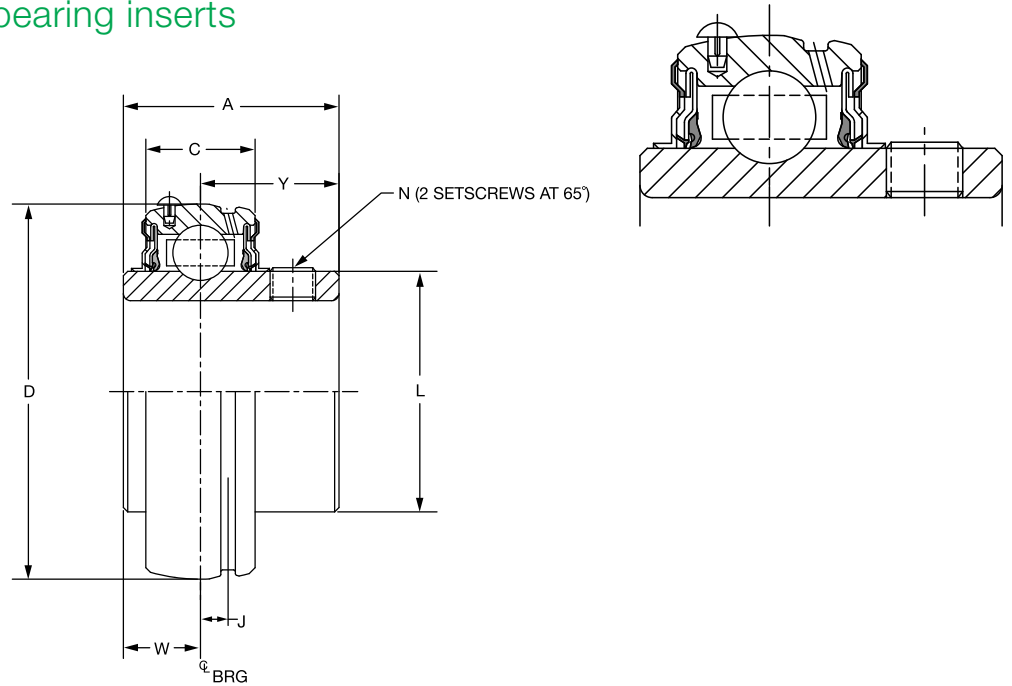
@ Assembled to order.

* 20 piece minimum

Extreme Duty mounted ball bearings

Selection/Dimensions

Extreme Duty set screw ball bearings
SCMED medium duty bearing inserts



Series	Shaft size	Standard insert part no.	Description	Weight lb kg	A	C	D	J	L	N	W	Y
206	1	076204	INS-SCMED-100	0.71	1.52	0.69	2.4409	0.16	1.57	5/16-24	0.58	0.94
	25mm	076344	INS-SCMED-25M	0.32	38.6	17.5	62.000	4.1	39.9	M8x1.25	14.7	23.9
207	1-3/16	076205	INS-SCMED-103	1.07	1.71	0.75	2.8346	0.20	1.84	5/16-24	0.67	1.04
	1-1/4	076113	INS-SCMED-104	1.02	1.71	0.75	2.8346	0.20	1.84	5/16-24	0.67	1.04
	30mm	076287	INS-SCMED-30M	0.53	43.4	19.1	72.000	5.1	46.7	M8x1.25	17.0	26.4
208	1-7/16	076206	INS-SCMED-107	1.32	1.94	0.87	3.1496	0.22	2.05	5/16-24	0.75	1.19
	1-1/2#	076116	INS-SCMED-108	1.27	1.94	0.87	3.1496	0.22	2.05	5/16-24	0.75	1.19
	35mm	076346	INS-SCMED-35M	0.60	49.3	22.1	80.000	5.6	52.1	M8x1.25	19.1	30.2
209	1-1/2	076207	INS-SCMED-108	1.62	1.94	0.87	3.3465	0.25	2.22	5/16-24	0.75	1.19
	1-5/8	@	INS-SCMED-110L	1.49	1.94	0.87	3.3465	0.25	2.22	5/16-24	0.75	1.19
	40mm	076347	INS-SCMED-40M	0.71	49.3	22.1	85.000	6.4	56.4	M8x1.25	19.1	30.2
210	1-11/16	076208	INS-SCMED-111	1.82	1.94	0.87	3.5433	0.25	2.43	3/8-24	0.75	1.19
	1-3/4	076209	INS-SCMED-112	1.74	1.94	0.87	3.5433	0.25	2.43	3/8-24	0.75	1.19
	45mm	076348	INS-SCMED-45M	0.76	49.3	22.1	90.000	6.4	61.7	M10x1.5	19.1	30.2
211	1-15/16	076210	INS-SCMED-115	2.36	2.22	0.94	3.9370	0.25	2.71	3/8-24	0.87	1.35
	2	076211	INS-SCMED-200	2.26	2.22	0.94	3.9370	0.25	2.71	3/8-24	0.87	1.35
	50mm	076349	INS-SCMED-50M	1.03	56.4	23.9	100.000	6.4	68.8	M10x1.5	22.1	34.3
212	2-3/16	076212	INS-SCMED-203	2.97	2.31	1.02	4.3307	0.25	2.97	3/8-24	0.90	1.41
	2-1/4	@	INS-SCMED-204	2.85	2.31	1.02	4.3307	0.25	2.97	3/8-24	0.90	1.41
	55mm	076350	INS-SCMED-55M	1.27	58.7	25.9	110.000	6.4	75.4	M10x1.5	22.9	35.8
214	2-7/16	076213	INS-SCMED-207	4.39	2.54	1.10	4.9213	0.26	3.31	3/8-24	1.06	1.48
	2-1/2	076214	INS-SCMED-208	4.25	2.54	1.10	4.9213	0.26	3.31	3/8-24	1.06	1.48
	60mm	076351	INS-SCMED-65M	1.86	64.5	27.9	125.000	6.6	84.1	M10x1.5	26.9	37.6
215	2-11/16	076215	INS-SCMED-211	4.49	2.33	1.14	5.1181	0.28	3.62	3/8-24	0.86	1.47
	70mm	076352	INS-SCMED-70M	1.98	59.2	29.0	130.000	7.1	91.9	M10x1.5	21.8	37.3
216	2-15/16	076216	INS-SCMED-215	5.54	2.38	1.18	5.5118	0.29	3.83	3/8-24	0.88	1.50
	3	076217	INS-SCMED-300	5.52	2.38	1.18	5.5118	0.29	3.83	3/8-24	0.88	1.50
	75mm	076353	INS-SCMED-75M	2.51	60.5	30.0	140.000	7.4	97.3	M10x1.5	22.4	38.1
218	3-7/16	076218	INS-SCMED-307	7.35	2.56	1.34	6.2992	0.30	4.35	3/8-24	0.96	1.60
	3-1/2	076219	INS-SCMED-308	7.33	2.56	1.34	6.2992	0.30	4.35	3/8-24	0.96	1.60
	85mm	076354	INS-SCMED-85M	3.33	65.0	34.0	160.000	7.6	110.5	M10x1.5	24.4	40.6

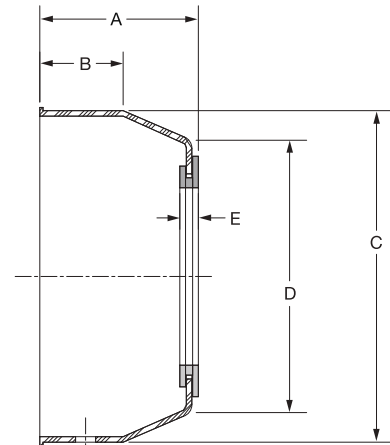
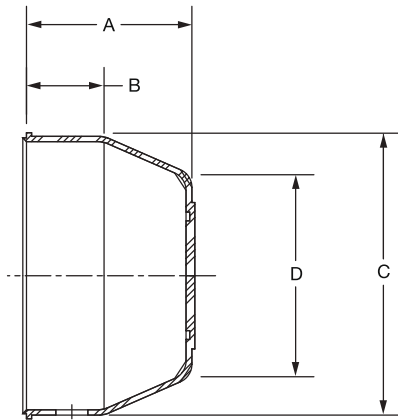
@ Assembled to order

SCM piloted flangeOnly

Extreme Duty mounted ball bearings

Accessories

Snap-on end covers



Series	Closed end covers	
	Part number	Description
204	128280	EC-204-Y
	128280	EC-204-Y
205	128281	EC-205-Y
	128281	EC-205-Y
206	128282	EC-206-Y
	128282	EC-206-Y
	128282	EC-206-Y
207	128283	EC-207-Y
	128283	EC-207-Y
	128283	EC-207-Y
208	128284	EC-208-Y
	128284	EC-208-Y
209	128285	EC-209-Y
	128285	EC-209-Y
210	128286	EC-210-Y
	128286	EC-210-Y
211	128277	EC-211-Y
	128277	EC-211-Y
	128277	EC-211-Y
	128277	EC-211-Y
	128277	EC-211-Y
212	128278	EC-212-Y
	128278	EC-212-Y
	128278	EC-212-Y
	128278	EC-212-Y
	128278	EC-212-Y
214	128220	EC-214
	128220	EC-214
	128220	EC-214
	128220	EC-214
	128220	EC-214
215	128221	EC-215
	128221	EC-215
	128221	EC-215
	128221	EC-215
216	128222	EC-216
	128222	EC-216
	128222	EC-216
218	128223	EC-218
	128223	EC-218
	128223	EC-218
	128223	EC-218

Open end covers		
Shaft size	Part number	Description
3/4	128350	ECO-012-Y
20mm	128363	ECO-20M-Y
1	128351	ECO-100-Y
25mm	128364	ECO-25M-Y
1-3/16	128352	ECO-103-Y
1-1/4	128353	ECO-104S-Y
30mm	128365	ECO-30M-Y
1-1/4	128355	ECO-104-Y
1-7/16	128354	ECO-107-Y
35mm	128366	ECO-35M-Y
1-1/2	128356	ECO-108-Y
40mm	128367	ECO-40M-Y
1-11/16	128357	ECO-111-Y
45mm	128368	ECO-45M-Y
1-15/16	128358	ECO-115-Y
50mm	128369	ECO-50M-Y
1-15/16	079702	ECO-115 (211)
2	079701	ECO-200 (211)
2-3/16	079700	ECO-203 (211)
2-1/4	079699	ECO-204 (211)
50mm	079698	ECO-50M (211)
55mm	079697	ECO-55M (211)
2-3/16	079696	ECO-203 (212)
2-1/4	079695	ECO-204 (212)
2-7/16	079694	ECO-207 (212)
55mm	079693	ECO-55M (212)
60mm	079692	ECO-60M (212)
2-7/16	127328	ECO-207 (214)
2-1/2	127329	ECO-208 (214)
2-11/16	127330	ECO-211 (214)
65mm	127337	ECO-65M (214)
70mm	127338	ECO-70M (214)
2-11/16	127331	ECO-211 (215)
2-15/16	127332	ECO-215 (215)
70mm	127339	ECO-70M (215)
75mm	127340	ECO-75M (215)
2-15/16	127333	ECO-215 (216)
3	127334	ECO-300 (216)
75mm	127340	ECO-75M (216)
3-7/16	127335	ECO-307 (218)
3-1/2	127336	ECO-308 (218)
85mm	127342	ECO-85M (218)
90mm	127343	ECO-90M (218)

Extreme Duty mounted ball bearings

Accessories

Snap-on end covers

Open cover dimensions

Series	Shaft size	A	B	C	D	E
204	3/4	1,19	0,53	1,91	1,38	0,19
	20mm	30,2	13,5	48,4	35,1	4,9
205	1	1,25	0,53	2,17	1,61	0,19
	25mm	31,8	13,5	55,1	40,9	4,9
206	1-3/16	1,39	0,56	2,50	0,97	0,19
	1-1/4	35,3	14,2	63,5	50,0	4,9
207	1-1/4	1,53	0,69	2,91	2,31	0,19
	1-7/16	38,9	17,5	73,9	58,9	4,9
208	1-1/2	1,59	0,69	3,31	2,77	0,20
	40mm	40,6	17,5	84,1	70,1	5,1
209	1-11/16	1,66	0,72	3,50	2,88	0,20
	45mm	41,9	18,3	88,9	72,9	5,1
210	1-15/16	1,72	0,91	3,63	3,00	0,20
	50mm	43,7	23,1	91,4	76,2	5,1
211	1-15/16	1,80	0,97	3,94	3,30	0,21
	2	1,80	0,97	3,94	3,30	0,21
	2-3/16	1,80	0,97	3,94	3,30	0,21
	2-1/4	1,80	0,97	3,94	3,30	0,21
	50mm	1,80	0,97	3,94	3,30	0,21
	55mm	45,5	24,6	100,1	83,6	5,3
212	2-3/16	1,91	1,00	4,38	3,66	0,21
	2-1/4	1,91	1,00	4,38	3,66	0,21
	2-7/16	1,91	1,00	4,38	3,66	0,21
	55mm	1,91	1,00	4,38	3,66	0,21
	60mm	48,3	25,4	111,3	92,7	5,3
214	2-7/16	3,00	1,50	4,90	3,75	0,30
	2-1/2	3,00	1,50	4,90	3,75	0,30
	2-11/16	3,00	1,50	4,90	3,75	0,30
	65mm	3,00	1,50	4,90	3,75	0,30
	70mm	76,2	38,1	124,5	95,3	5,3
	70mm	76,2	38,1	124,5	95,3	5,3
215	2-11/16	3,00	1,50	5,20	4,00	0,30
	2-15/16	3,00	1,50	5,20	4,00	0,30
	70mm	3,00	1,50	5,20	4,00	0,30
	75mm	76,2	38,1	132,1	101,6	5,3
216	2-15/16	3,00	1,50	5,50	4,38	0,30
	3	3,00	1,50	5,50	4,38	0,30
	75mm	76,2	38,1	139,7	111,1	5,3
218	3-7/16	3,09	1,50	6,25	5,00	0,30
	3-1/2	3,09	1,50	6,25	5,00	0,30
	85mm	3,09	1,50	6,25	5,00	0,30
	90mm	78,6	38,1	158,8	127,0	5,3

Closed cover dimensions

Series	A	B	C	D
204	1,13	0,53	1,91	1,38
	28,7	13,5	48,4	35,1
205	0,19	0,53	2,17	1,61
	30,2	13,5	55,1	40,9
206	1,33	0,56	2,50	0,97
	1,33	0,56	2,50	0,97
	33,8	14,2	63,5	50,0
207	1,47	0,69	2,91	2,31
	1,47	0,69	2,91	2,31
	37,3	17,5	73,9	58,9
208	1,55	0,69	3,31	2,77
	39,1	17,5	84,1	70,1
209	1,59	0,72	3,50	2,88
	40,4	18,3	88,9	72,9
210	1,66	0,91	3,62	3,00
	42,2	23,1	91,4	76,2
	1,80	0,97	3,94	3,30
211	1,80	0,97	3,94	3,30
	1,80	0,97	3,94	3,30
	1,80	0,97	3,94	3,30
	1,80	0,97	3,94	3,30
	45,5	24,6	100,1	83,6
	45,5	24,6	100,1	83,6
212	1,91	1,00	4,38	3,66
	1,91	1,00	4,38	3,66
	1,91	1,00	4,38	3,66
	48,3	25,4	111,3	92,7
	48,3	25,4	111,3	92,7
214	3,00	1,50	4,90	3,75
	3,00	1,50	4,90	3,75
	3,00	1,50	4,90	3,75
	76,2	38,1	124,5	95,3
	76,2	38,1	124,5	95,3
	76,2	38,1	124,5	95,3
215	3,00	1,50	5,20	4,00
	3,00	1,50	5,20	4,00
	76,2	38,1	132,1	101,6
	76,2	38,1	132,1	101,6
216	3,00	1,50	5,50	4,38
	3,00	1,50	5,50	4,38
	76,2	38,1	139,7	111,1
218	3,09	1,50	6,25	5,00
	3,09	1,50	6,25	5,00
	78,6	38,1	158,8	127,0
	78,6	38,1	158,8	127,0

Set screw mounted ball bearings

Contents

Set screw mounted ball bearings

- 4-3 Features / Benefits
- 4-5 How to order / Nomenclature
- 4-6 Selection

Selection/Dimensions

Pillow blocks

- 4-12 SC - normal duty
- 4-16 SCB normal duty
- 4-18 SCH-E expansion and non-expansion
- 4-20 SCM medium duty
- 4-22 SL light duty
- 4-24 SC normal duty tapped base

Flanges

- 4-26 2-bolt flange
- 4-42 3-bolt flange
- 4-46 4-bolt flange
- 4-58 Piloted flange

Take-ups

- 4-62 SC normal duty narrow slot
- 4-66 SC normal duty wide slot
- 4-70 SCM-medium duty wide slot
- 4-74 Type G normal duty top angle

Hanger bearings

- 4-76 SC normal duty screw conveyor
- 4-78 SC normal duty

SC normal duty cylindrical units

Inserts

- 4-80 SC - normal duty inserts
- 4-84 SCH expansion and non-expansion
- 4-86 SCM medium duty
- 4-88 LF/LFT/SL bearing inserts
- 4-90 Modification/Accessories

Related products

- 4-91 High temperature ball bearings
- 4-94 End covers

INDEX-1 Part number index

INDEX-69 Key word index

Set screw mounted ball bearings

Set screw mounted ball bearings

Features/Benefits

Set screw mounted ball bearings

For over 70 years, Dodge has been talking to mounted bearing users and listening to their needs. This experience lead to the design of the optimum mounted ball bearing. A state-of-the-art facility was built to manufacture the new Dodge design.

The result is the Dodge SC/SCM/SL line. Its premium features make it the most reliable Set screw mounted ball bearing on the market and provides the user unmatched quality and true total value.

- Light duty narrow inner ring (SL)
- Normal duty wide inner ring (SC)
- Medium duty wide inner ring (SCM)
- Wide variety of housing configurations
- Available in 1/2 to 3-1/2 (17 to 90mm) bore sizes
- Seal options:
 - DualGuard seal
 - ProGuard seal
 - Rubberized flinger
 - Low friction labyrinth on SC/ SCM
- Other Options:
 - FDA/USDA lubricant and other special lubricants
 - High temperature SC/SCM designed for temperatures from 225° F to 400° F. Factory assembled to order.

For application assistance, contact Dodge Engineering
Phone 864-284-5700
Fax 864-281-2317

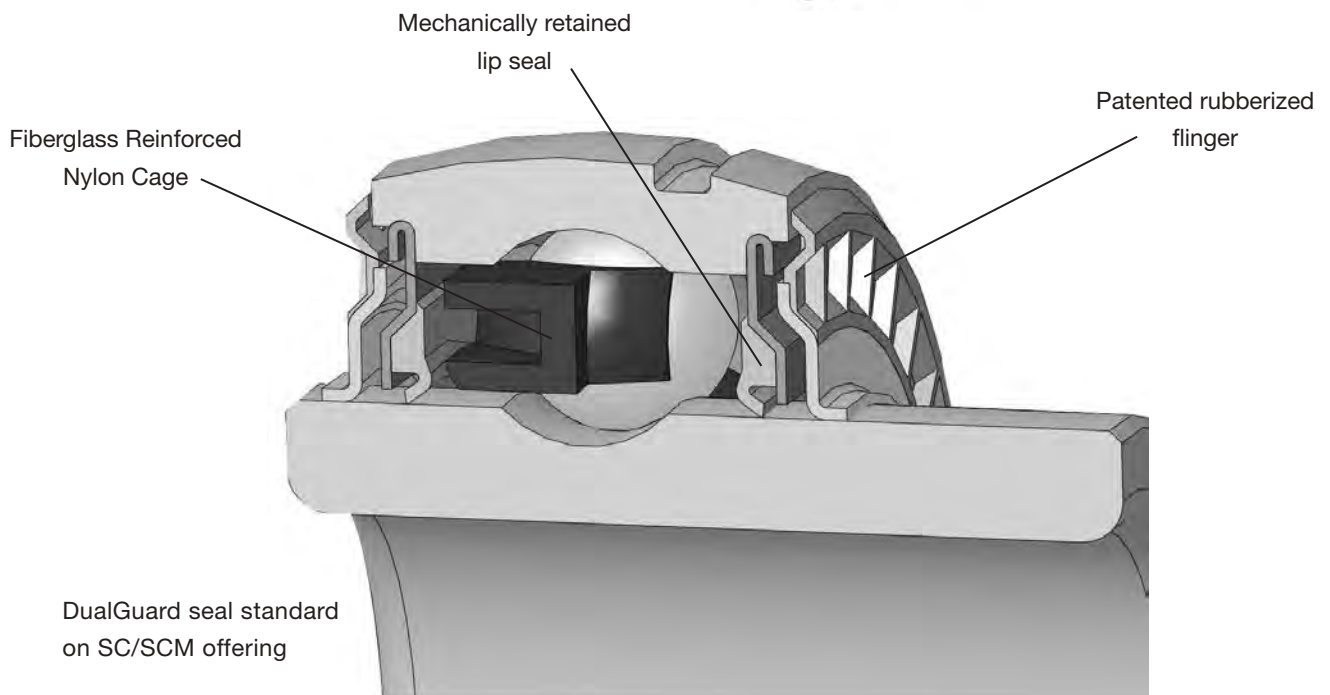
Dodge end covers

Available from stock to fit SC, SCM and VSC mounted units, these end covers are designed for added protection from contaminants as well as for OSHA requirements. Covers are OSHA yellow.

Superior locking forces



The Dodge SC/SCM/SL line uses 65° design which offers an optimum balance between locking force and inner ring stress.



Set screw mounted ball bearings

Features/Benefits

Stronger, more flexible cage



The ball cage is made of heat-stabilized nylon with 33% fill short fiberglass reinforcement for added strength. The nylon material provides a natural lubricity for longer life. Fiberglass reinforcement allows higher operating temperatures than plain nylon, yet it is more resistant to fatigue than metallic cages. Short fiberglass allows greater flexibility than steel or normal fiberglass, especially under misalignment. That means longer life in mounted bearings where some degree of misalignment is unavoidably encountered.

Anti-rotation pin (SC,SCM)

An anti-rotation pin prevents rotation of the outer race within the housing. Simple and effective, it makes system inserts easier to replace. There is no need to remove and replace grease fittings, location pins or other devices.



Simplified Anti-rotation device

Set screw mounted ball bearings

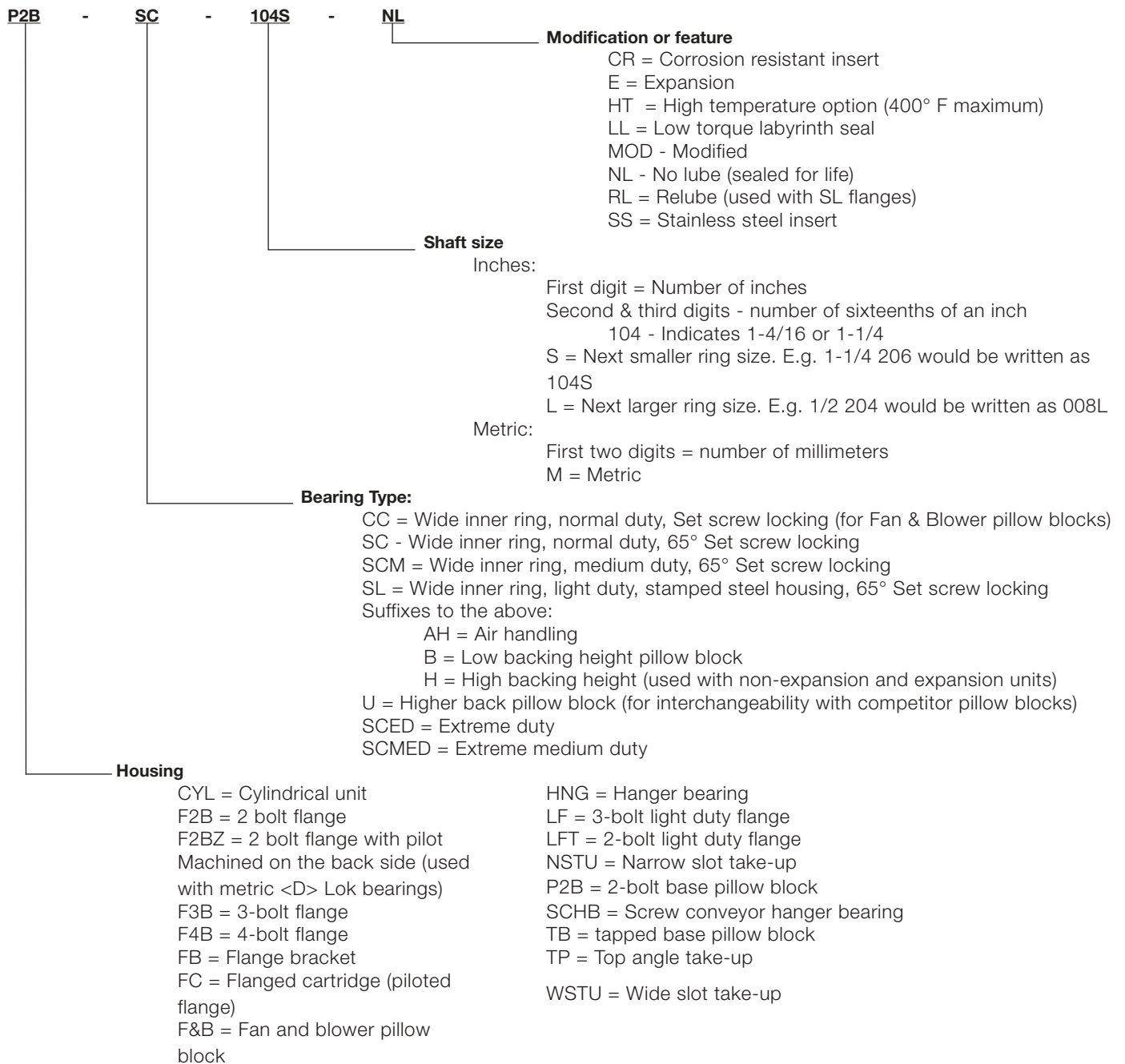
How to order/Nomenclature

Set screw mounted ball bearings

How to order

There are two ways to specify Dodge Bearings. Most of the product offering have part numbers with listings shown throughout this catalog. Use of part numbers ensures accurate ordering processing.

When part numbers are not shown, the product may be specified by description or part name. This method is used when ordering units that include modifications or options. To order by description, use the nomenclature key shown below and add any special instructions to the end of the description for options not covered by the nomenclature.



Set screw mounted ball bearings

Selection

Set screw mounted ball bearings

Recommended torque														
◆ Set screws		D-Lok						Mounting bolts						
Set screw size	Key hex across flats	Recommended torque			Corrosion resistant stainless steel	Cap screw size	Recom. torque	E-Z Kleen recom. torque	Metal housings		E-Z Kleen housed bearings			
		Standard ball bearing insert		Bolt size					Recom. dry torque (Grade 2)	2-bolt PB, 2 & 4 bolt fig. and fig. brackets		Tapped base PB		
		Min	Max							Bolt size	Torque ①	Bolt size	Torque ②	
(in.)	(in.)	(in.-lb)	(in.-lb)	(in.-lb)	(in.)	(in.-lb)	(in.-lb)	(in.)	(in.-lb)	(in.)	(in.-lb)	(in.)	(in.-lb)	
#10	3/32	28	33	25	#8-32	58	46	3/8-16	240	3/8-16	225	3/8-16	175	
1/4	1/8	66	80	60	#10-32	90	72	7/16-14	384	7/16-14	350	7/16-14	350	
5/16	5/32	126	156	117	1/4-28	180	144	1/2-13	600	1/2-13	500	1/2-13	400	
3/8	3/16	228	275	206	5/16-24	400	320	5/8-11	1200	9/16-12	650			
7/16	7/32	342	428	321	3/8-24	750	600	3/4-10	1950	5/8-11	1000			
								7/8-9	2890					
(mm)	(mm)	(N-m)	(N-m)	(N-m)	(mm)	(N-m)	(N-m)	(mm)	(N-m)	(mm)	(N-m)			
M5	2.5	3.2	3.7	2.8	M4	585	4.68	M10	29	M8	15	① Torque for austenitic (18-8) stainless		
M6	3	6.2	7.7	5.8	M5	10.75	8.6	M12	50	M10	25			
M8	4	14.2	17.8	13.4	M6	20.5	16.4	M16	124	M12	50	② Max. torque values published. Do not exceed		
M10	5	26	31	23	M8	45	36	M20	238	M14	75			
M12	6	46	57	43				M22	322	M18	125			

Lubrication

High speed operation - In the higher speed ranges, too much grease will cause over-heating. The amount of grease that the bearing will take for a particular high speed application can only be determined by experience. If excess grease in the bearing causes overheating, it will be necessary to remove grease fitting to permit excess grease to escape. The bearing has been greased at the factory and is ready to run. When establishing a relubrication schedule, note that a small amount of grease at frequent intervals is preferable to a large amount at infrequent intervals.

◆ **Note:** Dodge does not recommend the use of oils or locking agents on Set screw threads. However, if utilized, the minimum installation torque values should be followed.

Lubrication guide								
Use a no. 2 lithium complex base grease or equivalent*								
Hours run per day	Suggested lubrication period in weeks							
	1 to 250 RPM	251 to 500 RPM	501 to 750 RPM	751 to 1000 RPM	1001 to 1500 RPM	1501 to 2000 RPM	2001 to 2500 RPM	2501 to 3000 RPM
8	12	12	10	7	5	4	3	2
16	12	7	5	4	2	2	1	1
24	10	5	3	2	1	1	1	1

* For E-Z Kleen and Ultra Kleen series bearings, use an aluminum complex base grease.

Lubrication recommendations are intended for standard products applied in general operating conditions. For modified products, high temperature applications, and other anomalous applications contact product engineering at 864-284-5700.

Set screw mounted ball bearings

Selection

Set screw mounted ball bearings

Dodge mounted ball bearings are primarily designed for radial loading. However, they have the capacity to carry thrust loads and combined radial/thrust loads. The maximum recommended load which can be applied is limited by various components in the system, such as bearing, housing, shaft attachments, speed and life requirements. Dodge mounted ball bearings have been applied successfully when these limits have been exceeded under controlled operating conditions. Contact Dodge Engineering for applications which exceed these recommendations.

Select a bearing from the Selection Chart that has a radial load rating at the operating speed equal to or greater than the calculated Equivalent Radial load for a desired L_{10} life. This simple method is all that is required for the majority of general applications and provides for occasional average shock loads.

L_{10} Hours Life-is the life which may be expected for at least 90% of a given group of bearings operating under identical conditions.

For an L_{10} hours life other than those listed in the Selection Chart, multiply the equivalent Radial load by one of the following factors. For 50,000 L_{10} hours life, use a factor of 1.18 and for 80,000, use 1.39. Then select a bearing from the bold face (30,000) L_{10} ratings only in the Selection Chart that has a rating equal to or greater than this value.

Heavy Service-For heavy shock loads, frequent shock loads or severe vibrations, add up to 50% (according to severity of conditions) to the Equivalent Radial Load to obtain a Modified Equivalent Radial Load. Consult Application Engineering for additional selection assistance.

A thrust load value of $C/10$ is recommended as a guide for general applications and will give adequate L_{10} life. Where substantial radial load pulls the housing away from the mounting base, both the hold-down bolts and housing must be of adequate strength. Auxiliary load carrying devices, such as shear bars, are advisable for side or end-loading of pillow blocks and radial loads for flange units.

To determine the L_{10} hours life for loads and RPM's not listed use the following equation:

$$L_{10} = \left(\frac{C}{P} \right)^3 \times \frac{16,667}{N}$$

Where:

L_{10} = Life, hours

C = Dynamic Capacity, lb or N

P = Equivalent Radial Load, lb or N

N = Revolutions per minute

When the load on a ball bearing is solely a radial load with no thrust (axial) load, the Equivalent Radial Load (P) is equal to the actual radial load. However, when a thrust (axial) load is applied, the radial and thrust loads applied must be converted into an Equivalent Radial Load. The use of the X (radial factor) and Y (thrust factor) from Table 1 convert the actual applied thrust and radial loads to an Equivalent Radial Load which has the same effect on the life of a bearing as a radial load of this magnitude.

$$P = (X \times F_R) + (Y \times F_A)$$

Where:

P = Equivalent Radial Load, lb

F_R = Radial load, lb

F_A = Thrust load, lb

e = Thrust load to radial load factor (Table 1)

X = Radial load factor (Table 1)

Y = Thrust factor (Table 1)

C_0 = Basic static capacity

To find X and Y, first calculate F_A/C_0 to determine e. Calculate F_A/F_R and compare to e to determine the X and Y factors to use from Table 1.

Substitute all known values into the Equivalent Radial Load equation. The Equivalent Radial loads (P) thus determined can be used in the L_{10} life formula or compared to the allowable Equivalent Radial Load rating desired in the expanded rating chart to select a bearing (Table 2).

If calculated value of P is less than F_R , use $P=F_R$.

F_A / C_0	e	Radial/Thrust Factors			
		If F_A/F_R is equal to or less than e		If F_A/F_R is greater than e	
		$F_A/F_R \leq e$	Y	$F_A/F_R > e$	Y
0.014	0.19	1	0	0.56	2.30
0.021	0.21	1	0	0.56	2.15
0.028	0.22	1	0	0.56	1.99
0.042	0.24	1	0	0.56	1.85
0.056	0.26	1	0	0.56	1.71
0.070	0.27	1	0	0.56	1.63
0.084	0.28	1	0	0.56	1.55
0.110	0.30	1	0	0.56	1.45
0.170	0.34	1	0	0.56	1.31
0.280	0.38	1	0	0.56	1.15
0.420	0.42	1	0	0.56	1.04
0.560	0.44	1	0	0.56	1.00

Lubrication-Dodge Ball Bearings are lubricated at the factory and are ready to run. The bearings are initially lubricated with lithium complex based grease and should be relubricated with the same or some equivalent. For high speeds, high loads, extreme temperatures and other abnormal operating conditions, special greases may be required. Contact Dodge Application Engineering for recommendations on these types of applications.

Misalignment-Dodge Ball Bearings are designed to allow a maximum of $\pm 2^\circ$ static misalignment. These bearings are not suitable for dynamic misalignment. To ensure good alignment, mounting surfaces must be checked for flatness and must lie in the same plane. When tightening base bolts, each bolt should be alternately tightened in incremental torque values until full torque is achieved to prevent the angular shifting of the pillow block that occurs when one bolt is tightened to its full torque. Shimming may be required to minimize misalignment.

Shaft Tolerances		
Normal Shaft Size Inches	Commercial Shaft Tolerances Inches	Recommended Shaft Tolerances bearings Inches
Up to 1-1/2.	+0.000 -0.002	+0.0000 -0.0005
Over 1-1/2. to 2-1/2.	+0.000 -0.003	+0.0000 -0.0010
Over 2-1/2. to 4.	+0.000 -0.004	+0.0000 -0.0010

Set screw mounted ball bearings

Selection

Set screw mounted ball bearing-inch

Table 2: Easy selection table for ball bearing mounted units

Ring size	Shaft size		Dynamic capacity C, lb	Static capacity Co, lb	L ₁₀ life hours	Allowable equivalent radial load rating (lb) at various RPM*								
	SC, VSC, SL, CC	SCM				50	150	250	500	750	1000	1500	1750	2000
203	1/2		2158	1079	20000	550	380	320	255	225	205	175	170	160
			2158	1079	30000	480	335	280	225	195	175	155	145	140
	2158		1079	40000	440	305	255	205	175	160	140	135	130	
	2158		1079	60000	380	265	225	175	155	140	125	115	110	
	2158		1079	100000	320	225	190	150	130	120	105	100	95	
204	1/2		2899	1482	20000	740	515	435	345	300	275	240	225	215
			2899	1482	30000	645	450	380	300	260	240	210	200	190
	2899		1482	40000	590	410	345	275	240	215	190	180	170	
	2899		1482	60000	515	355	300	240	210	190	165	155	150	
	2899		1482	100000	435	300	255	200	175	160	140	130	125	
205	7/8		3146	1769	20000	805	560	470	375	325	295	260	245	235
	15/16		3146	1769	30000	705	485	410	325	285	260	225	215	205
	1		3146	1769	40000	640	445	375	295	260	235	205	195	185
	1		3146	1769	60000	560	385	325	260	225	205	180	170	165
206	1-1/16	1	3146	1769	100000	470	325	275	220	190	175	150	145	135
			4368	2538	20000	1115	775	655	520	455	410	360	340	325
	4368		2538	30000	975	675	570	455	395	360	315	300	285	
	4368		2538	40000	885	615	520	410	360	325	285	270	260	
	4368		2538	60000	775	535	455	360	315	285	250	235	225	
207	1-1/4	1-3/16	4368	2538	100000	655	455	380	305	265	240	210	200	190
			5759	3461	20000	1475	1020	860	685	595	545	475	450	430
	5759		3461	30000	1285	890	755	595	520	475	415	395	375	
	5759		3461	40000	1170	810	685	545	475	430	375	355	340	
	5759		3461	60000	1020	710	595	475	415	375	330	310	300	
208	1-1/2	1-7/16	5759	3461	100000	860	595	505	400	350	315	275	265	250
			7332	4475	20000	1875	1300	1095	870	760	690	605	575	550
	7332		4475	30000	1640	1135	960	760	665	605	525	500	480	
	7332		4475	40000	1490	1030	870	690	605	550	480	455	435	
	7332		4475	60000	1300	900	760	605	525	480	420	400	380	
209	1-5/8	1-1/2	7332	4475	100000	1095	760	640	510	445	405	355	335	320
			7891	4906	20000	2020	1400	1180	935	820	745	650	615	590
	7891		4906	30000	1765	1225	1030	820	715	650	570	540	515	
	7891		4906	40000	1600	1110	935	745	650	590	515	490	470	
	7891		4906	60000	1400	970	820	650	570	515	450	430	410	
210	1-15/16	1-11/16	7891	4906	100000	1180	820	690	550	480	435	380	360	345
			7891	4906	20000	2020	1400	1180	935	820	745	650	615	590
	7891		4906	30000	1765	1225	1030	820	715	650	570	540	515	
	7891		4906	40000	1600	1110	935	745	650	590	515	490	470	
	7891		4906	60000	1400	970	820	650	570	515	450	430	410	
211	2	1-15/16	7891	4906	100000	1180	820	690	550	480	435	380	360	345
			9755	6588	20000	2491	1727	1457	1156	1010	918	802	761	729
	9755		6588	30000	2176	1509	1272	1010	882	802	700	665	636	
	9755		6588	40000	1977	1371	1156	918	802	728	636	604	578	
	9755		6588	60000	1727	1197	1010	802	700	636	556	528	505	
212	2-1/4	2-3/16	9755	6588	100000	1457	1010	852	676	591	537	469	445	426
			11791	8100	20000	3015	2090	1765	1400	1225	1110	970	925	880
	11791		8100	30000	2635	1825	1540	1225	1070	970	880	805	770	
	11791		8100	40000	2395	1660	1400	1110	970	880	770	730	700	
	11791		8100	60000	2090	1450	1225	970	850	770	675	640	610	
214	2 11/16	2-7/16	11791	8100	100000	1765	1225	1030	820	715	650	570	540	515
			13995	9838	20000	3580	2480	2095	1660	1450	1320	1155	1095	1045
	13995		9838	30000	3125	2170	1830	1450	1270	1155	1005	955	915	
	13995		9838	40000	2840	1970	1660	1320	1155	1045	915	870	830	
	13995		9838	60000	2480	1720	1450	1155	1005	915	800	760	725	
215	2-15/16	2-11/16	13995	9838	100000	2095	1450	1225	970	850	770	675	640	615
			14872	11108	20000	3805	2640	2225	1765	1545	1400	1225	1165	1115
	14872		11108	30000	3325	2305	1945	1545	1350	1225	1070	1015	975	
	14872		11108	40000	3020	2095	1765	1400	1225	1115	975	925	885	
	14872		11108	60000	2640	1830	1545	1225	1070	975	850	805	770	
216	2-15/16	3	14872	11108	100000	2225	1545	1300	1035	905	820	715	680	650
			17407	13102	20000	4450	3085	2605	2065	1805	1640	1435	1360	1300
	17407		13102	30000	3890	2695	2275	1805	1580	1435	1250	1190	1140	
	17407		13102	40000	3535	2450	2065	1640	1435	1300	1140	1080	1035	
	17407		13102	60000	3085	2140	1805	1435	1250	1140	995	945	905	
218	3-7/16	3-1/2	17407	13102	100000	2605	1805	1525	1210	1055	960	840	795	760
			21451	16641	20000	5485	3805	3210	2550	2225	2025	1765	1680	1605
	21451		16641	30000	4795	3325	2805	2225	1945	1765	1545	1465	1405	
	21451		16641	40000	4355	3020	2550	2025	1765	1605	1405	1335	1276	
	21451		16641	60000	3805	2640	2225	1765	1545	1405	1225	1165	1115	
21451	16641	100000	3210	2225	1880	1490	1300	1185	1035	980	940			

* Slight interference fit required when operating on the right of the heavy line or in the shaded area ** Piloted flange only

Set screw mounted ball bearings

Selection

Set screw mounted ball bearing-inch

Table 2 (continued): Easy selection table for ball bearing mounted units

Ring size	Shaft size		Dynamic capacity C, lb	Static capacity Co, lb	L ₁₀ life hours	Allowable equivalent radial load rating (lb) at various RPM*									
	SC, VSC, SL, CC	SCM				2500	3000	3500	4000	4500	5000	5500	6500	7500	
203	1/2		2158	1079	20000	150	140	135	130	125	120	115	110	105	
		5/8	2158	1079	30000	130	125	115	110	105	105	100	95	90	
			2158	1079	40000	120	110	105	100	95	95	90	85	80	
			2158	1079	60000	105	95	95	90	85	80	80	75	70	
			2158	1079	100000	85	80	80	75	70	70	65	65	60	
204	1/2		2899	1482	20000	200	190	180	170	165	160	155	145	140	
		5/8	2899	1482	30000	175	165	155	150	145	140	135	130	120	
			2899	1482	40000	160	150	145	135	130	125	125	115	110	
			2899	1482	60000	140	130	125	120	115	110	105	100	95	
			2899	1482	100000	115	110	105	100	90	95	90	85	80	
205	7/8		3146	1769	20000	220	205	195	185	180	175	170	160	150	
		15/16	3146	1769	30000	190	180	170	165	155	150	145	140	130	
			3146	1769	40000	175	165	155	150	140	135	135	125	120	
			3146	1769	60000	150	140	135	130	125	120	115	110	105	
			3146	1769	100000	125	120	115	110	105	100	100	95	90	
206	1-1/16	1	4368	2538	20000	305	285	270	260	250	240	235	200		
			1-1/8	4368	2538	30000	265	250	235	225	220	210	205	195	
			4368	2538	40000	240	225	215	205	200	190	185	175		
			4368	2538	60000	210	200	190	180	175	165	160	155		
			4368	2538	100000	175	165	160	150	145	140	135	130		
207	1-1/4	1-3/16	5759	3461	20000	400	375	355	340	330	315	305			
			1-5/16	5759	3461	30000	350	330	310	300	285	275	270		
			5759	3461	40000	315	300	285	270	260	250	245			
			5759	3461	60000	275	260	250	235	230	220	225			
			5759	3461	100000	235	220	210	200	190	185	180			
208	1-1/2	1-7/16	7332	4475	20000	510	480	455	435	420	405				
			1-5/8	7332	4475	30000	445	420	400	380	365	355			
			7332	4475	40000	405	380	360	345	330	320				
			7332	4475	60000	355	330	315	300	290	280				
			7332	4475	100000	300	280	265	255	245	235				
209	1-5/8	1-1/2	7891	4906	20000	550	515	490	470	450	435				
			1-11/16	7891	4906	30000	480	450	430	410	395	380			
			7891	4906	40000	435	410	390	370	360	345				
			7891	4906	60000	380	360	340	325	310	300				
			7891	4906	100000	320	300	285	275	265	255				
210	1-15/16	1-11/16	7891	5213	20000	550	515	490	470	450					
			2	7891	5213	30000	480	450	430	410	395				
			7891	5213	40000	435	410	390	370	360					
			7891	5213	60000	380	360	340	325	310					
			7891	5213	100000	320	300	285	275	265					
211	2	1-15/16	9755	6588	20000	676	636	604	578						
			2-3/16	9755	6588	30000	591	556	528	505					
			9755	6588	40000	537	505	480	459						
			9755	6588	60000	469	441	419	401						
			9755	6588	100000	395	372	353	338						
212	2-1/4	2-3/16	11791	8100	20000	820	770	730							
			2-7/16	11791	8100	30000	715	675	640						
			11791	8100	40000	650	610	580							
			11791	8100	60000	570	535	510							
			11791	8100	100000	480	450	430							
214	2 11/16	2-7/16	13995	9838	20000	970	915								
			2-1/2	13995	9838	30000	850	800							
			13995	9838	40000	770	725								
			13995	9838	60000	675	635								
			13995	9838	100000	570	535								
215	2-15/16	2-11/16	14872	11108	20000	1035	975								
				14872	11108	30000	905	850							
			14872	11108	40000	820	770								
			14872	11108	60000	715	675								
			14872	11108	100000	605	570								
216	2-15/16	3	17407	13102	20000	1210									
				17407	13102	30000	1055								
			17407	13102	40000	960									
			17407	13102	60000	840									
			17407	13102	100000	705									
218	3-7/16	3-1/2	21451	16641	20000										
				21451	16641	30000									
			21451	16641	40000										
			21451	16641	60000										
			21451	16641	100000										

* Slight interference fit required when operating on the right of the heavy line or in the shaded area ** Piloted flange only

Set screw mounted ball bearings

Selection

Set screw mounted ball bearings-metric

Table 2 (continued): Easy selection table for ball bearing mounted units

Ring size	Shaft size		Dynamic capacity C, N.	Static capacity Co, N.	L ₁₀ life hours	Allowable equivalent radial load rating (N.) at various RPM*								
	SC, VSC, SL, CC	SCM				50	150	250	500	750	1000	1500	1750	2000
203	17mm		9600	4800	20000	2446	1690	1423	1134	1001	912	778	756	712
			9600	4800	30000	2135	1490	1245	1001	867	778	689	645	623
			9600	4800	40000	1957	1357	1134	912	778	712	623	600	578
			9600	4800	60000	1690	1179	1001	778	689	623	556	512	489
			9600	4800	100000	1423	1001	845	667	578	534	467	445	423
204	20mm		12895	6592	20000	3292	2291	1935	1535	1334	1223	1068	1001	956
			12895	6592	30000	2869	2002	1690	1334	1156	1068	934	890	845
			12895	6592	40000	2624	1824	1535	1223	1068	956	845	801	756
			12895	6592	60000	2291	1579	1334	1068	934	845	734	689	667
			12895	6592	100000	1935	1334	1134	890	778	712	623	578	556
205	25mm		13995	7869	20000	3581	2491	2091	1668	1446	1312	1156	1090	1045
			13995	7869	30000	3136	2157	1824	1446	1268	1156	1001	956	912
			13995	7869	40000	2847	1979	1668	1312	1156	1045	912	867	823
			13995	7869	60000	2491	1712	1446	1156	1001	912	801	756	734
			13995	7869	100000	2091	1446	1223	979	845	778	667	645	600
206	30mm	25mm	18993	11,290	20000	4960	3447	2913	2313	2024	1824	1601	1512	1446
			18993	11,290	30000	4337	3002	2535	2024	1757	1601	1401	1334	1268
			18993	11,290	40000	3936	2736	2313	1824	1601	1446	1268	1201	1156
			18993	11,290	60000	3447	2380	2024	1601	1401	1268	1112	1045	1001
			18993	11,290	100000	2913	2024	1690	1357	1179	1068	934	890	845
207	35mm	30mm	25628	15,395	20000	6561	4537	3825	3047	2647	2424	2113	2002	1913
			25628	15,395	30000	5716	3959	3358	2674	2313	2113	1846	1757	1668
			25628	15,395	40000	5204	3603	3047	2424	2113	1913	1668	1579	1512
			25628	15,395	60000	4537	3158	2647	2113	1846	1669	1468	1379	1334
			25628	15,395	100000	3825	2647	2246	1779	1557	1401	1223	1179	1112
208	40mm	35mm	32627	19,906	20000	8340	5782	4871	3870	3380	3069	2691	2558	2446
			32627	19,906	30000	7295	5048	4270	3380	2958	2691	2335	2224	2135
			32627	19,906	40000	6628	4581	3870	3069	2691	2446	2135	2024	1935
			32627	19,906	60000	5782	4003	3380	2691	2335	2135	1868	1779	1690
			32627	19,906	100000	4871	3380	2847	2268	1979	1801	1579	1490	1423
209	45mm	40mm	35115	21,823	20000	8985	6227	5249	4159	3647	3314	2891	2736	2624
			35115	21,823	30000	7851	5449	4581	3649	3180	2891	2535	2402	2291
			35115	21,823	40000	7117	4937	4159	3314	2891	2624	2291	2180	2091
			35115	21,823	60000	6227	4315	3647	2891	2535	2291	2002	1913	1824
			35115	21,823	100000	5249	3647	3069	2446	2135	1935	1690	1601	1535
210	50mm	45mm	35115	23,189	20000	8985	6227	5249	4159	3647	3314	2891	2736	2624
			35115	23,189	30000	7851	5449	4581	3647	3180	2891	2535	2402	2291
			35115	23,189	40000	7117	4937	4159	3314	2891	2624	2291	2180	2091
			35115	23,189	60000	6227	4315	3647	2891	2535	2291	2002	1913	1824
			35115	23,189	100000	5249	3647	3069	2446	2135	1935	1690	1601	1535
211	55mm	50mm	43394	29,305	20000	11079	7682	6479	5142	4492	4062	3566	3307	3241
			43394	29,305	30000	9678	6711	5660	4492	3924	3566	3115	2959	2831
			43394	29,305	40000	8793	6097	5142	4082	3566	3240	2830	2688	2572
			43394	29,305	60000	7682	5326	4492	3566	3115	2830	2472	2348	2247
			43394	29,305	100000	6479	4492	3789	3007	2627	2387	2085	1981	1895
212	60mm	55mm	52470	36,031	20000	13411	9296	7851	6227	5449	4937	4315	4114	3914
			52470	36,031	30000	11720	8118	6850	5449	4759	4315	3914	3581	3425
			52470	36,031	40000	10653	7384	6227	4937	4315	3914	3425	3247	3114
			52470	36,031	60000	9296	6450	5449	4315	3781	3425	3002	2847	2713
			52470	36,031	100000	7851	5449	4581	3647	3180	2891	2535	2402	2291
214	70mm	65mm	62278	43,762	20000	15924	11031	9319	7384	6450	5871	5137	4871	4648
			62278	43,762	30000	13900	9672	8140	6450	5649	5137	4470	4248	4070
			62278	43,762	40000	12632	8763	7384	5871	5137	4648	4070	3870	3692
			62278	43,762	60000	11031	7651	6450	5137	4470	4070	3558	3380	3225
			62278	43,762	100000	9319	6450	5449	4315	3781	3425	3002	2847	2736
215	75mm	70mm	66180	49,411	20000	16925	11743	9897	7851	6872	6227	5449	5182	4960
			66180	49,411	30000	14790	10253	8651	6872	6005	5449	4759	4515	4337
			66180	49,411	40000	13433	9319	7851	6227	5449	4960	4337	4114	3936
			66180	49,411	60000	11743	8140	6872	5449	4759	4337	3781	3581	3425
			66180	49,411	100000	9897	6872	5782	4604	4025	3647	3180	3025	2891
216	75mm		77426	58,281	20000	19794	13722	11587	9185	8029	7295	6383	6049	5782
			77426	58,281	30000	17303	11987	10119	8029	7028	6383	5560	5293	5071
			77426	58,281	40000	15724	10898	9185	7295	6383	5782	5071	4804	4604
			77426	58,281	60000	13722	9519	8029	6393	5560	5071	4426	4203	4025
			77426	58,281	100000	11587	8029	6783	5382	4693	4270	3736	3536	3380
218	85mm		95371	74,023	20000	24397	16925	14278	11342	9897	9007	7851	7473	7139
			95371	74,023	30000	21328	14790	12477	9897	8651	7851	6872	6516	6249
			95371	74,023	40000	19371	13433	11342	9007	7851	7139	6249	5938	5676
			95371	74,023	60000	16925	11743	9897	7851	6872	6249	5449	5182	4960
			95371	74,023	100000	14278	9897	8362	6628	5782	5271	4604	4359	4181

* Slight interference fit required when operating on the right of the heavy line or in the shaded area

Set screw mounted ball bearings

Selection

Set screw mounted ball bearing-metric

Table 2 (continued): Easy selection table for ball bearing mounted units

Ring size	Shaft size		Dynamic capacity C, N.	Static capacity Co, N.	L ₁₀ life hours	Allowable equivalent radial load rating (n.) at various RPM*									
	SC, VSC, SL, C	SCM				2500	3000	3500	4000	4500	5000	5500	6500	7500	
203	17mm		9600	4800	20000	667	623	600	578	556	534	512	489	467	
			9600	4800	30000	578	556	512	489	467	467	445	423	400	
			9600	4800	40000	534	489	467	445	423	423	400	378	356	
			9600	4800	60000	467	423	423	400	378	356	358	334	311	
			9600	4800	100000	378	356	356	334	311	311	289	289	267	
204	20mm		12895	6592	20000	890	845	801	756	734	712	689	645	623	
			12895	6592	30000	778	724	689	667	645	623	600	578	534	
			12895	6592	40000	712	667	645	600	578	556	556	512	489	
			12895	6592	60000	623	578	556	534	512	489	467	445	423	
			12895	6592	100000	512	489	467	445	400	423	400	378	356	
205	25mm		13995	7869	20000	979	912	867	823	801	778	756	712	667	
			13995	7869	30000	845	801	756	734	689	667	645	623	578	
			13995	7869	40000	778	734	689	667	623	600	600	556	534	
			13995	7869	60000	667	623	600	578	556	534	512	489	467	
			13995	7869	100000	556	534	512	489	467	445	445	423	400	
206	30mm	25mm	18993	11,290	20000	1357	1268	1201	1156	1112	1068	1045	979		
			18993	11,290	30000	1179	1112	1045	1001	979	934	912	867		
			18993	11,290	40000	1068	1001	958	912	890	845	823	778		
			18993	11,290	60000	934	890	845	801	778	734	712	689		
			18993	11,290	100000	778	734	712	667	645	623	600	578		
207	35mm	30mm	25628	15,395	20000	1779	1668	1579	1512	1468	1401	1357			
			25628	15,395	30000	1557	1468	1379	1134	1268	1223	1201			
			25628	15,395	40000	1401	1334	1268	1201	1156	1112	1090			
			25628	15,395	60000	1223	1156	1112	1045	1023	979	956			
			25628	15,395	100000	1045	979	934	890	845	823	801			
208	40mm	35mm	32627	19,906	20000	2268	2135	2024	1935	1868	1801				
			32627	19,906	30000	1979	1868	1779	1690	1624	1579				
			32627	19,906	40000	1801	1690	1601	1535	1468	1423				
			32627	19,906	60000	1576	1468	1401	1334	1290	1245				
			32627	19,906	100000	1334	1245	1179	1134	1090	1045				
209	45mm	40mm	35115	21,823	20000	2446	2291	2180	2091	2002	1935				
			35115	21,823	30000	2135	2002	1913	1824	1757	1690				
			35115	21,823	40000	1935	1824	1735	1646	1601	1535				
			35115	21,823	60000	1690	1601	1512	1446	1379	1334				
			35115	21,823	100000	1423	1334	1268	1223	1179	1134				
210	50mm	45mm	35115	23,189	20000	2446	2291	2180	2091	2002					
			35115	23,189	30000	2135	2002	1913	1824	1757					
			35115	23,189	40000	1935	1824	1735	1646	1601					
			35115	23,189	60000	1690	1601	1512	1446	1379					
			35115	23,189	100000	1423	1334	1268	1223	1179					
211	55mm	50mm	43394	29,305	20000	3007	2830	2688	2571						
			43394	29,305	30000	2627	2472	2348	2246						
			43394	29,305	40000	2387	2246	2134	2041						
			43394	29,305	60000	2085	1962	1864	1783						
			43394	29,305	100000	1759	1655	1572	1504						
212	60mm	55mm	52470	36,031	20000	3647	3425	3247							
			52470	36,031	30000	3180	3002	2847							
			52470	36,031	40000	2891	2713	2580							
			52470	36,031	60000	2535	2380	2268							
			52470	36,031	100000	2135	2002	1913							
214	70mm	65mm	62278	43,762	20000	4315	4070								
			62278	43,762	30000	3781	3558								
			62278	43,762	40000	3425	3225								
			62278	43,762	60000	3002	2824								
			62278	43,762	100000	2535	2380								
215	75mm	70mm	66180	49,411	20000	4604	4337								
			66180	49,411	30000	4025	3781								
			66180	49,411	40000	3647	3425								
			66180	49,411	60000	3180	3002								
			66180	49,411	100000	2691	2535								
216	75mm		77426	58,281	20000	5382									
			77426	58,281	30000	4693									
			77426	58,281	40000	4270									
			77426	58,281	60000	3736									
			77426	58,281	100000	3136									
218	85mm		95371	74,023	20000										
			95371	74,023	30000										
			95371	74,023	40000										
			95371	74,023	60000										
			95371	74,023	100000										

* Slight interference fit required when operating on the right of the heavy line or in the shaded area

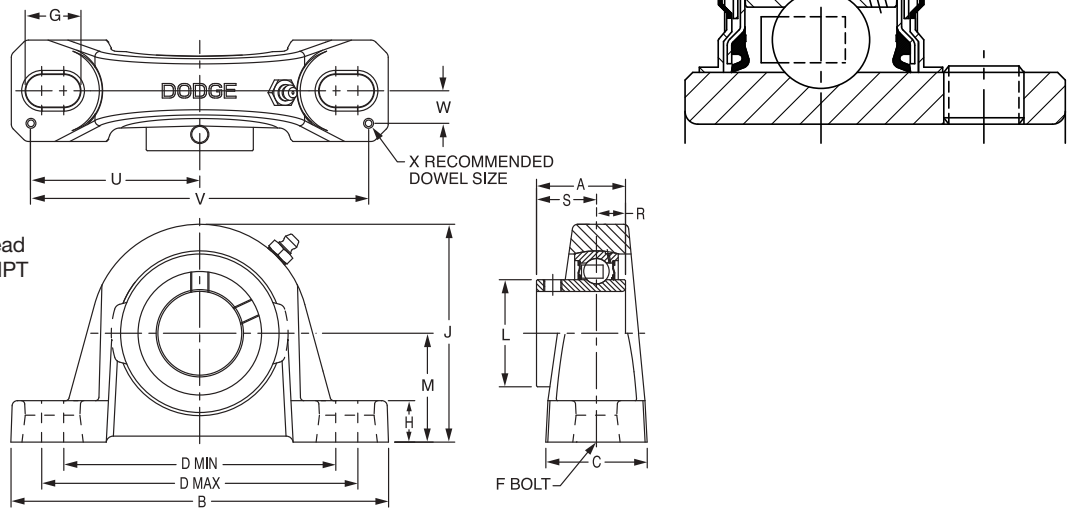
Set screw mounted ball bearings

Selection/Dimensions

Set screw mounted ball bearings SC and SCU normal duty pillow blocks

Lube fitting

203 series - 1/4-28 tapered thread
204 series and larger - 1/8-27 NPT



Series	Shaft size	Standard		No-lube/Seal for life (-NL)	
		Part no.	Description	Part no.	Description
203	1/2	123830	P2B-SC-008	123932	P2B-SC-008-NL
	5/8	123831	P2B-SC-010	126500	P2B-SC-010-NL
	17mm	053170	P2B-SC-17M	@	P2B-SC-17M-NL
203 (SCU)	1/2	123753	P2B-SCU-008	@	P2B-SCU-008-NL
	5/8	123754	P2B-SCU-010	@	P2B-SCU-010-NL
	17mm	125850	P2B-SCU-17M	@	P2B-SCU-17M-NL
204	1/2	123835	P2B-SC-008L	052101	P2B-SC-008L-NL
	5/8	123836	P2B-SC-010L	@	P2B-SC-010L-NL
	3/4	123803	P2B-SC-012	052012	P2B-SC-012-NL
	20mm	125851	P2B-SC-20M	068372	P2B-SC-20M-NL
205	7/8	123804	P2B-SC-014	126502	P2B-SC-014-NL
	15/16	123805	P2B-SC-015	126503	P2B-SC-015-NL
	1	123806	P2B-SC-100	123824	P2B-SC-100-NL
	25mm	125852	P2B-SC-25M	056744	P2B-SC-25M-NL
206	1-1/16	123807	P2B-SC-101	126504	P2B-SC-101-NL
	1-1/8	123808	P2B-SC-102	126505	P2B-SC-102-NL
	1-3/16	123809	P2B-SC-103	123828	P2B-SC-103-NL
	1-1/4	123170	P2B-SC-104S	049852	P2B-SC-104S-NL
	30mm	125853	P2B-SC-30M	074162	P2B-SC-30M-NL
206 (SCU)	1-1/16	123877	P2B-SCU-101	@	P2B-SCU-101-NL
	1-1/8	123878	P2B-SCU-102	@	P2B-SCU-102-NL
	1-3/16	123879	P2B-SCU-103	050837	P2B-SCU-103-NL
	1-1/4	123894	P2B-SCU-104S	073282	P2B-SCU-104S-NL
	30mm	125854	P2B-SCU-30M	@	P2B-SCU-30M-NL
207	1-1/4	123810	P2B-SC-104	123933	P2B-SC-104-NL
	1-5/16	123811	P2B-SC-105	@	P2B-SC-105-NL
	1-3/8	123812	P2B-SC-106	123781	P2B-SC-106-NL
	1-7/16	123813	P2B-SC-107	123792	P2B-SC-107-NL
	35mm	125855	P2B-SC-35M	@	P2B-SC-35M-NL

@ Assembled to order.

Set screw mounted ball bearings

Selection/Dimensions

Set screw mounted ball bearings
SC and SCU normal duty pillow blocks

Series	Shaft size	Wgt. lb kg	A	B	C	D		F bolt dia.	G	H	J	L	M	R	S	U	V	W	X
						Min	Max												
203	1/2	1.1	1.00	5.00	1.20	3.25	4.06	3/8	0.84	0.47	2.14	0.96	1.06	0.36	0.64	2.25	4.50	0.38	0.12
	5/8	1.0	1.00	5.00	1.20	3.25	4.06	3/8	0.84	0.47	2.14	0.96	1.06	0.36	0.64	2.25	4.50	0.38	0.12
	17mm	0.4	25.4	127.0	30.5	82.6	103.1	M10	21.3	11.9	54.4	24.4	27.0	9.1	16.3	57.2	114.3	9.7	3.0
203 SCU	1/2	1.2	1.00	5.00	1.20	3.25	4.06	3/8	0.84	0.59	2.27	0.96	1.19	0.36	0.64	2.25	4.50	0.38	0.12
	5/8	1.0	1.00	5.00	1.20	3.25	4.06	3/8	0.84	0.59	2.27	0.96	1.19	0.36	0.64	2.25	4.50	0.38	0.12
	17mm	0.4	25.4	127.0	30.5	82.6	103.1	M10	21.3	15.0	57.7	24.4	30.2	9.1	16.3	57.2	114.3	9.7	3.0
204	1/2	1.6	1.23	5.25	1.34	3.38	4.19	3/8	0.85	0.53	2.56	1.12	1.31	0.50	0.73	2.25	4.50	0.50	0.12
	5/8	1.5	1.23	5.25	1.34	3.38	4.19	3/8	0.85	0.53	2.56	1.12	1.31	0.50	0.73	2.25	4.50	0.50	0.12
	3/4	1.4	1.23	5.25	1.34	3.38	4.19	3/8	0.85	0.53	2.56	1.12	1.31	0.50	0.73	2.25	4.50	0.50	0.12
	20mm	0.7	31.2	133.4	34.0	85.9	106.4	M10	21.6	13.5	65.0	28.4	33.3	12.7	18.5	57.2	114.3	12.7	3.0
205	7/8	1.8	1.34	5.50	1.40	3.69	4.50	3/8	0.85	0.58	2.77	1.32	1.44	0.56	0.78	2.50	5.00	0.50	0.12
	15/16	1.7	1.34	5.50	1.40	3.69	4.50	3/8	0.85	0.58	2.77	1.32	1.44	0.56	0.78	2.50	5.00	0.50	0.12
	1	1.6	1.34	5.50	1.40	3.69	4.50	3/8	0.85	0.58	2.77	1.32	1.44	0.56	0.78	2.50	5.00	0.50	0.12
	25mm	0.7	34.0	139.7	35.6	93.7	114.3	M10	21.6	14.7	70.4	33.5	36.5	14.2	19.8	63.5	127.0	12.7	3.0
206	1-1/16	2.8	1.52	6.25	1.75	4.25	5.00	1/2	0.94	0.68	3.25	1.57	1.63	0.58	0.94	2.88	5.76	0.56	0.12
	1-1/8	2.7	1.52	6.25	1.75	4.25	5.00	1/2	0.94	0.68	3.25	1.57	1.63	0.58	0.94	2.88	5.76	0.56	0.12
	1-3/16	2.6	1.52	6.25	1.75	4.25	5.00	1/2	0.94	0.68	3.25	1.57	1.63	0.58	0.94	2.88	5.76	0.56	0.12
	1-1/4	2.5	1.52	6.25	1.75	4.25	5.00	1/2	0.94	0.68	3.25	1.57	1.63	0.58	0.94	2.88	5.76	0.56	0.12
	30mm	1.1	38.6	158.8	44.5	108.0	127.0	M12	23.9	17.3	82.6	39.9	41.3	14.7	23.9	73.2	146.3	14.2	3.0
206 SCU	1-1/16	2.9	1.52	6.25	1.75	4.25	5.00	1/2	0.94	0.75	3.31	1.57	1.69	0.58	0.94	2.88	5.76	0.56	0.12
	1-1/8	2.8	1.52	6.25	1.75	4.25	5.00	1/2	0.94	0.75	3.31	1.57	1.69	0.58	0.94	2.88	5.76	0.56	0.12
	1-3/16	2.7	1.52	6.25	1.75	4.25	5.00	1/2	0.94	0.75	3.31	1.57	1.69	0.58	0.94	2.88	5.76	0.56	0.12
	1-1/4	2.6	1.52	6.25	1.75	4.25	5.00	1/2	0.94	0.75	3.31	1.57	1.69	0.58	0.94	2.88	5.76	0.56	0.12
	30mm	1.1	38.6	158.8	44.5	108.0	127.0	M12	23.9	19.1	84.1	39.9	42.9	14.7	23.9	73.2	146.3	14.2	3.0
207	1-1/4	4.5	1.71	6.50	1.75	4.68	5.44	1/2	0.94	0.71	3.75	1.84	1.88	0.67	1.04	2.91	5.82	0.56	0.12
	1-5/16	4.4	1.71	6.50	1.75	4.68	5.44	1/2	0.94	0.71	3.75	1.84	1.88	0.67	1.04	2.91	5.82	0.56	0.12
	1-3/8	4.3	1.71	6.50	1.75	4.68	5.44	1/2	0.94	0.71	3.75	1.84	1.88	0.67	1.04	2.91	5.82	0.56	0.12
	1-7/16	4.2	1.71	6.50	1.75	4.68	5.44	1/2	0.94	0.71	3.75	1.84	1.88	0.67	1.04	2.91	5.82	0.56	0.12
	35mm	1.5	43.4	165.1	44.5	118.9	138.2	M12	23.9	18.0	95.3	46.7	47.6	17.0	26.4	73.9	147.8	14.2	3.0

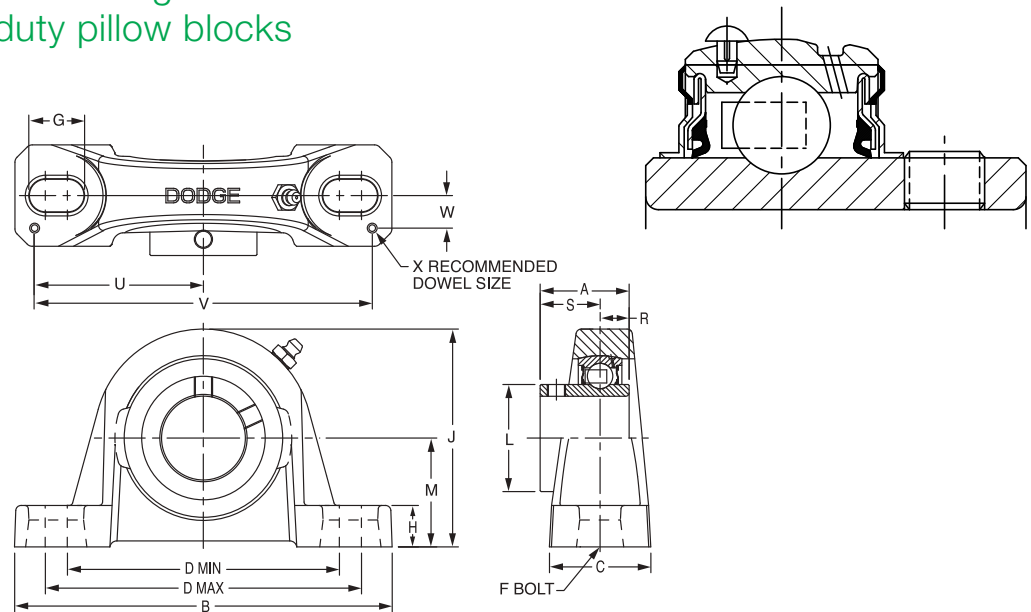
Set screw mounted ball bearings

Selection/Dimensions

Set screw mounted ball bearings SC and SCU normal duty pillow blocks

Lube fitting

203 series - 1/4-28 tapered thread
204 series and larger - 1/8-27 NPT



Series	Shaft size	Standard		No-lube/Sealed for life (-NL)	
		Part no.	Description	Part no.	Description
208	1-1/2	123814	P2B-SC-108	123829	P2B-SC-108-NL
	1-5/8	123815	P2B-SC-110	126510	P2B-SC-110-NL
	40mm	056855	P2B-SC-40M	067679	P2B-SC-40M-NL
209	1-5/8	125169	P2B-SC-110L	073381	P2B-SC-110L-NL
	1-11/16	123816	P2B-SC-111	123784	P2B-SC-111-NL
	1-3/4	123817	P2B-SC-112	123782	P2B-SC-112-NL
	45mm	125857	P2B-SC-45M	067925	P2B-SC-45M-NL
210	1-15/16	123818	P2B-SC-115	123793	P2B-SC-115-NL
	2	123819	P2B-SC-200	123939	P2B-SC-200-NL
	50mm	125858	P2B-SC-50M	058702	P2B-SC-50M-NL
211	2	126815	P2B-SCM-200	126547	P2B-SCM-200-NL
	2-3/16	123820	P2B-SC-203	123783	P2B-SC-203-NL
	2-1/4	123821	P2B-SC-204	126513	P2B-SC-204-NL
	55mm	125859	P2B-SC-55M	@	P2B-SC-55M-NL
212	2-1/4	126817	P2B-SCM-204	@	P2B-SCM-204-NL
	2-7/16	123822	P2B-SC-207	123987	P2B-SC-207-NL
	60mm	125860	P2B-SC-60M	062162	P2B-SC-60M-NL
214	2-1/2	126819	P2B-SCM-208	062178	P2B-SCM-208-NL
	2-11/16	123839	P2B-SC-211	068603	P2B-SC-211-NL
	70mm	125861	P2B-SC-70M	126548	P2B-SC-70M-NL
215	2-15/16	123823	P2B-SC-215	123636	P2B-SC-215-NL
	75mm	125862	P2B-SC-75M	@	P2B-SC-75M-NL
215 (SCU)	2-15/16	123728	P2B-SCU-215	@	P2B-SCU-215-NL
	75mm	052792	P2B-SCU-75M	@	P2B-SCU-75M-NL
218	90mm	052794	P2B-SC-90M	@	P2B-SC-90M-NL

@Assembled to order

Set screw mounted ball bearings

Selection/Dimensions

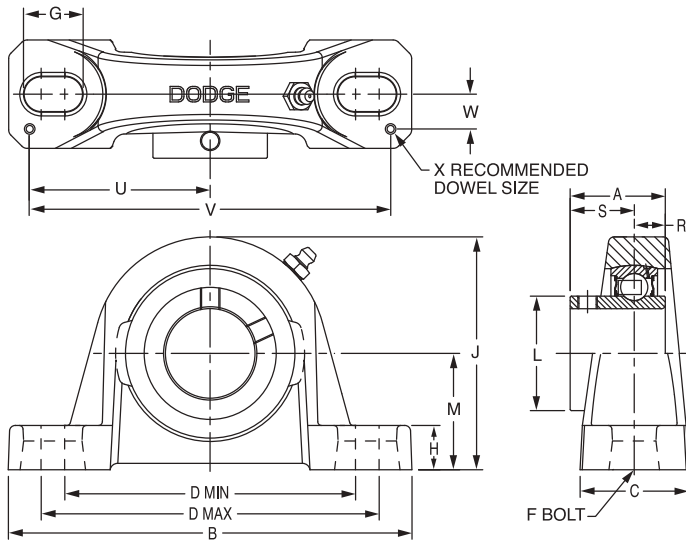
Set screw mounted ball bearings
SC and SCU normal duty pillow blocks

Series	Shaft size	Wgt. lb kg	A	B	C	D		F bolt dia.	G	H	J	L	M	R	S	U	V	W	X
						Min	Max												
208	1-1/2	5.4	1.94	7.25	1.93	5.18	5.88	1/2	0.91	0.93	4.19	2.05	2.13	0.75	1.19	3.26	6.52	0.69	0.12
	1-5/8	5.3	1.94	7.25	1.93	5.18	5.88	1/2	0.91	0.93	4.19	2.05	2.13	0.75	1.19	3.26	6.52	0.69	0.12
	40mm	2.2	49.3	184.2	49.0	131.6	149.4	M12	23.1	23.6	106.4	52.1	54.0	19.1	30.2	82.8	165.6	17.5	3.0
209	1-5/8	6.6	1.94	7.44	2.00	5.50	6.19	1/2	0.90	0.75	4.28	2.22	2.13	0.75	1.19	3.38	6.76	0.69	0.12
	1-11/16	6.4	1.94	7.44	2.00	5.50	6.19	1/2	0.90	0.75	4.28	2.22	2.13	0.75	1.19	3.38	6.76	0.69	0.12
	1-3/4	6.2	1.94	7.44	2.00	5.50	6.19	1/2	0.90	0.75	4.28	2.22	2.13	0.75	1.19	3.38	6.76	0.69	0.12
210	45mm	2.2	49.3	189.0	50.8	139.7	157.2	M12	22.9	19.1	108.7	56.4	54.0	19.1	30.2	85.9	171.7	17.5	3.0
	1-15/16	7.2	1.94	8.12	2.25	6.00	6.68	5/8	1.02	0.75	4.53	2.43	2.25	0.75	1.19	3.69	7.38	0.81	0.12
	2	7.0	1.94	8.12	2.25	6.00	6.68	5/8	1.02	0.75	4.53	2.43	2.25	0.75	1.19	3.69	7.38	0.81	0.12
211	50mm	2.6	49.3	206.2	57.2	152.4	169.7	M16	25.9	19.1	115.1	61.7	57.2	19.1	30.2	93.7	187.5	20.6	3.0
	2	9.0	2.22	8.88	2.30	6.38	7.44	5/8	1.21	0.88	4.96	2.71	2.50	0.87	1.35	3.94	7.88	0.81	0.12
	2-3/16	8.9	2.22	8.88	2.30	6.38	7.44	5/8	1.21	0.88	4.96	2.71	2.50	0.87	1.35	3.94	7.88	0.81	0.12
212	2-1/4	8.8	2.22	8.88	2.30	6.38	7.44	5/8	1.21	0.88	4.96	2.71	2.50	0.87	1.35	3.94	7.88	0.81	0.12
	55mm	3.3	56.4	225.6	58.4	162.1	189.0	M16	30.7	22.4	126.0	68.8	63.5	22.1	34.3	100.1	200.2	20.6	3.0
	2-7/16	10.8	2.31	9.50	2.37	6.88	7.94	5/8	1.21	0.88	5.40	2.97	2.75	0.90	1.41	4.25	8.50	0.88	0.12
214	2-7/16	10.2	2.31	9.50	2.37	6.88	7.94	5/8	1.21	0.88	5.40	2.97	2.75	0.90	1.41	4.25	8.50	0.88	0.12
	60mm	4.2	58.7	241.3	60.2	174.8	201.7	M16	30.7	22.4	137.2	75.4	69.9	22.9	35.8	108.0	215.9	22.4	3.0
	2-1/2	15.5	2.54	10.75	2.69	7.50	8.50	3/4	1.32	0.94	6.09	3.31	3.00	1.06	1.48	4.88	9.76	0.94	0.12
215	2-11/16	15.0	2.54	10.75	2.69	7.50	8.50	3/4	1.32	0.94	6.09	3.31	3.00	1.06	1.48	4.88	9.76	0.94	0.12
	70mm	6.9	64.5	273.1	68.3	190.5	215.9	M18	33.5	23.9	154.7	84.1	76.2	26.9	37.6	124.0	247.9	23.9	3.0
	2-15/16	20.5	2.33	11.75	2.88	8.50	9.50	7/8	1.44	1.00	6.75	3.62	3.50	0.86	1.47	5.48	10.96	1.04	0.12
215 SCU	75mm	7.9	59.2	298.5	73.2	215.9	241.3	M22	36.6	25.4	171.5	91.9	88.9	21.8	37.3	139.2	278.4	26.4	3.0
	75mm	8.0	59.2	298.5	73.2	215.9	241.3	M22	36.6	25.4	165.1	91.9	82.6	21.8	37.3	139.2	278.4	26.4	3.0
218	90mm	13.6	65.0	355.6	85.9	262.1	295.1	M22	40.4	33.3	203.2	110.5	101.6	24.4	40.6	167.6	335.3	30.2	3.0

Set screw mounted ball bearings

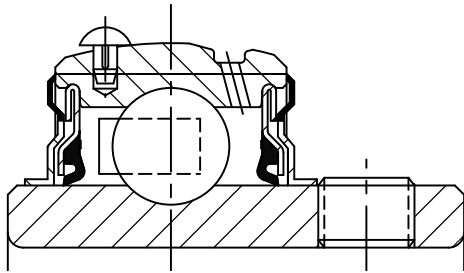
Selection/Dimensions

Set screw mounted ball bearings SCB normal duty pillow blocks



Lube fitting

203 series - 1/4-28 tapered thread
204 series and larger - 1/8-27 NPT



Series	Shaft size	Part no.	Description
203 (SC)	1/2	123830	P2B-SC-008
	5/8	123831	P2B-SC-010
	17mm	053170	P2B-SC-17M
204	1/2	123854	P2B-SCB-008L
	5/8	123855	P2B-SCB-010L
	3/4	123860	P2B-SCB-012
	20mm	124941	P2B-SCB-20M
205	7/8	123861	P2B-SCB-014
	15/16	123862	P2B-SCB-015
	1	123863	P2B-SCB-100
	25mm	125768	P2B-SCB-25M
206	1-1/16	123856	P2B-SCB-101
	1-1/8	123864	P2B-SCB-102
	1-3/16	123865	P2B-SCB-103
	1-1/4	123171	P2B-SCB-104S
	30mm	125760	P2B-SCB-30M
	1-1/4	123866	P2B-SCB-104
207	1-5/16	123857	P2B-SCB-105
	1-3/8	123867	P2B-SCB-106
	1-7/16	123868	P2B-SCB-107
	35mm	124944	P2B-SCB-35M
	1-1/2	123869	P2B-SCB-108
208	1-5/8	123858	P2B-SCB-110
	40mm	125856	P2B-SCB-40M
	1-5/8	068760	P2B-SCB-110L
	1-11/16	123870	P2B-SCB-111
209	1-3/4	123871	P2B-SCB-112
	45mm	051878	P2B-SCB-45M
	1-15/16	123872	P2B-SCB-115
210	2	123873	P2B-SCB-200
	50mm	051879	P2B-SCB-50M
	2	057603	P2B-SCB-200L
211	2-3/16	123874	P2B-SCB-203
	2-1/4	123589	P2B-SCB-204
	55mm	124943	P2B-SCB-55M
	2-1/4	068361	P2B-SCB-204L
212	2-7/16	123875	P2B-SCB-207
	60mm	051880	P2B-SCB-60M
	2-15/16	123727	P2B-SCB-215
215	75mm	@	P2B-SCB-75M

@ Assembled to order.

Set screw mounted ball bearings

Selection/Dimensions

Set screw mounted ball bearings

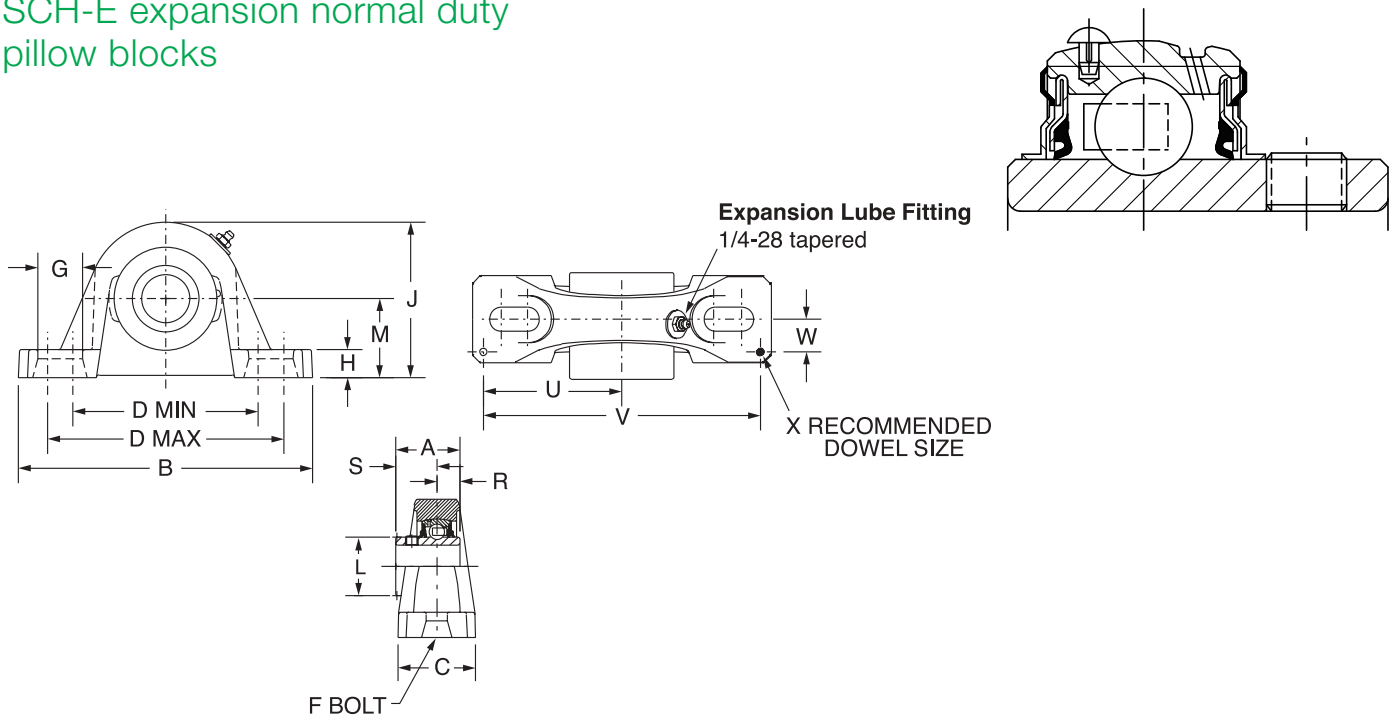
SCB normal duty pillow blocks

Series	Shaft size	Weight		A	B	C	D		F bolt dia.	G	H	J	L	M	R	S	U	V	W	X
		lb	kg				Min	Max												
		203 SC	1/2				1.1	1.00												
	5/8	1.0	1.00	5.00	1.20	3.25	4.06	3/8	0.84	0.47	2.14	0.96	1.06	0.36	0.64	2.25	4.50	0.38	0.12	
	17mm	0.4	25.4	127.0	30.5	82.6	103.1	M10	21.3	11.9	54.4	24.4	26.9	9.1	16.3	57.2	114.3	9.7	3.0	
204	1/2	1.6	1.23	5.25	1.34	3.38	4.19	3/8	0.85	0.47	2.49	1.12	1.25	0.50	0.73	2.25	4.50	0.50	0.12	
	5/8	1.5	1.23	5.25	1.34	3.38	4.19	3/8	0.85	0.47	2.49	1.12	1.25	0.50	0.73	2.25	4.50	0.50	0.12	
	3/4	1.4	1.23	5.25	1.34	3.38	4.19	3/8	0.85	0.47	2.49	1.12	1.25	0.50	0.73	2.25	4.50	0.50	0.12	
	20mm	0.7	31.2	133.4	34.0	85.9	106.4	M10	21.6	11.9	63.2	28.4	31.8	12.7	18.5	57.2	114.3	12.7	3.0	
205	7/8	1.8	1.34	5.50	1.40	3.69	4.50	3/8	0.85	0.45	2.64	1.32	1.31	0.56	0.78	2.50	5.00	0.50	0.12	
	15/16	1.7	1.34	5.50	1.40	3.69	4.50	3/8	0.85	0.45	2.64	1.32	1.31	0.56	0.78	2.50	5.00	0.50	0.12	
	1	1.6	1.34	5.50	1.40	3.69	4.50	3/8	0.85	0.45	2.64	1.32	1.31	0.56	0.78	2.50	5.00	0.50	0.12	
	25mm	0.7	34.0	139.7	35.6	93.7	114.3	M10	21.6	11.4	67.1	33.5	33.3	14.2	19.8	63.5	127.0	12.7	3.0	
206	1-1/16	2.8	1.52	6.25	1.75	4.25	5.00	1/2	0.94	0.62	3.19	1.57	1.56	0.58	0.94	2.88	5.76	0.56	0.12	
	1-1/8	2.7	1.52	6.25	1.75	4.25	5.00	1/2	0.94	0.62	3.19	1.57	1.56	0.58	0.94	2.88	5.76	0.56	0.12	
	1-3/16	2.6	1.52	6.25	1.75	4.25	5.00	1/2	0.94	0.62	3.19	1.57	1.56	0.58	0.94	2.88	5.76	0.56	0.12	
	1-1/4	2.5	1.52	6.25	1.75	4.25	5.00	1/2	0.94	0.62	3.19	1.57	1.56	0.58	0.94	2.88	5.76	0.56	0.12	
	30mm	1.1	38.6	158.8	44.5	108.0	127.0	M12	23.9	15.8	81.0	39.9	39.6	14.7	23.9	73.2	146.3	14.2	3.0	
207	1-1/4	4.5	1.71	6.50	1.75	4.68	5.44	1/2	0.94	0.65	3.69	1.84	1.81	0.67	1.04	2.91	5.82	0.56	0.12	
	1-5/16	4.4	1.71	6.50	1.75	4.68	5.44	1/2	0.94	0.65	3.69	1.84	1.81	0.67	1.04	2.91	5.82	0.56	0.12	
	1-3/8	45.3	1.71	6.50	1.75	4.68	5.44	1/2	0.94	0.65	3.69	1.84	1.81	0.67	1.04	2.91	5.82	0.56	0.12	
	1-7/16	4.2	1.71	6.50	1.75	4.68	5.44	1/2	0.94	0.65	3.69	1.84	1.81	0.67	1.04	2.91	5.82	0.56	0.12	
	35mm	1.5	43.4	165.1	44.5	118.9	138.2	M12	23.9	16.5	93.7	46.7	46.0	17.0	26.4	73.9	147.8	14.2	3.0	
208	1-1/2	5.4	1.94	7.25	1.93	5.18	5.88	1/2	0.91	0.75	4.00	2.05	1.94	0.75	1.19	3.26	6.52	0.69	0.12	
	1-5/8	5.3	1.94	7.25	1.93	5.18	5.88	1/2	0.91	0.75	4.00	2.05	1.94	0.75	1.19	3.26	6.52	0.69	0.12	
	40mm	2.2	49.3	184.2	49.0	131.6	149.4	M12	23.1	19.1	101.6	52.1	49.3	19.1	30.2	82.8	165.6	17.5	3.0	
209	1-5/8	6.6	1.94	7.44	2.00	5.50	6.19	1/2	0.90	0.69	4.21	2.22	2.06	0.75	1.19	3.38	6.76	0.69	0.12	
	1-11/16	6.4	1.94	7.44	2.00	5.50	6.19	1/2	0.90	0.69	4.21	2.22	2.06	0.75	1.19	3.38	6.76	0.69	0.12	
	1-3/4	6.2	1.94	7.44	2.00	5.50	6.19	1/2	0.90	0.69	4.21	2.22	2.06	0.75	1.19	3.38	6.76	0.69	0.12	
	45mm	2.2	49.3	189.0	50.8	139.7	157.2	M12	22.9	17.5	106.9	56.4	52.3	19.1	30.2	85.9	171.7	17.5	3.0	
210	1-15/16	78.2	1.94	8.12	2.25	6.00	6.68	5/8	1.02	0.68	4.47	2.43	2.19	0.75	1.19	3.69	7.38	0.81	0.12	
	2	7.0	1.94	8.12	2.25	6.00	6.68	5/8	1.02	0.68	4.47	2.43	2.19	0.75	1.19	3.69	7.38	0.81	0.12	
	50mm	2.6	49.3	206.2	57.2	152.4	169.7	M16	25.9	17.3	113.5	61.7	55.6	19.1	30.2	93.7	187.5	20.6	3.0	
211	2	9.0	2.22	8.88	2.30	6.38	7.44	5/8	1.21	0.81	4.90	2.71	2.44	0.87	1.35	3.94	7.88	0.81	0.12	
	2-3/16	8.9	2.22	8.88	2.30	6.38	7.44	5/8	1.21	0.81	4.90	2.71	2.44	0.87	1.35	3.94	7.88	0.81	0.12	
	2-1/4	8.8	2.22	8.88	2.30	6.38	7.44	5/8	1.21	0.81	4.90	2.71	2.44	0.87	1.35	3.94	7.88	0.81	0.12	
	55mm	3.3	56.4	225.6	58.4	162.1	189.0	M16	30.7	20.6	124.5	68.8	62.0	22.1	34.3	100.1	200.2	20.6	3.0	
212	2-1/4	10.8	2.31	9.50	2.37	6.88	7.94	5/8	1.21	0.81	5.34	2.97	2.69	0.90	1.41	4.25	8.50	0.88	0.12	
	2-7/16	10.2	2.31	9.50	2.37	6.88	7.94	5/8	1.21	0.81	5.34	2.97	2.69	0.90	1.41	4.25	8.50	0.88	0.12	
	60mm	4.2	58.7	241.3	60.2	174.8	201.7	M16	30.7	20.6	135.6	75.4	68.3	22.9	35.8	108.0	215.9	22.4	3.0	
215	2-15/16	20.5	2.33	11.75	2.88	8.50	9.50	7/8	1.44	1.06	6.56	3.62	3.31	0.86	1.47	5.48	10.96	1.04	0.12	
	75mm	7.9	59.2	298.5	73.2	215.9	241.3	M22	36.6	26.9	166.6	91.9	84.1	21.8	37.3	139.2	278.4	26.4	3.0	

Set screw mounted ball bearings

Selection/Dimensions

Set screw mounted ball bearings
SCH-E expansion normal duty
pillow blocks



Series	Shaft size	Expansion		Non-expansion	
		Part number	Description	Part number	Description
205	1	064637	P2B-SCH-100-E	126147	P2B-SCM-100
	25mm	073418	P2B-SCH-25M-E	125925	P2B-SCM-25M
206	1-1/16	@	P2B-SCH-101-E	-----	-----
	1-1/8	@	P2B-SCH-102-E	-----	-----
	1 3/16	126405	P2B-SCH-103-E	126147	P2B-SCM-103
	1-1/4	053183	P2B-SCH-104S-E	123810	P2B-SC-104
	30mm	053021	P2B-SCH-30M-E	125926	P2B-SCM-30M
207	1-1/4	@	P2B-SCH-104-E	-----	-----
	1-5/16	@	P2B-SCH-105-E	-----	-----
	1-3/8	@	P2B-SCH-106-E	-----	-----
	1-7/16	126406	P2B-SCH-107-E	126810	P2B-SCM-107
	35mm	073358	P2B-SCH-35M-E	125927	P2B-SCM-35M
209	1-5/8	@	P2B-SCH-110L-E	-----	-----
	1-11/16	057414	P2B-SCH-111-E	126812	P2B-SCM-111
	1-3/4	074926	P2B-SCH-112-E	126813	P2B-SCM-112
	45mm	056481	P2B-SCH-45M-E	125929	P2B-SCM-45M
210	1-15/16	126407	P2B-SCH-115-E	126814	P2B-SCM-115
	2	052224	P2B-SCH-200-E	126815	P2B-SCM-200
	50mm	056483	P2B-SCH-50M-E	125930	P2B-SCM-50M
211	2-3/16	126408	P2B-SCH-203-E	126816	P2B-SCM-203
	2-1/4	068800	P2B-SCH-204-E	126817	P2B-SCM-204
	55mm	053025	P2B-SCH-55M-E	125931	P2B-SCM-55M
212	2-7/16	126409	P2B-SCH-207-E	126818	P2B-SCM-207
	60mm	@	P2B-SCH-60M-E	-----	-----

@Assembled to order

Set screw mounted ball bearings

Selection/Dimensions

Set screw mounted ball bearings SCH-E expansion normal duty pillow blocks

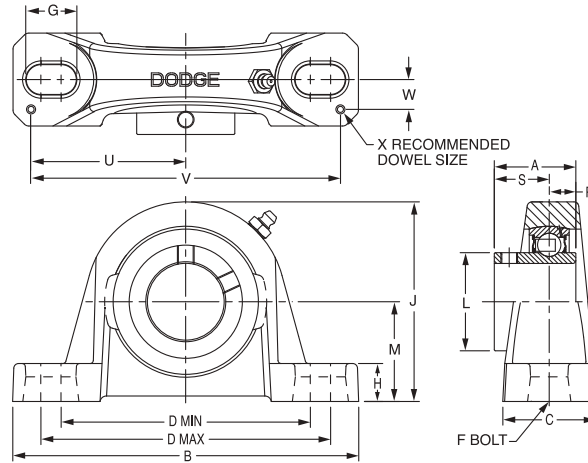
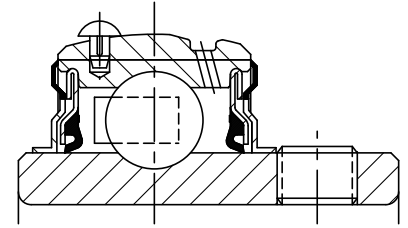
Series	Shaft size	Weight lb kg	A	B	C	D		F	G	H	J
						Min.	Max.				
205	1	2.8	1.34	6.25	1.75	4.25	5.00	1/2	0.94	0.75	3.31
	25mm	1.2	34.0	158.8	44.5	108.0	127.0	M12	23.9	19.1	84.1
206	1-1/16	4.8	1.52	6.50	1.75	4.68	5.44	1/2	0.94	0.71	3.75
	1-1/8	4.7	1.52	6.50	1.75	4.68	5.44	1/2	0.94	0.71	3.75
	1 3/16	4.6	1.52	6.50	1.75	4.68	5.44	1/2	0.94	0.71	3.75
	1-1/4	4.5	1.52	6.50	1.75	4.68	5.44	1/2	0.94	0.71	3.75
	30mm	1.9	38.6	165.1	44.5	118.9	138.2	M12	23.9	18.0	95.3
207	1-1/4	6.7	1.71	7.25	1.93	5.18	5.88	1/2	0.91	0.93	4.19
	1-5/16	6.6	1.71	7.25	1.93	5.18	5.88	1/2	0.91	0.93	4.19
	1-3/8	6.5	1.71	7.25	1.93	5.18	5.88	1/2	0.91	0.93	4.19
	1-7/16	6.4	1.71	7.25	1.93	5.18	5.88	1/2	0.91	0.93	4.19
	35mm	2.7	43.4	184.2	49.0	131.6	149.4	M12	23.1	23.6	106.4
209	1-5/8	6.4	1.94	8.12	2.25	6.00	6.68	5/8	1.02	0.75	4.53
	1-11/16	6.3	1.94	8.12	2.25	6.00	6.68	5/8	1.02	0.75	4.53
	1-3/4	6.2	1.94	8.12	2.25	6.00	6.68	5/8	1.02	0.75	4.53
	45mm	2.6	49.3	206.2	57.2	152.4	169.7	M16	25.9	19.1	115.1
210	1-15/16	9.8	1.94	8.88	2.30	6.38	7.44	5/8	1.21	0.88	4.96
	2	9.7	1.94	8.88	2.30	6.38	7.44	5/8	1.21	0.88	4.96
	50mm	4.0	49.3	225.6	58.4	162.1	189.0	M16	30.7	22.4	126.0
211	2-3/16	14.3	2.22	9.50	2.37	6.88	7.94	5/8	1.21	0.88	5.40
	2-1/4	14.2	2.22	9.50	2.37	6.88	7.94	5/8	1.21	0.88	5.40
	55mm	5.9	56.4	241.3	60.2	174.8	201.7	M16	30.7	22.4	137.2
212	2-7/16	16.6	2.31	10.75	2.69	7.50	8.50	3/4	1.32	0.94	6.09
	60mm	6.8	58.7	273.1	68.3	190.5	215.9	M18	33.5	23.8	154.7

Series	Shaft size	L	M	R	S	T total expansion	U	V	W	X
205	1	1.32	1.69	0.56	0.78	0.16	2.88	5.76	0.56	0.12
	25mm	33.5	42.9	14.2	19.8	4.1	73.2	146.3	14.2	3.0
206	1-1/16	1.57	1.88	0.58	0.94	0.16	2.91	5.82	0.56	0.12
	1-1/8	1.57	1.88	0.58	0.94	0.16	2.91	5.82	0.56	0.12
	1 3/16	1.57	1.88	0.58	0.94	0.16	2.91	5.82	0.56	0.12
	1-1/4	1.57	1.88	0.58	0.94	0.16	2.91	5.82	0.56	0.12
	30mm	39.9	47.8	14.7	23.9	4.1	73.9	147.8	14.2	3.0
207	1-1/4	1.84	2.13	0.67	1.04	0.16	3.26	6.52	0.69	0.12
	1-5/16	1.84	2.13	0.67	1.04	0.16	3.26	6.52	0.69	0.12
	1-3/8	1.84	2.13	0.67	1.04	0.16	3.26	6.52	0.69	0.12
	1-7/16	1.84	2.13	0.67	1.04	0.16	3.26	6.52	0.69	0.12
	35mm	46.7	54.1	17.0	26.4	4.1	82.8	165.6	17.5	3.0
209	1-5/8	2.05	2.25	0.75	1.19	0.25	3.69	7.38	0.81	0.12
	1-11/16	2.05	2.25	0.75	1.19	0.25	3.69	7.38	0.81	0.12
	1-3/4	2.05	2.25	0.75	1.19	0.25	3.69	7.38	0.81	0.12
	45mm	52.1	57.2	19.1	30.2	6.4	93.7	187.5	20.6	3.0
210	1-15/16	2.43	2.50	0.75	1.19	0.22	3.94	7.88	0.81	0.12
	2	2.43	2.50	0.75	1.19	0.22	3.94	7.88	0.81	0.12
	50mm	61.7	63.5	19.1	30.2	5.6	100.1	200.2	20.6	3.0
211	2-3/16	2.71	2.75	.87	1.35	0.22	4.25	8.50	0.88	0.12
	2-1/4	2.71	2.75	.87	1.35	0.22	4.25	8.50	0.88	0.12
	55mm	68.8	69.9	22.1	34.3	5.6	108.0	215.9	22.4	3.0
212	2-7/16	2.97	3.00	0.90	1.41	0.22	4.88	9.76	0.94	0.12
	60mm	75.4	76.2	22.9	35.8	5.6	124.0	247.9	23.9	3.0

Set screw mounted ball bearings

Selection/Dimensions

Set screw mounted ball bearings SCM medium duty pillow blocks



Lube fitting

203 series - 1/4-28 tapered thread
204 series and larger - 1/8-27 NPT

Series	Shaft size	Standard		No-lube/Sealed for life (-NL)	
		Part no.	Description	Part no.	Description
206	1	126147	P2B-SCM-100	058624	P2B-SCM-100-NL
	25mm	125925	P2B-SCM-25M	@	P2B-SCM-25M-NL
206 (SCMU)	1	064249	P2B-SCMU-100	@	P2B-SCMU-100-NL
	25mm	@	P2B-SCMU-25M	@	P2B-SCMU-25M-NL
207	1-3/16	126148	P2B-SCM-103	052275	P2B-SCM-103-NL
	1-1/4	123810	P2B-SC-104	123933	P2B-SC-104-NL
	30mm	125926	P2B-SCM-30M	077777	P2B-SCM-30M-NL
208	1-7/16	126810	P2B-SCM-107	126855	P2B-SCM-107-NL
	35mm	125927	P2B-SCM-35M	@	P2B-SCM-35M-NL
209	1-1/2	126811	P2B-SCM-108	058400	P2B-SCM-108-NL
	1-5/8	125169	P2B-SC-110L	@	P2B-SC-110L-NL
	40mm	125928	P2B-SCM-40M	@	P2B-SCM-40M-NL
210	1-11/16	126812	P2B-SCM-111	075105	P2B-SCM-111-NL
	1-3/4	126813	P2B-SCM-112	@	P2B-SCM-112-NL
	45mm	125929	P2B-SCM-45M	@	P2B-SLM-45M-NL
211	1-15/16	126814	P2B-SCM-115	126856	P2B-SCM-115-NL
	2	126815	P2B-SCM-200	126547	P2B-SCM-200-NL
	50mm	125930	P2B-SCM-50M	065548	P2B-SCM-50M-NL
212	2-3/16	126816	P2B-SCM-203	052005	P2B-SCM-203-NL
	2-1/4	126817	P2B-SCM-204	@	P2B-SCM-204-NL
	55mm	125931	P2B-SCM-55M	@	P2B-SCM-55M-NL
214	2-7/16	126818	P2B-SCM-207	126857	P2B-SCM-207-NL
	2-1/2	126819	P2B-SCM-208	062178	P2B-SCM-208-NL
	65mm	125932	P2B-SCM-65M	068025	P2B-SCM-65M-NL
215	2-11/16	126820	P2B-SCM-211	126533	P2B-SCM-211-NL
	70mm	125933	P2B-SCM-70M	@	P2B-SC-70M-NL
216	2-15/16	126821	P2B-SCM-215	126534	P2B-SCM-215-NL
	3	126822	P2B-SCM-300	126535	P2B-SCM-300-NL
	75mm	125934	P2B-SCM-75M	062186	P2B-SCM-75M-NL
218	3-7/16	126823	P2B-SCM-307	@	P2B-SCM-307-NL
	3-1/2	126824	P2B-SCM-308	@	P2B-SCM-308-NL
	85mm	125935	PWB-SCM-85M	@	PWB-SCM-85M-NL

@ Assembled to order

Set screw mounted ball bearings

Selection/Dimensions

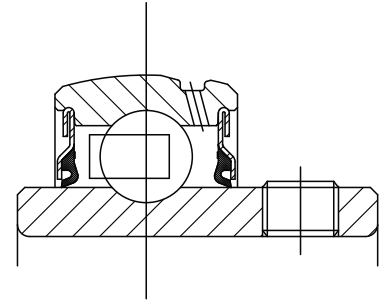
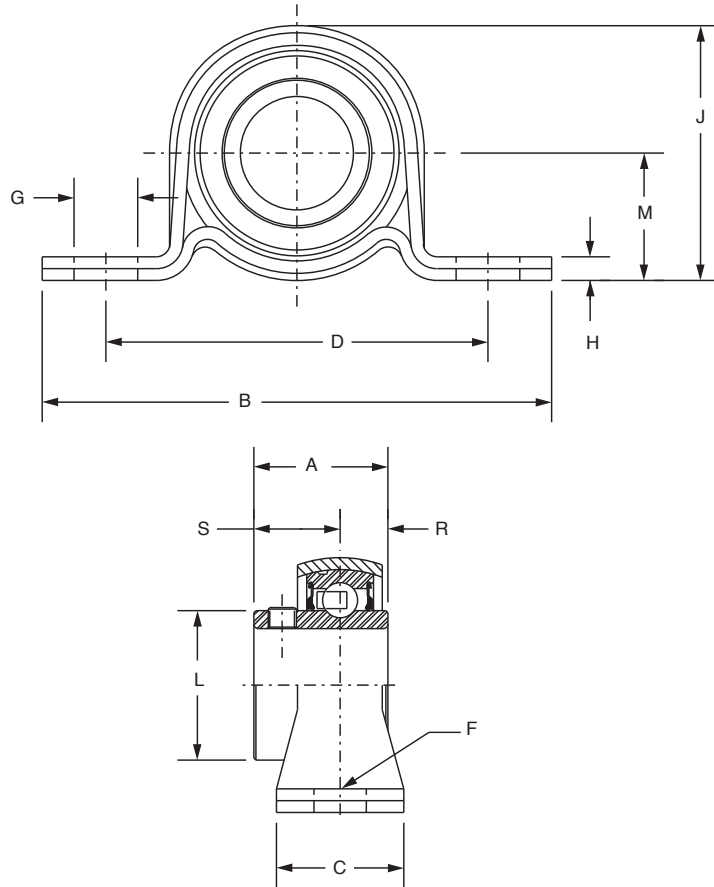
Set screw mounted ball bearings SCM medium duty pillow blocks

Series	Shaft size	Weight		A	B	C	D		F	G	H	J	L	M	R	S	U	V	W	X
		lb	kg				Min.	Max.												
206	1	3.0	1.52	6.25	1.75	4.25	5.00	1/2	0.94	0.68	3.25	1.57	1.63	0.58	0.94	2.88	5.76	0.56	0.12	
	25mm	1.3	38.6	158.8	44.5	108.0	127.0	M12	23.9	17.3	82.6	39.9	41.3	14.7	23.9	73.2	146.3	14.2	3.0	
206 SCMU	1	3.1	1.52	6.25	1.75	4.25	5.00	1/2	0.94	0.81	3.37	1.57	1.75	0.58	0.94	2.88	5.76	0.56	0.12	
	25mm	1.4	38.6	158.8	44.5	108.0	127.0	M12	23.9	20.6	85.6	39.9	44.5	14.7	23.9	73.2	146.3	14.2	3.0	
207	1-3/16	4.6	1.71	6.50	1.75	4.68	5.44	1/2	0.94	0.71	3.75	1.84	1.88	0.67	1.04	2.91	5.82	0.56	0.12	
	1-1/4	4.2	1.71	6.50	1.75	4.68	5.44	1/2	0.94	0.71	3.75	1.84	1.88	0.67	1.04	2.91	5.82	0.56	0.12	
	30mm	2.0	43.4	165.1	44.5	118.9	138.2	M12	23.9	18.0	95.3	46.7	47.6	17.0	26.4	73.9	147.8	14.2	3.0	
208	1-7/16	5.4	1.94	7.25	1.93	5.18	5.88	1/2	0.91	0.93	4.19	2.05	2.13	0.75	1.19	3.26	6.52	0.69	0.12	
	35mm	2.3	49.3	184.2	49.0	131.6	149.4	M12	23.1	23.6	106.4	52.1	54.0	19.1	30.2	82.8	165.6	17.5	3.0	
209	1-1/2	6.4	1.94	7.44	2.00	5.50	6.19	1/2	0.90	0.75	4.28	2.22	2.13	0.75	1.19	3.38	6.76	0.69	0.12	
	1-5/8	6.3	1.94	7.44	2.00	5.50	6.19	1/2	0.90	0.75	4.28	2.22	2.13	0.75	1.19	3.38	6.76	0.69	0.12	
	40mm	2.7	49.3	189.0	50.8	139.7	157.2	M12	22.9	19.1	108.7	56.4	54.0	19.1	30.2	85.9	171.7	17.5	3.0	
210	1-11/16	7.4	1.94	8.12	2.25	6.00	6.68	5/8	1.02	0.75	4.53	2.43	2.25	0.75	1.19	3.69	7.38	0.81	0.12	
	1-3/4	7.3	1.94	8.12	2.25	6.00	6.68	5/8	1.02	0.75	4.53	2.43	2.25	0.75	1.19	3.69	7.38	0.81	0.12	
	45mm	3.2	49.3	206.2	57.2	152.4	169.7	M16	25.9	19.1	115.1	61.7	57.2	19.1	30.2	93.7	187.5	20.6	3.0	
211	1-15/16	9.2	2.22	8.88	2.30	6.38	7.44	5/8	1.21	0.88	4.96	2.71	2.50	0.87	1.35	3.94	7.88	0.81	0.12	
	2	9.0	2.22	8.88	2.30	6.38	7.44	5/8	1.21	0.88	4.96	2.71	2.50	0.87	1.35	3.94	7.88	0.81	0.12	
	50mm	3.9	56.4	225.6	58.4	162.1	189.0	M16	30.7	22.4	126.0	68.8	63.5	22.1	34.3	100.1	200.2	20.6	3.0	
212	2-3/16	11.0	2.31	9.50	2.37	6.88	7.94	5/8	1.21	0.88	5.40	2.97	2.75	0.90	1.41	4.25	8.50	0.88	0.12	
	2-1/4	10.8	2.31	9.50	2.37	6.88	7.94	5/8	1.21	0.88	5.40	2.97	2.75	0.90	1.41	4.25	8.50	0.88	0.12	
	55mm	4.7	58.7	241.3	60.2	174.8	201.7	M16	30.7	22.4	137.2	75.4	69.9	22.9	35.8	108.0	215.9	22.4	3.0	
214	2-7/16	15.7	2.54	10.75	2.69	7.50	8.50	3/4	1.32	0.94	6.09	3.31	3.00	1.06	1.48	4.88	9.76	0.94	0.12	
	2-1/2	15.5	2.54	10.75	2.69	7.50	8.50	3/4	1.32	0.94	6.09	3.31	3.00	1.06	1.48	4.88	9.76	0.94	0.12	
	65mm	6.7	64.5	273.1	68.3	190.5	215.9	M18	33.5	23.9	154.7	84.1	76.2	26.9	37.6	124.0	247.9	23.9	3.0	
215	2-11/16	21.0	2.33	11.75	2.88	8.50	9.50	7/8	1.44	1.00	6.75	3.62	3.50	0.86	1.47	5.48	10.96	1.04	0.12	
	70mm	9.0	59.2	298.5	73.2	215.9	241.3	M22	36.6	25.4	171.5	91.9	88.9	21.8	37.3	139.2	278.4	26.4	3.0	
216	2-15/16	21.3	2.38	11.75	3.00	8.50	9.50	7/8	1.44	1.25	6.97	3.83	3.50	0.88	1.50	5.50	11.00	1.09	0.12	
	3	21.1	2.38	11.75	3.00	8.50	9.50	7/8	1.44	1.25	6.97	3.83	3.50	0.88	1.50	5.50	11.00	1.09	0.12	
	75mm	9.0	60.5	298.5	76.2	215.9	241.3	M22	36.6	31.8	177.0	97.3	88.9	22.4	38.1	139.7	279.4	27.7	3.0	
218	3-7/16	31.8	2.56	14.00	3.38	10.32	11.62	7/8	1.59	1.31	8.00	4.35	4.00	0.96	1.60	6.60	13.20	1.19	0.12	
	3-1/2	31.3	2.56	14.00	3.38	10.32	11.62	7/8	1.59	1.31	8.00	4.35	4.00	0.96	1.60	6.60	13.20	1.19	0.12	
	85mm	13.6	65.0	355.6	85.9	262.1	295.1	M22	40.4	33.3	203.2	110.5	101.6	24.4	40.6	167.6	335.3	30.2	3.0	

Set screw mounted ball bearings

Selection/Dimensions

Set screw mounted ball bearings
SL light duty pillow blocks



Series	Shaft size	Part no.	Description
203	1/2	059637	P2B-SL-008
	5/8	128197	P2B-SL-010
	17mm	@	P2BSL-17M
204	3/4	128106	P2B-SL-012
	20mm	@	P2B-SL-20M
205	7/8	128170	P2B-SL-014
	15/16	128171	P2B-SL-015
	1	128107	P2B-SL-100
206	25mm	068068	P2B-SL-25M
	1-1/8	128172	P2B-SL-102
	1-3/16	128108	P2B-SL-103
207	1-1/4	128111	P2B-SL-104S
	30mm	049944	P2B-SL-30M
	1-1/4	128109	P2B-SL-104
	1-3/8	128173	P2B-SL-106
	1-7/16	128110	P2B-SL-107
	35mm	@	P2B-SL-35M

@ Assembled to order

Set screw mounted ball bearings

Selection/Dimensions

Set screw mounted ball bearings

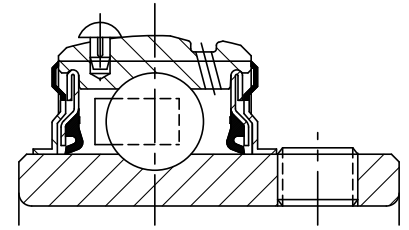
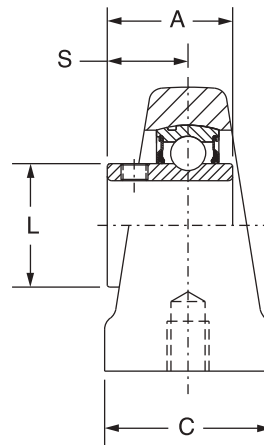
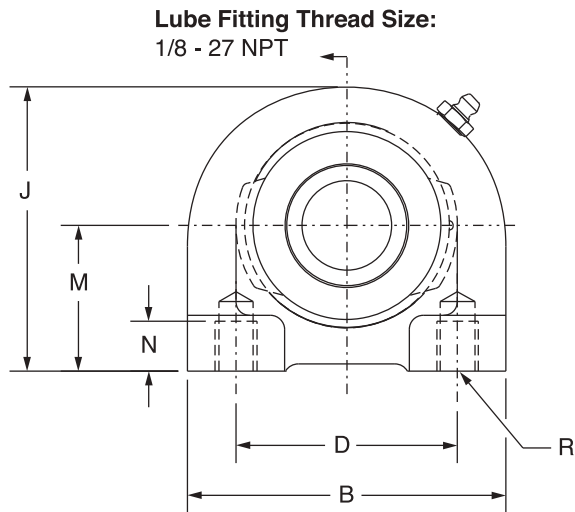
SL light duty pillow blocks

Series	Shaft size	Weight lb kg	A	B	C	D	F bolt dia.	G	H	J	L	M	R	S	Housing radial load rating (lb)
203	1/2	0.51	1.00	3.63	1.00	2.69	1/4	0.50	0.13	1.75	0.96	0.88	0.36	0.64	250
	5/8	0.49	1.00	3.63	1.00	2.69	1/4	0.50	0.13	1.75	0.96	0.88	0.36	0.64	250
	17mm	0.2	25.4	92.2	25.4	68.3	M6	12.7	3.3	44.5	24.4	22.4	9.1	16.3	1,112
204	3/4	0.61	1.02	4.13	1.00	3.00	3/8	0.50	0.15	2.06	1.12	1.00	0.29	0.73	350
	20mm	0.3	25.9	104.9	25.4	76.2	M10	12.7	3.8	52.3	28.4	25.4	7.4	18.5	1,556
205	7/8	0.79	1.06	4.50	1.13	3.38	3/8	0.56	0.21	2.22	1.32	1.13	0.30	0.76	400
	15/16	0.76	1.06	4.50	1.13	3.38	3/8	0.56	0.21	2.22	1.32	1.13	0.30	0.76	400
	1	0.73	1.06	4.50	1.13	3.38	3/8	0.56	0.21	2.22	1.32	1.13	0.30	0.76	400
	25mm	0.4	26.9	114.3	28.7	85.9	M10	14.2	5.3	56.4	33.5	28.7	7.6	19.3	1,779
206	1-1/8	1.14	1.26	4.88	1.25	3.75	3/8	0.56	0.24	2.62	1.57	1.31	0.35	0.91	600
	1-3/16	1.12	1.26	4.88	1.25	3.75	3/8	0.56	0.24	2.62	1.57	1.31	0.35	0.91	600
	1-1/4	1.10	1.26	4.88	1.25	3.75	3/8	0.56	0.24	2.62	1.57	1.31	0.35	0.91	600
	30mm	0.5	32.0	124.0	31.8	95.3	M10	14.2	6.1	66.5	39.9	33.3	8.9	23.1	2,668
207	1-1/4	1.54	1.40	5.75	1.25	4.25	1/2	0.75	0.24	3.12	1.84	1.56	0.37	1.03	800
	1-3/8	1.50	1.40	5.75	1.25	4.25	1/2	0.75	0.24	3.12	1.84	1.56	0.37	1.03	800
	1-7/16	1.48	1.40	5.75	1.25	4.25	1/2	0.75	0.24	3.12	1.84	1.56	0.37	1.03	800
	35mm	0.7	35.6	146.1	31.8	108.0	M12	19.1	6.1	79.2	46.7	39.6	9.4	26.2	3,557

Set screw mounted ball bearings

Selection/Dimensions

Set screw mounted ball bearings
SC normal duty tapped base
pillow blocks



Series	Shaft size	Part no.	Description
204	1/2	124460	TB-SC-008
	5/8	124461	TB-SC-010
	3/4	124462	TB-SC-012
	20mm	130354	TB-SC-20M
205	7/8	124463	TB-SC-014
	15/16	124464	TB-SC-015
	1	124465	TB-SC-100
	25mm	130355	TB-SC-25M
206	1-1/16	124466	TB-SC-101
	1-1/8	124467	TB-SC-102
	1-3/16	124468	TB-SC-103
	1-1/4	124469	TB-SC-104S
	30mm	130356	TB-SC-30M
207	1-1/4	124470	TB-SC-104
	1-5/16	124471	TB-SC-105
	1-3/8	124472	TB-SC-106
	1-7/16	124473	TB-SC-107
208	35mm	130357	TB-SC-35M
	1-1/2	124479	TB-SC-108
	1-5/8	128998	TB-SC-110
209	40mm	130358	TB-SC-40M
	1-5/8	049859	TB-SC-110L
	1-11/16	054548	TB-SC-111
	1-3/4	054781	TB-SC-112
210	45mm	130359	TB-SC-45M
	1-15/16	124478	TB-SC-115
	2	052472	TB-SC-200
211	50mm	130360	TB-SC-50M
	2	124480	TB-SC-200L
	2-3/16	050386	TB-SC-203
	2-1/4	054436	TB-SC-204
	55mm	130361	TB-SC-55M

Set screw mounted ball bearings

Selection/Dimensions

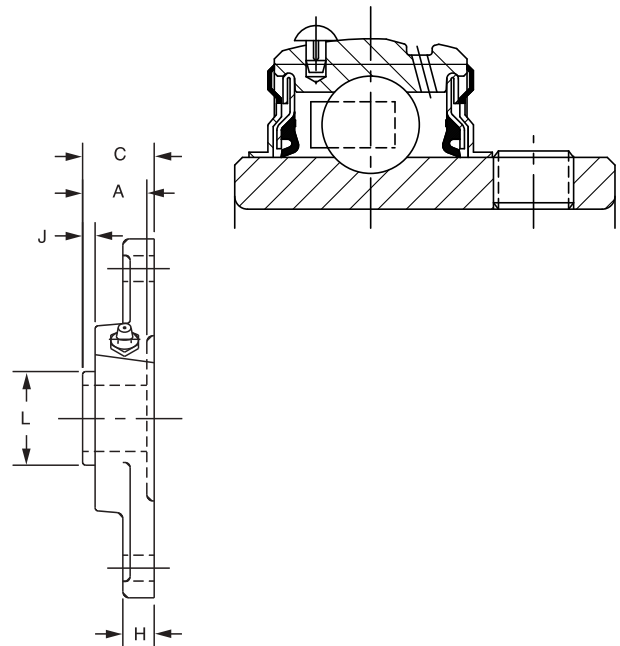
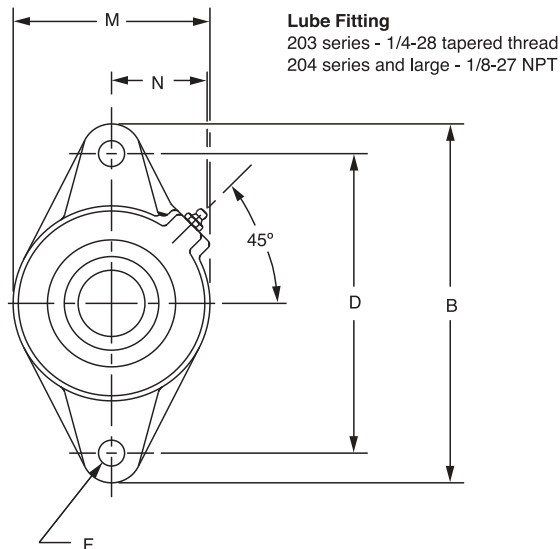
Set screw mounted ball bearings
SC normal duty tapped base
pillow blocks

Series	Shaft size	Weight lb kg	A	B	C	D	J	L	M	N	R	S
204	1/2	1.56	1.23	2.88	1.50	2.00	2.56	1.12	1.31	0.50	3/8-16	0.73
	5/8	1.53	1.23	2.88	1.50	2.00	2.56	1.12	1.31	0.50	3/8-16	0.73
	3/4	1.50	1.23	2.88	1.50	2.00	2.56	1.12	1.31	0.50	3/8-16	0.73
	20mm	0.06	31.2	73.2	38.1	50.8	65.0	28.4	33.4	12.7	M8x1.25	18.5
205	7/8	1.93	1.34	3.00	1.50	2.00	2.81	1.32	1.44	0.50	3/8-16	0.78
	15/16	1.90	1.34	3.00	1.50	2.00	2.81	1.32	1.44	0.50	3/8-16	0.78
	1	1.87	1.34	3.00	1.50	2.00	2.81	1.32	1.44	0.50	3/8-16	0.78
	25mm	0.07	34.0	76.2	38.1	50.8	71.4	33.5	36.5	12.7	M10x1.5	19.8
206	1-1/16	2.66	1.52	4.00	1.50	3.00	3.38	1.57	1.69	0.63	7/16-14	0.94
	1-1/8	2.62	1.52	4.00	1.50	3.00	3.38	1.57	1.69	0.63	7/16-14	0.94
	1-3/16	2.59	1.52	4.00	1.50	3.00	3.38	1.57	1.69	0.63	7/16-14	0.94
	1-1/4	2.56	1.52	4.00	1.50	3.00	3.38	1.57	1.69	0.63	7/16-14	0.94
	30mm	0.10	38.6	101.6	38.1	76.2	85.9	39.9	42.9	16.0	M10x1.5	23.9
207	1-1/4	3.41	1.71	4.25	1.88	3.25	3.75	1.84	1.88	0.75	1/2-13	1.04
	1-5/16	3.36	1.71	4.25	1.88	3.25	3.75	1.84	1.88	0.75	1/2-13	1.04
	1-3/8	3.34	1.71	4.25	1.88	3.25	3.75	1.84	1.88	0.75	1/2-13	1.04
	1-7/16	3.25	1.71	4.25	1.88	3.25	3.75	1.84	1.88	0.75	1/2-13	1.04
	35mm	0.13	43.4	108.0	47.8	82.6	95.3	46.7	47.6	19.1	M10x1.5	26.4
208	1-1/2	4.10	1.94	4.63	1.88	3.50	3.94	2.05	1.94	0.75	1/2-13	1.19
	1-5/8	4.00	1.94	4.63	1.88	3.50	3.94	2.05	1.94	0.75	1/2-13	1.19
	40mm	0.16	49.3	117.6	47.8	88.9	100.1	52.1	49.2	19.1	M12x1.75	30.2
209	1-5/8	5.20	1.94	5.00	2.00	3.75	4.25	2.22	2.13	0.75	1/2-13	1.19
	1-11/16	5.00	1.94	5.00	2.00	3.75	4.25	2.22	2.13	0.75	1/2-13	1.19
	1-3/4	4.90	1.94	5.00	2.00	3.75	4.25	2.22	2.13	0.75	1/2-13	1.19
	45mm	0.20	49.3	127.0	50.8	95.3	108.0	56.4	54.0	19.1	M12x1.75	30.2
210	1-15/16	5.40	1.94	5.50	2.00	4.00	4.63	2.43	2.25	0.88	5/8-11	1.19
	2	5.20	1.94	5.50	2.00	4.00	4.63	2.43	2.25	0.88	5/8-11	1.19
	50mm	0.21	49.3	139.7	50.8	101.6	117.6	61.7	57.2	22.4	M16x2	30.2
211	2	6.70	2.22	5.50	2.00	4.00	4.63	2.71	2.25	0.88	5/8-11	1.35
	2-3/16	6.50	2.22	5.50	2.00	4.00	4.63	2.71	2.25	0.88	5/8-11	1.35
	2-1/4	6.30	2.22	5.50	2.00	4.00	4.63	2.71	2.25	0.88	5/8-11	1.35
	55mm	0.25	56.4	139.7	50.8	101.6	117.6	68.8	57.2	22.4	M16x2	34.3

Set screw mounted ball bearings

Selection/Dimensions

Set screw mounted ball bearings SC normal duty 2-bolt flange bearings



Series	Shaft size	Standard		No-lube/sealed for life (-NL)	
		Part no.	Description	Part no.	Description
203	1/2	124198	F2B-SC-008	@	F2B-SC-008-NL
	5/8	124199	F2B-SC-010	124256	F2B-SC-010-NL
	17mm	125875	F2B-SC-17M	@	F2B-SC-17M-NL
204	1/2	124166	F2B-SC-008L	052220	F2B-SC-008L-NL
	5/8	124167	F2B-SC-010L	124176	F2B-SC-010L-NL
	3/4	124170	F2B-SC-012	124175	F2B-SC-012-NL
	20mm	125876	F2B-SC-20M	050119	F2B-SC-20M-NL
205	7/8	124171	F2B-SC-014	126516	F2B-SC-014-NL
	15/16	124172	F2B-SC-015	073662	F2B-SC-015-NL
	1	124173	F2B-SC-100	124174	F2B-SC-100-NL
	25mm	125877	F2B-SC-25M	124785	F2B-SC-25M-NL
206	1-1/16	124410	F2B-SC-101	@	F2B-SC-101-NL
	1-1/8	124274	F2B-SC-102	065766	F2B-SC-102-NL
	1-3/16	124275	F2B-SC-103	124614	F2B-SC-103-NL
	1-1/4	123172	F2B-SC-104S	064656	F2B-SC-104S-NL
	30mm	125878	F2B-SC-30M	126102	F2B-SC-30M-NL
207	1-1/4	124276	F2B-SC-104	126518	F2B-SC-104-NL
	1-5/16	124411	F2B-SC-105	@	F2B-SC-105-NL
	1-3/8	124277	F2B-SC-106	126519	F2B-SC-106-NL
	1-7/16	124278	F2B-SC-107	124618	F2B-SC-107-NL
	35mm	125879	F2B-SC-35M	067663	F2B-SC-35M-NL

@Assembled to order

Set screw mounted ball bearings

Selection/Dimensions

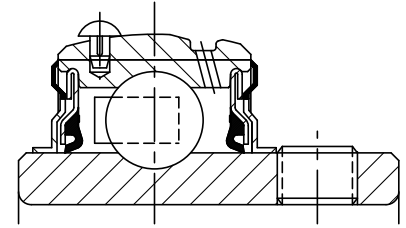
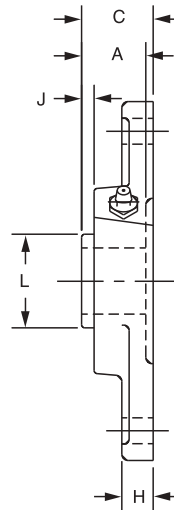
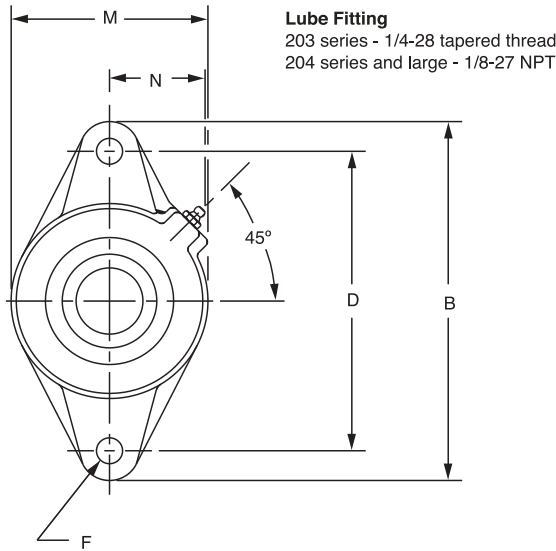
Set screw mounted ball bearings
SC normal duty 2-bolt flange bearings

Series	Shaft size	Weight lb kg	A	B	C	D	F bolt dia.	H	J	L	M	N
203	1/2	0.8	1.00	3.88	1.17	3.00	3/8	0.38	0.32	0.96	2.13	1.13
	5/8	0.7	1.00	3.88	1.17	3.00	3/8	0.38	0.32	0.96	2.13	1.13
	17mm	0.3	25.4	98.6	29.7	76.2	M10	9.7	8.1	24.4	54.1	28.7
204	1/2	1.6	1.23	4.41	1.34	3.53	3/8	0.50	0.36	1.12	2.38	1.50
	5/8	1.5	1.23	4.41	1.34	3.53	3/8	0.50	0.36	1.12	2.38	1.50
	3/4	1.4	1.23	4.41	1.34	3.53	3/8	0.50	0.36	1.12	2.38	1.50
	20mm	0.5	31.2	112.0	34.0	89.7	M10	12.7	9.1	28.4	60.5	38.1
205	7/8	1.6	1.34	4.88	1.37	3.89	7/16	0.52	0.42	1.32	2.75	1.44
	15/16	1.5	1.34	4.88	1.37	3.89	7/16	0.52	0.42	1.32	2.75	1.44
	1	1.4	1.34	4.88	1.37	3.89	7/16	0.52	0.42	1.32	2.75	1.44
	25mm	0.6	34.0	124.0	34.8	98.8	M10	13.2	10.7	33.5	69.9	36.6
206	1-1/16	2.3	1.52	5.56	1.56	4.59	7/16	0.50	0.49	1.57	3.13	1.56
	1-1/8	2.2	1.52	5.56	1.56	4.59	7/16	0.50	0.49	1.57	3.13	1.56
	1-3/16	2.1	1.52	5.56	1.56	4.59	7/16	0.50	0.49	1.57	3.13	1.56
	1-1/4	2.0	1.52	5.56	1.56	4.59	7/16	0.50	0.49	1.57	3.13	1.56
	30mm	1.0	38.6	141.2	39.6	116.7	M10	12.7	12.4	39.9	79.5	39.6
207	1-1/4	3.5	1.71	6.13	1.75	5.12	1/2	0.56	0.53	1.84	3.75	1.84
	1-5/16	3.4	1.71	6.13	1.75	5.12	1/2	0.56	0.53	1.84	3.75	1.84
	1-3/8	3.2	1.71	6.13	1.75	5.12	1/2	0.56	0.53	1.84	3.75	1.84
	1-7/16	3.1	1.71	6.13	1.75	5.12	1/2	0.56	0.53	1.84	3.75	1.84
	35mm	1.5	43.4	155.7	44.5	130.0	M12	14.2	13.5	46.7	95.3	46.7

Set screw mounted ball bearings

Selection/Dimensions

Set screw mounted ball bearings SC normal duty 2-bolt flange bearings



Series	Shaft size	Standard		No-lube/Sealed for life (-NL)	
		Part no.	Description	Part no.	Description
208	1-1/2	124268	F2B-SC-108	052011	F2B-SC-108-NL
	1-5/8	124412	F2B-SC-110	@	F2B-SC-110-NL
	40mm	125880	F2B-SC-40M	126042	F2B-SC-40M-NL
209	1-5/8	125171	F2B-SC-110L	@	F2B-SC-110L-NL
	1-11/16	124279	F2B-SC-111	067666	F2B-SC-111-NL
	1-3/4	124413	F2B-SC-112	126521	F2B-SC-112-NL
	1-13/16	124280	F2B-SC-113	067019	F2B-SC-113-NL
	45mm	125881	F3B-SC-45M	@	F2B-SC-45M-NL
210	1-15/16	124269	F2B-SC-115	126522	F2B-SC-115-NL
	2	124270	F2B-SC-200	126523	F2B-SC-200-NL
	50mm	125882	F2B-SC-50M	124282	F2B-SC-50M-NL
211	2	126293	F2B-SCM-200	065595	F2B-SCM-200-NL
	2-3/16	124034	F2B-SC-203	067959	F2B-SC-203-NL
	2-1/4	124373	F2B-SC-204	@	F2B-SC-204-NL
212	55mm	124942	F2B-SC-55M	@	F2B-SC-55M-NL
	2-1/4	@	F2B-SCM-204	093733	F2B-SCM-204-NL
	2-7/16	053175	F2B-SC-207	049437	F2B-SC-207-NL
	60mm	053883	F2B-SC-60M	@	F2B-SC-60M-NL

@Assembled to order

Set screw mounted ball bearings

Selection/Dimensions

Set screw mounted ball bearings

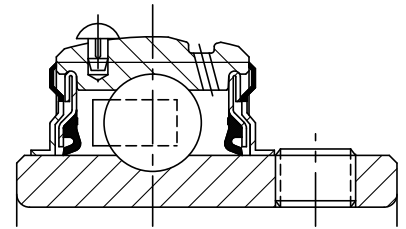
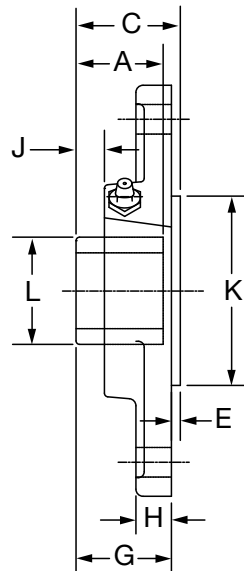
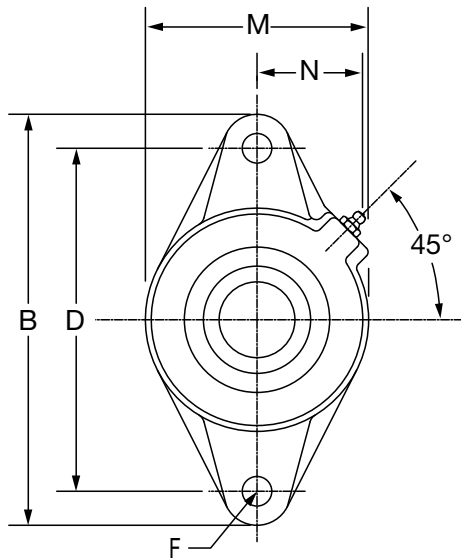
SC normal duty 2-bolt flange bearings

Series	Shaft size	Weight lb kg	A	B	C	D	F bolt dia.	H	J	L	M	N
208	1-1/2	4.1	1.94	6.75	1.97	5.66	1/2	0.56	0.63	2.05	4.13	1.83
	1-5/8	4.0	1.94	6.75	1.97	5.66	1/2	0.56	0.63	2.05	4.13	1.83
	40mm	1.8	49.3	171.5	50.0	143.8	M12	14.2	16.0	52.1	104.9	46.5
209	1-5/8	5.2	1.94	7.06	1.99	5.84	1/2	0.63	0.59	2.22	4.38	1.91
	1-11/16	5.0	1.94	7.06	1.99	5.84	1/2	0.63	0.59	2.22	4.38	1.91
	1-3/4	4.9	1.94	7.06	1.99	5.84	1/2	0.63	0.59	2.22	4.38	1.91
	1-13/16	4.7	1.94	7.06	1.99	5.84	1/2	0.63	0.59	2.22	4.38	1.91
	45mm	2.2	49.3	179.3	50.5	148.3	M14	16.0	15.0	56.4	111.3	48.5
210	1-15/16	5.4	1.94	7.44	2.02	6.19	1/2	0.63	0.55	2.43	4.56	2.03
	2	5.2	1.94	7.44	2.02	6.19	1/2	0.63	0.55	2.43	4.56	2.03
	50mm	2.5	49.3	189.0	51.3	157.2	M16	16.0	14.0	61.7	115.8	51.6
211	2	6.7	2.22	8.63	2.28	7.25	5/8	0.67	0.68	2.71	5.25	2.27
	2-3/16	6.5	2.22	8.63	2.28	7.25	5/8	0.67	0.68	2.71	5.25	2.27
	2-1/4	6.3	2.22	8.63	2.28	7.25	5/8	0.67	0.68	2.71	5.25	2.27
	55mm	3.0	56.4	219.2	57.9	184.2	M16	17.0	17.3	68.8	133.4	57.7
212	2-1/4	7.4	2.31	9.81	2.38	7.96	5/8	0.81	0.66	2.97	5.50	2.47
	2-7/16	7.0	2.31	9.81	2.38	7.96	5/8	0.81	0.66	2.97	5.50	2.47
	60mm	3.4	58.7	249.2	60.5	202.1	M22	20.6	16.8	75.4	139.7	62.7

Set screw mounted ball bearings

Selection/Dimensions

Set screw mounted ball bearings
SC normal duty 2-bolt piloted flange bearings



Series	Shaft size	Part no.	Description
204	1/2	@	F2BZ-SC-008L
	5/8	064775	F2BZ-SC-010L
	3/4	062648	F2BZ-SC-012
	20mm	130367	F2BZ-SC-20M
205	7/8	068915	F2BZ-SC-014
	15/16	@	F2BZ-SC-015
	1	056929	F2BZ-SC-100
	25mm	130368	F2BZ-SC-25M
206	1-1/8	049926	F2BZ-SC-102
	1-3/16	064480	F2BZ-SC-103
	1-1/4	064361	F2BZ-SC-104S
	30mm	130369	F2BZ-SC-30M
207	1-1/4	064089	F2BZ-SC-104
	1-3/8	068937	F2BZ-SC-106
	1-7/16	065565	F2BZ-SC-107
	35mm	130370	F2BZ-SC-35M
208	1-1/2	062686	F2BZ-SC-108
	1-5/8	@	F2BZ-SC-110
	40mm	130371	F2BZ-SC-40M
209	1-5/8	@	F2BZ-SC-110L
	1-11/16	068839	F2BZ-SC-111
	1-3/4	@	F2BZ-SC-112
	45mm	130372	F2BZ-SC-45M
210	1-15/16	056845	F2BZ-SC-115
	2	074396	F2BZ-SC-200
	50mm	130373	F2BZ-SC-50M

@ Assembled to order

Set screw mounted ball bearings

Selection/Dimensions

Set screw mounted ball bearings

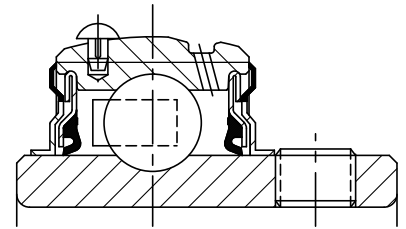
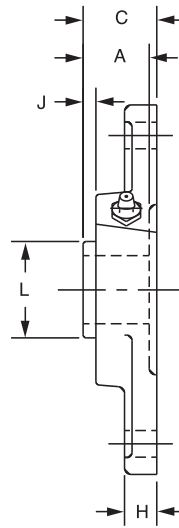
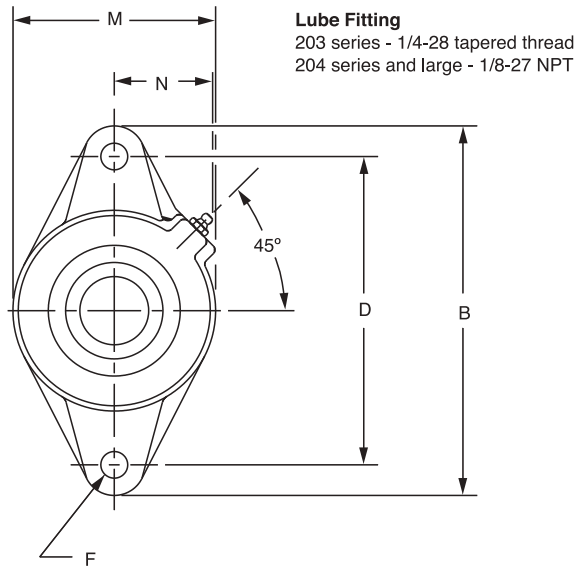
SC normal duty 2-bolt piloted flange bearings

Series	Shaft size	Weight lb kg	A	B	C	D	E	F bolt dia.	G	H	J	K	L	M	N
204	1/2	1.2	1.23	4.41	1.39	3.53	0.14	3/8	1.26	0.50	0.41	2.165/2.163	1.12	2.38	1.50
	5/8	1.2	1.23	4.41	1.39	3.53	0.14	3/8	1.26	0.50	0.41	2.165/2.163	1.12	2.38	1.50
	3/4	1.1	1.23	4.41	1.39	3.53	0.14	3/8	1.26	0.50	0.41	2.165/2.163	1.12	2.38	1.50
	20mm	0.3	31.2	112.0	35.3	89.7	3.6	M10	32.0	12.7	10.4	54.99/54.94	28.4	60.5	38.1
205	7/8	1.4	1.34	4.88	1.51	3.89	0.14	7/16	1.37	0.52	0.42	2.362/2.360	1.32	2.75	1.44
	15/16	1.4	1.34	4.88	1.51	3.89	0.14	7/16	1.37	0.52	0.42	2.362/2.360	1.32	2.75	1.44
	1	1.4	1.34	4.88	1.51	3.89	0.14	7/16	1.37	0.52	0.42	2.362/2.360	1.32	2.75	1.44
	25mm	0.6	34.0	124.0	38.4	98.8	3.6	M10	34.8	13.2	10.7	59.99/59.94	33.5	69.9	36.6
206	1-1/8	1.8	1.52	5.56	1.68	4.59	0.12	7/16	1.56	0.50	0.49	3.150/3.148	1.57	3.13	1.56
	1-3/16	1.8	1.52	5.56	1.68	4.59	0.12	7/16	1.56	0.50	0.49	3.150/3.148	1.57	3.13	1.56
	1-1/4	1.8	1.52	5.56	1.68	4.59	0.12	7/16	1.56	0.50	0.49	3.150/3.148	1.57	3.13	1.56
	30mm	0.8	38.6	141.2	42.7	116.7	3.0	M10	39.6	12.7	12.4	80.01/79.96	39.9	79.5	39.6
207	1-1/4	2.7	1.71	6.13	1.91	5.12	0.16	1/2	1.75	0.56	0.53	3.543/3.541	1.84	3.75	1.84
	1-3/8	2.6	1.71	6.13	1.91	5.12	0.16	1/2	1.75	0.56	0.53	3.543/3.541	1.84	3.75	1.84
	1-7/16	2.6	1.71	6.13	1.91	5.12	0.16	1/2	1.75	0.56	0.53	3.543/3.541	1.84	3.75	1.84
	35mm	1.2	43.4	155.7	48.5	130.0	4.1	M12	44.5	14.2	13.5	89.99/89.94	46.7	95.3	46.7
208	1-1/2	3.9	1.94	6.75	2.13	5.66	0.16	1/2	1.98	0.56	0.63	3.937/3.935	2.05	4.13	1.83
	1-5/8	3.8	1.94	6.75	2.13	5.66	0.16	1/2	1.98	0.56	0.63	3.937/3.935	2.05	4.13	1.83
	40mm	1.7	49.3	171.5	54.1	143.8	4.1	M12	50.3	14.2	16.0	100.00/99.95	52.1	104.9	46.5
209	1-5/8	4.2	1.94	7.06	2.15	5.84	0.16	1/2	1.99	0.63	0.59	4.134/4.132	2.22	4.38	1.91
	1-11/16	4.1	1.94	7.06	2.15	5.84	0.16	1/2	1.99	0.63	0.59	4.134/4.132	2.22	4.38	1.91
	1-3/4	4.1	1.94	7.06	2.15	5.84	0.16	1/2	1.99	0.63	0.59	4.134/4.132	2.22	4.38	1.91
	45mm	2.5	49.3	179.3	54.6	148.3	4.1	M14	50.5	16.0	15.0	105.00/104.95	56.4	111.3	48.5
210	1-15/16	3.6	1.94	7.44	2.18	6.19	0.16	1/2	2.02	0.63	0.55	4.134/4.132	2.43	4.56	2.03
	2	4.4	1.94	7.44	2.18	6.19	0.16	1/2	2.02	0.63	0.55	4.134/4.132	2.43	4.56	2.03
	50mm	2.6	49.3	189.0	55.4	157.2	4.1	M16	51.3	16.0	14.0	105.00/104.95	61.7	115.8	51.6

Set screw mounted ball bearings

Selection/Dimensions

Set screw mounted ball bearings SCM medium duty 2-bolt flange bearings



Series	Shaft size	Standard		Sealed for life	
		Part no.	Description	Part no.	Description
206	1	126284	F2B-SCM-100	@	F2B-SCM-100-NL
	25mm	125954	F2B-SCM-25M	@	F2B-SCM-25M-NL
207	1-3/16	126285	F2B-SCM-103	@	F2B-SCM-103-NL
	1-1/4	124276	F2B-SC-104	126518	F2B-SC-104-NL
	30mm	125955	F2B-SCM-30M	@	F2B-SCM-30M-NL
208	1-7/16	126287	F2B-SCM-107	@	F2B-SCM-107-NL
	35mm	125956	F2B-SCM-35M	@	F2B-SCM-35M-NL
209	1-1/2	126288	F2B-SCM-108	126536	F2B-SCM-108-NL
	1-5/8	125171	F2B-SC-110L	@	F2B-SC-110L-NL
210	40mm	125957	F2B-SCM-40M	067674	F2B-SCM-40M-NL
	1-11/16	126289	F2B-SCM-111	@	F2B-SCM-111-NL
	1-3/4	126290	F2B-SCM-112	@	F2B-SCM-112-NL
211	45mm	125958	F2B-SCM-45M	@	F2B-SCM-45M-NL
	1-15/16	126292	F2B-SCM-115	@	F2B-SCM-115-NL
	2	126293	F2B-SCM-200	065595	F2B-SCM-200-NL
212	50mm	125960	F2B-SCM-50M	@	F2B-SCM-50M-NL
	2-3/16	062746	F2B-SCM-203	@	F2B-SCM-203-NL
	2-1/4	073492	F2B-SCM-204	@	F2B-SCM-204-NL
	55mm	@	F2B-SCM-55M	@	F2B-SCM-55M-NL

@ Assembled to order

Set screw mounted ball bearings

Selection/Dimensions

Set screw mounted ball bearings

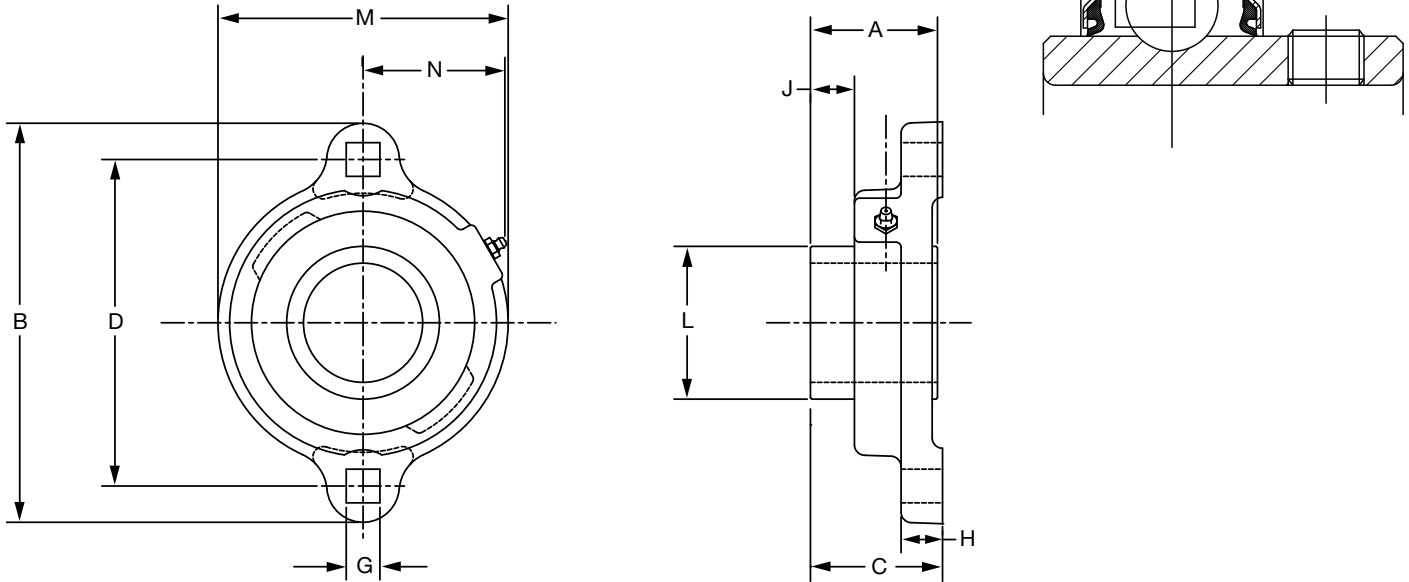
SCM medium duty 2-bolt flange bearings

Series	Shaft size	Weight lb kg	A	B	C	D	F Bolt Dia.	H	J	L	M	N
206	1	2.4	1.52	5.56	1.56	4.59	7/16	0.50	0.49	1.57	3.13	1.56
	25mm	1.0	38.6	141.2	39.6	116.7	M10	12.7	12.4	39.9	79.5	39.6
207	1-3/16	3.6	1.71	6.13	1.75	5.12	1/2	0.56	0.53	1.84	3.75	1.84
	1-1/4	3.5	1.71	6.13	1.75	5.12	1/2	0.56	0.53	1.84	3.75	1.84
	30mm	1.6	43.4	155.7	44.5	130.0	M12	14.2	13.5	46.7	95.3	46.7
208	1-7/16	4.1	1.94	6.75	1.98	5.66	1/2	0.56	0.63	2.05	4.13	1.83
	35mm	1.9	49.3	171.5	50.3	143.8	M12	14.2	16.0	52.1	104.9	46.5
209	1-1/2	5.3	1.94	7.06	1.99	5.84	1/2	0.63	0.59	2.22	4.38	1.91
	1-5/8	5.2	1.94	7.06	1.99	5.84	1/2	0.63	0.59	2.22	4.38	1.91
	40mm	2.3	49.3	179.3	50.5	148.3	M14	16.0	15.0	56.4	111.3	48.5
210	1-11/16	5.8	1.94	7.44	2.02	6.19	1/2	0.63	0.55	2.43	4.56	2.03
	1-3/4	5.6	1.94	7.44	2.02	6.19	1/2	0.63	0.55	2.43	4.56	2.03
	45mm	2.6	49.3	189.0	51.3	157.2	M16	16.0	14.0	61.7	115.8	51.6
211	1-15/16	6.7	2.22	8.63	2.28	7.25	5/8	0.67	0.68	2.71	5.25	2.27
	2	6.5	2.22	8.63	2.28	7.25	5/8	0.67	0.68	2.71	5.25	2.27
	50mm	2.9	56.4	219.2	57.9	184.2	M16	17.0	17.3	68.8	133.4	57.7
212	2-3/16	7.4	2.31	9.81	2.38	7.96	5/8	0.81	0.66	2.97	5.50	2.47
	2-1/4	7.2	2.31	9.81	2.38	7.96	5/8	0.81	0.66	2.97	5.50	2.47
	55mm	3.2	58.7	249.2	60.5	202.1	M22	20.6	16.8	75.4	139.7	62.7

Set screw mounted ball bearings

Selection/Dimensions

Set screw mounted ball bearings
SC LFT normal duty 2-bolt flange bearings



Series	Shaft size	Standard		Sealed for life (No lube)	
		Part no.	Description	Part no.	Description
203	1/2	124640	LFT-SC-008	124660	LFT-SC-008-NL
	5/8	124641	LFT-SC-010	124661	LFT-SC-010-NL
	17mm	130362	LFT-SC-17M	@	LFT-SC-17M-NL
204	3/4	124642	LFT-SC-012	124662	LFT-SC-012-NL
	20mm	130363	LFT-SC-20M	062260	LFT-SC-20M-NL
205	7/8	124643	LFT-SC-014	124663	LFT-SC-014-NL
	15/16	124644	LFT-SC-015	124664	LFT-SC-015-NL
	1	124645	LFT-SC-100	124665	LFT-SC-100-NL
	25mm	130364	LFT-SC-25M	068996	LFT-SC-25M-NL
206	1-1/16	124646	LFT-SC-101	124666	LFT-SC-101-NL
	1-1/8	124647	LFT-SC-102	124667	LFT-SC-102-NL
	1-3/16	124648	LFT-SC-103	124668	LFT-SC-103-NL
	1-1/4	124649	LFT-SC-104S	124669	LFT-SC-104S-NL
	30mm	130365	LFT-SC-30M	@	LFT-SC-30M-NL
207	1-1/4	124650	LFT-SC-104	124670	LFT-SC-104-NL
	1-5/16	124651	LFT-SC-105	124671	LFT-SC-105-NL
	1-3/8	124652	LFT-SC-106	124672	LFT-SC-106-NL
	1-7/16	124653	LFT-SC-107	124673	LFT-SC-107-NL
	35mm	130366	LFT-SC-35M	@	LFT-SC-35M-NL

* No lube fitting required in the SCLFT NoLube

@ Assembled to order.

Set screw mounted ball bearings

Selection/Dimensions

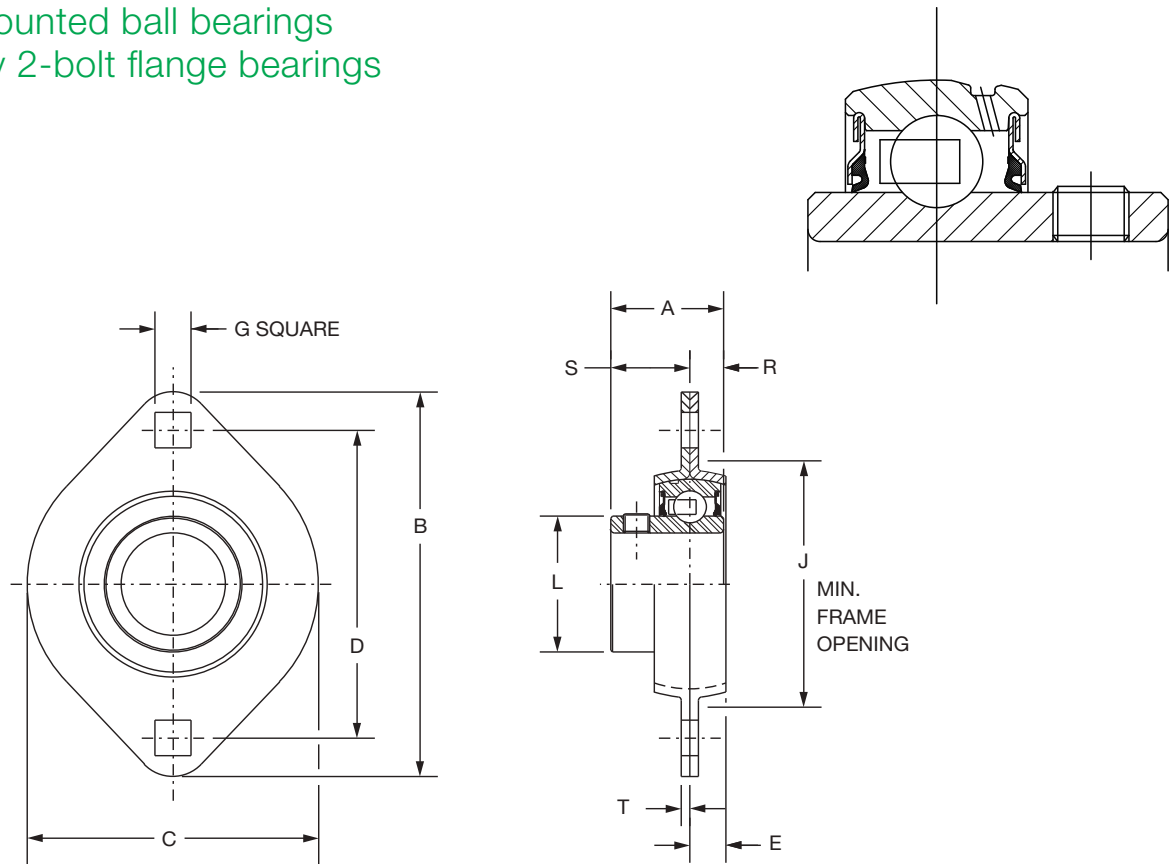
Set screw mounted ball bearings
 SC LFT normal duty 2-bolt flange bearings

Series	Shaft size	Weight lb kg	A	B	C	D	G	H	J	L	M	N
203	1/2	0.60	1.00	3.19	1.05	2.50	0.28	0.38	0.33	0.96	2.13	1.23
	5/8	0.55	1.00	3.19	1.05	2.50	0.28	0.38	0.33	0.96	2.13	1.23
	17mm	0.27	25.4	81.0	26.7	63.5	7.1	9.7	8.4	24.4	54.1	31.2
204	3/4	0.80	1.02	3.56	1.21	2.81	0.34	0.42	0.36	1.12	2.38	1.34
	20mm	0.36	25.9	90.4	30.7	71.4	8.6	10.7	9.1	28.4	60.5	34.0
205	7/8	0.95	1.06	3.75	1.24	3.00	0.34	0.42	0.37	1.32	2.63	1.44
	15/16	0.90	1.06	3.75	1.24	3.00	0.34	0.42	0.37	1.32	2.63	1.44
	1	0.85	1.06	3.75	1.24	3.00	0.34	0.42	0.37	1.32	2.63	1.44
	25mm	0.43	26.9	95.3	31.5	76.2	8.6	10.7	9.4	33.5	66.8	36.6
206	1-1/16	1.50	1.26	4.44	1.45	3.56	0.41	0.47	0.46	1.57	3.25	1.72
	1-1/8	1.45	1.26	4.44	1.45	3.56	0.41	0.47	0.46	1.57	3.25	1.72
	1-3/16	1.40	1.26	4.44	1.45	3.56	0.41	0.47	0.46	1.57	3.25	1.72
	1-1/4	1.35	1.26	4.44	1.45	3.56	0.41	0.47	0.46	1.57	3.25	1.72
	30mm	0.67	32.0	112.8	36.8	90.4	10.4	11.9	11.7	39.9	82.6	43.7
207	1-1/4	1.85	1.40	4.82	1.59	3.94	0.41	0.50	0.52	1.84	3.50	1.83
	1-5/16	1.80	1.40	4.82	1.59	3.94	0.41	0.50	0.52	1.84	3.50	1.83
	1-3/8	1.75	1.40	4.82	1.59	3.94	0.41	0.50	0.52	1.84	3.50	1.83
	1-7/16	1.70	1.40	4.82	1.59	3.94	0.41	0.50	0.52	1.84	3.50	1.83
	35mm	0.81	35.6	122.4	40.4	100.1	10.4	12.7	13.2	46.7	88.9	46.5

Set screw mounted ball bearings

Selection/Dimensions

Set screw mounted ball bearings
SL Light duty 2-bolt flange bearings



Series	Shaft size	Part no.	Description
203	1/2	128151	F2B-SL-008
	5/8	128154	F2B-SL-010
	17mm	068789	F2B-SL-17M
204	3/4	128092	F2B-SL-012
	20mm	074287	F2B-SL-20M
205	7/8	128174	F2B-SL-014
	15/16	128175	F2B-SL-015
	1	128093	F2B-SL-100
	25mm	074288	F2B-SL-25M
206	1-1/8	128176	F2B-SL-102
	1-3/16	128094	F2B-SL-103
	1-1/4	128097	F2B-SL-104S
	30mm	@	F2B-SL-30M
	207	1-1/4	128095
	1-3/8	128177	F2B-SL-106
	1-7/16	128096	F2B-SL-107
	35mm	068532	F2B-SL-35M

Set screw mounted ball bearings

Selection/Dimensions

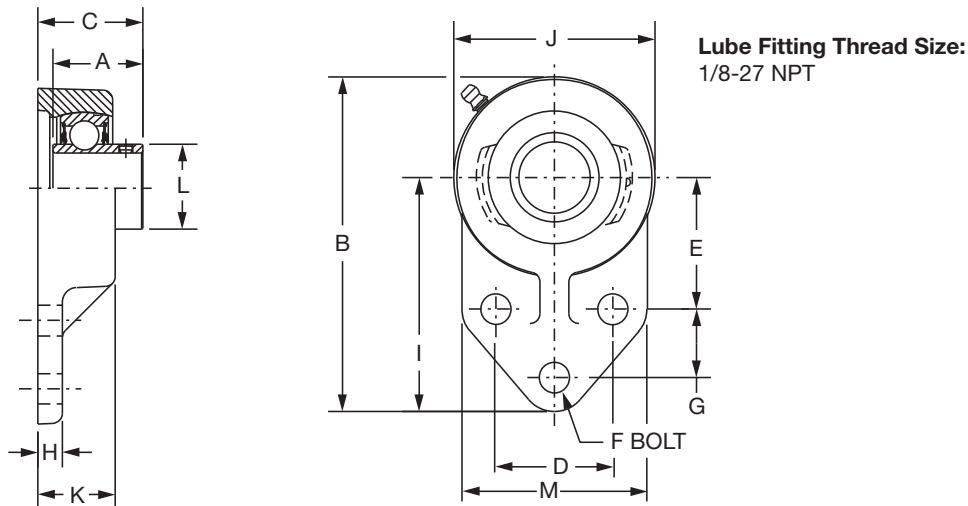
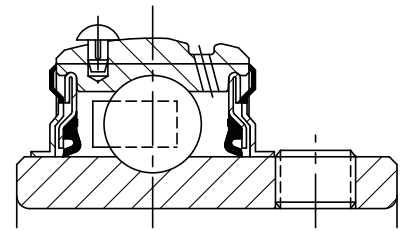
Set screw mounted ball bearings
SL Light duty 2-bolt flange bearings

Series	Shaft size	Weight lb kg	A	B	C	D	E	G	J	L	R	S	T
203	1/2	0.45	1.00	3.19	2.31	2.54	0.28	0.28	1.94	0.96	0.36	0.64	0.08
	5/8	0.42	1.00	3.19	2.31	2.54	0.28	0.28	1.94	0.96	0.36	0.64	0.08
	17mm	0.20	25.4	81.0	58.7	64.5	7.1	7.1	49.3	24.4	9.1	16.3	2.0
204	3/4	0.55	1.02	3.56	2.63	2.81	0.31	0.34	2.19	1.12	0.29	0.73	0.08
	20mm	0.25	25.9	90.4	66.8	71.4	7.9	8.6	55.6	28.4	7.4	18.5	2.0
205	7/8	0.891	1.06	3.75	2.80	3.00	0.34	0.34	2.38	1.32	0.30	0.76	0.08
	15/16	0.77	1.06	3.75	2.80	3.00	0.34	0.34	2.38	1.32	0.30	0.76	0.08
	1	0.65	1.06	3.75	2.80	3.00	0.34	0.34	2.38	1.32	0.30	0.76	0.08
	25mm	0.34	26.9	95.3	71.1	76.2	8.6	8.6	60.5	33.5	7.6	19.3	2.0
206	1-1/8	1.05	1.26	4.44	3.31	3.56	0.34	0.41	2.81	1.57	0.35	0.91	0.10
	1-3/16	1.02	1.26	4.44	3.31	3.56	0.34	0.41	2.81	1.57	0.35	0.91	0.10
	1-1/4	1.00	1.26	4.44	3.31	3.56	0.34	0.41	2.81	1.57	0.35	0.91	0.10
	30mm	0.46	32.0	112.8	84.1	90.4	8.6	10.4	71.4	39.9	8.9	23.1	2.5
207	1-1/4	1.53	1.40	4.94	3.69	3.94	0.44	0.41	3.19	1.84	0.37	1.03	0.10
	1-3/8	1.5	1.40	4.94	3.69	3.94	0.44	0.41	3.19	1.84	0.37	1.03	0.10
	1-7/16	1.37	1.40	4.94	3.69	3.94	0.44	0.41	3.19	1.84	0.37	1.03	0.10
	35mm	0.67	35.6	125.5	93.7	100.1	11.2	10.4	81.0	46.7	9.4	26.2	2.5

Set screw mounted ball bearings

Selection/Dimensions

Set screw mounted ball bearings
SC normal duty 3-bolt flanged bracket bearings



Series	Shaft size	Standard		No lube/Sealed for life (-NL)	
		Part no.	Description	Part no.	Description
204	1/2	124435	FB-SC-008	068720	FB-SC-008-NL
	5/8	124436	FB-SC-010	059816	FB-SC-010-NL
	3/4	124437	FB-SC-012	058544	FB-SC-012-NL
205	7/8	124438	FB-SC-014	056765	FB-SC-014-NL
	15/16	124439	FB-SC-015	@	FB-SC-015-NL
	1	124440	FB-SC-100	051774	FB-SC-100-NL
206	1-1/16	124441	FB-SC-101	@	FB-SC-101-NL
	1-1/8	124442	FB-SC-102	@	FB-SC-102-NL
	1-3/16	124443	FB-SC-103	049615	FB-SC-103-NL
	1-1/4	124444	FB-SC-104S	124450	FB-SC-104S-NL
207	1-1/4	124445	FB-SC-104	058545	FB-SC-104-NL
	1-5/16	124446	FB-SC-105	@	FB-SC-105-NL
	1-3/8	124447	FB-SC-106	@	FB-SC-106-NL
	1-7/16	124448	FB-SC-107	052016	FB-SC-107-NL
210	1-11/16	052906	FB-SCM-111	068840	FB-SCM-111-NL
	1-15/16	052094	FB-SC-115	073669	FB-SC-115-NL
	2	058529	FB-SC-200	073139	FB-SC-200-NL

@ Assembled to order.

Set screw mounted ball bearings

Selection/Dimensions

Set screw mounted ball bearings

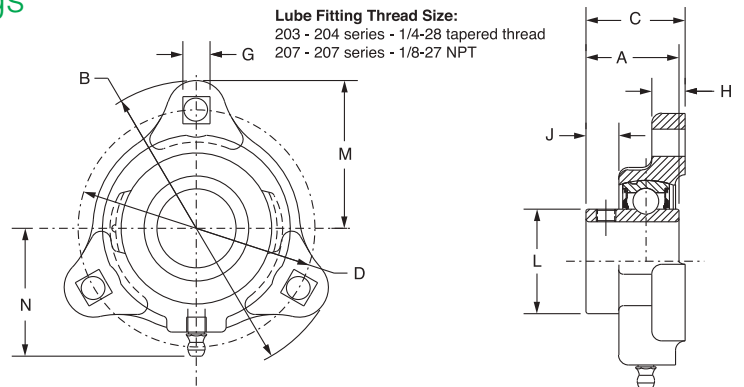
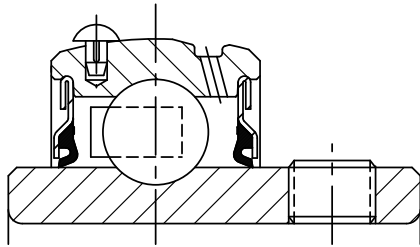
SC normal duty 3-bolt flanged bracket bearings

Series	Shaft size	Weight lb	A	B	C	D	E	F bolt dia.	G	H	I	J	K	L	M
204	1/2	1.51	1.23	4.25	1.34	1.50	1.69	3/8	0.88	0.31	3.00	2.50	0.98	1.12	2.38
	5/8	1.48	1.23	4.25	1.34	1.50	1.69	3/8	0.88	0.31	3.00	2.50	0.98	1.12	2.38
	3/4	1.45	31.2	108.0	34.0	38.1	42.9	M10	22.4	7.9	76.2	63.5	24.9	28.4	60.5
205	7/8	1.81	1.34	4.75	1.51	1.63	1.81	3/8	1.13	0.38	3.38	2.75	1.11	1.32	2.50
	15/16	1.78	1.34	4.75	1.51	1.63	1.81	3/8	1.13	0.38	3.38	2.75	1.11	1.32	2.50
	1	1.75	34.0	120.7	38.4	41.4	46.0	M10	28.7	9.7	85.9	69.9	28.2	33.5	63.5
206	1-1/16	2.12	1.52	5.38	1.65	1.88	2.06	3/8	1.25	0.38	3.75	3.25	1.13	1.57	2.75
	1-1/8	2.08	1.52	5.38	1.65	1.88	2.06	3/8	1.25	0.38	3.75	3.25	1.13	1.57	2.75
	1-3/16	2.05	1.52	5.38	1.65	1.88	2.06	3/8	1.25	0.38	3.75	3.25	1.13	1.57	2.75
	1-1/4	2.02	38.6	136.7	41.9	47.8	52.3	M10	31.8	9.7	95.3	82.6	28.7	39.9	69.9
207	1-1/4	3.46	1.71	6.13	1.88	2.00	2.37	1/2	1.25	0.50	4.25	3.75	1.31	1.84	3.25
	1-5/16	3.41	1.71	6.13	1.88	2.00	2.37	1/2	1.25	0.50	4.25	3.75	1.31	1.84	3.25
	1-3/8	3.36	1.71	6.13	1.88	2.00	2.37	1/2	1.25	0.50	4.25	3.75	1.31	1.84	3.25
	1-7/16	3.30	43.4	155.7	47.8	50.8	60.2	M12	31.8	12.7	108.0	95.3	33.3	46.7	82.6
210	1-11/16	5.70	1.94	7.50	2.06	2.75	2.94	1/2	1.63	0.50	5.19	4.63	1.50	2.43	4.00
	1-15/16	5.50	1.94	7.50	2.06	2.75	2.94	1/2	1.63	0.50	5.19	4.63	1.50	2.43	4.00
	2	5.40	49.3	190.5	52.3	69.9	74.7	M12	41.4	12.7	131.8	117.6	38.1	61.7	101.6

Set screw mounted ball bearings

Selection/Dimensions

Set screw mounted ball bearings SC LF normal duty 3-bolt flange bearings



Series	Shaft size	Standard		Sealed for life (No lube)	
		Part no.	Description	Part no.	Description
203	1/2	124600	LF-SC-008	124620	LF-SC-008-NL
	5/8	124601	LF-SC-010	124621	LF-SC-010-NL
	17mm	050895	LF-SC-17M	@	LF-SC-17M-NL
204	3/4	124602	LF-SC-012	124622	LF-SC-012-NL
	20mm	124934	LF-SC-20M	125384	LF-SC-20M-NL
205	7/8	124603	LF-SC-014	124623	LF-SC-014-NL
	15/16	124604	LF-SC-015	124624	LF-SC-015-NL
	1	124605	LF-SC-100	124625	LF-SC-100-NL
206	25mm	@	LF-SC-25M	@	LF-SC-25M-NL
	1-1/16	124606	LF-SC-101	124626	LF-SC-101-NL
	1-1/8	124607	LF-SC-102	124627	LF-SC-102-NL
	1-3/16	124608	LF-SC-103	124628	LF-SC-103-NL
	1-1/4	124609	LF-SC-104S	124629	LF-SC-104S-NL
	30mm	067892	LF-SC-30M	@	LF-SC-30M-NL
207	1-1/4	124610	LF-SC-104	124630	LF-SC-104-NL
	1-5/16	124611	LF-SC-105	124631	LF-SC-105-NL
	1-3/8	124612	LF-SC-106	124632	LF-SC-106-NL
	1-7/16	124613	LF-SC-107	124633	LF-SC-107-NL
	35mm	065699	LF-SC-35M	@	LF-SC-35M-NL

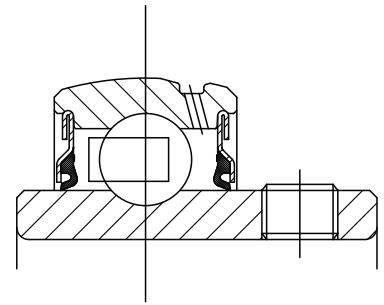
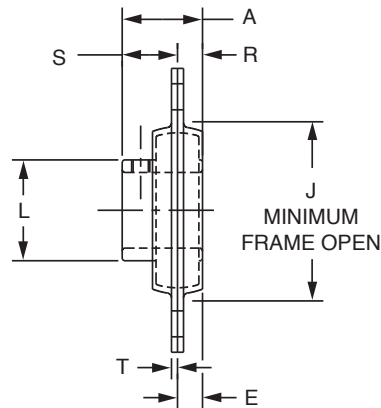
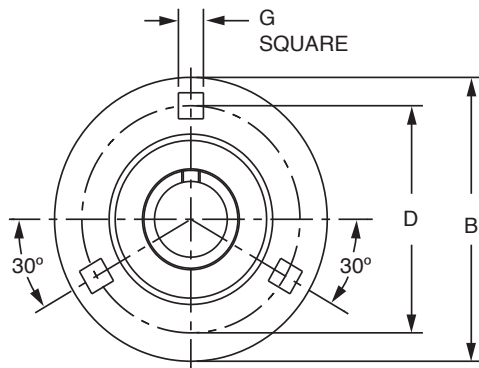
@ Assembled to order.

Series	Shaft size	Weight lb kg	A	B	C	D	G	H	J	L	M	N
203	1/2	0.65	1.00	3.19	1.05	2.50	0.28	0.38	0.33	0.96	1.59	1.84
	5/8	0.60	1.00	3.19	1.05	2.50	0.28	0.38	0.33	0.96	1.59	1.84
	17mm	0.29	25.4	81.0	26.7	63.5	7.1	9.7	8.4	24.4	40.4	46.7
204	3/4	0.85	1.02	3.56	1.21	2.81	0.34	0.42	0.36	1.12	1.78	1.56
	20mm	0.38	25.9	90.4	30.7	71.4	8.6	10.7	9.1	28.4	45.2	39.6
205	7/8	1.10	1.06	3.75	1.24	3.00	0.34	0.42	0.37	1.32	1.88	1.70
	15/16	1.05	1.06	3.75	1.24	3.00	0.34	0.42	0.37	1.32	1.88	1.70
	1	1.00	1.06	3.75	1.24	3.00	0.34	0.42	0.37	1.32	1.88	1.70
206	25mm	0.47	26.9	95.3	31.5	76.2	8.6	10.7	9.4	33.5	47.8	43.2
	1-1/16	1.65	1.26	4.44	1.45	3.56	0.41	0.47	0.46	1.57	2.22	2.02
	1-1/8	1.60	1.26	4.44	1.45	3.56	0.41	0.47	0.46	1.57	2.22	2.02
	1-3/16	1.55	1.26	4.44	1.45	3.56	0.41	0.47	0.46	1.57	2.22	2.02
	1-1/4	1.50	1.26	4.44	1.45	3.56	0.41	0.47	0.46	1.57	2.22	2.02
207	30mm	0.70	32.0	112.8	36.8	90.4	10.4	11.9	11.7	39.9	56.4	51.3
	1-1/4	2.10	1.40	4.81	1.59	3.94	0.41	0.50	0.52	1.84	2.41	2.14
	1-5/16	2.05	1.40	4.81	1.59	3.94	0.41	0.50	0.52	1.84	2.41	2.14
	1-3/8	2.00	1.40	4.81	1.59	3.94	0.41	0.50	0.52	1.84	2.41	2.14
	1-7/16	1.95	1.40	4.81	1.59	3.94	0.41	0.50	0.52	1.84	2.41	2.14
207	35mm	0.90	35.6	122.2	40.4	100.1	10.4	12.7	13.2	46.7	61.2	54.4

Set screw mounted ball bearings

Selection/Dimensions

Set screw mounted ball bearings
SL light duty 3-bolt flange bearings



Series	Shaft size	Part no.	Description
204	3/4	128083	F3B-SL-012
	20mm	@	F3B-SL-20M
205	7/8	128178	F3B-SL-014
	15/16	128179	F3B-SL-015
	1	128084	F3B-SL-100
	25mm	@	F3B-SL-25M
206	1-1/8	128180	F3B-SL-102
	1-3/16	128085	F3B-SL-103
	1-1/4	128082	F3B-SL-104S
	30mm	@	F3B-SL-30M
207	1-1/4	128086	F3B-SL-104
	1-3/8	128181	F3B-SL-106
	1-7/16	128087	F3B-SL-107
	35mm	@	F3B-SL-35M

@ Assembled to order.

Series	Shaft size	Weight lb kg	A	B	D	E	G	J	L	R	S	T
204	3/4	0.74	1.02	3.56	2.81	0.31	0.34	2.19	1.12	0.29	0.73	0.08
	20mm	0.33	25.9	90.4	71.4	7.9	8.6	55.6	28.4	7.4	18.5	2.0
205	7/8	1.01	1.06	3.75	3.00	0.34	0.34	2.38	1.32	0.30	0.76	0.08
	15/16	0.97	1.06	3.75	3.00	0.34	0.34	2.38	1.32	0.30	0.76	0.08
	1	0.85	1.06	3.75	3.00	0.34	0.34	2.38	1.32	0.30	0.76	0.08
	25mm	0.43	26.9	95.3	76.2	8.6	8.6	60.5	33.5	7.6	19.3	2.0
206	1-1/8	1.39	1.26	4.44	3.56	0.34	0.41	2.81	1.57	0.35	0.91	0.10
	1-3/16	1.36	1.26	4.44	3.56	0.34	0.41	2.81	1.57	0.35	0.91	0.10
	1-1/4	1.34	1.26	4.44	3.56	0.34	0.41	2.81	1.57	0.35	0.91	0.10
	30mm	0.61	32.0	112.8	90.4	8.6	10.4	71.4	39.9	8.9	23.1	2.5
207	1-1/4	1.89	1.40	4.81	3.94	0.38	0.41	3.19	1.84	0.37	1.03	0.10
	1-3/8	1.86	1.40	4.81	3.94	0.38	0.41	3.19	1.84	0.37	1.03	0.10
	1-7/16	1.73	1.40	4.81	3.94	0.38	0.41	3.19	1.84	0.37	1.03	0.10
	35mm	0.83	35.6	122.2	100.1	9.7	10.4	81.0	46.7	9.4	26.2	2.5

Set screw mounted ball bearings

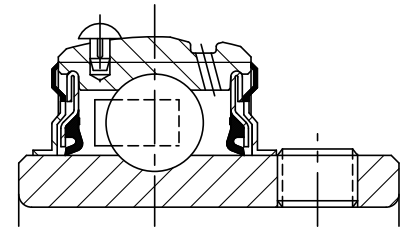
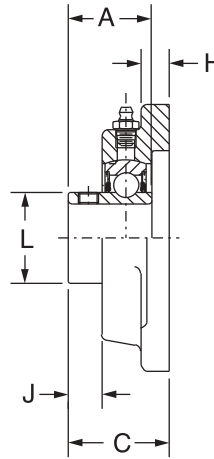
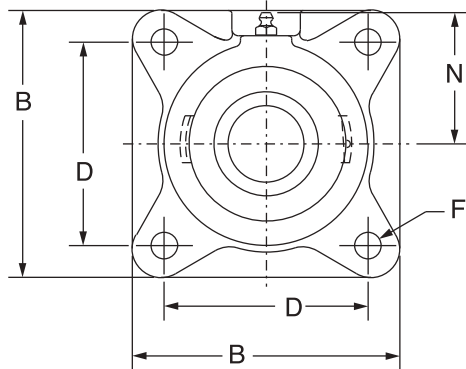
Selection/Dimensions

Set screw mounted ball bearings SC normal duty 4-bolt flange bearings

Lube Fitting Thread Size:

203 - 204 series - 1/4-28 tapered thread

207 - 207 series - 1/8-27 NPT



Series	Shaft size	Standard		No-lube/Sealed for life (-NL)	
		Part no.	Description	Part no.	Description
203	1/2	124048	F4B-SC-008	@	F4B-SC-008-NL
	5/8	124049	F4B-SC-010	067642	F4B-SC-010-NL
	17mm	125885	F4B-SC-17M	@	F4B-SC-17M-NL
204	1/2	124098	F4B-SC-008L	@	F4B-SC-008L-NL
	5/8	124099	F4B-SC-010L	@	F4B-SC-010L-NL
	3/4	124100	F4B-SC-012	052010	F4B-SC-012-NL
	13/16	124567	F4B-SC-013	@	F4B-SC-013-NL
	20mm	125886	F4B-SC-20M	074714	F4B-SC-20M-NL
205	7/8	124101	F4B-SC-014	075765	F4B-SC-014-NL
	15/16	124102	F4B-SC-015	126524	F4B-SC-015-NL
	1	124103	F4B-SC-100	126525	F4B-SC-100-NL
	25mm	125887	F4B-SC-25M	064943	F4B-SC-25M-NL
206	1-1/16	124218	F4B-SC-101	@	F4B-SC-101-NL
	1-1/8	124204	F4B-SC-102	126526	F4B-SC-102-NL
	1-3/16	124205	F4B-SC-103	050834	F4B-SC-103-NL
	1-1/4	123173	F4B-SC-104S	051987	F4B-SC-104S-NL
	30mm	125888	F4B-SC-30M	067874	F4B-SC-30M-NL
207	1-1/4	124206	F4B-SC-104	126528	F4B-SC-104-NL
	1-5/16	124219	F4B-SC-105	@	F4B-SC-105-NL
	1-3/8	124207	F4B-SC-106	052009	F4B-SC-106-NL
	1-7/16	124208	F4B-SC-107	050835	F4B-SC-107-NL
	35mm	125889	F4B-SC-35M	@	F4B-SC-35M-NL

@ Assembled to order

Set screw mounted ball bearings

Selection/Dimensions

Set screw mounted ball bearings
SC normal duty 4-bolt flange bearings

Series	Shaft size	Weight lb kg	A	B	C	D	F	H	J	L	N
203	1/2	1.1	1.00	3.00	1.17	2.13	3/8	0.44	0.32	0.96	1.69
	5/8	1.0	1.00	3.00	1.17	2.13	3/8	0.44	0.32	0.96	1.69
	17mm	0.5	25.4	76.2	29.7	54.0	M10	11.2	8.1	24.4	42.9
204	1/2	1.8	1.23	3.38	1.34	2.5	3/8	0.44	0.36	1.12	1.94
	5/8	1.7	1.23	3.38	1.34	2.5	3/8	0.44	0.36	1.12	1.94
	3/4	1.6	1.23	3.38	1.34	2.5	3/8	0.44	0.36	1.12	1.94
	13/16	1.5	1.23	3.38	1.34	2.5	3/8	0.44	0.36	1.12	1.94
	20mm	0.8	31.2	85.9	34.0	63.5	M10	11.2	9.1	28.4	49.3
205	7/8	2.0	1.34	3.75	1.37	2.75	7/16	0.50	0.42	1.32	2.06
	15/16	1.9	1.34	3.75	1.37	2.75	7/16	0.50	0.42	1.32	2.06
	1	1.8	1.34	3.75	1.37	2.75	7/16	0.50	0.42	1.32	2.06
	25mm	0.9	34.0	95.3	34.8	69.9	M10	12.7	10.7	33.5	52.3
206	1-1/16	2.9	1.52	4.25	1.56	3.25	7/16	0.50	0.49	1.57	2.19
	1-1/8	2.8	1.52	4.25	1.56	3.25	7/16	0.50	0.49	1.57	2.19
	1-3/16	2.7	1.52	4.25	1.56	3.25	7/16	0.50	0.49	1.57	2.19
	1-1/4	2.6	1.52	4.25	1.56	3.25	7/16	0.50	0.49	1.57	2.19
	30mm	1.3	38.6	108.0	39.6	82.6	M10	12.7	12.4	39.9	55.6
207	1-1/4	4.0	1.71	4.75	1.75	3.63	1/2	0.56	0.53	1.84	2.44
	1-5/16	3.9	1.71	4.75	1.75	3.63	1/2	0.56	0.53	1.84	2.44
	1-3/8	3.8	1.71	4.75	1.75	3.63	1/2	0.56	0.53	1.84	2.44
	1-7/16	3.7	1.71	4.75	1.75	3.63	1/2	0.56	0.53	1.84	2.44
	35mm	1.7	43.4	120.7	44.5	92.1	M12	14.2	13.5	46.7	62.0

Set screw mounted ball bearings

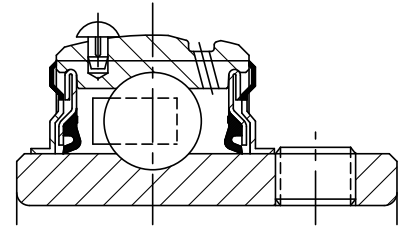
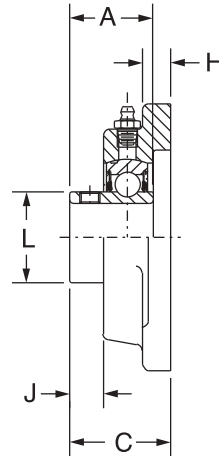
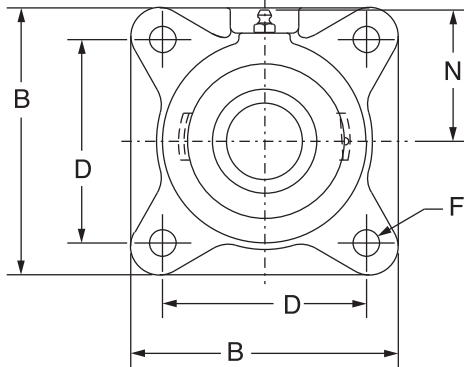
Selection/Dimensions

Set screw mounted ball bearings
SC normal duty 4-bolt flange bearings

Lube Fitting Thread Size:

203 - 204 series - 1/4-28 tapered thread

207 - 207 series - 1/8-27 NPT



Series	Shaft size	Standard		No-lube/Sealed for life (-NL)	
		Part no.	Description	Part no.	Description
208	1-1/2	124209	F4B-SC-108	051991	F4B-SC-108-NL
	1-5/8	124210	F4B-SC-110	052008	F4B-SC-110-NL
	40mm	125890	F4B-SC-40M	073769	F4B-SC-40M-NL
209	1-5/8	125170	F4B-SC-110L	@	F4B-SC-110L-NL
	1-11/16	124211	F4B-SC-111	064214	F4B-SC-111-NL
	1-3/4	124212	F4B-SC-112	126531	F4B-SC-112-NL
210	45mm	125891	F4B-SC-45M	@	F4B-SC-45M-NL
	1-15/16	124213	F4B-SC-115	051992	F4B-SC-115-NL
	2	124214	F4B-SC-200	050867	F4B-SC-200-NL
211	50mm	125892	F4B-SC-50M	068571	F4B-SC-50M-NL
	2	126192	F4B-SCM-200	052004	F4B-SCM-200-NL
	2-3/16	124215	F4B-SC-203	052007	F4B-SC-203-NL
212	2-1/4	124216	F4B-SC-204	052006	F4B-SC-204-NL
	55mm	125893	F4B-SC-55M	068572	F4B-SC-55M-NL
	2-1/4	126283	F4B-SCM-204	126537	F4B-SCM-204-NL
214	2-7/16	124217	F4B-SC-207	050843	F4B-SC-207-NL
	60mm	125894	F4B-SC-60M	064203	F4B-SC-60M-NL
	2-1/2	126195	F4B-SCM-208	@	F4B-SCM-208-NL
215	2-11/16	124261	F4B-SC-211	@	F4B-SC-211-NL
	70mm	125895	F4B-SC-70M	@	F4B-SC-70M-NL
	2-15/16	124220	F4B-SC-215	052291	F4B-SC-215-NL
	75mm	125896	F4B-SC-75M	068573	F4B-SC-75M-NL

@ Assembled to order

Set screw mounted ball bearings

Selection/Dimensions

Set screw mounted ball bearings
SC normal duty 4-bolt flange bearings

Series	Shaft size	Weight lb kg	A	B	C	D	F bolt dia.	H	J	L	N
208	1-1/2	4.8	1.94	5.13	1.98	4.00	1/2	0.56	0.63	2.05	2.38
	1-5/8	4.7	1.94	5.13	1.98	4.00	1/2	0.56	0.63	2.05	2.38
	40mm	2.1	49.3	130.3	50.3	101.6	M12	14.2	16.0	52.1	60.5
209	1-5/8	6.1	1.94	5.38	1.99	4.13	1/2	0.63	0.59	2.22	2.75
	1-11/16	6.0	1.94	5.38	1.99	4.13	1/2	0.63	0.59	2.22	2.75
	1-3/4	5.9	1.94	5.38	1.99	4.13	1/2	0.63	0.59	2.22	2.75
	45mm	2.7	49.3	136.7	50.5	104.8	M14	16.0	15.0	56.4	69.9
210	1-15/16	6.7	1.94	5.63	2.02	4.38	1/2	0.63	0.55	2.43	2.88
	2	6.6	1.94	5.63	2.02	4.38	1/2	0.63	0.55	2.43	2.88
	50mm	3.0	49.3	143.0	51.3	111.1	M16	16.0	14.0	61.7	73.2
211	2	9.3	2.22	6.50	2.28	5.13	5/8	0.69	0.68	2.71	3.25
	2-3/16	9.0	2.22	6.50	2.28	5.13	5/8	0.69	0.68	2.71	3.25
	2-1/4	8.9	2.22	6.50	2.28	5.13	5/8	0.69	0.68	2.71	3.25
	55mm	4.1	56.4	165.1	57.9	130.2	M16	17.5	17.3	68.8	82.6
212	2-1/4	11.1	2.31	6.88	2.38	5.63	5/8	0.69	0.66	2.97	3.50
	2-7/16	10.6	2.31	6.88	2.38	5.63	5/8	0.69	0.66	2.97	3.50
	60mm	6.0	58.7	174.8	60.5	142.9	M16	17.5	16.8	75.4	88.9
214	2-1/2	16.0	2.54	7.38	2.78	5.88	5/8	0.69	0.60	3.31	3.69
	2-11/16	15.4	2.54	7.38	2.78	5.88	5/8	0.69	0.60	3.31	3.69
	70mm	6.9	64.5	187.5	70.6	149.2	M16	17.5	15.2	84.1	93.7
215	2-15/16	17.6	2.33	7.75	2.88	6.00	3/4	1.00	0.63	3.62	3.88
	75mm	8.0	59.2	196.9	73.2	152.4	M18	25.4	16.0	91.9	98.6

Set screw mounted ball bearings

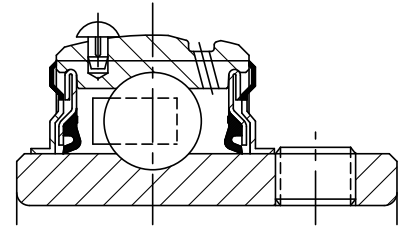
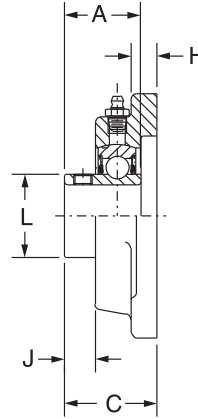
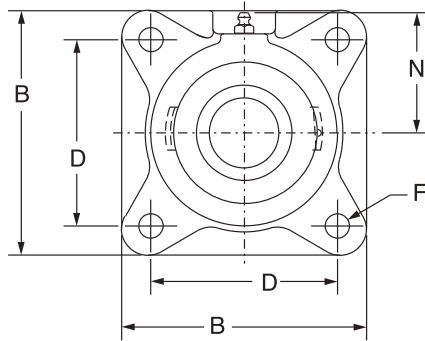
Selection/Dimensions

Set screw mounted ball bearings SCM medium duty 4-bolt flange bearings

Lube Fitting Thread Size:

203 - 204 series - 1/4-28 tapered thread

207 - 207 series - 1/8-27 NPT



Series	Shaft size	Standard		No-lube/Sealed for life (-NL)	
		Part no.	Description	Part no.	Description
206	1	126226	F4B-SCM-100	052017	F4B-SCM-100-NL
	25mm	125965	F4B-SCM-25M	@	F4B-SCM-25M-NL
207	1-3/16	126227	F4B-SCM-103	056907	F4B-SCM-103-NL
	1-1/4	124206	F4B-SC-104	126528	F4B-SC-104-NL
	30mm	125966	F4B-SCM-30M	@	F4B-SCM-30M-NL
208	1-7/16	126187	F4B-SCM-107	062842	F4B-SCM-107-NL
	35mm	125967	F4B-SCM-35M	@	F4B-SCM-35M-NL
209	1-1/2	126188	F4B-SCM-108	062897	F4B-SCM-108-NL
	1-5/8	125170	F4B-SC-110L	@	F4B-SC-110L-NL
	40mm	125968	F4B-SCM-40M	@	F4B-SCM-40M-NL
210	1-11/16	126189	F4B-SCM-111	065576	F4B-SCM-111-NL
	1-3/4	126190	F4B-SCM-112	@	F4B-SCM-112-NL
	45mm	125969	F4B-SCM-45M	@	F4B-SCM-45M-NL
211	1-15/16	126191	F4B-SCM-115	052302	F4B-SCM-115-NL
	2	126192	F4B-SCM-200	052004	F4B-SCM-200-NL
	50mm	125970	F4B-SCM-50M	073950	F4B-SCM-50M-NL
212	2-3/16	126193	F4B-SCM-203	052003	F4B-SCM-203-NL
	2-1/4	126283	F4B-SCM-204	126537	F4B-SCM-204-NL
	55mm	125971	F4B-SCM-55M	@	F4B-SCM-55M-NL
214	2-7/16	126194	F4B-SCM-207	052002	F4B-SCM-207-NL
	2-1/2	126195	F4B-SCM-208	065653	F4B-SCM-208-NL
	65mm	125972	F4B-SCM-65M	@	F4B-SCM-65M-NL
215	2-11/16	126186	F4B-SCM-211	052205	F4B-SCM-211-NL
	70mm	125973	F4B-SCM-70M	@	F4B-SCM-70M-NL
216	2-15/16	126196	F4B-SCM-215	126538	F4B-SCM-215-NL
	3	126197	F4B-SCM-300	126539	F4B-SCM-300-NL
	75mm	125974	F4B-SCM-75M	@	F4B-SCM-75M-NL
218	3-7/16	126198	F4B-SCM-307	126540	F4B-SCM-307-NL
	3-1/2	126199	F4B-SCM-308	126541	F4B-SCM-308-NL
	85mm	125975	F4B-SCM-85M	@	F4B-SCM-85M-NL

@ Assembled to order

Set screw mounted ball bearings

Selection/Dimensions

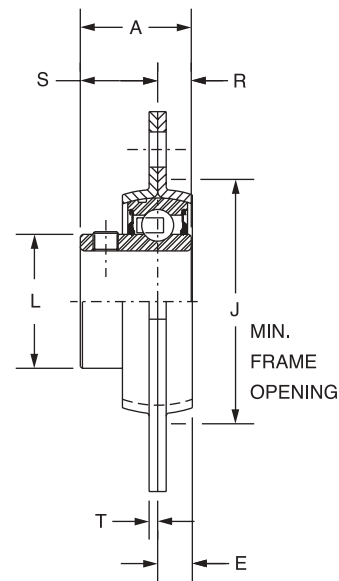
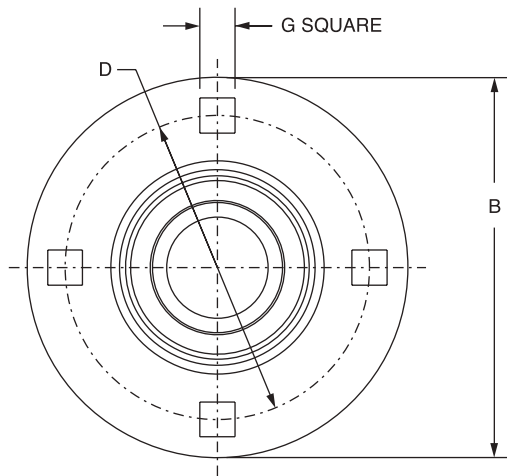
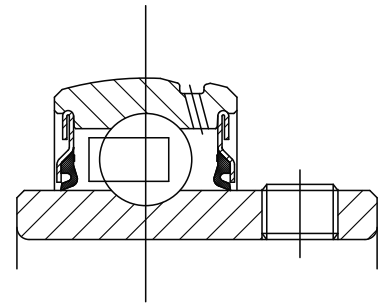
Set screw mounted ball bearings
SCM medium duty 4-bolt flange bearings

Series	Shaft size	Weight lb kg	A	B	C	D	F	H	J	L	N
206	1	3.0	1.52	4.25	1.56	3.25	7/16	0.50	0.49	1.57	2.19
	25mm	1.3	38.6	108.0	39.6	82.6	M10	12.7	12.4	39.9	55.6
207	1-3/16	4.1	1.71	4.75	1.75	3.63	1/2	0.56	0.53	1.84	2.44
	1-1/4	4.0	1.71	4.75	1.75	3.63	1/2	0.56	0.53	1.84	2.44
208	30mm	1.4	43.4	120.7	44.5	92.1	M12	14.2	13.5	46.7	62.0
	1-7/16	5.0	1.94	5.13	1.98	4.00	1/2	0.56	0.63	2.05	2.38
209	35mm	2.1	49.3	130.3	50.3	101.6	M12	14.2	16.0	52.1	60.5
	1-1/2	6.1	1.94	5.38	1.99	4.13	1/2	0.63	0.59	2.22	2.75
210	1-5/8	6.1	1.94	5.38	1.99	4.13	1/2	0.63	0.59	2.22	2.75
	40mm	2.7	49.3	136.7	50.5	104.8	M14	16.0	15.0	56.4	69.9
211	1-11/16	7.1	1.94	5.63	2.02	4.38	1/2	0.63	0.55	2.43	2.88
	1-3/4	6.9	1.94	5.63	2.02	4.38	1/2	0.63	0.55	2.43	2.88
212	45mm	3.0	49.3	143.0	51.3	111.1	M16	16.0	14.0	61.7	73.2
	1-15/16	9.5	2.22	6.50	2.28	5.13	5/8	0.69	0.68	2.71	3.25
214	2	9.3	2.22	6.50	2.28	5.13	5/8	0.69	0.68	2.71	3.25
	50mm	4.1	56.4	165.1	57.9	130.2	M16	17.5	17.3	68.8	82.6
215	2-3/16	11.3	2.31	6.88	2.38	5.63	5/8	0.69	0.66	2.97	3.50
	2-1/4	11.1	2.31	6.88	2.38	5.63	5/8	0.69	0.66	2.97	3.50
216	55mm	6.0	58.7	174.8	60.5	142.9	M16	17.5	16.8	75.4	88.9
	2-7/16	16.2	2.54	7.38	2.78	5.88	5/8	0.69	0.60	3.31	3.69
218	2-1/2	16.0	2.54	7.38	2.78	5.88	5/8	0.69	0.60	3.31	3.69
	65mm	7.3	64.5	187.5	70.6	149.2	M16	17.5	15.2	84.1	93.7
219	2-11/16	18.3	2.33	7.75	2.88	6.00	3/4	1.00	0.63	3.62	3.88
	70mm	8.0	59.2	196.9	73.2	152.4	M18	25.4	16.0	91.9	98.6
220	2-15/16	21.5	2.38	7.75	3.09	6.00	3/4	0.88	0.59	3.83	4.09
	3	21.2	2.38	7.75	3.09	6.00	3/4	0.88	0.59	3.83	4.09
221	75mm	9.4	60.5	196.9	78.5	152.4	M18	22.4	15.0	97.3	103.9
	3-7/16	28.0	2.56	8.44	3.38	6.75	3/4	1.00	0.60	4.35	4.63
222	3-1/2	27.4	2.56	8.44	3.38	6.75	3/4	1.00	0.60	4.35	4.63
	85mm	12.2	65.0	214.4	85.9	171.5	M18	25.4	15.2	110.5	117.6

Set screw mounted ball bearings

Selection/Dimensions

Set screw mounted ball bearings
SL light duty 4-bolt flange bearings



Series	Shaft size	Part no.	Description
208	1-1/2	128088	F4B-SL-108
	40mm	067868	F4B-SL-40M
210	1-15/16	128089	F4B-SL-115
	2	128090	F4B-SL-200
	50mm	@	F4B-SL-50M
211	2	128182	F4B-SL-200L
	2-3/16	128091	F4B-SL-203
	55mm	@	F4B-SL-55M

@ Assembled to order

Set screw mounted ball bearings

Selection/Dimensions

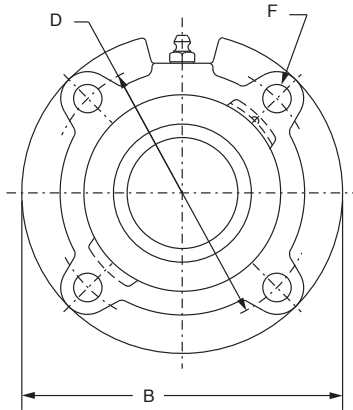
Set screw mounted ball bearings
SL light duty 4-bolt flange bearings

Series	Shaft size	Weight lb kg	A	B	D	E	G	J	L	R	S	T
208	1-1/2	2.64	1.94	5.81	4.69	0.41	0.53	3.56	2.05	0.75	1.19	0.13
	40mm	1.15	49.3	147.6	119.1	10.4	13.5	90.4	52.1	19.1	30.2	3.3
210	1-15/16	2.95	1.94	6.13	5.00	0.44	0.53	4.00	2.43	0.75	1.19	0.15
	2	2.86	1.94	6.13	5.00	0.44	0.53	4.00	2.43	0.75	1.19	0.15
	50mm	1.28	49.3	155.7	127.0	11.2	13.5	101.6	61.7	19.1	30.2	3.8
211	2	3.73	2.22	6.56	5.44	0.47	0.53	4.44	2.71	0.87	1.35	0.15
	2-3/16	3.63	2.22	6.56	5.44	0.47	0.53	4.44	2.71	0.87	1.35	0.15
	55mm	1.62	56.4	166.6	138.2	11.9	13.5	112.8	68.8	22.1	34.3	3.8

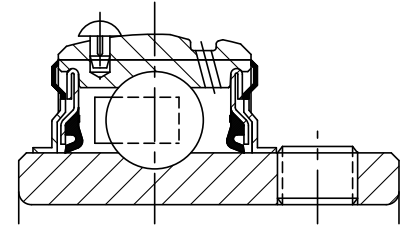
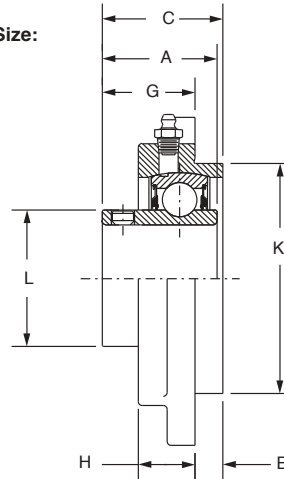
Set screw mounted ball bearings

Selection/Dimensions

Set screw mounted ball bearings
SC normal duty piloted flange bearings



Lube Fitting Thread Size:
1/8-27 NPT



Series	Shaft size	Part no.	Description
206	1-1/16	124578	FC-SC-101
	1-1/8	124582	FC-SC-102
	1-3/16	124579	FC-SC-103
	1-1/4	124587	FC-SC-104S
	30mm	125865	FC-SC-30M
207	1-1/4	124224	FC-SC-104
	1-5/16	124237	FC-SC-105
	1-3/8	124235	FC-SC-106
	1-7/16	124236	FC-SC-107
	35mm	125866	FC-SC-35M
208	1-1/2	124225	FC-SC-108
	1-5/8	124226	FC-SC-110
	40mm	125867	FC-SC-40M
209	1-5/8	065644	FC-SC-110L
	1-11/16	124227	FC-SC-111
	1-3/4	124228	FC-SC-112
210	45mm	125868	FC-SC-45M
	1-15/16	124229	FC-SC-115
	2	124230	FC-SC-200
211	50mm	125869	FC-SC-50M
	2	126175	FC-SCM-200
	2-3/16	124231	FC-SC-203
	2-1/4	124232	FC-SC-204
212	55mm	125870	FC-SC-55M
	2-1/4	126177	FC-SCM-204
	2-7/16	124233	FC-SC-207
214	60mm	125871	FC-SC-60M
	2-1/2	126179	FC-SCM-208
	2-11/16	124729	FC-SC-211
	70mm	125872	FC-SC-70M

@ Assembled to order

Set screw mounted ball bearings

Selection/Dimensions

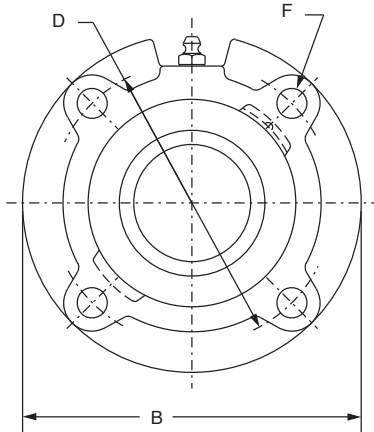
Set screw mounted ball bearings
SC normal duty piloted flange bearings

Series	Shaft size	Weight lb kg	A	B	C	D	E	F bolt dia.	G	H	K	L
206	1-1/16	3.2	1.52	4.38	1.53	3.63	0.25	3/8	1.28	0.81	3.000/2.998	1.57
	1-1/8	3.1	1.52	4.38	1.53	3.63	0.25	3/8	1.28	0.81	3.000/2.998	1.57
	1-3/16	3.0	1.52	4.38	1.53	3.63	0.25	3/8	1.28	0.81	3.000/2.998	1.57
	1-1/4	2.9	1.52	4.38	1.53	3.63	0.25	3/8	1.28	0.81	3.000/2.998	1.57
	30mm	1.3	38.6	111.3	38.9	92.2	6.4	M10	32.5	20.6	76.20/76.15	39.9
207	1-1/4	4.2	1.71	5.00	1.78	4.13	0.38	3/8	1.40	0.84	3.375/3.373	1.84
	1-5/16	4.1	1.71	5.00	1.78	4.13	0.38	3/8	1.40	0.84	3.375/3.373	1.84
	1-3/8	4.0	1.71	5.00	1.78	4.13	0.38	3/8	1.40	0.84	3.375/3.373	1.84
	1-7/16	3.9	1.71	5.00	1.78	4.13	0.38	3/8	1.40	0.84	3.375/3.373	1.84
	35mm	1.8	43.4	127.0	45.2	104.9	9.7	M10	35.6	21.3	85.73/85.67	46.7
208	1-1/2	4.6	1.94	5.25	1.98	4.38	0.44	7/16	1.54	0.89	3.625/3.623	2.05
	1-5/8	4.5	1.94	5.25	1.98	4.38	0.44	7/16	1.54	0.89	3.625/3.623	2.05
	40mm	2.0	49.3	133.4	50.3	111.3	11.2	M12	39.1	22.6	92.08/92.02	52.1
209	1-5/8	5.6	1.94	5.75	1.95	4.75	0.44	1/2	1.51	0.91	4.000/3.998	2.22
	1-11/16	5.5	1.94	5.75	1.95	4.75	0.44	1/2	1.51	0.91	4.000/3.998	2.22
	1-3/4	5.4	1.94	5.75	1.95	4.75	0.44	1/2	1.51	0.91	4.000/3.998	2.22
	45mm	2.4	49.3	146.1	49.5	120.7	11.2	M12	38.4	23.1	101.60/101.55	56.4
210	1-15/16	6.4	1.94	6.13	1.98	5.13	0.47	1/2	1.51	0.92	4.250/4.248	2.43
	2	6.3	1.94	6.13	1.98	5.13	0.47	1/2	1.51	0.92	4.250/4.248	2.43
	50mm	2.9	49.3	155.7	50.3	130.3	11.9	M12	38.4	23.4	107.95/107.90	61.7
211	2	7.3	2.22	6.38	2.35	5.38	0.63	1/2	1.72	1.00	4.500/4.498	2.71
	2-3/16	7.2	2.22	6.38	2.35	5.38	0.63	1/2	1.72	1.00	4.500/4.498	2.71
	2-1/4	7.1	2.22	6.38	2.35	5.38	0.63	1/2	1.72	1.00	4.500/4.498	2.71
	55mm	3.3	56.4	162.1	59.7	136.7	16.0	M12	43.7	25.4	114.30/114.25	68.8
212	2-1/4	9.6	2.31	7.13	2.54	6.00	0.88	1/2	1.67	1.00	5.000/4.998	2.97
	2-7/16	9.5	2.31	7.13	2.54	6.00	0.88	1/2	1.67	1.00	5.000/4.998	2.97
	60mm	4.3	58.7	181.1	64.5	152.4	22.4	M12	42.4	25.4	127.00/126.95	75.4
214	2-1/2	13.0	2.54	7.63	2.80	6.50	1.13	1/2	1.67	1.06	5.500/5.498	3.31
	2-11/16	12.9	2.54	7.63	2.80	6.50	1.13	1/2	1.67	1.06	5.500/5.498	3.31
	70mm	5.5	64.5	193.8	71.1	165.1	28.7	M12	42.4	26.9	139.70/139.65	84.1

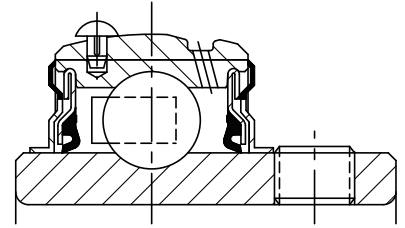
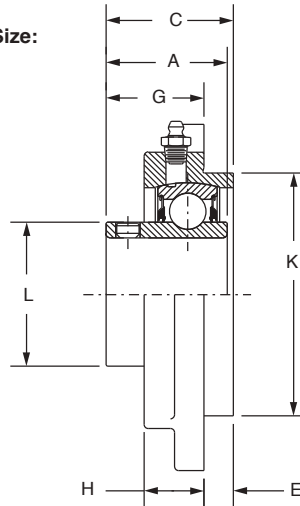
Set screw mounted ball bearings

Selection/Dimensions

Set screw mounted ball bearings SCM medium duty piloted flange bearings



Lube Fitting Thread Size:
1/8-27 NPT



Series	Shaft size	Part no.	Description
206	1	126167	FC-SCM-100
	25mm	125940	FC-SCM-25M
207	1-3/16	126168	FC-SCM-103
	1-1/4	124224	FC-SC-104
	30mm	125941	FC-SCM-30M
208	1-7/16	126170	FC-SCM-107
	1-1/2	126171	FC-SCM-108
	35mm	125942	FC-SCM-35M
209	1-1/2	056492	FC-SCM-108L
	1-5/8	065644	FC-SC-110L
	40mm	125943	FC-SCM-40M
210	1-11/16	126172	FC-SCM-111
	1-3/4	126173	FC-SCM-112
	45mm	125944	FC-SCM-45M
211	1-15/16	126174	FC-SCM-115
	2	126175	FC-SCM-200
	50mm	125945	FC-SCM-50M
212	2-3/16	126176	FC-SCM-203
	2-1/4	126177	FC-SCM-204
	55mm	125946	FC-SCM-55M
214	2-7/16	126178	FC-SCM-207
	2-1/2	126179	FC-SCM-208
	65mm	125947	FC-SCM-65M
216	2-15/16	126180	FC-SCM-215
	3	126182	FC-SCM-300
	75mm	125948	FC-SCM-75M
218	3-7/16	126183	FC-SCM-307
	3-1/2	126184	FC-SCM-308
	85mm	125949	FC-SCM-85M

@ Assembled to order

Set screw mounted ball bearings

Selection/Dimensions

Set screw mounted ball bearings

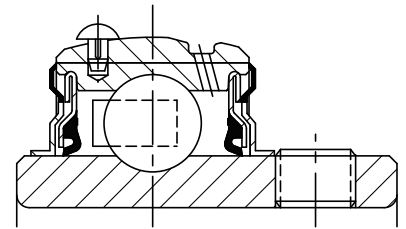
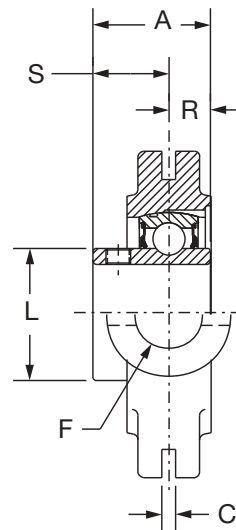
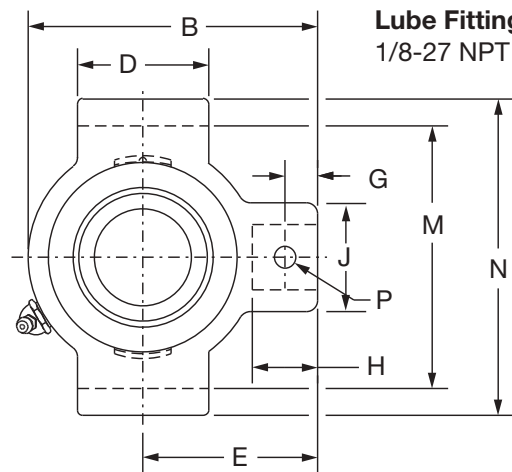
SCM medium duty piloted flange bearings

Series	Shaft size	Weight lb kg	A	B	C	D	E	F bolt dia.	G	H	K	L
206	1	3.3	1.52	4.38	1.53	3.63	0.25	3/8	1.28	0.81	3.000/2.998	1.57
	25mm	1.4	38.6	111.3	38.9	92.2	6.4	M10	32.5	20.6	76.20/76.15	39.9
207	1-3/16	4.2	1.71	5.00	1.78	4.13	0.38	3/8	1.40	0.84	3.375/3.373	1.84
	1-1/4	4.2	1.71	5.00	1.78	4.13	0.38	3/8	1.40	0.84	3.375/3.373	1.84
	30mm	1.9	43.4	127.0	45.2	104.9	9.7	M10	35.6	21.3	85.73/85.67	46.7
208	1-7/16	4.8	1.94	5.25	1.98	4.38	0.44	7/16	1.54	0.89	3.625/3.623	2.05
	1-1/2	4.6	1.94	5.25	1.98	4.38	0.44	7/16	1.54	0.89	3.625/3.623	2.05
	35mm	2.1	49.3	133.4	50.3	111.3	11.2	M12	39.1	22.6	92.08/92.02	52.1
209	1-1/2	5.6	1.94	5.75	1.95	4.75	0.44	1/2	1.51	0.91	4.000/3.998	2.22
	1-5/8	5.6	1.94	5.75	1.95	4.75	0.44	1/2	1.51	0.91	4.000/3.998	2.22
	40mm	2.5	49.3	146.1	49.5	120.7	11.2	M12	38.4	23.1	101.60/101.55	56.4
210	1-11/16	6.4	1.94	6.13	1.98	5.13	0.47	1/2	1.51	0.92	4.250/4.248	2.43
	1-3/4	6.3	1.94	6.13	1.98	5.13	0.47	1/2	1.51	0.92	4.250/4.248	2.43
	45mm	2.9	49.3	155.7	50.3	130.3	11.9	M12	38.4	23.4	107.95/107.90	61.7
211	1-15/16	7.6	2.22	6.38	2.35	5.38	0.63	1/2	1.72	1.00	4.500/4.498	2.71
	2	7.4	2.22	6.38	2.35	5.38	0.63	1/2	1.72	1.00	4.500/4.498	2.71
	50mm	3.4	56.4	162.1	59.7	136.7	16.0	M12	43.7	25.4	114.30/114.25	68.8
212	2-3/16	9.5	2.31	7.13	2.54	6.00	0.88	1/2	1.67	1.00	5.000/4.998	2.97
	2-1/4	9.8	2.31	7.13	2.54	6.00	0.88	1/2	1.67	1.00	5.000/4.998	2.97
	55mm	4.4	58.7	181.1	64.5	152.4	22.4	M12	42.4	25.4	127.00/126.95	75.4
214	2-7/16	13.2	2.54	7.63	2.80	6.50	1.13	1/2	1.67	1.06	5.500/5.498	3.31
	2-1/2	13.0	2.54	7.63	2.80	6.50	1.13	1/2	1.67	1.06	5.500/5.498	3.31
	65mm	5.9	64.5	193.8	71.1	165.1	28.7	M12	42.4	26.9	139.70/139.65	84.1
216	2-15/16	18.8	2.38	8.75	3.02	7.50	1.25	5/8	1.77	1.19	6.375/6.373	3.83
	3	18.6	2.38	8.75	3.02	7.50	1.25	5/8	1.77	1.19	6.375/6.373	3.83
	75mm	8.5	60.5	222.3	76.7	190.5	31.8	M16	45.0	30.2	161.93/161.87	97.3
218	3-7/16	28.7	2.56	10.25	3.33	8.38	1.13	3/4	2.21	1.63	7.375/7.373	4.35
	3-1/2	28.5	2.56	10.25	3.33	8.38	1.13	3/4	2.21	1.63	7.375/7.373	4.35
	85mm	13.5	65.0	260.4	84.6	212.9	28.6	M18	56.1	41.4	187.33/187.27	110.5

Set screw mounted ball bearings

Selection/Dimensions

Set screw mounted ball bearings
SC normal duty narrow slot take-up bearings



Series	Shaft size	Standard		No lube/Sealed for life (-NL)	
		Part no.	Description	Part no.	Description
204	1/2	125328	NSTU-SC-008	@	NSTU-SC-008-NL
	5/8	125329	NSTU-SC-010	@	NSTU-SC-010-NL
	3/4	125050	NSTU-SC-012	073970	NSTU-SC-012-NL
	20mm	125900	NSTU-SC-20M	@	NSTU-SC-20M-NL
205	7/8	125365	NSTU-SC-014	@	NSTU-SC-014-NL
	15/16	125051	NSTU-SC-015	@	NSTU-SC-015-NL
	1	125052	NSTU-SC-100	125054	NSTU-SC-100-NL
	25mm	125901	NSTU-SC-25M	@	NSTU-SC-25M-NL
206	1-1/16	125366	NSTU-SC-101	@	NSTU-SC-101-NL
	1-1/8	125367	NSTU-SC-102	065642	NSTU-SC-102-NL
	1-3/16	125153	NSTU-SC-103	052194	NSTU-SC-103-NL
	1-1/4	123174	NSTU-SC-104S	@	NSTU-SC-104S-NL
	30mm	125902	NSTU-SC-30M	@	NSTU-SC-30M-NL
207	1-1/4	125154	NSTU-SC-104	058897	NSTU-SC-104-NL
	1-5/16	125368	NSTU-SC-105	065681	NSTU-SC-105-NL
	1-3/8	125369	NSTU-SC-106	125378	NSTU-SC-106-NL
	1-7/16	125155	NSTU-SC-107	052199	NSTU-SC-107-NL
	35mm	125903	NSTU-SC-35M	@	NSTU-SC-35M-NL

@ Assembled to order

See B15-9 for Take-Up Frames

Set screw mounted ball bearings

Selection/Dimensions

Set screw mounted ball bearings

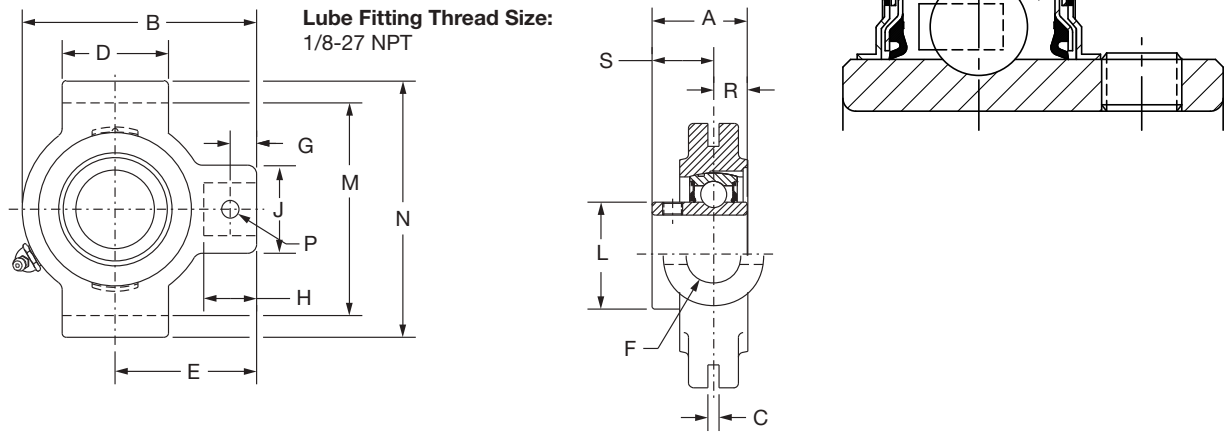
SC normal duty narrow slot take-up bearings

Series	Shaft Size	Weight lb kg	Take-Up Frame No. Ref.	A	B	C	D	E	F Bolt Dia.	G	H	J	L	M	N	P Pin Dia.	R	S
204	1/2	1.6	NS210	1.23	3.50	0.250	1.50	2.19	3/4	0.44	0.88	1.38	1.12	2.635/2.605	3.13	0.32	0.50	0.73
	5/8	1.5	NS210	1.23	3.50	0.250	1.50	2.19	3/4	0.44	0.88	1.38	1.12	2.635/2.605	3.13	0.32	0.50	0.73
	3/4	1.4	NS210	1.23	3.50	0.250	1.50	2.19	3/4	0.44	0.88	1.38	1.12	2.635/2.605	3.13	0.32	0.50	0.73
	20mm	0.8	NS210	31.2	88.9	6.35	38.1	55.6	19.1	11.2	22.4	35.1	28.4	66.93/66.17	79.5	8.1	12.7	18.5
205	7/8	1.7	NS210	1.34	3.56	0.250	1.50	2.19	3/4	0.44	0.88	1.38	1.32	2.635/2.605	3.13	0.32	0.56	0.78
	15/16	1.6	NS210	1.34	3.56	0.250	1.50	2.19	3/4	0.44	0.88	1.38	1.32	2.635/2.605	3.13	0.32	0.56	0.78
	1	1.5	NS210	1.34	3.56	0.250	1.50	2.19	3/4	0.44	0.88	1.38	1.32	2.635/2.605	3.13	0.32	0.56	0.78
	25mm	0.7	NS210	34.0	90.4	6.35	38.1	55.6	19.1	11.2	22.4	35.1	33.5	66.93/66.17	79.5	8.1	14.2	19.8
206	1-1/16	2.9	NS308	1.52	4.31	0.250	2.50	2.69	3/4	0.50	0.94	1.38	1.57	3.510/3.480	4.13	0.32	0.58	0.94
	1-1/8	2.8	NS308	1.52	4.31	0.250	2.50	2.69	3/4	0.50	0.94	1.38	1.57	3.510/3.480	4.13	0.32	0.58	0.94
	1-3/16	2.7	NS308	1.52	4.31	0.250	2.50	2.69	3/4	0.50	0.94	1.38	1.57	3.510/3.480	4.13	0.32	0.58	0.94
	1-1/4	2.6	NS308	1.52	4.31	0.250	2.50	2.69	3/4	0.50	0.94	1.38	1.57	3.510/3.480	4.13	0.32	0.58	0.94
	30mm	1.2	NS308	38.6	109.5	6.35	63.5	68.3	19.1	12.7	23.9	35.1	39.9	89.15/88.39	104.9	8.1	14.7	23.9
207	1-1/4	2.8	NS308	1.71	4.50	0.250	2.50	2.69	3/4	0.50	0.94	1.38	1.84	3.510/3.480	4.13	0.32	0.67	1.04
	1-5/16	2.7	NS308	1.71	4.50	0.250	2.50	2.69	3/4	0.50	0.94	1.38	1.84	3.510/3.480	4.13	0.32	0.67	1.04
	1-3/8	2.6	NS308	1.71	4.50	0.250	2.50	2.69	3/4	0.50	0.94	1.38	1.84	3.510/3.480	4.13	0.32	0.67	1.04
	1-7/16	2.5	NS308	1.71	4.50	0.250	2.50	2.69	3/4	0.50	0.94	1.38	1.84	3.510/3.480	4.13	0.32	0.67	1.04
	35mm	1.2	NS308	43.4	114.3	6.35	63.5	68.3	19.1	12.7	23.9	35.1	46.7	89.15/88.39	104.9	8.1	17.0	26.4

Set screw mounted ball bearings

Selection/Dimensions

Set screw mounted ball bearings SC normal duty narrow slot take-up bearings



Series	Shaft size	Standard		Sealed For Life	
		Part no.	Description	Part no.	Description
208	1-1/2	125156	NSTU-SC-108	@	NSTU-SC-108-NL
	1-5/8	125370	NSTU-SC-110	@	NSTU-SC-110-NL
	40mm	125904	NSTU-SC-40M	@	NSTU-SC-40M-NL
209	1-5/8	065593	NSTU-SC-110L	@	NSTU-SC-110L-NL
	1-11/16	125157	NSTU-SC-111	052939	NSTU-SC-111-NL
	1-3/4	125371	NSTU-SC-112	068184	NSTU-SC-112-NL
210	45mm	125905	NSTU-SC-45M	@	NSTU-SC-45M-NL
	1-15/16	125158	NSTU-SC-115	125159	NSTU-SC-115-NL
	2	125372	NSTU-SC-200	068659	NSTU-SC-200-NL
211	50mm	125906	NSTU-SC-50M	@	NSTU-SC-50M-NL
	2	135171	NSTU-SCM-200	@	NSTU-SCM-200-NL
	2-3/16	125160	NSTU-SC-203	@	NSTU-SC-203-NL
212	2-1/4	125373	NSTU-SC-204	@	NSTU-SC-204-NL
	55mm	125907	NSTU-SC-55M	@	NSTU-SC-55M-NL
	2-1/4	135172	NSTU-SCM-204	126544	NSTU-SCM-204-NL
212	2-7/16	125162	NSTU-SC-207	073430	NSTU-SC-207-NL
	60mm	125908	NSTU-SC-60M	@	NSTU-SC-60M-NL

@ Assembled to order

See B15-9 for Take-Up Frames

Series	Shaft size	Weight lb kg	Take-up frame no. ref.	A	B	C*	D	E	F screw dia.	G	H	J	L	M	N	P pin dia.	R	S
208	1-1/2	4.7	NS400	1.94	5.38	0.313	3.00	3.25	7/8	0.66	1.16	1.63	2.05	4.015/3.985	4.75	0.38	0.75	1.19
	1-5/8	4.6	NS400	1.94	5.38	0.313	3.00	3.25	7/8	0.66	1.16	1.63	2.05	4.015/3.985	4.75	0.38	0.75	1.19
	40mm	2.1	NS400	49.3	136.7	7.95	76.2	82.6	22.2	16.8	29.5	41.4	52.1	101.98/101.22	120.7	9.7	19.1	30.2
209	1-5/8	4.9	NS400	1.94	5.44	0.313	3.00	3.25	7/8	0.72	1.22	1.63	2.22	4.015/3.985	4.75	0.38	0.75	1.19
	1-11/16	4.8	NS400	1.94	5.44	0.313	3.00	3.25	7/8	0.72	1.22	1.63	2.22	4.015/3.985	4.75	0.38	0.75	1.19
	1-3/4	4.7	NS400	1.94	5.44	0.313	3.00	3.25	7/8	0.72	1.22	1.63	2.22	4.015/3.985	4.75	0.38	0.75	1.19
210	45mm	2.1	NS400	49.3	138.2	7.95	76.2	82.6	22.2	18.3	31.0	41.4	56.4	101.98/101.22	120.7	9.7	19.1	30.2
	1-15/16	4.9	NS400	1.94	5.50	0.313	3.00	3.25	7/8	0.59	1.09	1.63	2.43	4.015/3.985	4.75	0.38	0.75	1.19
	2	4.8	NS400	1.94	5.50	0.313	3.00	3.25	7/8	0.59	1.09	1.63	2.43	4.015/3.985	4.75	0.38	0.75	1.19
211	50mm	2.2	NS400	49.3	139.7	7.95	76.2	82.6	22.2	15.0	27.7	41.4	61.7	101.98/101.22	120.7	9.7	19.1	30.2
	2	6.8	NS407	2.22	6.13	0.313	3.50	3.63	1	0.69	1.28	1.75	2.71	4.448/4.418	5.38	0.44	0.87	1.35
	2-3/16	6.6	NS407	2.22	6.13	0.313	3.50	3.63	1	0.69	1.28	1.75	2.71	4.448/4.418	5.38	0.44	0.87	1.35
212	2-1/4	6.5	NS407	2.22	6.13	0.313	3.50	3.63	1	0.69	1.28	1.75	2.71	4.448/4.418	5.38	0.44	0.87	1.35
	55mm	3.0	NS407	56.4	155.7	7.95	88.9	92.2	25.4	17.5	32.5	44.5	68.8	112.98/112.22	136.7	11.2	22.1	34.3
	2-1/4	8.7	NS415	2.31	6.69	0.313	3.75	3.88	1	0.69	1.28	1.63	2.97	4.947/4.917	5.75	0.44	0.90	1.41
212	2-7/16	8.4	NS415	2.31	6.69	0.313	3.75	3.88	1	0.69	1.28	1.63	2.97	4.947/4.917	5.75	0.44	0.90	1.41
	60mm	4.9	NS415	58.7	169.9	7.95	95.3	98.6	25.4	17.5	32.5	41.4	75.4	125.65/124.89	146.1	11.2	22.9	35.8

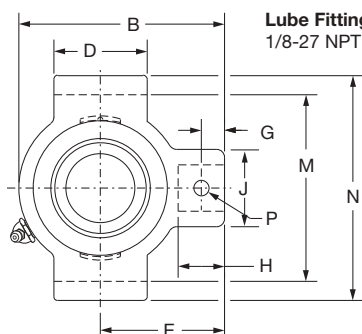
#+.010, -.020. +.25mm, -.50mm

Set screw mounted ball bearings

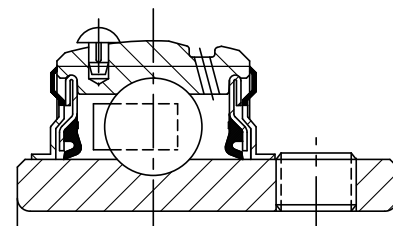
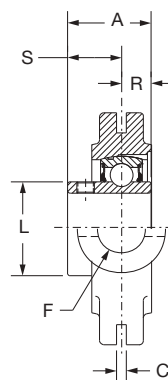
Selection/Dimensions

Set screw mounted ball bearings

SCM medium duty narrow slot take-up bearings



Lube Fitting Thread Size:
1/8-27 NPT



Series	Shaft size	Part no.	Description
206	1	135102	NSTU-SCM-100
	25mm	125980	NSTU-SCM-25M
207	1-3/16	135081	NSTU-SCM-103
	1-1/4	125154	NSTU-SC-104
208	30mm	125981	NSTU-SCM-30M
	1-7/16	135105	NSTU-SCM-107
209	35mm	125982	NSTU-SCM-35M
	1-1/2	135106	NSTU-SCM-108
210	1-5/8	065593	NSTU-SC-110L
	40mm	125983	NSTU-SCM-40M
211	1-11/16	135107	NSTU-SCM-111
	1-3/4	135170	NSTU-SCM-112
212	45mm	125984	NSTU-SCM-45M
	1-15/16	135109	NSTU-SCM-115
211	2	135171	NSTU-SCM-200
	50mm	125985	NSTU-SCM-50M
212	2-3/16	135111	NSTU-SCM-203
	2-1/4	135172	NSTU-SCM-204
	55mm	125986	NSTU-SCM-55M

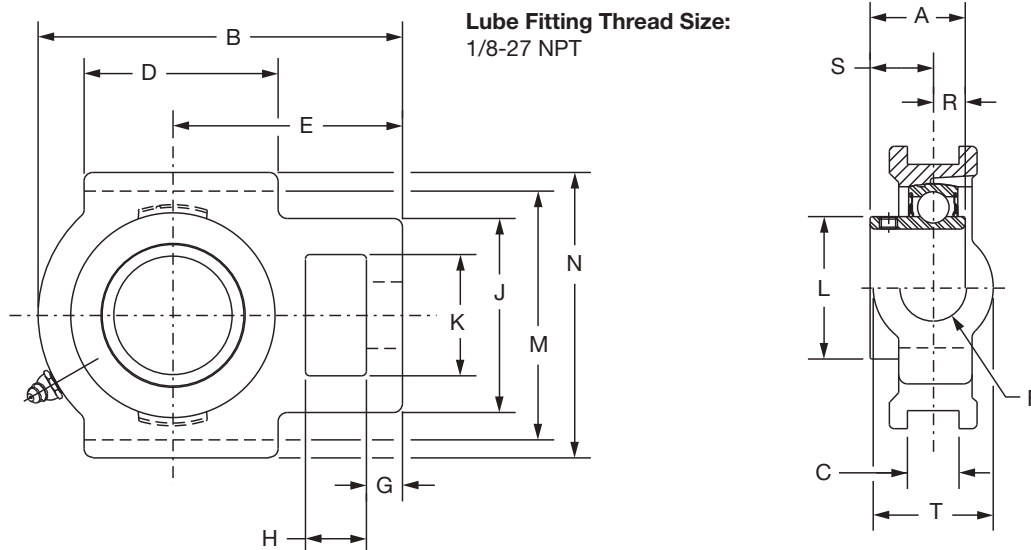
@ Assembled to order

Series	Shaft size	Weight lb kg	Take-up frame no. ref	A	B	C	D	E	F bolt dia.	G	H	J	L	M	N	P pin dia.	R	S
206	1	3.0	NS308	1.52	4.31	0.250	2.50	2.69	3/4	0.50	0.94	1.38	1.57	3.510/3.480	4.13	0.32	0.58	0.94
	25mm	7.2	NS308	38.6	109.5	6.35	63.5	68.3	19.1	12.7	23.9	35.1	39.9	89.15/88.39	104.9	8.1	14.7	23.9
207	1-3/16	2.9	NS308	1.71	4.50	0.250	2.50	2.69	3/4	0.50	0.94	1.38	1.84	3.510/3.480	4.13	0.32	0.67	1.04
	1-1/4	2.8	NS308	1.71	4.50	0.250	2.50	2.69	3/4	0.50	0.94	1.38	1.84	3.510/3.480	4.13	0.32	0.67	1.04
208	30mm	7.3	NS308	43.4	114.3	6.35	63.5	68.3	19.1	12.7	23.9	35.1	46.7	89.15/88.39	104.9	8.1	17.0	26.4
	1-7/16	4.7	NS400	1.94	5.38	0.313	3.00	3.25	7/8	0.66	1.16	1.63	2.05	4.015/3.985	4.75	0.38	0.75	1.19
209	35mm	2.2	NS400	49.3	136.7	7.95	76.2	82.6	22.2	16.8	29.5	41.4	52.1	101.98/101.22	120.7	9.7	19.1	30.2
	1-1/2	5.0	NS400	1.94	5.44	0.313	3.00	3.25	7/8	0.72	1.22	1.63	2.22	4.015/3.985	4.75	0.38	0.75	1.19
210	1-5/8	4.9	NS400	1.94	5.44	0.313	3.00	3.25	7/8	0.72	1.22	1.63	2.22	4.015/3.985	4.75	0.38	0.75	1.19
	40mm	2.3	NS400	49.3	138.2	7.95	76.2	82.6	22.2	18.3	31.0	41.4	56.4	101.98/101.22	120.7	9.7	19.1	30.2
211	1-11/16	5.3	NS400	1.94	5.50	0.313	3.00	3.25	7/8	0.59	1.09	1.63	2.43	4.015/3.985	4.75	0.38	0.75	1.19
	1-3/4	5.2	NS400	1.94	5.50	0.313	3.00	3.25	7/8	0.59	1.09	1.63	2.43	4.015/3.985	4.75	0.38	0.75	1.19
212	45mm	2.4	NS400	49.3	139.7	7.95	76.2	82.6	22.2	15.0	27.7	41.4	61.7	101.98/101.22	120.7	9.7	19.1	30.2
	1-15/16	7.0	NS407	2.22	6.13	0.313	3.50	3.63	1	0.69	1.28	1.75	2.71	4.448/4.418	5.38	0.44	0.87	1.35
211	2	6.8	NS407	2.22	6.13	0.313	3.50	3.63	1	0.69	1.28	1.75	2.71	4.448/4.418	5.38	0.44	0.87	1.35
	50mm	3.2	NS407	56.4	155.7	7.95	88.9	92.2	25.4	17.5	32.5	44.5	68.8	112.98/112.22	136.7	11.2	22.1	34.3
212	2-3/16	8.9	NS415	2.31	6.69	0.313	3.75	3.88	1	0.69	1.28	1.63	2.97	4.947/4.917	5.75	0.44	0.90	1.41
	2-1/4	8.7	NS415	2.31	6.69	0.313	3.75	3.88	1	0.69	1.28	1.63	2.97	4.947/4.917	5.75	0.44	0.90	1.41
	55mm	4.0	NS415	58.7	169.9	7.95	95.3	98.6	25.4	17.5	32.5	41.4	75.4	125.65/124.89	146.1	11.2	22.9	35.8

Set screw mounted ball bearings

Selection/Dimensions

Set screw mounted ball bearings
SC normal duty wide slot take-up bearings



Series	Shaft size	Standard		No lube/Sealed for life (-NL)	
		Part no.	Description	Part no.	Description
204	1/2	125343	WSTU-SC-008	@	WSTU-SC-008-NL
	5/8	125344	WSTU-SC-010	@	WSTU-SC-010-NL
	3/4	125010	WSTU-SC-012	074935	WSTU-SC-012-NL
	20mm	125910	WSTU-SC-20M	@	WSTU-SC-20M-NL
205	7/8	125356	WSTU-SC-014	@	WSTU-SC-014-NL
	15/16	125011	WSTU-SC-015	@	WSTU-SC-015-NL
	1	125012	WSTU-SC-100	@	WSTU-SC-100-NL
	25mm	125911	WSTU-SC-25M	@	WSTU-SC-25M-NL
206	1-1/16	125357	WSTU-SC-101	@	WSTU-SC-101-NL
	1-1/8	125358	WSTU-SC-102	@	WSTU-SC-102-NL
	1-3/16	125113	WSTU-SC-103	@	WSTU-SC-103-NL
	1-1/4	123175	WSTU-SC-104S	@	WSTU-SC-104S-NL
	30mm	125912	WSTU-SC-30M	@	WSTU-SC-30M-NL
207	1-1/4	125360	WSTU-SC-104	073793	WSTU-SC-104-NL
	1-5/16	125359	WSTU-SC-105	@	WSTU-SC-105-NL
	1-3/8	125361	WSTU-SC-106	@	WSTU-SC-106-NL
	1-7/16	125114	WSTU-SC-107	050846	WSTU-SC-107-NL
	35mm	125913	WSTU-SC-35M	@	WSTU-SC-35M-NL
208	1-1/2	125120	WSTU-SC-108	049829	WSTU-SC-108-NL
	1-5/8	125355	WSTU-SC-110	@	WSTU-SC-110-NL
	40mm	125914	WSTU-SC-40M	@	WSTU-SC-40M-NL

@ Assembled to order

Set screw mounted ball bearings

Selection/Dimensions

Set screw mounted ball bearings
SC normal duty wide slot take-up bearings

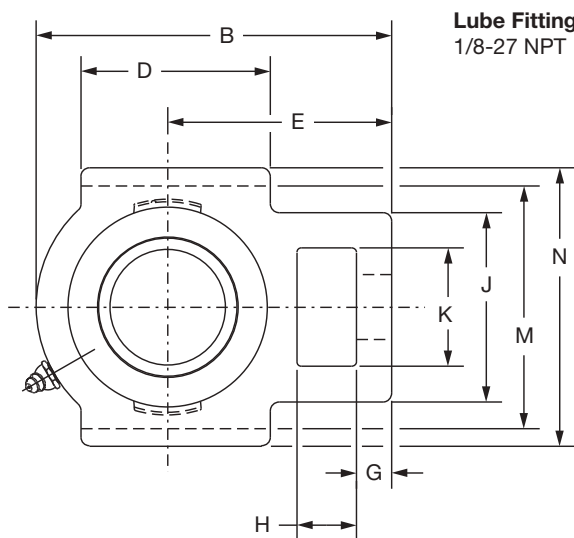
Series	Shaft size	Weight lb kg	Take-up frame size	A	B	C	D	E	F	G	H
204	1/2	2.1	WS300	1.23	3.69	0.531	2.00	2.38	5/8	0.38	0.63
	5/8	2.0	WS300	1.23	3.69	0.531	2.00	2.38	5/8	0.38	0.63
	3/4	1.9	WS300	1.23	3.69	0.531	2.00	2.38	5/8	0.38	0.63
	20mm	0.9	WS300	31.2	93.7	13.49	50.8	60.5	15.9	9.7	16.0
205	7/8	2.2	WS300	1.34	3.81	0.531	2.00	2.44	5/8	0.38	0.63
	15/16	2.1	WS300	1.34	3.81	0.531	2.00	2.44	5/8	0.38	0.63
	1	2.0	WS300	1.34	3.81	0.531	2.00	2.44	5/8	0.38	0.63
	25mm	1.0	WS300	34.0	96.8	13.49	50.8	62.0	15.9	9.7	16.0
206	1-1/16	3.1	WS308	1.52	4.38	0.531	2.25	2.75	3/4	0.38	0.63
	1-1/8	3.0	WS308	1.52	4.38	0.531	2.25	2.75	3/4	0.38	0.63
	1-3/16	2.9	WS308	1.52	4.38	0.531	2.25	2.75	3/4	0.38	0.63
	1-1/4	2.8	WS308	1.52	4.38	0.531	2.25	2.75	3/4	0.38	0.63
	30mm	1.3	WS308	38.6	111.3	13.49	57.2	69.9	19.1	9.7	16.0
207	1-1/4	3.8	WS308	1.71	4.87	0.531	2.50	3.06	3/4	0.50	0.63
	1-5/16	3.7	WS308	1.71	4.87	0.531	2.50	3.06	3/4	0.50	0.63
	1-3/8	3.6	WS308	1.71	4.87	0.531	2.50	3.06	3/4	0.50	0.63
	1-7/16	3.5	WS308	1.71	4.87	0.531	2.50	3.06	3/4	0.50	0.63
	35mm	1.6	WS308	43.4	123.7	13.49	63.5	77.7	19.1	12.7	16.0
208	1-1/2	6.1	WS400	1.94	5.69	0.688	3.25	3.50	1	0.63	0.75
	1-5/8	6.0	WS400	1.94	5.69	0.688	3.25	3.50	1	0.63	0.75
	40mm	2.8	WS400	49.3	144.5	17.48	82.6	88.9	25.4	16.0	19.1

Series	Shaft size	J	K	L	M	N	R	S	T
204	1/2	2.00	1.25	1.12	2.985/3.015	3.63	0.50	0.73	1.38
	5/8	2.00	1.25	1.12	2.985/3.015	3.63	0.50	0.73	1.38
	3/4	2.00	1.25	1.12	2.985/3.015	3.63	0.50	0.73	1.38
	20mm	50.8	31.8	28.4	75.82/76.58	92.2	12.7	18.5	35.1
205	7/8	2.00	1.31	1.32	2.985/3.015	3.63	0.56	0.78	1.38
	15/16	2.00	1.31	1.32	2.985/3.015	3.63	0.56	0.78	1.38
	1	2.00	1.31	1.32	2.985/3.015	3.63	0.56	0.78	1.38
	25mm	50.8	33.3	33.5	75.82/76.58	92.2	14.2	19.8	35.1
206	1-1/16	2.19	1.44	1.57	3.480/3.510	4.13	0.58	0.94	1.38
	1-1/8	2.19	1.44	1.57	3.480/3.510	4.13	0.58	0.94	1.38
	1-3/16	2.19	1.44	1.57	3.480/3.510	4.13	0.58	0.94	1.38
	1-1/4	2.19	1.44	1.57	3.480/3.510	4.13	0.58	0.94	1.38
	30mm	55.6	36.6	39.9	88.39/89.15	104.9	14.7	23.9	35.1
207	1-1/4	2.50	1.44	1.84	3.480/3.510	4.13	0.67	1.04	1.63
	1-5/16	2.50	1.44	1.84	3.480/3.510	4.13	0.67	1.04	1.63
	1-3/8	2.50	1.44	1.84	3.480/3.510	4.13	0.67	1.04	1.63
	1-7/16	2.50	1.44	1.84	3.480/3.510	4.13	0.67	1.04	1.63
	35mm	63.5	36.6	46.7	88.39/89.15	104.9	17.0	26.4	41.4
208	1-1/2	3.25	1.94	2.05	3.985/4.015	4.50	0.75	1.19	1.94
	1-5/8	3.25	1.94	2.05	3.985/4.015	4.50	0.75	1.19	1.94
	40mm	82.6	49.3	52.1	101.22/101.98	114.3	19.1	30.2	49.3

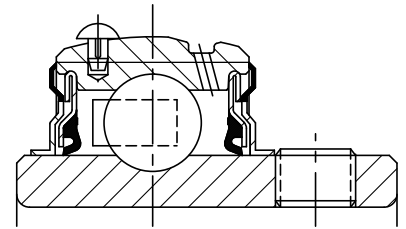
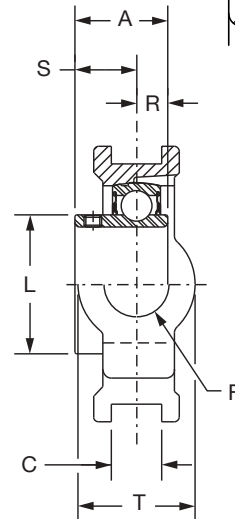
Set screw mounted ball bearings

Selection/Dimensions

Set screw mounted ball bearings
SC normal duty wide slot take-up bearings



Lube Fitting Thread Size:
1/8-27 NPT



Series	Shaft size	Standard		No lube/Sealed for life (-NL)	
		Part no.	Description	Part no.	Description
209	1-5/8	125151	WSTU-SC-110L	@	WSTU-SC-110L-NL
	1-11/16	125115	WSTU-SC-111	@	WSTU-SC-111-NL
	1-3/4	125362	WSTU-SC-112	@	WSTU-SC-112-NL
	1-13/16	125121	WSTU-SC-113	@	WSTU-SC-113-NL
	45mm	125915	WSTU-SC-45M	@	WSTU-SC-45M-NL
210	1-15/16	125116	WSTU-SC-115	125071	WSTU-SC-115-NL
	2	125363	WSTU-SC-200	062691	WSTU-SC-200-NL
	50mm	125916	WSTU-SC-50M	068374	WSTU-SC-50M-NL
211	2	135183	WSTU-SCM-200	058705	WSTU-SCM-200-NL
	2-3/16	125117	WSTU-SC-203	@	WSTU-SC-203-NL
	2-1/4	125364	WSTU-SC-204	@	WSTU-SC-204-NL
	55mm	125917	WSTU-SC-55M	@	WSTU-SC-55M-NL
212	2-1/4	135184	WSTU-SCM-204	@	WSTU-SCM-204-NL
	2-7/16	125118	WSTU-SC-207	@	WSTU-SC-207-NL
	60mm	125918	WSTU-SC-60M	@	WSTU-SC-60M-NL
214	2-1/2	135185	WSTU-SCM-208	@	WSTU-SCM-208-NL
	2-11/16	064704	WSTU-SC-211	@	WSTU-SC-211-NL
	70mm	062975	WSTU-SC-70M	@	WSTU-SC-70M-NL
215	2-15/16	125119	WSTU-SC-215	@	WSTU-SC-215-NL
	75mm	125919	WSTU-SC-75M	@	WSTU-SC-75M-NL

@ Assembled to order

Set screw mounted ball bearings

Selection/Dimensions

Set screw mounted ball bearings
SC normal duty wide slot take-up bearings

Series	Shaft size	Weight lb kg	Take-up frame size	A	B	C	D	E	F screw dia.	G
209	1-5/8	6.1	WS400	1.94	5.63	0.688	3.25	3.44	1	0.63
	1-11/16	6.0	WS400	1.94	5.63	0.688	3.25	3.44	1	0.63
	1-3/4	5.9	WS400	1.94	5.63	0.688	3.25	3.44	1	0.63
	1-13/16	5.8	WS400	1.94	5.63	0.688	3.25	3.44	1	0.63
	45mm	2.7	WS400	49.3	143.0	17.48	82.6	87.4	25.4	16.0
210	1-15/16	6.4	WS400	1.94	5.82	0.688	3.38	3.56	1	0.63
	2	6.2	WS400	1.94	5.82	0.688	3.38	3.56	1	0.63
	50mm	2.9	WS400	49.3	147.8	17.48	85.9	90.4	25.4	16.0
211	2	10.1	WS502	2.22	6.69	1.063	3.75	4.19	1-1/4	0.75
	2-3/16	10.0	WS502	2.22	6.69	1.063	3.75	4.19	1-1/4	0.75
	2-1/4	9.8	WS502	2.22	6.69	1.063	3.75	4.19	1-1/4	0.75
	55mm	4.5	WS502	56.4	169.9	27.00	95.3	106.4	31.8	19.1
212	2-1/4	11.2	WS502	2.31	7.50	1.063	4.00	4.69	1-1/4	0.75
	2-7/16	10.8	WS502	2.31	7.50	1.063	4.00	4.69	1-1/4	0.75
	60mm	4.9	WS502	58.7	190.5	27.00	101.6	119.1	31.8	19.1
214	2-1/2	18.0	WS515	2.54	8.56	1.063	4.75	5.38	1-1/2	0.81
	2-11/16	17.8	WS515	2.54	8.56	1.063	4.75	5.38	1-1/2	0.81
	70mm	8.0	WS515	64.5	217.4	27.0	120.7	136.7	38.1	20.6
215	2-15/16	18.9	WS515	2.33	9.13	1.063	4.75	5.50	1-1/2	0.81
	75mm	8.6	WS515	59.2	231.9	27.00	120.7	139.7	38.1	20.6

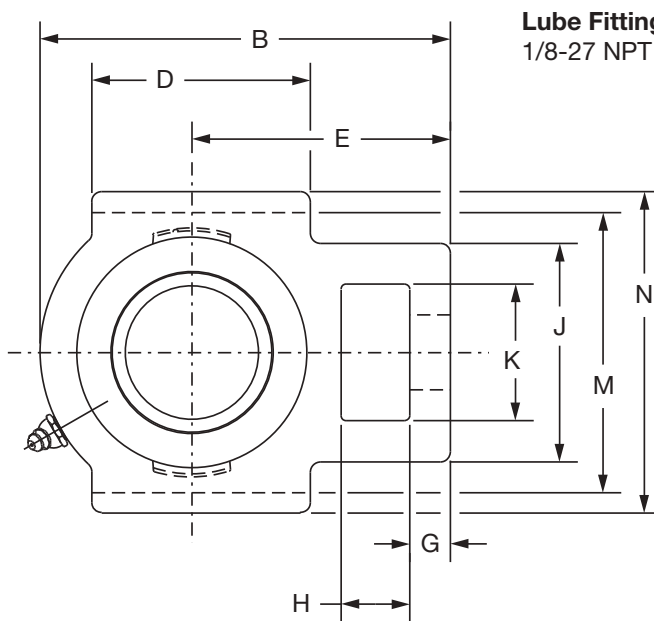
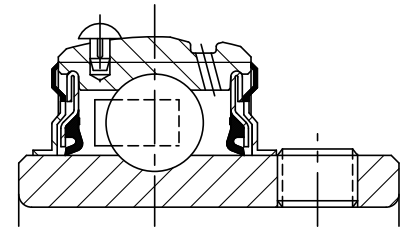
Series	Shaft size	H	J	K	L	M	N	R	S	T
209	1-5/8	0.75	3.25	1.94	2.22	3.985/4.015	4.75	0.75	1.19	1.94
	1-11/16	0.75	3.25	1.94	2.22	3.985/4.015	4.75	0.75	1.19	1.94
	1-3/4	0.75	3.25	1.94	2.22	3.985/4.015	4.75	0.75	1.19	1.94
	1-13/16	0.75	3.25	1.94	2.22	3.985/4.015	4.75	0.75	1.19	1.94
	45mm	19.1	82.6	49.3	56.4	101.22/101.98	120.7	19.1	30.2	49.3
210	1-15/16	0.75	3.25	1.94	2.43	3.985/4.015	4.75	0.75	1.19	1.94
	2	0.75	3.25	1.94	2.43	3.985/4.015	4.75	0.75	1.19	1.94
	50mm	19.1	82.6	49.3	61.7	101.22/101.98	120.7	19.1	30.2	49.3
211	2	1.00	4.00	2.50	2.71	5.110/5.114	5.88	0.87	1.35	2.50
	2-3/16	1.00	4.00	2.50	2.71	5.110/5.114	5.88	0.87	1.35	2.50
	2-1/4	1.00	4.00	2.50	2.71	5.110/5.114	5.88	0.87	1.35	2.50
	55mm	25.4	101.6	63.5	68.8	129.79/129.90	149.4	22.1	34.3	63.5
212	2-1/4	1.25	4.00	2.50	2.97	5.110/5.114	5.88	0.90	1.41	2.50
	2-7/16	1.25	4.00	2.50	2.97	5.110/5.114	5.88	0.90	1.41	2.50
	60mm	31.8	101.6	63.5	75.4	129.79/129.90	149.4	22.9	35.8	63.5
214	2-1/2	1.25	4.38	2.75	3.31	5.923/5.953	6.56	1.06	1.48	2.75
	2-11/16	1.25	4.38	2.75	3.31	5.923/5.953	6.56	1.06	1.48	2.75
	70mm	31.8	111.3	69.9	84.1	150.44/151.21	166.6	26.9	37.6	69.9
215	2-15/16	1.25	4.38	2.75	3.62	5.923/5.953	6.69	0.86	1.47	2.75
	75mm	31.8	111.3	69.9	91.9	150.44/151.21	169.9	21.8	37.3	69.9

* + or -.015., + or -.38mm # +.010, -.020, +.25mm, -.50mm

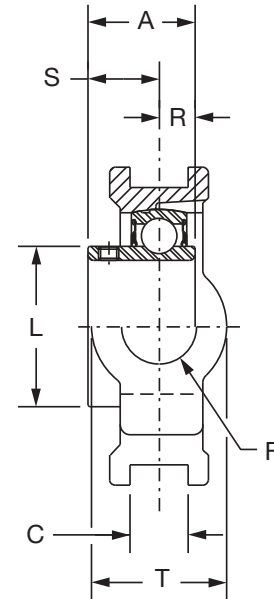
Set screw mounted ball bearings

Selection/Dimensions

Set screw mounted ball bearings
SCM medium duty wide slot take-up bearings



Lube Fitting Thread Size:
1/8-27 NPT



Series	Shaft size	Part no.	Description
206	1	135117	WSTU-SCM-100
	25mm	125989	WSTU-SCM-25M
207	1-3/16	135118	WSTU-SCM-103
	1-1/4	125360	WSTU-SC-104
	30mm	125990	WSTU-SCM-30M
208	1-7/16	135116	WSTU-SCM-107
	35mm	125991	WSTU-SCM-35M
209	1-1/2	135120	WSTU-SCM-108
	40mm	125992	WSTU-SCM-40M
210	1-11/16	135121	WSTU-SCM-111
	1-3/4	135182	WSTU-SCM-112
	45mm	125993	WSTU-SCM-45M

Set screw mounted ball bearings

Selection/Dimensions

Set screw mounted ball bearings

SCM medium duty wide slot take-up bearings

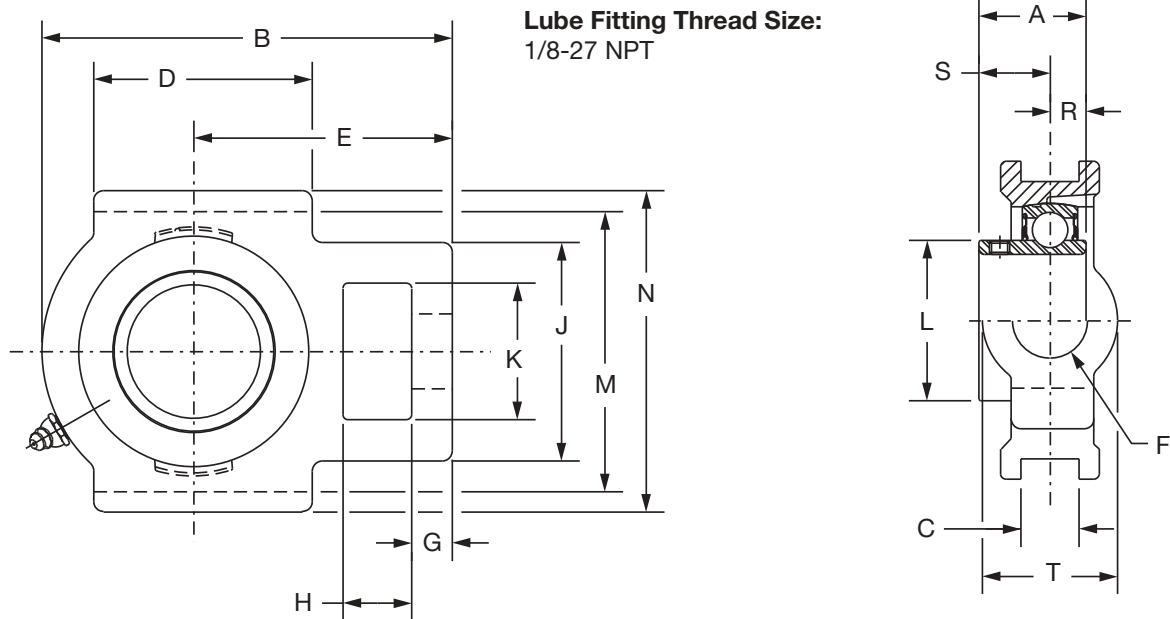
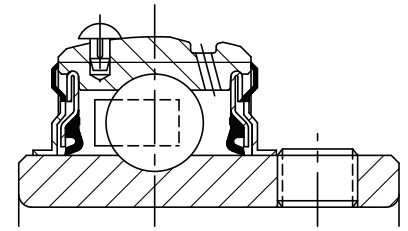
Series	Shaft size	Weight lb kg	Take-up frame no. ref.	A	B	C	D	E	F screw dia.	G
206	1	2.9	WS308	1.52	4.38	0.531	2.25	2.75	3/4	0.38
	25mm	1.4	WS308	38.6	111.3	13.49	57.2	69.9	19.1	9.7
207	1-3/16	3.9	WS308	1.71	4.87	0.531	2.50	3.06	3/4	0.50
	1-1/4	3.8	WS308	1.71	4.87	0.531	2.50	3.06	3/4	0.50
208	30mm	1.7	WS308	43.4	123.7	13.49	63.5	77.7	19.1	12.7
	1-7/16	6.1	WS400	1.94	5.69	0.688	3.25	3.50	1	0.63
209	35mm	2.9	WS400	49.3	144.5	17.48	82.6	88.9	25.4	16.0
	1-1/2	6.0	WS400	1.94	5.63	0.688	3.25	3.44	1	0.63
210	40mm	2.8	WS400	49.3	143.0	17.48	82.6	87.4	25.4	16.0
	1-11/16	6.4	WS400	1.94	5.82	0.688	3.38	3.56	1	0.63
210	1-3/4	6.4	WS400	1.94	5.82	0.688	3.38	3.56	1	0.63
	45mm	3.0	WS400	49.3	147.8	17.48	85.9	90.4	25.4	16.0

Series	Shaft size	H	J	K	L	M	N	R	S	T
206	1	0.63	2.19	1.44	1.57	3.480/3.510	4.13	0.58	0.94	1.38
	25mm	16.0	55.6	36.6	39.9	88.39/89.15	104.9	14.7	23.9	35.1
207	1-3/16	0.63	2.50	1.44	1.84	3.480/3.510	4.13	0.67	1.04	1.63
	1-1/4	0.63	2.50	1.44	1.84	3.480/3.510	4.13	0.67	1.04	1.63
208	30mm	16.0	63.5	36.6	46.7	88.39/89.15	104.9	17.0	26.4	41.4
	1-7/16	0.75	3.25	1.94	2.05	3.985/4.015	4.50	0.75	1.19	1.94
209	35mm	19.1	82.6	49.3	52.1	101.22/101.98	114.3	19.1	30.2	49.3
	1-1/2	0.75	3.25	1.94	2.22	3.985/4.015	4.75	0.75	1.19	1.94
210	40mm	19.1	82.6	49.3	56.4	101.22/101.98	120.7	19.1	30.2	49.3
	1-11/16	0.75	3.25	1.94	2.43	3.985/4.015	4.75	0.75	1.19	1.94
210	1-3/4	0.75	3.25	1.94	2.43	3.985/4.015	4.75	0.75	1.19	1.94
	45mm	19.1	82.6	49.3	61.7	101.22/101.98	120.7	19.1	30.2	49.3

Set screw mounted ball bearings

Selection/Dimensions

Set screw mounted ball bearings
SCM medium duty wide slot take-up bearings



Series	Shaft size	Part no.	Description
211	1-15/16	135123	WSTU-SCM-115
	2	135183	WSTU-SCM-200
	50mm	125994	WSTU-SCM-50M
212	2-3/16	135125	WSTU-SCM-203
	2-1/4	135184	WSTU-SCM-204
	55mm	125995	WSTU-SCM-55M
214	2-7/16	135127	WSTU-SCM-207
	2-1/2	135185	WSTU-SCM-208
	65mm	125996	WSTU-SCM-65M
215	2-11/16	135129	WSTU-SCM-211
	70mm	125997	WSTU-SCM-70M
216	2-15/16	135130	WSTU-SCM-215
	3	135181	WSTU-SCM-300
	75mm	125998	WSTU-SCM-75M

Set screw mounted ball bearings

Selection/Dimensions

Set screw mounted ball bearings
SCM medium duty wide slot take-up bearings

Series	Shaft size	Weight lb kg	Take-up frame no. ref	A	B	C	D	E	F screw dia.	G
211	1-15/16	10.1	WS502	2.22	6.69	1.063	3.75	4.19	1-1/4	0.75
	2	10.2	WS502	2.22	6.69	1.063	3.75	4.19	1-1/4	0.75
	50mm	4.7	WS502	56.4	169.9	27.00	95.3	106.4	31.8	19.1
212	2-3/16	11.4	WS502	2.31	7.50	1.063	4.00	4.69	1-1/4	0.75
	2-1/4	11.2	WS502	2.31	7.50	1.063	4.00	4.69	1-1/4	0.75
	55mm	5.1	WS502	58.7	190.5	27.00	101.6	119.1	31.8	19.1
214	2-7/16	18.2	WS515	2.54	8.56	1.063	4.75	5.38	1-1/2	0.81
	2-1/2	18.0	WS515	2.54	8.56	1.063	4.75	5.38	1-1/2	0.81
	65mm	8.1	WS515	64.5	217.4	27.0	120.7	136.7	38.1	20.6
215	2-11/16	19.0	WS515	2.33	9.13	1.063	4.75	5.50	1-1/2	0.81
	70mm	8.9	WS515	59.2	231.9	27.00	120.7	139.7	38.1	20.6
216	2-15/16	21.7	WS608	2.38	9.13	1.063	4.75	2.38	1-1/2	0.81
	3	21.5	WS608	2.38	9.13	1.063	4.75	2.38	1-1/2	0.81
	75mm	9.5	WS608	60.5	231.6	27.00	120.7	60.5	38.1	20.6

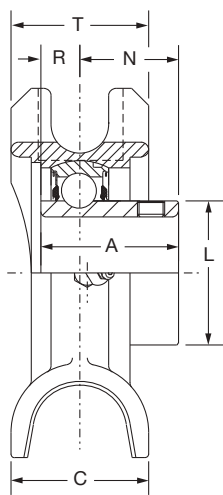
Series	Shaft size	H	J	K	L	M	N	R	S	T
211	1-15/16	1.00	4.00	2.50	2.71	5.110/5.114	5.88	0.87	1.35	2.50
	2	1.00	4.00	2.50	2.71	5.110/5.114	5.88	0.87	1.35	2.50
	50mm	25.4	101.6	63.5	68.8	129.79/129.90	149.4	22.1	34.3	63.5
212	2-3/16	1.25	4.00	2.50	2.97	5.110/5.114	5.88	0.90	1.41	2.50
	2-1/4	1.25	4.00	2.50	2.97	5.110/5.114	5.88	0.90	1.41	2.50
	55mm	31.8	101.6	63.5	75.4	129.79/129.90	149.4	22.9	35.8	63.5
214	2-7/16	1.25	4.38	2.75	3.31	5.923/5.953	6.56	1.06	1.48	2.75
	2-1/2	1.25	4.38	2.75	3.31	5.923/5.953	6.56	1.06	1.48	2.75
	65mm	31.8	111.3	69.9	84.1	150.44/151.21	166.6	26.9	37.6	69.9
215	2-11/16	1.25	4.38	2.75	3.62	5.923/5.953	6.69	0.86	1.47	2.75
	70mm	31.8	111.3	69.9	91.9	150.44/151.21	169.9	21.8	37.3	69.9
216	2-15/16	1.25	4.38	2.75	3.83	6.485/6.515	7.25	0.88	1.50	2.75
	3	1.25	4.38	2.75	3.83	6.485/6.515	7.25	0.88	1.50	2.75
	75mm	31.8	111.3	69.9	97.3	164.72/165.48	184.2	22.4	38.1	69.9

Set screw mounted ball bearings

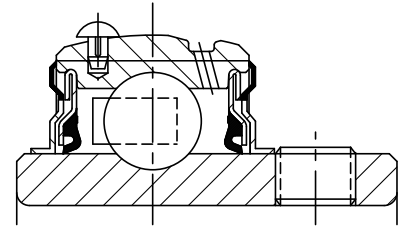
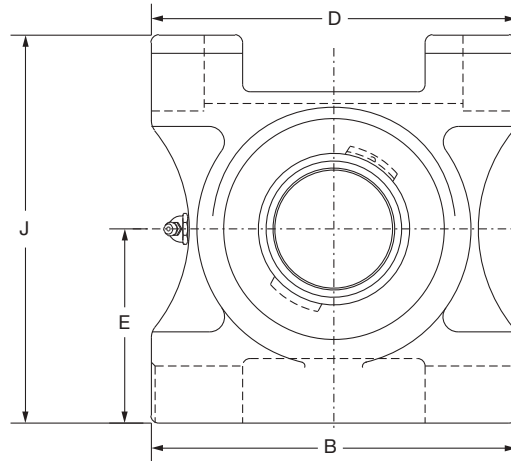
Selection/Dimensions

Set screw mounted ball bearings

Type G normal duty top angle take-up bearings



Lube Fitting Thread Size:
1/8-27 NPT



Series	Shaft size	Part no.	Description
210	1-15/16	012340	TP-G-115
	2	012302	TP-G-200
211	2	136081	TP-GM-200
	2-3/16	012341	TP-G-203
	2-1/4	012303	TP-G-204
212	2-1/4	136082	TP-GM-204
	2-7/16	012342	TP-G-207
214	2-1/2	136083	TP-GM-208
	2-11/15	@	TP-G-211
215	2-15/16	012343	TP-G-215

@ Assembled to order

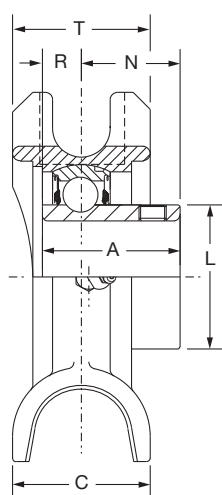
Series	Shaft size	Weight lb	Frame size	A	B	C	D	E	J	L	N	R	T
210	1-15/16	10.2	TP10	1.94	6.50	2.38	6.00	3.25	6.38	2.43	1.19	0.75	2.38
	2	10.0	TP10	1.94	6.50	2.38	6.00	3.25	6.38	2.43	1.19	0.75	2.38
211	2	12.5	TP20	2.22	7.00	2.50	6.75	3.38	7.88	2.71	1.35	0.87	2.38
	2-3/16	12.4	TP20	2.22	7.00	2.50	6.75	3.38	7.88	2.71	1.35	0.87	2.38
	2-1/4	1.02	TP20	2.22	7.00	2.50	6.75	3.38	7.88	2.71	1.35	0.87	2.38
212	2-1/4	16.0	TP30	2.31	7.50	2.75	7.00	3.50	7.44	2.97	1.41	0.90	2.75
	2-7/16	15.9	TP30	2.31	7.50	2.75	7.00	3.50	7.44	2.97	1.41	0.90	2.75
214	2-1/2	21.3	TP40	2.54	8.50	2.50	8.00	4.00	8.31	3.31	1.38	1.16	2.75
	2-11/15	21.1	TP40	2.54	8.50	2.50	8.00	4.00	8.31	3.31	1.38	1.16	2.75
215	2-15/16	21.2	TP40	2.33	8.50	2.50	8.00	4.00	8.31	3.62	1.37	0.96	2.75

Set screw mounted ball bearings

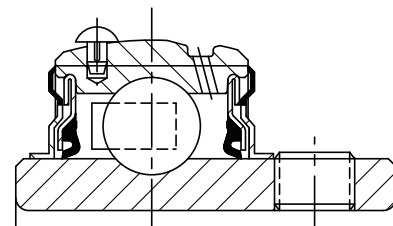
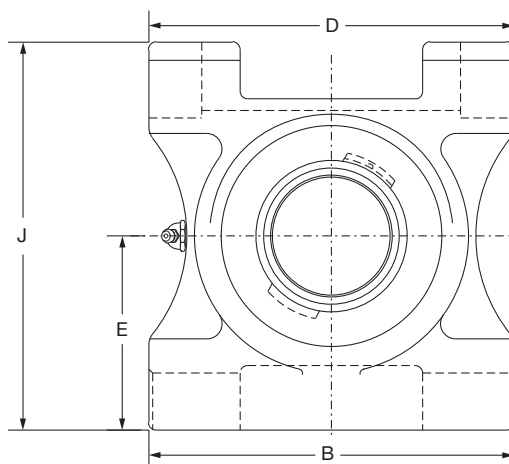
Selection/Dimensions

Set screw mounted ball bearings

Type G medium duty top angle take-up bearings



Lube Fitting Thread Size:
1/8-27 NPT



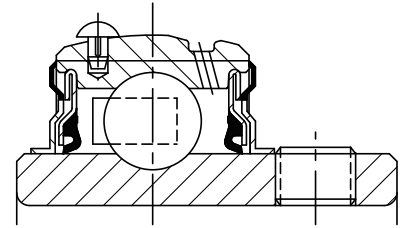
Series	Shaft size	Part no.	Description
210	1-11/16	136070	TP-GM-111
	1-3/4	136080	TP-GM-112
211	1-15/16	136071	TP-GM-115
	2	136081	TP-GM-200
212	2-3/16	136072	TP-GM-203
	2-1/4	136082	TP-GM-204
214	2-7/16	136073	TP-GM-207
	2-1/2	136083	TP-GM-208
215	2-11/16	136076	TP-GM-211
216	2-15/16	136074	TP-GM-215
	3	136084	TP-GM-300
218	3-7/16	136075	TP-GM-307
	3-1/2	136085	TP-GM-308

Series	Shaft size	Weight lb	Frame size	A	B	C	D	E	J	L	N	R	T
210	1-11/16	10.4	TP10	1.94	6.50	2.38	6.00	3.25	6.38	2.43	1.19	0.75	2.38
	1-3/4	10.0	TP10	1.94	6.50	2.38	6.00	3.25	6.38	2.43	1.19	0.75	2.38
211	1-15/16	12.8	TP20	2.22	7.00	2.50	6.75	3.38	7.88	2.71	1.35	0.87	2.38
	2	12.5	TP20	2.22	7.00	2.50	6.75	3.38	7.88	2.71	1.35	0.87	2.38
212	2-3/16	16.2	TP30	2.31	7.50	2.75	7.00	3.50	7.44	2.97	1.41	0.90	2.75
	2-1/4	16.0	TP30	2.31	7.50	2.75	7.00	3.50	7.44	2.97	1.41	0.90	2.75
214	2-7/16	21.7	TP40	2.54	8.50	2.50	8.00	4.00	8.31	3.31	1.38	1.16	2.75
	2-1/2	21.0	TP40	2.54	8.50	2.50	8.00	4.00	8.31	3.31	1.38	1.16	2.75
215	2-11/16	25.0	TP40	2.33	8.50	2.50	8.00	4.00	8.31	3.62	1.37	0.96	2.75
216	2-15/16	29.8	TP50	2.38	9.50	2.75	9.00	4.50	9.63	3.83	1.41	0.97	3.13
	3	29.5	TP50	2.38	9.50	2.75	9.00	4.50	9.63	3.83	1.41	0.97	3.13
218	3-7/16	40.2	TP60	2.56	11.00	3.13	10.50	5.50	11.00	4.35	1.54	1.02	3.13
	3-1/2	40.0	TP60	2.56	11.00	3.13	10.50	5.50	11.00	4.35	1.54	1.02	3.13

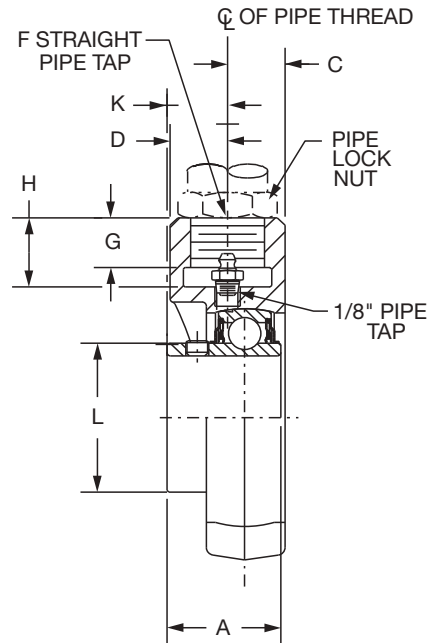
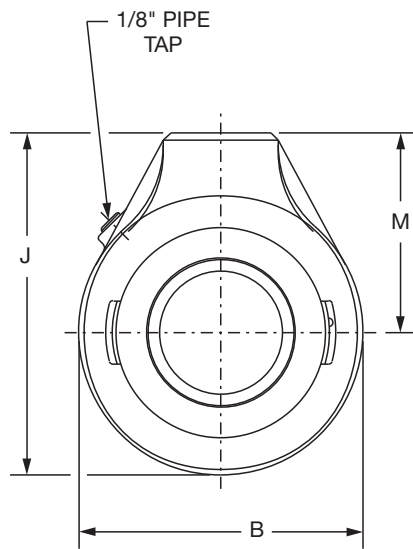
Set screw mounted ball bearings

Selection/Dimensions

Set screw mounted ball bearings
SC normal duty screw conveyor hanger bearings



Lube Fitting Thread Size:
1/8-27 NPT



Series	Shaft size	Part no.	Description
206	1	057878	SCHB-SC-100
	1-1/8	073287	SCHB-SC-102
207	1-3/16	057220	SCHB-SC-103
	1-1/4	124996	SCHB-SC-104
	1-3/8	058630	SCHB-SC-106
208	1-7/16	126049	SCHB-SC-107
	1-1/2	124290	SCHB-SC-108
	1-5/8	124404	SCHB-SC-110
210	1-11/16	124408	SCHB-SC-111
	1-3/4	124299	SCHB-SC-112
	1-15/16	124405	SCHB-SC-115
	2	124291	SCHB-SC-200
212	2-3/16	124409	SCHB-SC-203
	2-1/4	124419	SCHB-SC-204
	2-7/16	124292	SCHB-SC-207
216	2-15/16	124406	SCHB-SC-215
	3	124293	SCHB-SC-300
218	3-7/16	053320	SCHB-SC-307
	3-1/2	057361	SCHB-SC-308

@ Assembled to order

Set screw mounted ball bearings

Selection/Dimensions

Set screw mounted ball bearings
 SC normal duty screw conveyor hanger bearings

Series	Shaft size	Weight lb	A	B	C	D	F*	G	H	J	K	L	M
206	1	3.0	1.52	3.13	0.53	1.03	3/4-14	0.75	0.94	4.06	0.89	1.57	2.50
	1-1/8	3.0	1.52	3.13	0.53	1.03	3/4-14	0.75	0.94	4.06	0.89	1.57	2.50
207	1-3/16	3.5	1.71	3.88	0.82	0.82	3/4-14	0.63	0.94	4.69	0.98	1.84	2.75
	1-1/4	3.5	1.71	3.88	0.82	0.82	3/4-14	0.63	0.94	4.69	0.98	1.84	2.75
	1-3/8	3.5	1.71	3.88	0.82	0.82	3/4-14	0.63	0.94	4.69	0.98	1.84	2.75
208	1-7/16	3.4	1.94	4.00	0.83	0.83	3/4-14	0.63	0.94	4.88	1.02	2.05	2.88
	1-1/2	3.4	1.94	4.00	0.83	0.83	3/4-14	0.63	0.94	4.88	1.02	2.05	2.88
	1-5/8	3.8	1.94	4.00	0.83	0.83	3/4-14	0.63	0.94	4.88	1.02	2.05	2.88
210	1-11/16	5.4	1.94	4.63	0.94	1.78	1 - 11-1/2	0.81	1.13	5.56	0.91	2.43	3.25
	1-3/4	4.8	1.94	4.63	0.94	1.78	1 - 11-1/2	0.81	1.13	5.56	0.91	2.43	3.25
	1-15/16	4.5	1.94	4.63	0.94	1.78	1 - 11-1/2	0.81	1.13	5.56	0.91	2.43	3.25
	2	4.4	1.94	4.63	0.94	1.78	1 - 11-1/2	0.81	1.13	5.56	0.91	2.43	3.25
212	2-3/16	5.0	2.31	5.50	1.16	1.78	1-1/4 - 11-1/2	1.13	1.44	6.75	1.07	2.97	4.00
	2-1/4	5.0	2.31	5.50	1.16	1.78	1-1/4 - 11-1/2	1.13	1.44	6.75	1.07	2.97	4.00
	2-7/16	7.4	2.31	5.50	1.16	1.78	1-1/4 - 11-1/2	1.13	1.44	6.75	1.07	2.97	4.00
216	2-15/16	14.0	2.38	7.00	1.36	1.45	1-1/2 - 11-1/2	1.25	1.69	8.38	1.17	3.83	4.88
	3	14.6	2.38	7.00	1.36	1.45	1-1/2 - 11-1/2	1.25	1.69	8.38	1.17	3.83	4.88
218	3-7/16	21.2	2.56	8.31	1.76	1.74	2 - 11-1/2	1.75	2.19	10.16	1.39	4.35	6.00
	3-1/2	21.0	2.56	8.31	1.76	1.74	2 - 11-1/2	1.75	2.19	10.16	1.39	4.35	6.00

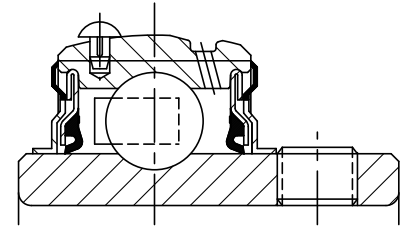
Use straight thread for the pipe. Bearing to be secured with a heavy locknut
 Pipe plug and lube fitting are factory installed and may be reversed from position shown

Note: Inserts use the ProGuard Plus (-FF) seals. 1, 1-3/16, 1-7/16, 1-11/16, 1-3/4, 2-3/16, 2-1/4
 2-15/16, 3, 3-7/16 & 3-1/2 use SCM inserts with flingers.

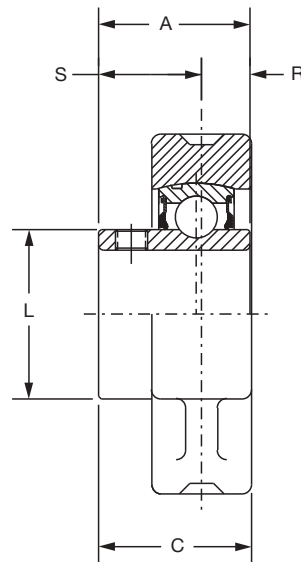
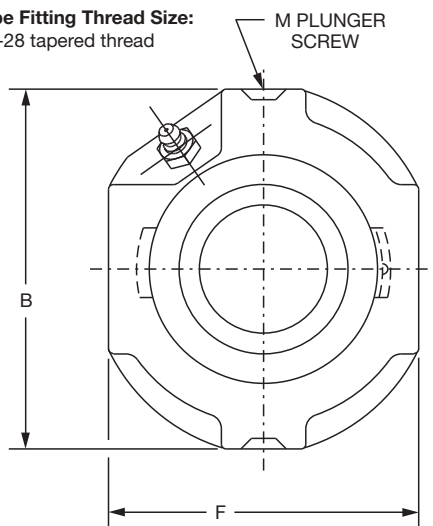
Set screw mounted ball bearings

Selection/Dimensions

Set screw mounted ball bearings
SC normal duty hanger bearings



Lube Fitting Thread Size:
1/4-28 tapered thread



Series	Shaft size	Part no.	Description
206	1-1/16	124420	HNG-SC-101
	1-1/8	124421	HNG-SC-102
	1-3/16	124240	HNG-SC-103
	1-1/4	123176	HNG-SC-104S
207	1-1/4	124422	HNG-SC-104
	1-5/16	124423	HNG-SC-105
	1-3/8	124424	HNG-SC-106
	1-7/16	124242	HNG-SC-107
210	1-15/16	124245	HNG-SC-115
	2	124393	HNG-SC-200

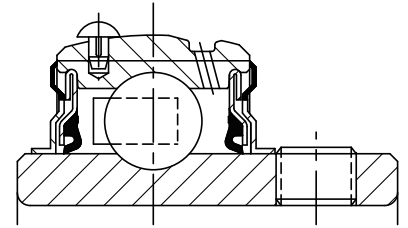
These bearings are designed for use in 4-point hanger frames.

Series	Shaft size	Weight lb	A	B	C	F	L	M	R	S
206	1-1/16	2.0	1.52	3.63	1.50	3.00	1.57	1/2	0.58	0.94
	1-1/8	1.9	1.52	3.63	1.50	3.00	1.57	1/2	0.58	0.94
	1-3/16	1.8	1.52	3.63	1.50	3.00	1.57	1/2	0.58	0.94
	1-1/4	1.7	1.52	3.63	1.50	3.00	1.57	1/2	0.58	0.94
207	1-1/4	2.8	1.71	4.25	1.68	3.50	1.84	1/2	0.67	1.04
	1-5/16	2.6	1.71	4.25	1.68	3.50	1.84	1/2	0.67	1.04
	1-3/8	2.4	1.71	4.25	1.68	3.50	1.84	1/2	0.67	1.04
	1-7/16	2.2	1.71	4.25	1.68	3.50	1.84	1/2	0.67	1.04
210	1-15/16	6.2	1.94	5.00	2.00	4.19	2.43	1/2	0.75	1.19
	2	6.0	1.94	5.00	2.00	4.19	2.43	1/2	0.75	1.19

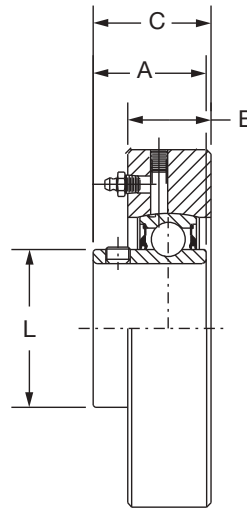
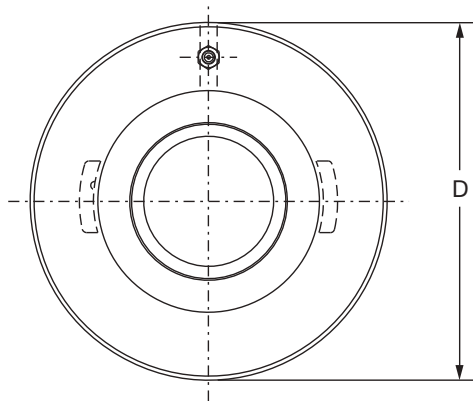
Set screw mounted ball bearings

Selection/Dimensions

Set screw mounted ball bearings
SC normal duty cylindrical units



Lube Fitting Thread Size:
1/4-28 tapered thread



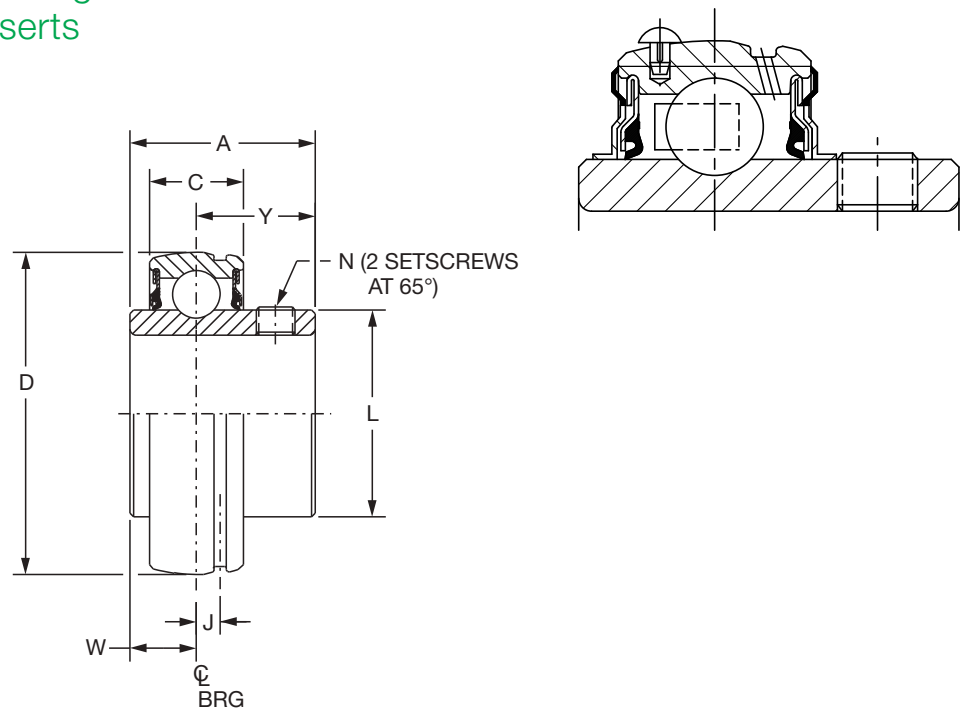
Series	Shaft size	Part no.	Description
205	7/8	124394	CYL-SC-014
	15/16	124148	CYL-SC-015
	1	124149	CYL-SC-100
206	1-1/16	124427	CYL-SC-101
	1-1/8	124428	CYL-SC-102
	1-3/16	124250	CYL-SC-103
	1-1/4	123177	CYL-SC-104S
207	1-1/4	124251	CYL-SC-104
	1-5/16	124429	CYL-SC-105
	1-3/8	124430	CYL-SC-106
	1-7/16	124253	CYL-SC-107

Series	Shaft size	Weight lb	A	B	C	D	L
205	7/8	1.4	1.34	0.84	1.19	3.125/3.123	1.32
	15/16	1.3	1.34	0.84	1.19	3.125/3.123	1.32
	1	1.2	1.34	0.84	1.19	3.125/3.123	1.32
206	1/16	2.2	1.52	0.94	1.38	3.500/3.498	1.57
	1/8	2.1	1.52	0.94	1.38	3.500/3.498	1.57
	1-3/16	2.0	1.52	0.94	1.38	3.500/3.498	1.57
	1-1/4	1.9	1.52	0.94	1.38	3.500/3.498	1.57
207	1-1/4	2.8	1.71	1.06	1.54	3.875/3.873	1.84
	1-15/16	2.7	1.71	1.06	1.54	3.875/3.873	1.84
	1-3/8	2.6	1.71	1.06	1.54	3.875/3.873	1.84
	1-7/16	2.5	1.71	1.06	1.54	3.875/3.873	1.84

Set screw mounted ball bearings

Selection/Dimensions

Set screw mounted ball bearings
SC normal duty bearing inserts



Series	Shaft size	Standard insert		High temp	
		Part no.	Description	Part no.	Description
203	1/2	123328	INS-SC-008	-----	INS-SC-008-HT
	5/8	123329	INS-SC-010	-----	INS-SC-010-HT
	17mm	125800	INS-SC-17M	-----	INS-SC-17M-HT
204	1/2	123330	INS-SC-008L	@	INS-SC-008L-HT
	5/8	123331	INS-SC-010L	@	INS-SC-010L-HT
	3/4	123332	INS-SC-012	052032	INS-SC-012-HT
	13/16	074505	INS-SC-013	@	INS-SC-013-HT
	20mm	125802	INS-SC-20M	@	INS-SC-20M-HT
205	7/8	123333	INS-SC-014	068013	INS-SC-014-HT
	15/16	123334	INS-SC-015	@	INS-SC-015-HT
	1	123335	INS-SC-100	054949	INS-SC-100-HT
206	25mm	125804	INS-SC-25M	@	INS-SC-25M-HT
	1-1/16	123336	INS-SC-101	@	INS-SC-101-HT
	1-1/8	123337	INS-SC-102	@	INS-SC-102-HT
	1-3/16	123338	INS-SC-103	067902	INS-SC-103-HT
	1-1/4	123469	INS-SC-104S	@	INS-SC-104S-HT
207	30mm	125806	INS-SC-30M	@	INS-SC-30M-HT
	1-1/4	123339	INS-SC-104	053776	INS-SC-104-HT
	1-5/16	123340	INS-SC-105	057201	INS-SC-105-HT
	1-3/8	123341	INS-SC-106	057354	INS-SC-106-HT
	1-7/16	123368	INS-SC-107	052645	INS-SC-107-HT
	35mm	125808	INS-SC-35M	@	INS-SC-35M-HT

@ Assembled to order

* 20 piece minimum

Set screw mounted ball bearings

Selection/Dimensions

Set screw mounted ball bearings

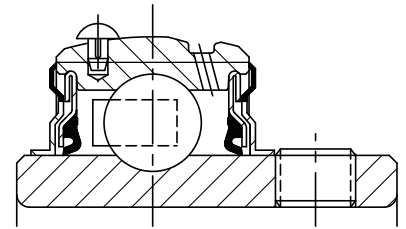
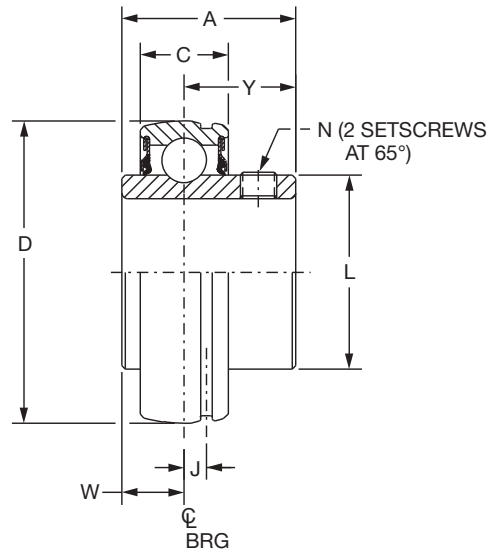
SC normal duty bearing inserts

Series	Shaft size	Weight lb kg	A	C	D	J	L	N	W	Y
203	1/2	.25	1.00	0.51	1.5748	0.15	0.96	10-32	0.36	0.64
	5/8	.23	1.00	0.51	1.5748	0.15	0.96	10-32	0.36	0.64
	17mm	.10	25.4	13.0	40.000	3.8	24.4	M5x0.8	9.1	16.3
204	1/2	.38	1.23	0.58	1.8504	0.15	1.12	1/4-28	0.50	0.73
	5/8	.35	1.23	0.58	1.8504	0.15	1.12	1/4-28	0.50	0.73
	3/4	.32	1.23	0.58	1.8504	0.15	1.12	1/4-28	0.50	0.73
	13/16	.29	1.23	0.58	1.8504	0.15	1.12	1/4-28	0.50	0.73
	20mm	.16	31.2	14.7	47.000	3.8	28.4	M6x1	12.7	18.5
205	7/8	.43	1.34	0.59	2.0472	0.16	1.32	1/4-28	0.56	0.78
	15/16	.40	1.34	0.59	2.0472	0.16	1.32	1/4-28	0.56	0.78
	1	.37	1.34	0.59	2.0472	0.16	1.32	1/4-28	0.56	0.78
	25mm	.18	34.0	15.0	52.000	4.1	33.5	M6x1	14.2	19.8
206	1-1/16	.67	1.52	0.69	2.4409	0.16	1.57	5/16-24	0.58	0.94
	1-1/8	.63	1.52	0.69	2.4409	0.16	1.57	5/16-24	0.58	0.94
	1-3/16	.60	1.52	0.69	2.4409	0.16	1.57	5/16-24	0.58	0.94
	1-1/4	.58	1.52	0.69	2.4409	0.16	1.57	5/16-24	0.58	0.94
	30mm	.27	38.6	17.5	62.000	4.1	39.9	M8x1.25	14.7	23.9
207	1-1/4	1.02	1.71	0.75	2.8346	0.20	1.84	5/16-24	0.67	1.04
	1-5/16	.97	1.71	0.75	2.8346	0.20	1.84	5/16-24	0.67	1.04
	1-3/8	.92	1.71	0.75	2.8346	0.20	1.84	5/16-24	0.67	1.04
	1-7/16	.86	1.71	0.75	2.8346	0.20	1.84	5/16-24	0.67	1.04
	35mm	.44	43.4	19.1	72.000	5.1	46.7	M8x1.25	17.0	26.4

Set screw mounted ball bearings

Selection/Dimensions

Set screw mounted ball bearings
SC normal duty bearing inserts



Series	Shaft size	Standard insert		High temp	
		Part no.	Description	Part no.	Description
208	1-1/2	123342	INS-SC-108	064149	INS-SC-108-HT
	1-5/8	123343	INS-SC-110	@	INS-SC-110-HT
	40mm	125810	INS-SC-40M	064865	INS-SC-40M-HT
209	1-5/8	045874	INS-SC-110L	@	INS-SC-110L-HT
	1-11/16	123344	INS-SC-111	053565	INS-SC-111-HT
	1-3/4	123345	INS-SC-112	@	INS-SC-112-HT
	1-13/16	054225	INS-SC-113	@	INS-SC-113-HT
210	45mm	125812	INS-SC-45M	075014	INS-SC-45M-HT
	1-15/16	123346	INS-SC-115	054019	INS-SC-115-HT
	2	123347	INS-SC-200	054431	INS-SC-200-HT
211	50mm	125814	INS-SC-50M	@	INS-SC-50M-HT
	2	123358	INS-SCM-200	058157	INS-SCM-200-HT
	2-3/16	123348	INS-SC-203	@	INS-SC-203-HT
	2-1/4	123349	INS-SC-204	@	INS-SC-204-HT
212	55mm	125816	INS-SC-55M	@	INS-SC-55M-HT
	2-1/4	123360	INS-SCM-204	073634	INS-SCM-204-HT
	2-7/16	123350	INS-SC-207	054196	INS-SC-207-HT
214	60mm	125818	INS-SC-60M	057802	INS-SC-60M-HT
	2-1/2	123362	INS-SCM-208	075714	INS-SCM-208-HT
	2-11/16	123326	INS-SC-211	@	INS-SC-211-HT
215	70mm	125820	INS-SC-70M	@	INS-SC-70M-HT
	2-15/16	123352	INS-SC-215	@	INS-SC-215-HT
218	75mm	125822	INS-SC-75M	@	INS-SC-75M-HT
	90mm	@	INS-SC-90M	@	INS-SC-90M-HT

@ Assembled to order.

Set screw mounted ball bearings

Selection/Dimensions

Set screw mounted ball bearings

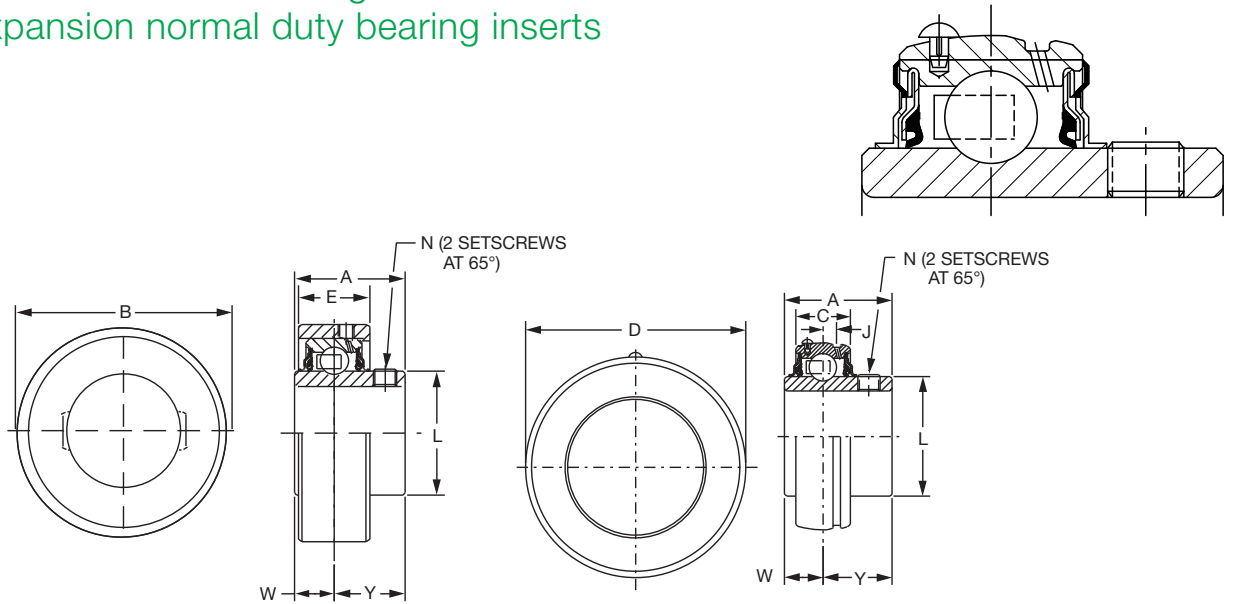
SC normal duty bearing inserts

Series	Shaft size	Weight lb kg	A	C	D	J	L	N	W	Y
208	1-1/2	1.27	1.94	0.87	3.1496	0.22	2.05	5/16-24	0.75	1.19
	1-5/8	1.13	1.94	0.87	3.1496	0.22	2.05	5/16-24	0.75	1.19
	40mm	0.51	49.3	22.1	80.000	5.6	52.1	M8x1.25	19.1	30.2
209	1-5/8	1.49	1.94	0.87	3.3465	0.25	2.22	5/16-24	0.75	1.19
	1-11/16	1.43	1.94	0.87	3.3465	0.25	2.22	5/16-24	0.75	1.19
	1-3/4	1.36	1.94	0.87	3.3465	0.25	2.22	5/16-24	0.75	1.19
	1-13/16	1.30	1.94	0.87	3.3465	0.25	2.22	5/16-24	0.75	1.19
	45mm	0.62	49.3	22.1	85.000	6.4	56.4	M8x1.25	19.1	30.2
210	1-15/16	1.48	1.94	0.87	3.5433	0.25	2.43	3/8-24	0.75	1.19
	2	1.39	1.94	0.87	3.5433	0.25	2.43	3/8-24	0.75	1.19
	50mm	0.67	49.3	22.1	90.000	6.4	61.7	M10x1.5	19.1	30.2
211	2	2.26	2.22	0.94	3.9370	0.25	2.71	3/8-24	0.87	1.35
	2-3/16	1.97	2.22	0.94	3.9370	0.25	2.71	3/8-24	0.87	1.35
	2-1/4	1.87	2.22	0.94	3.9370	0.25	2.71	3/8-24	0.87	1.35
	55mm	0.89	56.4	23.9	100.000	6.4	68.8	M10x1.5	22.1	34.3
212	2-1/4	2.85	2.31	1.02	4.3307	0.25	2.97	3/8-24	0.90	1.41
	2-7/16	2.49	2.31	1.02	4.3307	0.25	2.97	3/8-24	0.90	1.41
	60mm	1.13	58.7	25.9	110.000	6.4	75.4	M10x1.5	22.9	35.8
214	2-1/2	4.25	2.54	1.10	4.9213	0.26	3.31	3/8-24	1.06	1.48
	2-11/16	3.60	2.54	1.10	4.9213	0.26	3.31	3/8-24	1.06	1.48
	70mm	1.63	64.5	27.9	125.000	6.6	84.1	M10x1.5	26.9	37.6
215	2-15/16	3.86	2.33	1.14	5.1181	0.28	3.62	3/8-24	0.86	1.47
	75mm	1.85	59.2	29.0	130.000	7.1	91.9	M10x1.5	21.8	37.3
218	90mm	3.30	65.0	34.0	160.000	7.6	110.5	M10x1.5	24.4	40.6

Set screw mounted ball bearings

Selection/Dimensions

Set screw mounted ball bearings
SCH-E expansion normal duty bearing inserts



Series	Shaft size	Expansion	
		Part no.	Description
205	1	@	INS-SCH-100-E
	25mm	@	INS-SCH-25M-E
206	1	@	INS-SCMH-100-E
	1-1/16	@	INS-SCH-101-E
	1-1/8	@	INS-SCH-102-E
	1-3/16	126495	INS-SCH-103-E
	1-1/4	@	INS-SCH-104S-E
	30mm	049925	INS-SCH-30M-E
207	1-1/4	@	INS-SCH-104-E
	1-5/16	@	INS-SCH-105-E
	1-3/8	@	INS-SCH-106-E
	1-7/16	126496	INS-SCH-107-E
	35mm	@	INS-SCH-35M-E
209	1-1/2	@	INS-SCMH-108-E
	1-5/8	@	INS-SCH-110-E
	1-11/16	068478	INS-SCH-111-E
	1-3/4	@	INS-SCH-112-E
	45mm	@	INS-SCH-45M-E
210	1-11/16	@	INS-SCMH-111-E
	1-3/4	@	INS-SCMH-112-E
	1-15/16	126497	INS-SCH-115-E
	2	@	INS-SCH-200-E
	50mm	@	INS-SCH-50M-E
211	1-15/16	@	INS-SCMH-115-E
	2	@	INS-SCMH-200-E
	2-3/16	126498	INS-SCH-203-E
	2-1/4	@	INS-SCH-204-E
	55mm	@	INS-SCH-55M-E
212	2-3/16	@	INS-SCMH-203-E
	2-1/4	@	INS-SCMH-204-E
	2-7/16	126499	INS-SCH-207-E
	60mm	@	INS-SCH-60M-E

@Assembled to order

Set screw mounted ball bearings

Selection/Dimensions

Set screw mounted ball bearings

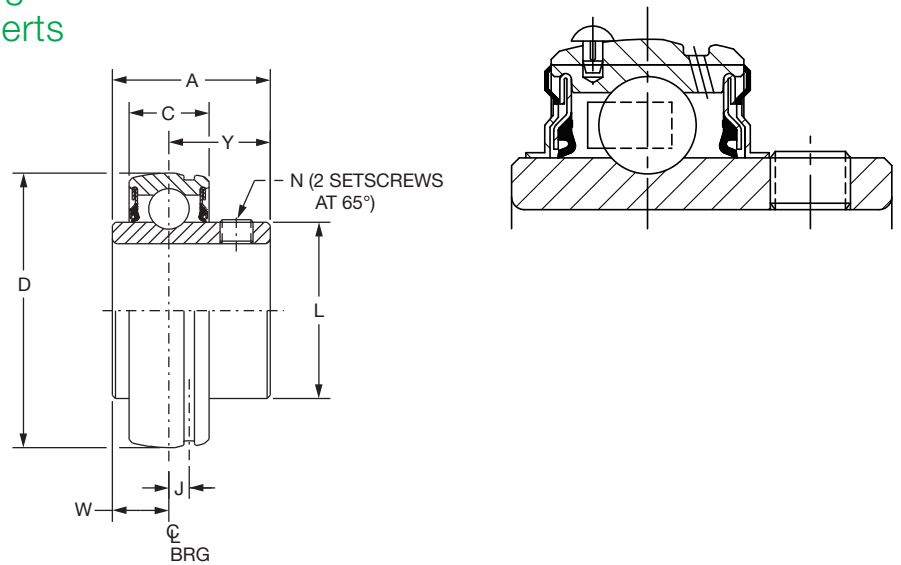
SCH-E expansion normal duty bearing inserts

Series	Shaft size	Weight - expansion		Weight - non-exp		A	B	C	D	E	J	L	N	W	Y
		lb	kg	lb	kg										
205	1	0.69	0.37	1.34	2.500	.059	2.0472	0.77	0.16	1.32	1/4-28	0.56	0.78		
	25mm	0.31	0.17	34.0	63.50	15.0	52.000	19.6	4.1	33.5	M6x1	14.2	19.8		
206	1	1.29	0.69	1.52	2.875	0.69	2.4409	0.94	0.16	1.57	5/16-24	0.58	0.94		
	1-1/16	1.26	0.66	1.52	2.875	0.69	2.4409	0.94	0.16	1.57	5/16-24	0.58	0.94		
	1-1/8	1.23	0.63	1.52	2.875	0.69	2.4409	0.94	0.16	1.57	5/16-24	0.58	0.94		
	1-3/16	1.20	0.60	1.52	2.875	0.69	2.4409	0.94	0.16	1.57	5/16-24	0.58	0.94		
	1-1/4	1.18	0.58	1.52	2.875	0.69	2.4409	0.94	0.16	1.57	5/16-24	0.58	0.94		
	30mm	0.54	0.26	38.6	73.03	17.5	62.000	23.9	4.1	39.9	M8x1.25	14.7	23.9		
207	1-1/4	1.50	1.02	1.71	3.272	0.75	2.8346	1.00	0.20	1.84	5/16-24	0.67	1.04		
	1-5/16	1.49	0.97	1.71	3.272	0.75	2.8346	1.00	0.20	1.84	5/16-24	0.67	1.04		
	1-3/8	1.48	0.92	1.71	3.272	0.75	2.8346	1.00	0.20	1.84	5/16-24	0.67	1.04		
	1-7/16	1.47	0.86	1.71	3.272	0.75	2.8346	1.00	0.20	1.84	5/16-24	0.67	1.04		
	35mm	0.67	0.44	43.4	83.11	19.1	72.000	25.4	5.1	46.7	M8x1.25	17.0	26.4		
209	1-1/2	2.51	1.62	1.94	3.813	0.87	3.3465	1.20	0.25	2.22	5/16-24	0.75	1.19		
	1-5/8	2.48	1.49	1.94	3.813	0.87	3.3465	1.20	0.25	2.22	5/16-24	0.75	1.19		
	1-11/16	2.45	1.43	1.94	3.813	0.87	3.3465	1.20	0.25	2.22	5/16-24	0.75	1.19		
	1-3/4	2.43	1.36	1.94	3.813	0.87	3.3465	1.20	0.25	2.22	5/16-24	0.75	1.19		
	45mm	1.10	1.30	49.3	96.85	22.1	85.000	30.5	6.4	56.4	M8x1.25	19.1	30.2		
210	1-11/16	2.56	1.82	1.94	4.000	0.87	3.5433	1.36	0.25	2.43	3/8-24	0.75	1.19		
	1-3/4	2.53	1.74	1.94	4.000	0.87	3.5433	1.36	0.25	2.43	3/8-24	0.75	1.19		
	1-15/16	2.50	1.48	1.94	4.000	0.87	3.5433	1.36	0.25	2.43	3/8-24	0.75	1.19		
	2	2.48	1.39	1.94	4.000	0.87	3.5433	1.36	0.25	2.43	3/8-24	0.75	1.19		
	50mm	1.13	0.67	49.3	101.60	22.1	90.000	34.5	6.4	61.7	M10x1.5	19.1	30.2		
211	1-15/16	3.46	2.36	2.22	4.475	0.94	3.9370	1.38	0.25	2.71	3/8-24	0.87	1.35		
	2	3.43	2.26	2.22	4.475	0.94	3.9370	1.38	0.25	2.71	3/8-24	0.87	1.35		
	2-3/16	3.40	1.97	2.22	4.475	0.94	3.9370	1.38	0.25	2.71	3/8-24	0.87	1.35		
	2-1/4	3.38	1.87	2.22	4.475	0.94	3.9370	1.38	0.25	2.71	3/8-24	0.87	1.35		
	55mm	1.53	0.89	56.4	113.67	23.9	100.000	35.1	6.4	68.8	M10x1.5	22.1	34.3		
212	2-3/16	4.56	2.97	2.31	5.035	1.02	4.3307	1.55	0.25	2.97	3/8-24	0.90	1.41		
	2-1/4	4.53	2.85	2.31	5.035	1.02	4.3307	1.55	0.25	2.97	3/8-24	0.90	1.41		
	2-7/16	4.50	2.49	2.31	5.035	1.02	4.3307	1.55	0.25	2.97	3/8-24	0.90	1.41		
	60mm	2.04	1.13	58.7	127.89	25.9	110.000	39.4	6.4	75.4	M10x1.5	22.9	35.8		

Set screw mounted ball bearings

Selection/Dimensions

Set screw mounted ball bearings SCM medium duty bearing inserts



Series	Shaft size	Standard insert		High temp	
		Part no.	Description	Part no.	Description
206	1	123419	INS-SCM-100	@	INS-SCM-100-HT
	25mm	125825	INS-SCM-25M	@	INS-SCM-25M-HT
207	1-3/16	123420	INS-SCM-103	@	INS-SCM-103-HT
	1-1/4	123339	INS-SC-104	053776	INS-SC-104-HT
208	30mm	125826	INS-SCM-30M	@	INS-SCM-30M-HT
	1-7/16	123353	INS-SCM-107	049945	INS-SCM-107-HT
	1-1/2#	123342	INS-SC-108	064149	INS-SC-108-HT
209	35mm	125828	INS-SCM-35M	@	INS-SCM-35M-HT
	1-1/2	123354	INS-SCM-108	068889	INS-SCM-108-HT
	1-5/8	045874	INS-SC-110L	@	INS-SC-110L-HT
210	40mm	125830	INS-SCM-40M	@	INS-SCM-40M-HT
	1-11/16	123355	INS-SCM-111	@	INS-SCM-111-HT
	1-3/4	123356	INS-SCM-112	@	INS-SCM-112-HT
211	45mm	125832	INS-SCM-45M	@	INS-SCM-45M-HT
	1-15/16	123357	INS-SCM-115	068404	INS-SCM-115-HT
	2	123358	INS-SCM-200	058157	INS-SCM-200-HT
212	50mm	125834	INS-SCM-50M	@	INS-SCM-50M-HT
	2-3/16	123359	INS-SCM-203	@	INS-SCM-203-HT
	2-1/4	123360	INS-SCM-204	073634	INS-SCM-204-HT
214	55mm	125836	INS-SCM-55M	@	INS-SCM-55M-HT
	2-7/16	123361	INS-SCM-207	056912	INS-SCM-207-HT
	2-1/2	123362	INS-SCM-208	075714	INS-SCM-208-HT
215	60mm	125838	INS-SCM-65M	@	INS-SCM-65M-HT
	2-11/16	123363	INS-SCM-211	@	INS-SCM-211-HT
	70mm	125840	INS-SCM-70M	@	INS-SCM-70M-HT
216	2-15/16	123364	INS-SCM-215	049918	INS-SCM-215-HT
	3	123365	INS-SCM-300	@	INS-SCM-300-HT
218	75mm	125842	INS-SCM-75M	@	INS-SCM-75M-HT
	3-7/16	123366	INS-SCM-307	@	INS-SCM-307-HT
	3-1/2	123367	INS-SCM-308	@	INS-SCM-308-HT
	85mm	125844	INS-SCM-85M	062570	INS-SCM-85M-HT

@ Assembled to order

SCM Piloted Flange Only

Set screw mounted ball bearings

Selection/Dimensions

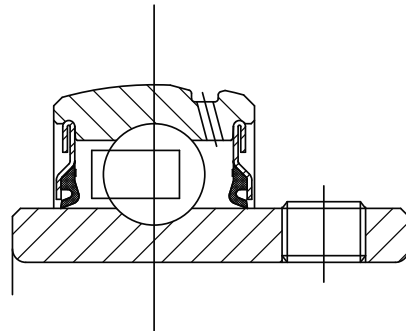
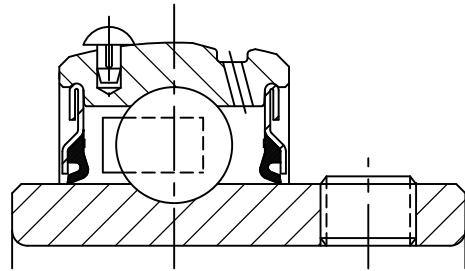
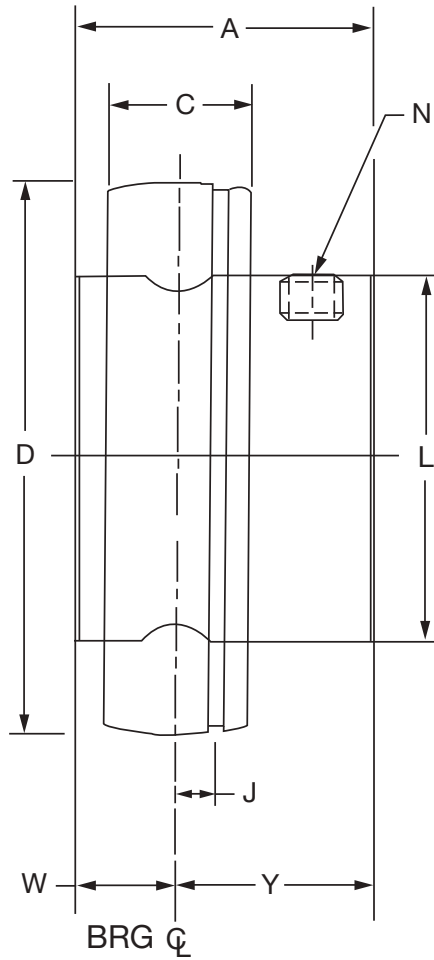
Set screw mounted ball bearings
SCM medium duty bearing inserts

Series	Shaft size	Weight lb kg	A	C	D	J	L	N	W	Y
206	1	0.71	1.52	0.69	2.4409	0.16	1.57	5/16-24	0.58	0.94
	25mm	0.32	38.6	17.5	62.000	4.1	39.9	M8x1.25	14.7	23.9
207	1-3/16	1.07	1.71	0.75	2.8346	0.20	1.84	5/16-24	0.67	1.04
	1-1/4	1.02	1.71	0.75	2.8346	0.20	1.84	5/16-24	0.67	1.04
	30mm	0.53	43.4	19.1	72.000	5.1	46.7	M8x1.25	17.0	26.4
208	1-7/16	1.32	1.94	0.87	3.1496	0.22	2.05	5/16-24	0.75	1.19
	1-1/2#	1.27	1.94	0.87	3.1496	0.22	2.05	5/16-24	0.75	1.19
	35mm	0.60	49.3	22.1	80.000	5.6	52.1	M8x1.25	19.1	30.2
209	1-1/2	1.62	1.94	0.87	3.3465	0.25	2.22	5/16-24	0.75	1.19
	1-5/8	1.49	1.94	0.87	3.3465	0.25	2.22	5/16-24	0.75	1.19
	40mm	0.71	49.3	22.1	85.000	6.4	56.4	M8x1.25	19.1	30.2
210	1-11/16	1.82	1.94	0.87	3.5433	0.25	2.43	3/8-24	0.75	1.19
	1-3/4	1.74	1.94	0.87	3.5433	0.25	2.43	3/8-24	0.75	1.19
	45mm	0.76	49.3	22.1	90.000	6.4	61.7	M10x1.5	19.1	30.2
211	1-15/16	2.36	2.22	0.94	3.9370	0.25	2.71	3/8-24	0.87	1.35
	2	2.26	2.22	0.94	3.9370	0.25	2.71	3/8-24	0.87	1.35
	50mm	1.03	56.4	23.9	100.000	6.4	68.8	M10x1.5	22.1	34.3
212	2-3/16	2.97	2.31	1.02	4.3307	0.25	2.97	3/8-24	0.90	1.41
	2-1/4	2.85	2.31	1.02	4.3307	0.25	2.97	3/8-24	0.90	1.41
	55mm	1.27	58.7	25.9	110.000	6.4	75.4	M10x1.5	22.9	35.8
214	2-7/16	4.39	2.54	1.10	4.9213	0.26	3.31	3/8-24	1.06	1.48
	2-1/2	4.25	2.54	1.10	4.9213	0.26	3.31	3/8-24	1.06	1.48
	60mm	1.86	64.5	27.9	125.000	6.6	84.1	M10x1.5	26.9	37.6
215	2-11/16	4.49	2.33	1.14	5.1181	0.28	3.62	3/8-24	0.86	1.47
	70mm	1.98	59.2	29.0	130.000	7.1	91.9	M10x1.5	21.8	37.3
216	2-15/16	5.54	2.38	1.18	5.5118	0.29	3.83	3/8-24	0.88	1.50
	3	5.52	2.38	1.18	5.5118	0.29	3.83	3/8-24	0.88	1.50
	75mm	2.51	60.5	30.0	140.000	7.4	97.3	M10x1.5	22.4	38.1
218	3-7/16	7.35	2.56	1.34	6.2992	0.30	4.35	3/8-24	0.96	1.60
	3-1/2	7.33	2.56	1.34	6.2992	0.30	4.35	3/8-24	0.96	1.60
	85mm	3.33	65.0	34.0	160.000	7.6	110.5	M10x1.5	24.4	40.6

Set screw mounted ball bearings

Selection/Dimensions

Set screw mounted ball bearings
LF/LFT/SL bearing inserts



Set screw mounted ball bearings

Selection/Dimensions

Set screw mounted ball bearings

LF/LFT/SL bearing inserts

Series	Shaft size	With pin		Without pin	
		Part no.	Description	Part no.	Description
203	1/2	123328	INS-SC-008	389923	INS-VSC-008
	5/8	123329	INS-SC-010	389924	INS-VSC-010
	17mm	125800	INS-SC-17M	125636	INS-VSC-17M
204	3/4	077976	INS-SCP-012	077940	INS-VSC-012
	20mm	077993	INS-SCP-20M	077957	INS-VSC-20M
205	7/8	077977	INS-SCP-014	077941	INS-VSC-014
	15/16	077978	INS-SCP-015	077942	INS-VSC-015
	1	077979	INS-SCP-100	077943	INS-VSC-100
	25mm	077993	INS-SCP-25M	077958	INS-VSC-25M
206	1-1/16	077980	INS-SCP-101	077944	INS-VSC-101
	1-1/8	077981	INS-SCP-102	077945	INS-VSC-102
	1-3/16	077982	INS-SCP-103	077946	INS-VSC-103
	1-1/4	077983	INS-SCP-104S	077947	INS-VSC-104S
	30mm	077995	INS-SCP-30M	077959	INS-VSC-30M
207	1-1/4	077984	INS-SCP-104	077948	INS-VSC-104
	1-5/16	077921	INS-SCP-105	077923	INS-VSC-105
	1-3/8	077985	INS-SCP-106	077949	INS-VSC-106
	1-7/16	077986	INS-SCP-107	077950	INS-VSC-107
	35mm	077996	INS-SCP-35M	077960	INS-VSC-35M

Series	Shaft size	Weight lb kg	A	C	D	J	L	N	W	Y	Capacity, lb	
											Static	Dynamic
203	1/2	0.23	1.00	0.51	1.5748	0.15	0.96	10-32	0.36	0.64	1079	2158
	5/8	0.21	1.00	0.51	1.5748	0.15	0.96	10-32	0.36	0.64	1079	2158
	17mm	0.10	25.4	13.0	40.000	3.80	24.4	M5x0.8	9.10	16.3	1079	2158
204	3/4	0.25	1.02	0.58	1.8504	0.15	1.12	1/4-28	0.29	0.73	1482	2899
	20mm	0.11	25.9	14.7	47.000	3.80	28.4	M6x1	7.40	18.5	1482	2899
205	7/8	0.41	1.06	0.59	2.0472	0.16	1.32	1/4-28	0.30	0.76	1769	3146
	15/16	0.38	1.06	0.59	2.0472	0.16	1.32	1/4-28	0.30	0.76	1769	3146
	1	0.25	1.06	0.59	2.0472	0.16	1.32	1/4-28	0.30	0.76	1769	3146
	25mm	0.17	26.9	15.0	52.000	4.10	33.5	M6x1	7.60	19.3	1769	3146
206	1-1/16	0.64	1.26	0.69	2.4409	0.16	1.57	5/16-24	0.35	0.91	2538	4368
	1-1/8	0.61	1.26	0.69	2.4409	0.16	1.57	5/16-24	0.35	0.91	2538	4368
	1-3/16	0.58	1.26	0.69	2.4409	0.16	1.57	5/16-24	0.35	0.91	2538	4368
	1-1/4	0.56	1.26	0.69	2.4409	0.16	1.57	5/16-24	0.35	0.91	2538	4368
	30mm	0.25	32.0	17.5	62.000	4.10	39.9	M8x1.25	8.90	23.1	2538	4368
207	1-1/4	0.92	1.40	0.75	2.8346	0.20	1.84	5/16-24	0.37	1.03	3461	5759
	1-5/16	0.90	1.40	0.75	2.8346	0.20	1.84	5/16-24	0.37	1.03	3461	5759
	1-3/8	0.88	1.40	0.75	2.8346	0.20	1.84	5/16-24	0.37	1.03	3461	5759
	1-7/16	0.75	1.40	0.75	2.8346	0.20	1.84	5/16-24	0.37	1.03	3461	5759
	35mm	0.38	35.6	19.1	72.000	5.10	46.7	M8x1.25	9.40	26.2	3461	5759

Set screw mounted ball bearings

Accessories

Set screw mounted ball bearings

Lubricants

Dodge ball bearings are factory lubricated with a lithium complex base lubricant. For applications where extreme ambient temperatures or speeds are anticipated or environmental considerations require a different lubricant, Dodge has a wide variety of lubricants available. Special lubricant options usually require set-up charges and premiums.

Seals

The PROGUARD PLUS seal is a highly effective positive contact, land riding seal with flingers pressed on to each side of the inner ring offering added protection from wash down or extreme contamination. For high speeds or where seal drag would be an impediment, an all metallic labyrinth seal is available.

High temperature

Dodge high temperature bearings are designed to operate in temperatures from 225°F (108°C) to 400°F (205°C). The bearings have adjusted internal clearances, metallic labyrinth seals, high temperature retainers, heat stabilized outer rings, and lubricants to meet the temperature needs of the application. To insure proper replacement, the bearing is identified by a six digit part number etched on a stainless steel nameplate riveted to the housing. The part number identifies the specific feature of the bearing. High temperature bearings are factory assembled to order and are available at extra cost. Consult Dodge Engineering for application assistance at (864)284-5700 or fax (864) 281-2317.

Housing material

For extra corrosion resistance, a variety of housing finishes are available. Special materials include stainless steel or polymer housing, as an option. These coatings conform to U.S.D.A. and F.D.A. requirements. SC and SCM inserts can be supplied with a corrosion resistant coating on the inner and outer rings, stainless steel balls and set-screws, and nickel plated flingers as well as F.D.A. lubricant.

Other modifications

For applications requiring modifications not listed, we encourage you to contact our Customer Order Engineering Department at (864)284-5700 or fax (864)281-2317.

Set screw mounted ball bearings

Related products

Set screw mounted ball bearings high temperature SC & SCM

Series	Shaft size	Pillow blocks		2 bolt flanges		4 bolt flanges	
		Part no.	Description	Part no.	Description	Part no.	Description
204	1/2	@	P2B-SC-008L-HT	054843	F2B-SC-008L-HT	@	F4B-SC-008L-HT
	5/8	@	P2B-SC-010L-HT	057474	F2B-SC-010L-HT	067710	F4B-SC-010L-HT
	3/4	053670	P2B-SC-012-HT	052618	F2B-SC-012-HT	058263	F4B-SC-012-HT
	20mm	@	P2B-SC-20M-HT	074828	F2B-SC-20M-HT	@	F4B-SC-20M-HT
205	7/8	@	P2B-SC-014-HT	051906	F2B-SC-014-HT	@	F4B-SC-014-HT
	15/16	068088	P2B-SC-015-HT	056864	F2B-SC-015-HT	054190	F4B-SC-015-HT
	1	051513	P2B-SC-100-HT	052294	F2B-SC-100-HT	052015	F4B-SC-100-HT
	25mm	@	P2B-SC-25M-HT	059821	F2B-SC-25M-HT	@	F4B-SC-25M-HT
206	1	054782	P2B-SCM-100-HT	064880	F2B-SCM-100-HT	074530	F4B-SCM-100-HT
	1-1/8	@	P2B-SC-102-HT	062877	F2B-SC-102-HT	068290	F4B-SC-102-HT
	1-3/16	053169	P2B-SC-103-HT	052604	F2B-SC-103-HT	054419	F4B-SC-103-HT
	1-1/4	062829	P2B-SC-104S-HT	@	F2B-SC-104S-HT	049462	F4B-SC-104S-HT
	30mm	@	P2B-SC-30M-HT	@	F2B-SC-30M-HT	054534	F4B-SC-30M-HT
206 (SCU)	1-1/8	@	P2B-SCU-102-HT	-----	-----	-----	-----
	1-3/16	059737	P2B-SCU-103-HT	-----	-----	-----	-----
	1-1/4	057847	P2B-SCU-104S-HT	-----	-----	-----	-----
	30mm	@	P2B-SCU-30M-HT	-----	-----	-----	-----
207	1-3/16	054314	P2B-SCM-103-HT	@	F2B-SCM-103-HT	074223	F4B-SCM-103-HT
	30mm	@	P2B-SCM-30M-HT	059673	F2B-SCM-30M-HT	@	F4B-SCM-30M-HT
	1-1/4	058262	P2B-SC-104-HT	052311	F2B-SC-104-HT	051826	F4B-SC-104-HT
	1-3/8	@	P2B-SC-106-HT	@	F2B-SC-106-HT	068185	F4B-SC-106-HT
	1-7/16	050189	P2B-SC-107-HT	054300	F2B-SC-107-HT	052540	F4B-SC-107-HT
	1-7/16	052531	P2B-SCB-107-HT	-----	-----	-----	-----
	35mm	@	P2B-SC-35M-HT	@	F2B-SC-35M-HT	s	F4B-SC-35M-HT
208	1-7/16	054276	P2B-SCM-107-HT	@	F2B-SCM-107-HT	054342	F4B-SCM-107-HT
	1-1/2	057338	P2B-SC-108-HT	054203	F2B-SC-108-HT	051827	F4B-SC-108-HT
	1-5/8	@	P2B-SC-110-HT	@	F2B-SC-110-HT	058194	F4B-SC-110-HT
	40mm	062572	P2B-SC-40M-HT	@	F2B-SC-40M-HT	@	F4B-SC-40M-HT

@ Assembled to order.

Set screw mounted ball bearings

Related products

Set screw mounted ball bearings high temperature SC & SCM

Series	Shaft size	Pillow blocks		2 bolt flanges		4 bolt flanges	
		Part no.	Description	Part no.	Description	Part no.	Description
209	1-1/2	058380	P2B-SCM-108-HT	054203	F2B-SCM-108-HT	064557	F4B-SCM-108-HT
	1-5/8	@	P2B-SC-110L-HT	@	F2B-SC-110L-HT	@	F4B-SC-110L-HT
	1-11/16	053563	P2B-SC-111-HT	@	F2B-SC-111-HT	057212	F4B-SC-111-HT
	1-11/16	058619	P2B-SCB-111-HT	-----	-----	-----	-----
	1-3/4	062676	P2B-SC-112-HT	062157	F2B-SC-112-HT	051825	F4B-SC-112-HT
	45mm	@	P2B-SC-45M-HT	@	F2B-SC-45M-HT	@	F4B-SC-45M-HT
210	1-11/16	054315	P2B-SCM-111-HT	@	F2B-SCM-111-HT	054593	F4B-SCM-111-HT
	1-3/4	@	P2B-SCM-112-HT	057114	F2B-SCM-112-HT	057368	F4B-SCM-112-HT
	1-15/16	052047	P2B-SC-115-HT	073280	F2B-SC-115-HT	052048	F4B-SC-115-HT
	1-15/16	052532	P2B-SCB-115-HT	-----	-----	-----	-----
	2	058183	P2B-SC-200-HT	062309	F2B-SC-200-HT	057132	F4B-SC-200-HT
	50mm	@	P2B-SC-50M-HT	062779	F2B-SC-50M-HT	068066	F4B-SC-50M-HT
211	1-15/16	052276	P2B-SCM-115-HT	@	F2B-SCM-115-HT	057363	F4B-SCM-115-HT
	2	054934	P2B-SCM-200-HT	@	F2B-SCM-200-HT	054065	F4B-SCM-200-HT
	2-3/16	053955	P2B-SC-203-HT	059954	F2B-SC-203-HT	058852	F4B-SC-203-HT
	2-1/4	073065	P2B-SC-204-HT	@	F2B-SC-204-HT	054918	F4B-SC-204-HT
	55mm	@	P2B-SC-55M-HT	076558	F2B-SC-55M-HT	049894	F4B-SC-55M-HT
212	2-3/16	054412	P2B-SCM-203-HT	@	F2B-SCM-203-HT	073772	F4B-SCM-203-HT
	2-1/4	068266	P2B-SCM-204-HT	@	F2B-SCM-204-HT	067830	F4B-SCM-204-HT
	2-7/16	059614	P2B-SC-207-HT	@	F2B-SC-207-HT	057487	F4B-SC-207-HT
	60mm	057800	P2B-SC-60M-HT	057800	F2B-SC-60M-HT	057801	F4B-SC-60M-HT
214	2-7/16	054316	P2B-SCM-207-HT	-----	-----	054917	F4B-SCM-207-HT
	2-1/2	073006	P2B-SCM-208-HT	-----	-----	056630	F4B-SCM-208-HT
	2-11/16	067774	P2B-SC-211-HT	-----	-----	065700	F4B-SC-211-HT
	70mm	@	P2B-SC-70M-HT	-----	-----	@	F4B-SC-70M-HT
215	2-15/16	056588	P2B-SC-215-HT	-----	-----	052550	F4B-SC-215-HT
	75mm	@	P2B-SC-75M-HT	-----	-----	074237	F4B-SC-75M-HT
216	2-15/16	054556	P2B-SCM-215-HT	-----	-----	052478	F4B-SCM-215-HT
	3	@	P2B-SCM-300-HT	-----	-----	059696	F4B-SCM-300-HT
	75mm	@	P2B-SCM-75M-HT	-----	-----	062182	F4B-SCM-75M-HT
218	3-7/16	049991	P2B-SCM-307-HT	-----	-----	057708	F4B-SCM-307-HT
	3-1/2	@	P2B-SCM-308-HT	-----	-----	058633	F4B-SCM-308-HT

@ Assembled to order.

Set screw mounted ball bearings

Related products

Set screw mounted ball bearings high temperature SC & SCM

Series	Shaft size	Tapped base pillow blocks		Flanged bracket	
		Part number	Description	Part number	Description
204	3/4	059636	TB-SC-012-HT	@	FB-SC-012-HT
205	1	057906	TB-SC-100-HT	@	FB-SC-100-HT
207	1-1/4	@	TB-SC-104-HT	056578	FB-SC-104-HT
211	2-3/16	050555	TB-SC-203-HT		

Series	Shaft size	Non expansion pillow blocks		Expansion pillow blocks	
		Part number	Description	Part number	Description
206	1-3/16	-----	-----	054063	P2B-SCH-103-EHT
207	1-7/16	053894	P2B-SCH-107-HT	053895	P2B-SCH-107-EHT

Series	Shaft size	Piloted flanges	
		Part number	Description
206	1	058652	FC-SCM-100-HT
208	1-1/2	053871	FC-SC-108-HT
	1-1/2	057683	FC-SCM-108-HT
211	1-15/16	058915	FC-SCM-115-HT
	2-1/4	058233	FC-SC-204-HT
212	2-7/16	058738	FC-SC-207-HT
	55mm	054837	FC-SCM-55M-HT
216	2-15/16	054831	FC-SCM-215-HT
	3	056911	FC-SCM-300-HT
218	3-7/16	068239	FC-SCM-307-HT

Series	Shaft size	Wide slot take-up		Narrow slot take-up	
		Part number	Description	Part number	Description
210	1-15/16	057265	WSTU-SC-115-HT	054580	NSTU-SC-115-HT
211	55mm	049893	WSTU-SC-55M-HT	@	NSTU-SC-55M-HT
	1-15/16	049891	WSTU-SCM-115-HT	@	NSTU-SCM-115-HT
212	2-7/16	057839	WSTU-SC-207-HT	064237	NSTU-SC-207-HT
214	2-7/16	049811	WSTU-SCM-207-HT	@	-----
215	2-15/16	059844	WSTU-SC-215-HT	@	-----

@ Assembl to order.

Set screw mounted ball bearings

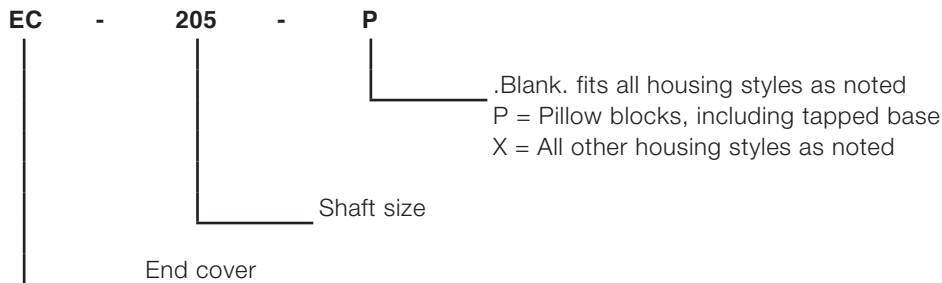
Related products

Dodge mounted ball bearing end covers*



- Fits all styles of Dodge cast iron housed ball bearings: Pillow blocks, 2 and 4 Bolt Flanges, and Take-Up bearings
- Injected molded, impact resistant, OSHA safety yellow end covers meet requirements for exposed rotating shaft
- Stainless steel C washer for gripping power
- No modification or machining of existing housings required
- Concentric knockout grooves on inside of end cover for thru-shaft
- Dodge six digit part number and description embossed inside
- Operating temperature to 250° F
- For non relubricable/sealed for life applications (-NL), part number **430020** hex head plug is available

Nomenclature



Series	Pillow blocks std, U, B	Tapped base PB	2 bolt flange	flanged bracket	4 bolt flange	Piloted flange (FC)	Narrow slot take-up	Wide slot take-up
203	X		X		X			
204	X	X	X	X	X		X	X
205	X	X	X	X	X		X	X
206	X	X	X	X	X	@	X	X
207	X	X	X	X	X	@	X	X
208	X	X	X		X	@	X	X
209	X	X	X		X	@	X	X
210	X	X	X	X	X	@	X	X
211	X	X	X		X	NA	X	X
212	X		X		X	NA	X	X
214	X				X	NA		X
215	X				X			X
216	X				X	X		X
218	X				X	X		

* = Will not fit LF, LFT, SCHB, HNGB & CYL

@ = Some modification required

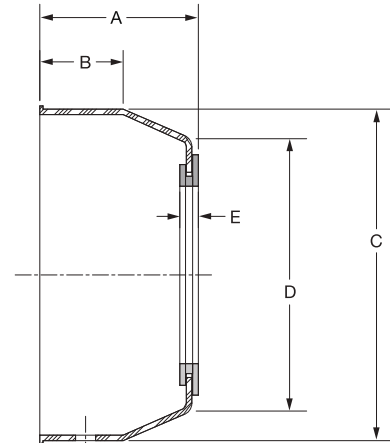
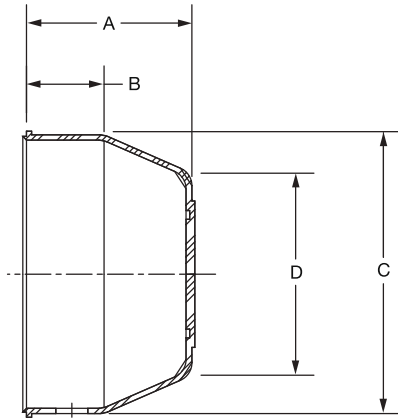
NA = Will not fit

X = Will fit

Set screw mounted ball bearings

Related products

Snap-on end covers



Series	Closed end covers	
	Part number	Description
204	128280	EC-204-Y
	128280	EC-204-Y
205	128281	EC-205-Y
	128281	EC-205-Y
206	128282	EC-206-Y
	128282	EC-206-Y
	128282	EC-206-Y
207	128283	EC-207-Y
	128283	EC-207-Y
	128283	EC-207-Y
208	128284	EC-208-Y
	128284	EC-208-Y
209	128285	EC-209-Y
	128285	EC-209-Y
210	128286	EC-210-Y
	128286	EC-210-Y
211	128277	EC-211-Y
	128277	EC-211-Y
	128277	EC-211-Y
	128277	EC-211-Y
	128277	EC-211-Y
212	128278	EC-212-Y
	128278	EC-212-Y
	128278	EC-212-Y
	128278	EC-212-Y
	128278	EC-212-Y
214	128220	EC-214
	128220	EC-214
	128220	EC-214
	128220	EC-214
	128220	EC-214
215	128221	EC-215
	128221	EC-215
	128221	EC-215
	128221	EC-215
216	128222	EC-216
	128222	EC-216
	128222	EC-216
218	128223	EC-218
	128223	EC-218
	128223	EC-218
	128223	EC-218

Open end covers		
Shaft size	Part number	Description
3/4	128350	ECO-012-Y
20mm	128363	ECO-20M-Y
1	128351	ECO-100-Y
25mm	128364	ECO-25M-Y
1-3/16	128352	ECO-103-Y
1-1/4	128353	ECO-104S-Y
30mm	128365	ECO-30M-Y
1-1/4	128355	ECO-104-Y
1-7/16	128354	ECO-107-Y
35mm	128366	ECO-35M-Y
1-1/2	128356	ECO-108-Y
40mm	128367	ECO-40M-Y
1-11/16	128357	ECO-111-Y
45mm	128368	ECO-45M-Y
1-15/16	128358	ECO-115-Y
50mm	128369	ECO-50M-Y
1-15/16	079702	ECO-115 (211)
2	079701	ECO-200 (211)
2-3/16	079700	ECO-203 (211)
2-1/4	079699	ECO-204 (211)
50mm	079698	ECO-50M (211)
55mm	079697	ECO-55M (211)
2-3/16	079696	ECO-203 (212)
2-1/4	079695	ECO-204 (212)
2-7/16	079694	ECO-207 (212)
55mm	079693	ECO-55M (212)
60mm	079692	ECO-60M (212)
2-7/16	127328	ECO-207 (214)
2-1/2	127329	ECO-208 (214)
2-11/16	127330	ECO-211 (214)
65mm	127337	ECO-65M (214)
70mm	127338	ECO-70M (214)
2-11/16	127331	ECO-211 (215)
2-15/16	127332	ECO-215 (215)
70mm	127339	ECO-70M (215)
75mm	127340	ECO-75M (215)
2-15/16	127333	ECO-215 (216)
3	127334	ECO-300 (216)
75mm	127340	ECO-75M (216)
3-7/16	127335	ECO-307 (218)
3-1/2	127336	ECO-308 (218)
85mm	127342	ECO-85M (218)
90mm	127343	ECO-90M (218)

Set screw mounted ball bearings

Related products

Snap-on end covers

Open cover dimensions

Series	Shaft size	A	B	C	D	E
204	3/4	1,19	0,53	1,91	1,38	0,19
	20mm	30,2	13,5	48,4	35,1	4,9
205	1	1,25	0,53	2,17	1,61	0,19
	25mm	31,8	13,5	55,1	40,9	4,9
206	1-3/16	1,39	0,56	2,50	0,97	0,19
	1-1/4	35,3	14,2	63,5	50,0	4,9
207	1-1/4	1,53	0,69	2,91	2,31	0,19
	1-7/16	38,9	17,5	73,9	58,9	4,9
208	1-1/2	1,59	0,69	3,31	2,77	0,20
	40mm	40,6	17,5	84,1	70,1	5,1
209	1-11/16	1,66	0,72	3,50	2,88	0,20
	45mm	41,9	18,3	88,9	72,9	5,1
210	1-15/16	1,72	0,91	3,63	3,00	0,20
	50mm	43,7	23,1	91,4	76,2	5,1
211	1-15/16	1,80	0,97	3,94	3,30	0,21
	2	1,80	0,97	3,94	3,30	0,21
	2-3/16	1,80	0,97	3,94	3,30	0,21
	2-1/4	1,80	0,97	3,94	3,30	0,21
	50mm	1,80	0,97	3,94	3,30	0,21
	55mm	45,5	24,6	100,1	83,6	5,3
212	2-3/16	1,91	1,00	4,38	3,66	0,21
	2-1/4	1,91	1,00	4,38	3,66	0,21
	2-7/16	1,91	1,00	4,38	3,66	0,21
	55mm	1,91	1,00	4,38	3,66	0,21
214	60mm	48,3	25,4	111,3	92,7	5,3
	2-7/16	3,00	1,50	4,90	3,75	0,30
	2-1/2	3,00	1,50	4,90	3,75	0,30
	2-11/16	3,00	1,50	4,90	3,75	0,30
	65mm	3,00	1,50	4,90	3,75	0,30
	70mm	76,2	38,1	124,5	95,3	5,3
215	2-11/16	3,00	1,50	5,20	4,00	0,30
	2-15/16	3,00	1,50	5,20	4,00	0,30
	70mm	3,00	1,50	5,20	4,00	0,30
	75mm	76,2	38,1	132,1	101,6	5,3
216	2-15/16	3,00	1,50	5,50	4,38	0,30
	3	3,00	1,50	5,50	4,38	0,30
	75mm	76,2	38,1	139,7	111,1	5,3
218	3-7/16	3,09	1,50	6,25	5,00	0,30
	3-1/2	3,09	1,50	6,25	5,00	0,30
	85mm	3,09	1,50	6,25	5,00	0,30
	90mm	78,6	38,1	158,8	127,0	5,3

Closed cover dimensions

Series	A	B	C	D
204	1,13	0,53	1,91	1,38
	28,7	13,5	48,4	35,1
205	0,19	0,53	2,17	1,61
	30,2	13,5	55,1	40,9
206	1,33	0,56	2,50	0,97
	1,33	0,56	2,50	0,97
	33,8	14,2	63,5	50,0
207	1,47	0,69	2,91	2,31
	1,47	0,69	2,91	2,31
	37,3	17,5	73,9	58,9
208	1,55	0,69	3,31	2,77
	39,1	17,5	84,1	70,1
209	1,59	0,72	3,50	2,88
	40,4	18,3	88,9	72,9
210	1,66	0,91	3,62	3,00
	42,2	23,1	91,4	76,2
	1,80	0,97	3,94	3,30
211	1,80	0,97	3,94	3,30
	1,80	0,97	3,94	3,30
	1,80	0,97	3,94	3,30
	1,80	0,97	3,94	3,30
	45,5	24,6	100,1	83,6
	45,5	24,6	100,1	83,6
212	1,91	1,00	4,38	3,66
	1,91	1,00	4,38	3,66
	1,91	1,00	4,38	3,66
	48,3	25,4	111,3	92,7
214	48,3	25,4	111,3	92,7
	3,00	1,50	4,90	3,75
	3,00	1,50	4,90	3,75
	3,00	1,50	4,90	3,75
	76,2	38,1	124,5	95,3
	76,2	38,1	124,5	95,3
215	3,00	1,50	5,20	4,00
	3,00	1,50	5,20	4,00
	76,2	38,1	132,1	101,6
	76,2	38,1	132,1	101,6
216	3,00	1,50	5,50	4,38
	3,00	1,50	5,50	4,38
	76,2	38,1	139,7	111,1
218	3,09	1,50	6,25	5,00
	3,09	1,50	6,25	5,00
	78,6	38,1	158,8	127,0
	78,6	38,1	158,8	127,0

Grip Tight[®] mounted ball bearings

Contents

5-2	Features/Benefits
5-4	How to order/Nomenclature
5-5	Selection

Selection/Dimensions

Grip Tight pillow blocks

5-8	GT normal duty
5-12	GTB normal duty
5-14	GTH-E expansion
5-16	GTM medium duty
5-18	GT tapped base

Grip Tight 2-bolt flanges

5-20	GT normal duty
5-22	GTM medium duty
5-24	GT LFT normal duty
5-25	GT normal duty flanged bracketed

Grip Tight 3-bolt flanges

5-26	GT LF normal duty
------	-------------------

Grip Tight 4-bolt flanges

5-27	GT normal duty
5-30	GTM medium duty

Grip Tight piloted flanges (flanged cartridge)

5-32	GT normal duty
5-34	GTM medium duty

Grip Tight take-up bearings

5-36	GT normal duty narrow slot
5-38	GTM medium duty narrow slot
5-40	GT normal duty wide slot
5-44	GTM medium duty wide slot
5-46	GT normal duty top angle
5-47	GTM medium duty top angle

Grip Tight inserts

5-48	GT normal duty
5-52	GTM medium duty
B5-70	Related products
INDEX-1	Part number index
INDEX-69	Key word index

Grip Tight[®] mounted ball bearings

Features/Benefits

Grip Tight[®] mounted ball bearings

Dodge proudly offers a ball bearing with a name that says it all: Grip Tight.

With its patented pull/push adapter system, fully concentric 360° inner ring, and completely interchangeable housing design, the Dodge Grip Tight mounted ball bearing is the easy-on/easy-off solution for damage-free shafting, reduced vibration, and greater cost/inventory savings.

The Grip Tight mounted ball bearing is shaft-ready right out of the box and offered in a variety of housing styles for normal and medium duty operations. It accommodates commercial grade and some undersize shafting to lower costs, and all Grip Tight mounted assemblies fit into a standard Dodge ball bearing housing.

Plus this Dodge bearing has been specifically engineered to run at higher speeds and operate cooler for longer grease life.

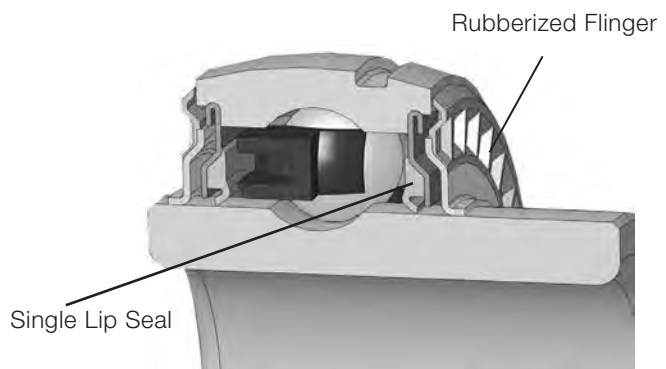
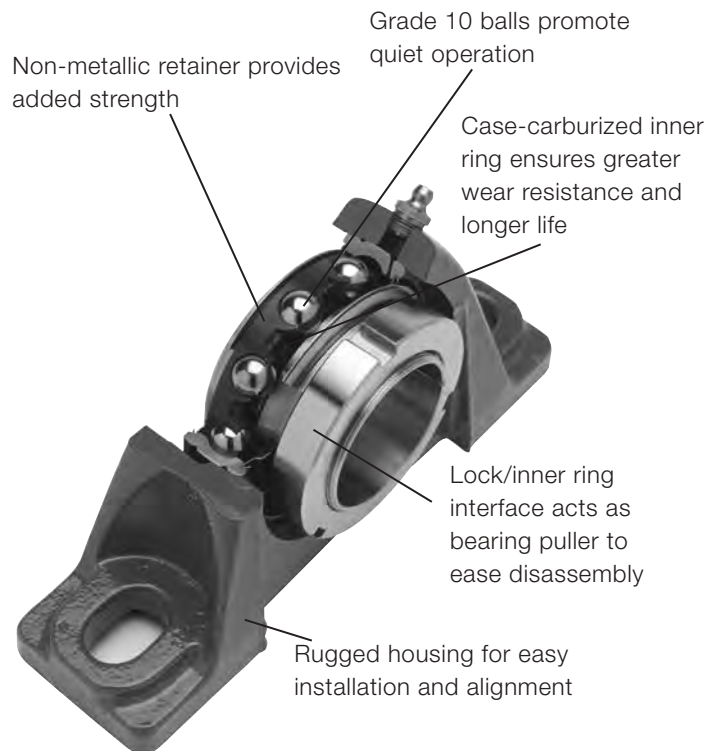
In test comparisons, the Grip Tight mounted ball bearing even proved it could suppress fretting corrosion and scarring to shafts and journals, thus saving not only time but added labor/maintenance costs.

Easy-on / Easy-off

During mounting, the patent pending collar/inner ring system locks the tapered adapter sleeve under the bearing and onto the shaft. To dismount, the built in bearing puller pulls the bearing off the adapter and pushes the adapter in the opposite direction (out from under the bearing).

DualGuard seal

- Mechanically retained single lip seal for added strength
- Purgeable design
- Nitrile rubber lip
- Keeps out contaminants
- Rubberized flinger
 - Dodge-only technology
 - Rubberized flinger provides external protection and discards contaminants as it rotates
 - Molded baffles in flinger act like a paddle wheel to help deflect liquids
 - Molded rubber increases the radius of the flinger which increases the acceleration rate of the contaminants as they are thrown away from the bearing
 - Rubber molding on the flinger is extended to the outer race of the bearing providing better protection than non-rubberized versions



Grip Tight[®] mounted ball bearings

Features/Benefits

Grip Tight[®] mounted ball bearings

Housing styles

Off the shelf and shaft ready, the Dodge Grip Tight mounted ball bearing is offered for normal and Medium duty in a variety of housing styles, including pillow block; tapped base; two-, three-, and four-bolt flange, piloted flange; take-up, and E-Z Kleen design.



Less product inventory for significant savings

With Dodge Grip Tight mounted ball bearings, you can reduce your inventory as much as 25% - 45%. Rather than stocking a complete line of individual bore sizes for each housing style, you can now purchase a housing assembly and adapters separately, with the adapter determining the bore size within a housing series.



Damage free shafting

The new Dodge Grip Tight mounted bearing features a unique adapter-mount design that is specifically developed to withstand axial forces that are generated during mounting or dismounting. The adapter provides superior holding power, as well as suppresses fretting corrosion and vibration.

In test comparisons, a set screw mounted bearing promotes shaft fretting corrosion and scarring. But the new Dodge Grip Tight mounted bearing comes off the shaft quickly and reveals no shaft fretting corrosion or scarring. There is no need to recondition your shaft so you save time and avoid added labor/maintenance.



Full contact on shaft for better grip, less vibration

Set screw locking can distort the inner ring and cause system induced vibration. But with the new Dodge Grip Tight mounted, the adapter attaches itself to the shaft for full concentric contact 360° through the length of the bearing.



Grip Tight® mounted ball bearings

How to order/Nomenclature

Grip Tight

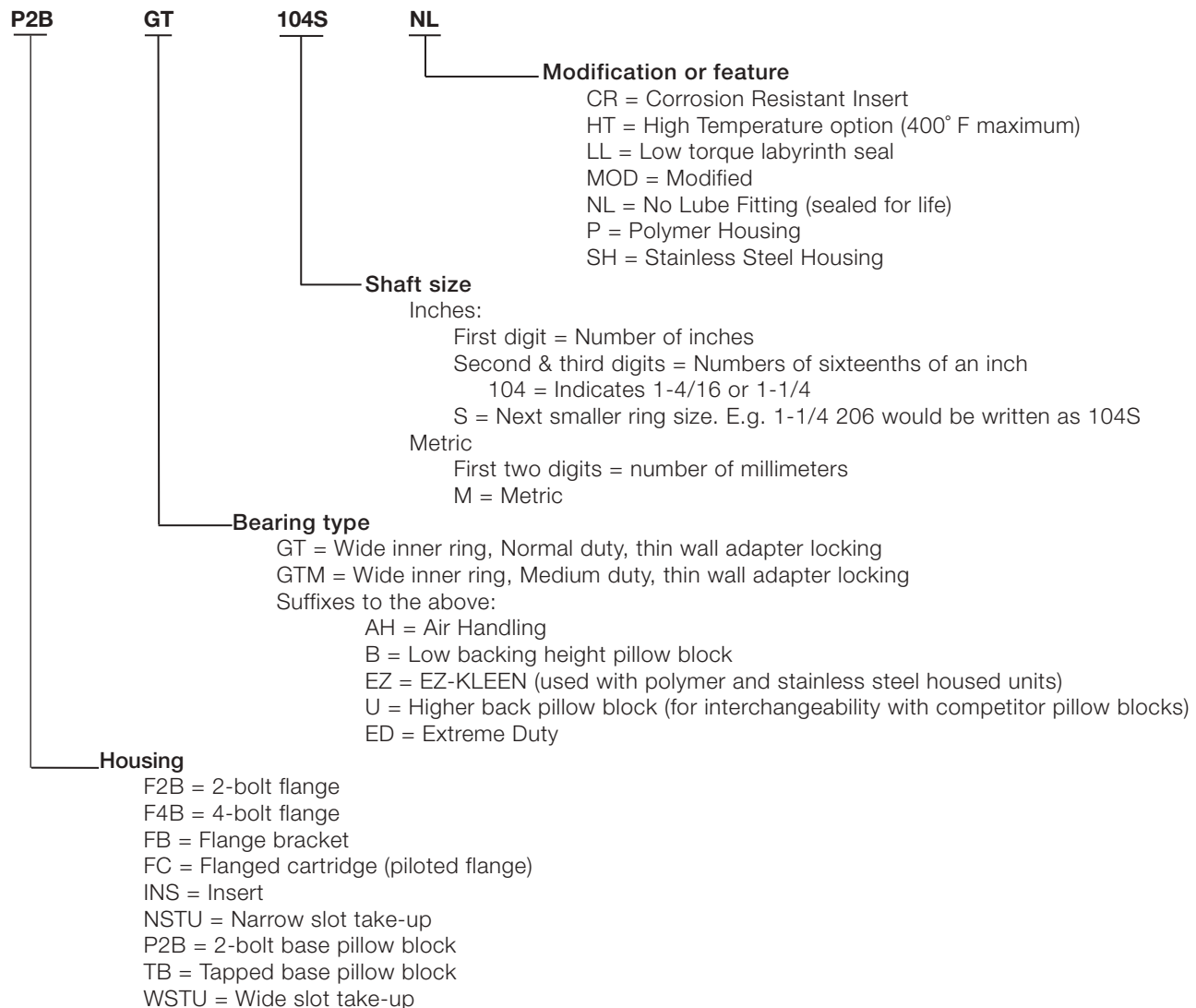
Thin wall adapter mounted ball bearings

There are two ways to specify Dodge Bearings. Most of the product offerings have part numbers with listings shown throughout this catalog. Use of the part numbers ensures accurate order processing.

When part numbers are not shown, the product may be specified by description or part name.

This method is used when ordering units that include modifications or options. To order by description, use the nomenclature key shown below and add any special instructions to the end of the description for options not covered by the nomenclature.

Nomenclature



Grip Tight[®] mounted ball bearings

Selection

Grip Tight mounted ball bearings

Dodge mounted ball bearings are primarily designed for radial loading. However, they have the capacity to carry thrust loads and combined radial/thrust loads. The maximum recommended load which can be applied is limited by various components in the system, such as bearing, housing, shaft attachments, speed and life requirements. Dodge mounted ball bearings have been applied successfully when these limits have been exceeded under controlled operating conditions. Contact Dodge engineering for applications which exceed these recommendations.

Select a bearing from the selection chart that has a radial load rating at the operating speed equal to or greater than the calculated Equivalent Radial load for a desired L10 life. This simple method is all that is required for the majority of general applications and provides for occasional average shock loads.

L10 hours life-is the life which may be expected for at least 90% of a given group of bearings operating under identical conditions. For an L10 hours life other than those listed in the selection chart, multiply the equivalent radial load by one of the following factors. For 50,000 L10 hours life, use a factor of 1.18 and for 80,000, use 1.39. Then select a bearing from the bold face (30,000) L10 ratings only in the selection chart that has a rating equal to or greater than this value.

Heavy service-for heavy shock loads, frequent shock loads or severe vibrations, add up to 50% (according to severity of conditions) to the equivalent radial load to obtain a modified equivalent radial load. Consult application engineering for additional selection assistance.

A thrust load value of C/10 is recommended as a guide for general applications and will give adequate L10 life. Where substantial radial load pulls the housing away from the mounting base, both the hold-down bolts and housing must be of adequate strength. Auxiliary load carrying devices, such as shear bars, are advisable for side or end-loading of pillow blocks and radial loads for flange units.

To determine the L10 hours life for loads and RPM's not listed use the following equation:

$$L_{10} = \left(\frac{C}{P}\right)^3 \times \frac{16,667}{N}$$

Where:

L10 = Life, hours

C = Dynamic capacity, lb or N

P = Equivalent radial load, lb or N

N = Revolutions per minute

When the load on a ball bearing is solely a radial load with no thrust (axial) load, the equivalent radial load (P) is equal to the actual radial load. However, when a thrust (axial) load is applied, the radial and thrust loads applied must be converted into an equivalent radial load. The use of the X (radial factor) and Y (thrust factor) from table 1 convert the actual applied thrust and radial loads to an equivalent radial load which has the same effect on the life of a bearing as a radial load of this magnitude.

$$P = (X \times FR) + (Y \times FA)$$

Where:

P = Equivalent radial load, lb

FR = Radial load, lb

FA = Thrust load, lb

e = Thrust load to radial load factor (Table 1)

X = Radial load factor (Table 1)

Y = Thrust Factor (Table 1)

CO = Basic static capacity

To find X and Y, first calculate FA/CO to determine e. Calculate FA/FR and compare to e to determine the X and Y factors to use from Table 1.

Substitute all known values into the Equivalent Radial Load equation. The Equivalent Radial loads (P) thus determined can be used in the L10 life formula or compared to the allowable Equivalent Radial Load rating desired in the expanded rating chart to select a bearing (Table 2).

If calculated value of P is less than FR, use P=FR.

Table 1:

F _A / C ₀	e	Radial/Thrust factors			
		If F _A /F _R is equal to or less than e		If F _A /F _R is greater than e	
		F _A /F _R ≤ e	F _A /F _R > e	X	Y
0.014	0.19	1	0	0.56	2.30
0.021	0.21	1	0	0.56	2.15
0.028	0.22	1	0	0.56	1.99
0.042	0.24	1	0	0.56	1.85
0.056	0.26	1	0	0.56	1.71
0.070	0.27	1	0	0.56	1.63
0.084	0.28	1	0	0.56	1.55
0.110	0.30	1	0	0.56	1.45
0.170	0.34	1	0	0.56	1.31
0.280	0.38	1	0	0.56	1.15
0.420	0.42	1	0	0.56	1.04
0.560	0.44	1	0	0.56	1.00

Lubrication-Dodge ball bearings are lubricated at the factory and are ready to run. The bearings are initially lubricated with a lithium complex based grease and should be relubricated with the same or some equivalent. For high speeds, high loads, extreme temperatures and other abnormal operating conditions, special greases may be required. Contact Dodge Application Engineering for recommendations on these types of applications.

Misalignment-Dodge ball bearings are designed to allow a maximum of ± 2° static misalignment. These bearings are not suitable for dynamic misalignment. To ensure good alignment, mounting surfaces must be checked for flatness and must lie in the same plane. When tightening base bolts, each bolt should be alternately tightened in incremental torque values until full torque is achieved to prevent the angular shifting of the pillow block that occurs when one bolt is tightened to its full torque. Shimming may be required to minimize misalignment.

Suggested lubrication intervals in weeks

Hours run per day	RPM							
	1 to 250	251 to 500	501 to 750	751 to 1000	1001 to 1500	1501 to 2000	2001 to 2500	2501 to Max.
8	12	12	10	7	5	4	3	2
16	12	7	5	4	2	2	1	1
24	10	5	3	2	1	1	1	1

Shaft tolerances		
Normal shaft size inches	Commercial shaft tolerances inches	Recommended shaft tolerances Grip Tight ball bearings inches
Up to 1-1/2	+0.000 -0.002	+0.000 -0.002
Over 1-1/2. to 2-1/2	+0.000 -0.003	+0.000 -0.003
Over 2-1/2	+0.000 -0.004	+0.000 -0.004

Grip Tight® mounted ball bearings

Selection

Grip Tight mounted ball bearings

Table 2: Easy selection table

Ring size	Shaft Size		Dynamic capacity C (lb)	Static capacity Co (lb)	Max RPM		L ₁₀ life hours	Allowable equivalent radial load ratings (lb) at various RPM												
	GT	GTM			Proguard plus (Contact) seal	Labyrinth (LL) seal		50	150	250	500	750	1,000	1,500	1,750	2,200	2,600	3,000	3,200	3,600
203	1/2	-	2,158	1079	12,000	14,500	20,000	551	382	322	256	224	203	177	169	156	148	141	138	133
		5/8	-	2,158	1079	12,000	14,500	30,000	482	334	282	224	195	177	155	147	136	129	123	120
	17mm	-	2,158	1079	12,000	14,500	40,000	438	303	256	203	177	161	141	134	124	117	112	109	105
		-	2,158	1079	12,000	14,500	60,000	382	265	224	177	155	141	123	117	108	102	98	96	92
204	3/4	-	2,158	1079	12,000	14,500	100,000	322	224	189	150	131	119	104	99	91	86	82	81	77
		20mm	-	2,899	1482	10,000	13,000	30,000	647	449	378	300	262	238	208	198	183	173	165	162
	-	-	2,899	1482	10,000	13,000	40,000	588	408	344	273	238	217	189	180	166	157	150	147	141
		-	2,899	1482	10,000	13,000	60,000	513	356	300	238	208	189	165	157	145	138	131	128	123
205	7/8	3/4	3,146	1769	9,000	12,000	20,000	804	557	470	373	326	296	259	246	228	215	205	201	193
		15/16	-	3,146	1769	9,000	12,000	30,000	702	487	411	326	285	259	226	215	199	188	179	176
	1	-	3,146	1769	9,000	12,000	40,000	638	442	373	296	259	235	205	195	181	171	163	159	153
		25mm	-	3,146	1769	9,000	12,000	60,000	557	386	326	259	226	205	179	170	158	149	142	139
206	1-1/8	1	4,368	2538	7,500	11,000	20,000	1,116	774	652	518	452	411	359	341	316	299	285	279	268
		1-3/16	25mm	4,368	2538	7,500	11,000	30,000	975	676	570	452	395	359	314	298	276	261	249	244
	1-1/4	-	4,368	2538	7,500	11,000	40,000	886	614	518	411	359	326	285	271	251	237	226	221	213
		30mm	-	4,368	2538	7,500	11,000	60,000	774	536	452	359	314	285	249	237	219	207	198	193
207	1-1/4	1-3/16	5,759	3461	6,300	9,500	20,000	1,471	1,020	860	683	596	542	473	450	417	394	376	368	354
		1-3/8	1-1/4	5,759	3461	6,300	9,500	30,000	1,285	891	752	596	521	473	414	393	364	344	328	321
	1-7/16	30mm	5,759	3461	6,300	9,500	40,000	1,168	810	683	542	473	430	376	357	331	313	298	292	281
		35mm	-	5,759	3461	6,300	9,500	60,000	1,020	707	596	473	414	376	328	312	289	273	261	255
208	1-1/2	1-7/16	7,332	4475	5,600	8,500	20,000	1,873	1,299	1,095	869	759	690	603	573	531	502	478	468	450
		40mm	1-1/2**	7,332	4475	5,600	8,500	30,000	1,636	1,134	957	759	663	603	527	500	463	438	418	409
	-	35mm	7,332	4475	5,600	8,500	40,000	1,487	1,031	869	690	603	548	478	454	421	398	380	372	357
		-	7,332	4475	5,600	8,500	60,000	1,299	900	759	603	527	478	418	397	368	348	332	325	312
209	1-5/8	1-1/2	7,891	4906	5,300	8,000	20,000	2,016	1,398	1,179	936	817	743	649	616	571	540	515	504	485
		1-14/16	40mm	7,891	4906	5,300	8,000	30,000	1,761	1,221	1,030	817	714	649	567	538	499	472	450	440
	1-3/4	-	7,891	4906	5,300	8,000	40,000	1,600	1,109	936	743	649	589	515	489	453	429	409	400	385
		45mm	-	7,891	4906	5,300	8,000	60,000	1,398	969	817	649	567	515	450	427	396	374	357	349
210	1-15/16	1-11/16	7,891	5213	4,800	7,500	20,000	2,016	1,398	1,179	936	817	743	649	616	571	540	515	504	485
		2	1-3/4	7,891	5213	4,800	7,500	30,000	1,761	1,221	1,030	817	714	649	567	538	499	472	450	440
	50mm	45mm	7,891	5213	4,800	7,500	40,000	1,600	1,109	936	743	649	589	515	489	453	429	409	400	385
		-	7,891	5213	4,800	7,500	60,000	1,398	969	817	649	567	515	450	427	396	374	357	349	336
211	2	1-15/16	9,755	6588	4,300	6,700	20,000	2,492	1,728	1,457	1,157	1,010	918	802	762	706	668	636	623	599
		2-3/16	2	9,755	6588	4,300	6,700	30,000	2,177	1,509	1,273	1,010	883	802	701	665	617	583	556	544
	55mm	50mm	9,755	6588	4,300	6,700	40,000	1,978	1,371	1,157	918	802	729	636	605	560	530	505	494	475
		-	9,755	6588	4,300	6,700	60,000	1,728	1,198	1,010	802	701	636	556	528	489	463	441	432	415
212	2-1/4	2-3/16	11,791	8100	4,000	6,000	20,000	3,012	2,088	1,761	1,398	1,221	1,110	969	921	853	807	769	753	724
		2-7/16	2-1/4	11,791	8100	4,000	6,000	30,000	2,631	1,824	1,539	1,221	1,067	969	847	804	745	705	672	658
	60mm	55mm	11,791	8100	4,000	6,000	40,000	2,391	1,657	1,398	1,110	969	881	769	731	677	640	611	598	575
		-	11,791	8100	4,000	6,000	60,000	2,088	1,448	1,221	969	847	769	672	638	592	559	533	522	502
214	2-11/16	2-7/16	13,995	9838	3,600	5,000	20,000	3,575	2,479	2,091	1,659	1,450	1,317	1,150	1,093	1,013	958	913	894	859
		70mm	2-1/2	13,995	9838	3,600	5,000	30,000	3,123	2,165	1,826	1,450	1,266	1,150	1,005	955	885	837	798	781
	-	65mm	13,995	9838	3,600	5,000	40,000	2,837	1,967	1,659	1,317	1,150	1,045	913	867	804	760	725	709	682
		-	13,995	9838	3,600	5,000	60,000	2,479	1,719	1,450	1,150	1,005	913	798	758	702	664	633	620	596
215	2-15/16	2-11/16	14,872	11108	3,200	4,800	20,000	3,799	2,634	2,222	1,763	1,540	1,400	1,223	1,161	1,076	1,018	970	950	913
		75mm	70mm	14,872	11108	3,200	4,800	30,000	3,319	2,301	1,941	1,540	1,346	1,223	1,068	1,015	940	889	848	830
	-	-	14,872	11108	3,200	4,800	40,000	3,015	2,091	1,763	1,400	1,223	1,111	970	922	854	808	770	754	725
		-	14,872	11108	3,200	4,800	60,000	2,634	1,826	1,540	1,223	1,068	970	848	805	746	706	673	658	633
216	-	2-15/16	17,407	13102	3,000	4,500	20,000	4,446	3,083	2,600	2,064	1,803	1,638	1,431	1,359	1,259	1,191	1,136	1,112	1,069
		3	75mm	17,407	13102	3,000	4,500	30,000	3,884	2,693	2,272	1,803	1,575	1,431	1,250	1,187	1,100	1,041	992	971
	-	-	17,407	13102	3,000	4,500	40,000	3,529	2,447	2,064	1,638	1,431	1,300	1,136	1,079	1,000	946	901	882	848
		-	17,407	13102	3,000	4,500	60,000	3,083	2,138	1,803	1,431	1,250	1,136	992	942	873	826	788	771	741
218	-	3-7/16	21,451	16641	2,600	3,800	20,000	5,479	3,799	3,204	2,543	2,222	2,019	1,763	1,675	1,552	1,468	1,400	1,370	1,317
		3-1/2	85mm	21,451	16641	2,600	3,800	30,000	4,787	3,319	2,799	2,222	1,941	1,763	1,541	1,463	1,356	1,282	1,223	1,197
	-	-	21,451	16641	2,600	3,800	40,000	4,349	3,015	2,543	2,019	1,763	1,602	1,400	1,330	1,232	1,165	1,111	1,087	1,045
		-	21,451	16641	2,600	3,800	60,000	3,799	2,634	2,222	1,763	1,541	1,400	1,223	1,161	1,076	1,018	970	950	913
219	-	-	21,451	16641	2,600	3,800	100,000	3,204	2,222	1,874	1,487	1,299	1,181	1,031	980	908	859	819	801	770

** Piloted flange Only

Grip Tight[®] mounted ball bearings

Selection

Grip Tight mounted ball bearings

Table 2: Easy selection table

Ring size	Shaft size		L ₁₀ life hours	Allowable equivalent radial load ratings (Lb) at various RPM																					
	GT	GTM		3,800	4,000	4,300	4,500	4,800	5,000	5,300	5,600	6,000	6,300	6,700	7,500	8,000	8,500	9,000	9,500	10,000	11,000	12,000	13,000	14,500	
203	1/2 5/8 17mm	-	20,000	130	128	125	123	120	119	116	114	112	110	108	104	102	100	98	96	94	91	89	86	83	
			30,000	114	112	109	107	105	104	102	100	98	96	94	91	89	87	85	84	82	80	77	75	73	
			40,000	103	102	99	98	96	94	92	91	89	87	85	82	81	79	77	76	75	72	70	69	66	66
			60,000	90	89	87	85	83	82	81	79	77	76	75	72	70	69	68	66	65	63	62	60	58	58
204	3/4 20mm	-	20,000	175	172	168	165	162	160	156	154	150	148	145	139	136	134	131	129	127	123	119	116		
			30,000	153	150	147	144	141	139	137	134	131	129	126	122	119	117	115	113	111	107	104	101		
			40,000	139	136	133	131	128	127	124	122	119	117	115	111	108	106	104	102	101	97	95	92	92	
			60,000	121	119	116	115	112	111	108	107	104	102	100	97	95	93	91	89	88	85	83	80	80	68
205	7/8 15/16 1 25mm	3/4	20,000	190	187	182	179	176	173	170	167	163	160	157	151	148	145	142	140	137	133	129	129		
			30,000	166	163	159	157	153	151	148	146	142	140	137	132	129	127	124	122	120	116	113			
			40,000	151	148	145	142	139	137	135	132	129	127	125	120	117	115	113	111	109	106	103	103		
			60,000	132	129	126	124	122	120	118	116	113	111	109	105	103	101	99	97	95	92	90	90		
206	1-1/8 1-3/16 1-1/4 30mm	1	20,000	263	259	253	249	244	240	236	231	226	223	218	210	206	201	198	194	191	185				
			30,000	230	226	221	217	213	210	206	202	198	194	190	183	180	176	173	170	167	161				
			40,000	209	206	201	198	193	191	187	184	180	177	173	167	163	160	157	154	151	147				
			60,000	183	180	175	173	169	167	163	160	157	154	151	146	143	140	137	135	132	128				
207	1-1/4 1-3/8 1-7/16 35mm	1-3/16	20,000	347	341	333	328	321	317	311	305	298	293	287	277	271	266	261	256						
			30,000	303	298	291	287	281	277	272	267	261	256	251	242	237	232	228	224						
			40,000	276	271	265	261	255	252	247	242	237	233	228	220	215	211	207	203						
			60,000	241	237	231	228	223	220	216	212	207	203	199	192	188	184	181	177						
208	1-1/2 40mm	1-7/16 1-1/2** 35mm	20,000	442	435	424	418	409	403	396	389	380	374	366	352	345	338								
			30,000	386	380	371	365	357	352	346	339	332	326	320	308	301	295								
			40,000	351	345	337	332	325	320	314	308	301	297	290	280	274	268								
			60,000	307	301	294	290	284	280	274	269	263	259	254	244	239	234								
209	1-5/8 1-11/16 1-3/4 45mm	1-1/2	20,000	476	468	457	450	440	434	426	418	409	402	394	379	371									
			30,000	416	409	399	393	385	379	372	365	357	351	344	331	324									
			40,000	378	371	362	357	349	345	338	332	324	319	313	301	295									
			60,000	330	324	317	312	305	301	295	290	283	279	273	263	257									
210	1-15/16 2 50mm	1-11/16 1-3/4 45mm	20,000	476	468	457	450	440	434	426	418	409	402	394	379										
			30,000	416	409	399	393	385	379	372	365	357	351	344	331	324									
			40,000	378	371	362	357	349	345	338	332	324	319	313	301	295									
			60,000	330	324	317	312	305	301	295	290	283	279	273	263	257									
211	2 55mm	1-15/16 2-3/16 50mm	20,000	588	578	565	556	544	537	527	517	505	497	487											
			30,000	514	505	493	486	475	469	460	452	441	434	425											
			40,000	467	459	448	441	432	426	418	410	401	394	386											
			60,000	408	401	391	386	377	372	365	358	350	345	338											
212	2-1/4 2-7/16 60mm	2-3/16 2-1/4 55mm	20,000	711	699	682	672	658	649	636	625	611													
			30,000	621	611	596	587	575	567	556	546	533													
			40,000	564	555	542	533	522	515	505	496	485													
			60,000	493	485	473	466	456	450	441	433	423													
214	2-11/16 70mm	2-7/16 2-1/2 65mm	20,000	844	830	810	798	781	770																
			30,000	737	725	708	697	682	673																
			40,000	670	658	643	633	620	611																
			60,000	585	575	562	553	541	534																
215	2-15/16 75mm	2-11/16 70mm	20,000	897	882	861	848	830																	
			30,000	783	770	752	741	725																	
			40,000	712	700	683	673	658																	
			60,000	622	611	597	588	575																	
216	- 3 75mm	2-15/16 3 75mm	20,000	1,050	1,032	1,007	992																		
			30,000	917	901	880	867																		
			40,000	833	819	800	788																		
			60,000	728	715	698	688																		
218	- 3-7/16 3-1/2 85mm	2-15/16 3 85mm	20,000	1,294																					
			30,000	1,130																					
			40,000	1,027																					
			60,000	897																					
			100,000	756																					

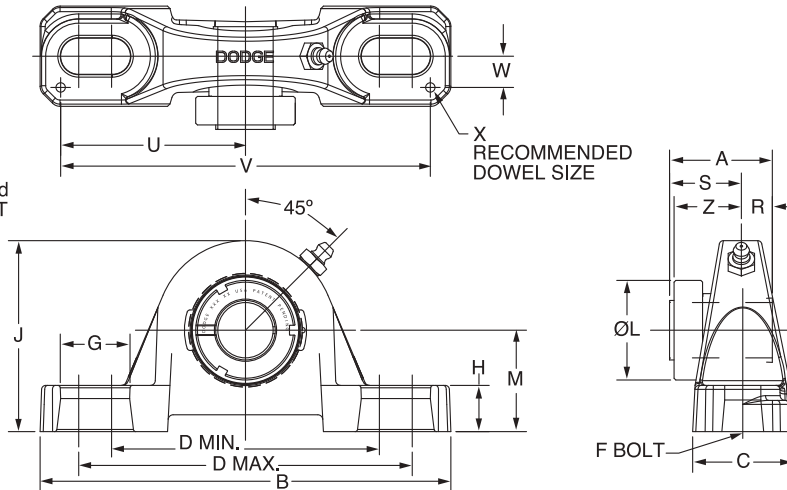
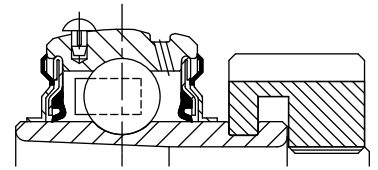
** Piloted Flange Only

Labyrinth seal required when operating in the shaded area

Grip Tight® mounted ball bearings

Selection/Dimensions

Grip Tight mounted ball bearings GT normal duty pillow blocks



Lube Fitting Thread Size -
203 Series - 1/4-28 Tapered Thread
204 Series and Larger - 1/8-27 NPT

Series	Shaft size	Complete unit		Unit without adapter sleeve & lock nut		Adapter sleeve & lock nut assembly	
		Part no.	Description	Part no.	Description	Part no.	Description
203	1/2	129150	P2B-GT-008	129420	P2B-GT-03	136588	AN-GT-03-008-D
	5/8	129151	P2B-GT-010	129420	P2B-GT-03	136521	AN-GT-03-010-D
	17mm	129203	P2B-GT-17M	129420	P2B-GT-03	136589	AN-GT-03-17M-D
203 (GTU)	1/2	129152	P2B-GTU-008	129432	P2B-GTU-03	136588	AN-GT-03-008-D
	5/8	129153	P2B-GTU-010	129432	P2B-GTU-03	136521	AN-GT-03-010-D
	17mm	129204	P2B-GTU-17M	129432	P2B-GTU-03	136589	AN-GT-03-17M-D
204	3/4	129154	P2B-GT-012	129421	P2B-GT-04	136522	AN-GT-04-012-D
	20mm	129205	P2B-GT-20M	129421	P2B-GT-04	136553	AN-GT-04-20M-D
205	7/8	129155	P2B-GT-014	129422	P2B-GT-05	136590	AN-GT-05-014-D
	15/16	129156	P2B-GT-015	129422	P2B-GT-05	136523	AN-GT-05-015-D
	1	129157	P2B-GT-100	129422	P2B-GT-05	136524	AN-GT-05-100-D
206	25mm	129206	P2B-GT-25M	129422	P2B-GT-05	136554	AN-GT-05-25M-D
	1-1/8	129158	P2B-GT-102	129423	P2B-GT-06	136525	AN-GT-06-102-D
	1-3/16	129159	P2B-GT-103	129423	P2B-GT-06	136526	AN-GT-06-103-D
206 (GTU)	1-1/4	129160	P2B-GT-104S	129423	P2B-GT-06	136527	AN-GT-06-104S-D
	30mm	129207	P2B-GT-30M	129423	P2B-GT-06	136555	AN-GT-06-30M-D
	1-1/8	129841	P2B-GTU-102	129419	P2B-GTU-06	136525	AN-GT-06-102-D
206 (GTU)	1-3/16	129842	P2B-GTU-103	129419	P2B-GTU-06	136526	AN-GT-06-103-D
	1-1/4	129843	P2B-GTU-104S	129419	P2B-GTU-06	136527	AN-GT-06-104-D
	30mm	129208	P2B-GTU-30M	129419	P2B-GTU-06	136555	AN-GT-06-30M-D
207	1-1/4	129161	P2B-GT-104	129424	P2B-GT-07	136528	AN-GT-07-104-D
	1-3/8	129162	P2B-GT-106	129424	P2B-GT-07	136591	AN-GT-07-106-D
	1-7/16	129163	P2B-GT-107	129424	P2B-GT-07	136529	AN-GT-07-107-D
	35mm	129209	P2B-GT-35M	129424	P2B-GT-07	136556	AN-GT-07-35M-D

Grip Tight® mounted ball bearings

Selection/Dimensions

Grip Tight mounted ball bearings

GT normal duty pillow blocks

Series	Shaft size	Weight lb kg	A	B	C	D		F bolt dia.	G	H	J	L	M	R#	S#	U	V	W	X*	Z
						min.	max.													
203	1/2	1.5	1.29	5.00	1.20	3.25	4.06	3/8	0.84	0.47	2.14	1.40	1.06	0.40	0.89	2.25	4.50	0.38	0.12	0.90
	5/8	1.5	1.29	5.00	1.20	3.25	4.06	3/8	0.84	0.47	2.14	1.40	1.06	0.40	0.89	2.25	4.50	0.38	0.12	0.90
	17mm	0.6	32.8	127.0	30.5	82.6	103.1	M10	21.3	11.9	54.4	35.6	27.0	10.2	22.6	57.2	114.3	9.7	3.0	22.9
203 (GTU)	1/2	1.7	1.29	5.00	1.20	3.25	4.06	3/8	0.84	0.59	2.27	1.40	1.19	0.40	0.89	2.25	4.50	0.38	0.12	0.90
	5/8	1.6	1.29	5.00	1.20	3.25	4.06	3/8	0.84	0.59	2.27	1.40	1.19	0.40	0.89	2.25	4.50	0.38	0.12	0.90
	17mm	0.7	32.8	127.0	30.5	82.6	103.1	M10	21.3	15.0	57.7	35.6	30.2	10.2	22.6	57.2	114.3	9.7	3.0	22.9
204	3/4	2.1	1.48	5.25	1.34	3.38	4.19	3/8	0.85	0.53	2.56	1.50	1.31	0.46	1.02	2.25	4.50	0.50	0.12	1.03
	20mm	1.0	37.6	133.4	34.0	85.9	106.4	M10	21.6	13.5	65.0	38.1	33.3	11.7	25.9	57.2	114.3	12.7	3.0	26.2
205	7/8	2.3	1.46	5.50	1.40	3.69	4.50	3/8	0.85	0.58	2.77	1.80	1.44	0.48	0.98	2.50	5.00	0.50	0.12	1.00
	15/16	2.3	1.46	5.50	1.40	3.69	4.50	3/8	0.85	0.58	2.77	1.80	1.44	0.48	0.98	2.50	5.00	0.50	0.12	1.00
	1	2.3	1.46	5.50	1.40	3.69	4.50	3/8	0.85	0.58	2.77	1.80	1.44	0.48	0.98	2.50	5.00	0.50	0.12	1.00
205	25mm	1.1	37.1	139.7	35.6	93.7	114.3	M10	21.6	14.7	70.4	45.7	36.5	12.2	24.9	63.5	127.0	12.7	3.0	25.4
	1-1/8	3.7	1.61	6.25	1.75	4.25	5.00	1/2	0.94	0.68	3.25	2.08	1.63	0.52	1.09	2.88	5.76	0.56	0.12	1.13
	1-3/16	3.6	1.61	6.25	1.75	4.25	5.00	1/2	0.94	0.68	3.25	2.08	1.63	0.52	1.09	2.88	5.76	0.56	0.12	1.13
206	1-1/4	3.6	1.61	6.25	1.75	4.25	5.00	1/2	0.94	0.68	3.25	2.08	1.63	0.52	1.09	2.88	5.76	0.56	0.12	1.13
	30mm	1.7	40.9	158.8	44.5	108.0	127.0	M12	23.9	17.3	82.6	52.8	41.3	13.2	27.7	73.2	146.3	14.2	3.0	28.7
	1-1/8	3.8	1.61	6.25	1.75	4.25	5.00	1/2	0.94	0.75	3.31	2.08	1.69	0.52	1.09	2.88	5.76	0.56	0.12	1.13
206 (GTU)	1-3/16	3.7	1.61	6.25	1.75	4.25	5.00	1/2	0.94	0.75	3.31	2.08	1.69	0.52	1.09	2.88	5.76	0.56	0.12	1.13
	1-1/4	3.7	1.61	6.25	1.75	4.25	5.00	1/2	0.94	0.75	3.31	2.08	1.69	0.52	1.09	2.88	5.76	0.56	0.12	1.13
	30mm	1.7	40.9	158.8	44.5	108.0	127.0	M12	23.9	19.1	84.1	52.8	42.9	13.2	27.7	73.2	146.3	14.2	3.0	28.7
207	1-1/4	4.9	1.62	6.50	1.75	4.68	5.44	1/2	0.94	0.71	3.75	2.38	1.88	0.54	1.08	2.91	5.82	0.56	0.12	1.14
	1-3/8	4.9	1.62	6.50	1.75	4.68	5.44	1/2	0.94	0.71	3.75	2.38	1.88	0.54	1.08	2.91	5.82	0.56	0.12	1.14
	1-7/16	4.8	1.62	6.50	1.75	4.68	5.44	1/2	0.94	0.71	3.75	2.38	1.88	0.54	1.08	2.91	5.82	0.56	0.12	1.14
	35mm	2.2	41.1	165.1	44.5	118.9	138.2	M12	23.9	18.0	95.3	60.5	47.6	13.7	27.4	73.9	147.8	14.2	3.0	29.0

* Only 1 pillow block can be dowel pinned per shaft

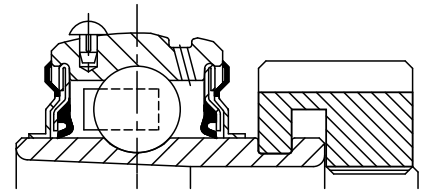
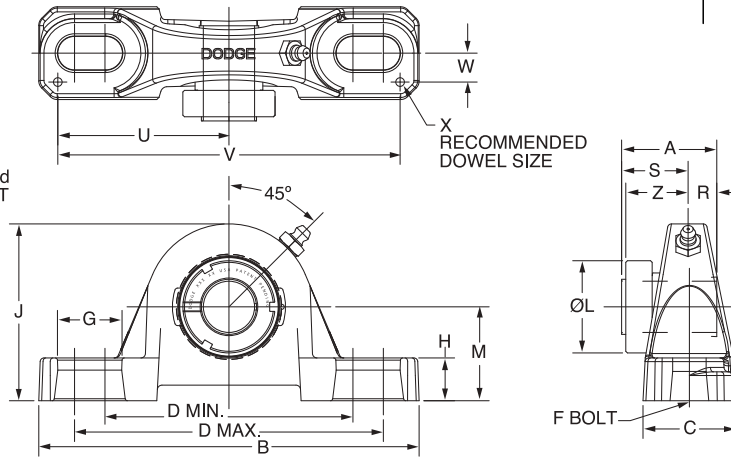
R & S Dimensions will vary slightly depending on true shaft diameter

Grip Tight[®] mounted ball bearings

Selection/Dimensions

Grip Tight mounted ball bearings GT normal duty pillow blocks

Lube Fitting Thread Size -
203 Series - 1/4-28 Tapered Thread
204 Series and Larger - 1/8-27 NPT



Series	Shaft size	Complete unit		Unit without adapter sleeve & lock nut		Adapter sleeve & lock nut assembly	
		Part no.	Description	Part no.	Description	Part no.	Description
208	1-1/2	129164	P2B-GT-108	129425	P2B-GT-08	136530	AN-GT-08-108-D
	1-5/8	129371	P2B-GT-110	129425	P2B-GT-08	136592	AN-GT-08-110-D
	40mm	129149	P2B-GT-40M	129425	P2B-GT-08	136593	AN-GT-08-40M-D
209	1-5/8	129165	P2B-GT-110L	129426	P2B-GT-09	136531	AN-GT-09-110L-D
	1-11/16	129166	P2B-GT-111	129426	P2B-GT-09	136532	AN-GT-09-111-D
	1-3/4	129167	P2B-GT-112	129426	P2B-GT-09	136533	AN-GT-09-112-D
210	45mm	129211	P2B-GT-45M	129426	P2B-GT-09	136557	AN-GT-09-45M-D
	1-15/16	129168	P2B-GT-115	129427	P2B-GT-10	136534	AN-GT-10-115-D
	2	129169	P2B-GT-200	129427	P2B-GT-10	136535	AN-GT-10-200-D
211	50mm	129212	P2B-GT-50M	129427	P2B-GT-10	136558	AN-GT-10-50M-D
	2	129224	P2B-GTM-200	129428	P2B-GT-11	136600	AN-GTM-11-200-D
	2-3/16	129170	P2B-GT-203	129428	P2B-GT-11	136536	AN-GT-11-203-D
212	2-1/4	129376	P2B-GT-204	129428	P2B-GT-11	136537	AN-GT-11-204-D
	55mm	129213	P2B-GT-55M	129428	P2B-GT-11	136559	AN-GT-11-55M-D
	2-1/4	129226	P2B-GTM-204	129429	P2B-GT-12	136601	AN-GTM-12-204-D
214	2-7/16	129171	P2B-GT-207	129429	P2B-GT-12	136538	AN-GT-12-207-D
	60mm	129214	P2B-GT-60M	129429	P2B-GT-12	136594	AN-GT-12-60M-D
	2-1/2	129228	P2B-GTM-208	129430	P2B-GT-14	136547	AN-GTM-14-207-D
215	2-11/16	129172	P2B-GT-211	129430	P2B-GT-14	136548	AN-GTM-14-208-D
	70mm	129215	P2B-GT-70M	129430	P2B-GT-14	136568	AN-GT-14-65M-D
	2-15/16	129173	P2B-GT-215	129431	P2B-GT-15	136540	AN-GT-15-215-D
215 (GTU)	3	@	P2B-GT-300	129431	P2B-GT-15	136595	AN-GT-15-300-D
	75mm	129216	P2B-GT-75M	129431	P2B-GT-15	136596	AN-GT-15-75M-D
	2-15/16	068726	P2B-GTU-215	068727	P2B-GTU-15	136540	AN-GT-15-215-D
215 (GTU)	3	@	P2B-GTU-300	068727	P2B-GTU-15	136595	AN-GT-15-300-D
	75mm	@	P2B-GTU-75M	068727	P2B-GTU-15	136596	AN-GT-15-75M-D

@ Assembled To Order

Grip Tight® mounted ball bearings

Selection/Dimensions

Grip Tight mounted ball bearings
GT normal duty pillow blocks

Series	Shaft size	Weight lb kg	A	B	C	D		F bolt dia.	G	H	J	L	M	R#	S#	U	V	W	X*	Z
						min.	max.													
208	1-1/2	6.0	1.84	7.25	1.93	5.18	5.88	1/2	0.91	0.93	4.19	2.62	2.13	0.61	1.23	3.26	6.52	0.69	0.12	1.23
	1-5/8	5.8	1.84	7.25	1.93	5.18	5.88	1/2	0.91	0.93	4.19	2.62	2.13	0.61	1.23	3.26	6.52	0.69	0.12	1.23
	40mm	2.7	46.7	184.2	49.0	131.6	149.4	M12	23.1	23.6	106.4	66.5	54.0	15.5	31.2	82.8	165.6	17.5	3.0	31.2
209	1-5/8	6.8	1.85	7.44	2.00	5.50	6.19	1/2	0.90	0.75	4.28	2.86	2.13	0.62	1.23	3.38	6.76	0.69	0.12	1.26
	1-11/16	6.8	1.85	7.44	2.00	5.50	6.19	1/2	0.90	0.75	4.28	2.86	2.13	0.62	1.23	3.38	6.76	0.69	0.12	1.26
	1-3/4	6.7	1.85	7.44	2.00	5.50	6.19	1/2	0.90	0.75	4.28	2.86	2.13	0.62	1.23	3.38	6.76	0.69	0.12	1.26
210	45mm	3.1	47.0	189.0	50.8	139.7	157.2	M12	22.9	19.1	108.7	72.6	54.0	15.7	31.2	85.9	171.7	17.5	3.0	32.0
	1-11/16	8.5	1.86	8.12	2.25	6.00	6.68	5/8	1.02	0.75	4.53	3.13	2.25	0.63	1.23	3.69	7.38	0.81	0.12	1.26
	2	8.4	1.86	8.12	2.25	6.00	6.68	5/8	1.02	0.75	4.53	3.13	2.25	0.63	1.23	3.69	7.38	0.81	0.12	1.26
211	50mm	3.9	47.2	206.2	57.2	152.4	169.7	M16	25.9	19.1	115.1	79.5	57.2	16.0	31.2	93.7	187.5	20.6	3.0	32.0
	2	12.2	1.93	8.88	2.30	6.38	7.44	5/8	1.21	0.88	4.96	3.43	2.50	0.67	1.26	3.94	7.88	0.81	0.12	1.32
	2-3/16	11.8	1.93	8.88	2.30	6.38	7.44	5/8	1.21	0.88	4.96	3.43	2.50	0.67	1.26	3.94	7.88	0.81	0.12	1.32
212	2-1/4	11.7	1.93	8.88	2.30	6.38	7.44	5/8	1.21	0.88	4.96	3.43	2.50	0.67	1.26	3.94	7.88	0.81	0.12	1.32
	55mm	5.6	49.0	225.6	58.4	162.1	189.0	M16	30.7	22.4	126.0	87.1	63.5	17.0	32.0	100.1	200.2	20.6	3.0	33.5
	2-7/16	17.5	2.12	9.50	2.37	6.88	7.94	5/8	1.21	0.88	5.40	3.69	2.75	0.73	1.39	4.25	8.50	0.88	0.12	1.46
214	60mm	7.0	53.8	241.3	60.2	174.8	201.7	M16	30.7	22.4	137.2	93.7	69.9	18.5	35.3	108.0	215.9	22.4	3.0	37.1
	2-1/2	19.4	2.39	10.75	2.69	7.50	8.50	3/4	1.32	0.94	6.09	4.00	3.00	0.84	1.55	4.88	9.76	0.94	0.12	1.58
	2-11/16	19.3	2.39	10.75	2.69	7.50	8.50	3/4	1.32	0.94	6.09	4.00	3.00	0.84	1.55	4.88	9.76	0.94	0.12	1.58
215	70mm	8.9	60.7	273.1	68.3	190.5	215.9	M18	33.5	23.9	154.7	101.6	76.2	21.3	39.4	124.0	247.9	23.9	3.0	40.1
	2-15/16	25.2	2.46	11.75	2.88	8.50	9.50	7/8	1.44	1.00	6.75	4.44	3.50	0.86	1.60	5.48	10.96	1.04	0.12	1.60
	3	25.0	2.46	11.75	2.88	8.50	9.50	7/8	1.44	1.00	6.75	4.44	3.50	0.86	1.60	5.48	10.96	1.04	0.12	1.60
215 (GTU)	75mm	10.1	62.5	298.5	73.2	215.9	241.3	M22	36.6	25.4	171.5	112.8	88.9	21.8	40.6	139.2	278.4	26.4	3.0	40.6
	2-15/16	24.9	2.46	11.75	2.88	8.50	9.50	7/8	1.44	1.00	6.50	4.44	3.25	0.86	1.60	5.48	10.96	1.04	0.12	1.60
	3	24.7	2.46	11.75	2.88	8.50	9.50	7/8	1.44	1.00	6.50	4.44	3.25	0.86	1.60	5.48	10.96	1.04	0.12	1.60
215 (GTU)	75mm	10.0	62.5	298.5	73.2	215.9	241.3	M22	36.6	25.4	165.1	112.8	82.6	21.8	40.6	139.2	278.4	26.4	3.0	40.6

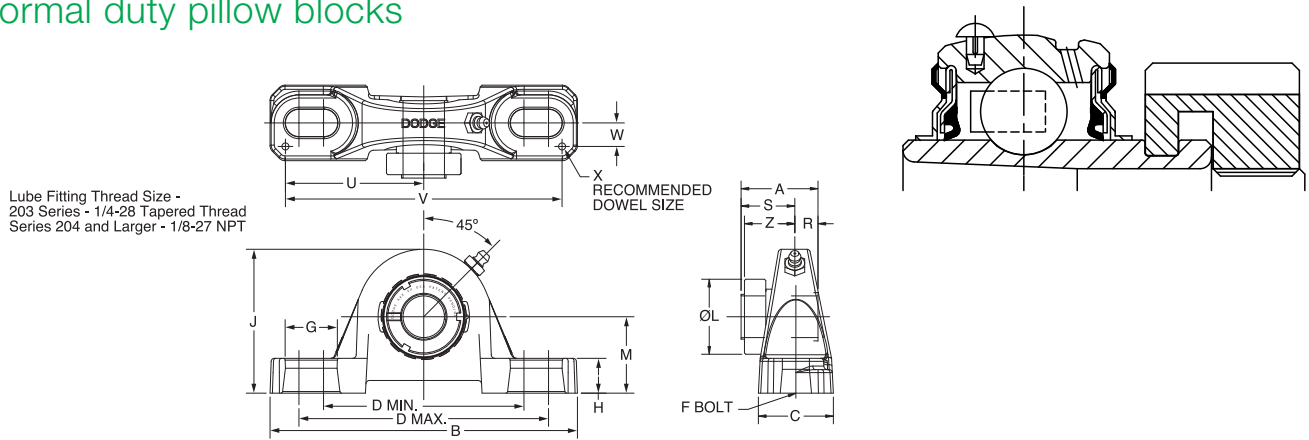
* Only 1 pillow block can be dowel pinned per shaft

R & S Dimensions will vary slightly depending on true shaft diameter

Grip Tight® mounted ball bearings

Selection/Dimensions

Grip Tight mounted ball bearings GTB normal duty pillow blocks



Series	Shaft size	Complete unit		Unit without adapter sleeve & lock nut		Adapter sleeve & lock nut assembly	
		Part no.	Description	Part no.	Description	Part no.	Description
203 (GT)	1/2	129150	P2B-GT-008	129420	P2B-GT-03	136588	AN-GT-03-008-D
	5/8	129151	P2B-GT-010	129420	P2B-GT-03	136521	AN-GT-03-010-D
	17mm	129203	P2B-GT-17M	129420	P2B-GT-03	136589	AN-GT-03-17M-D
204	3/4	129183	P2B-GTB-012	129433	P2B-GTB-04	136522	AN-GT-04-012-D
	20mm	129040	P2B-GTB-20M	129433	P2B-GTB-04	136553	AN-GT-04-20M-D
205	7/8	129184	P2B-GTB-014	129434	P2B-GTB-05	136590	AN-GT-05-014-D
	15/16	129185	P2B-GTB-015	129434	P2B-GTB-05	136523	AN-GT-05-015-D
	1	129186	P2B-GTB-100	129434	P2B-GTB-05	136524	AN-GT-05-100-D
206	25mm	129041	P2B-GTB-25M	129434	P2B-GTB-05	136554	AN-GT-05-25M-D
	1-1/8	129187	P2B-GTB-102	129435	P2B-GTB-06	136525	AN-GT-06-102-D
	1-3/16	129188	P2B-GTB-103	129435	P2B-GTB-06	136526	AN-GT-06-103-D
207	1-1/4	129189	P2B-GTB-104S	129435	P2B-GTB-06	136527	AN-GT-06-104S-D
	30mm	129042	P2B-GTB-30M	129435	P2B-GTB-06	136555	AN-GT-06-30M-D
	1-1/4	129190	P2B-GTB-104	129436	P2B-GTB-07	136528	AN-GT-07-104-D
208	1-3/8	129191	P2B-GTB-106	129436	P2B-GTB-07	136591	AN-GT-07-106-D
	1-7/16	129192	P2B-GTB-107	129436	P2B-GTB-07	136529	AN-GT-07-107-D
	35mm	129043	P2B-GTB-35M	129436	P2B-GTB-07	136556	AN-GT-07-35M-D
209	1-1/2	129193	P2B-GTB-108	129437	P2B-GTB-08	136530	AN-GT-08-108-D
	1-5/8	129372	P2B-GTB-110	129437	P2B-GTB-08	136592	AN-GT-08-110-D
	40mm	129210	P2B-GTB-40M	129437	P2B-GTB-08	136593	AN-GT-08-40M-D
210	1-5/8	129194	P2B-GTB-110L	129438	P2B-GTB-09	136531	AN-GT-09-110L-D
	1-11/16	129195	P2B-GTB-111	129438	P2B-GTB-09	136532	AN-GT-09-111-D
	1-3/4	129196	P2B-GTB-112	129438	P2B-GTB-09	136533	AN-GT-09-112-D
211	45mm	129044	P2B-GTB-45M	129438	P2B-GTB-09	136557	AN-GT-09-45M-D
	1-15/16	129197	P2B-GTB-115	129439	P2B-GTB-10	136534	AN-GT-10-115-D
	2	129198	P2B-GTB-200	129439	P2B-GTB-10	136535	AN-GT-10-200-D
212	50mm	129045	P2B-GTB-50M	129439	P2B-GTB-10	136558	AN-GT-10-50M-D
	2	129199	P2B-GTB-200L	129440	P2B-GTB-11	136600	AN-GTM-11-200-D
	2-3/16	129200	P2B-GTB-203	129440	P2B-GTB-11	136536	AN-GT-11-203-D
213	2-1/4	129377	P2B-GTB-204	129440	P2B-GTB-11	136537	AN-GT-11-204-D
	55mm	129046	P2B-GTB-55M	129440	P2B-GTB-11	136559	AN-GT-11-55M-D
	2-1/4	129201	P2B-GTB-204L	129441	P2B-GTB-12	136601	AN-GTM-12-204-D
214	2-7/16	129202	P2B-GTB-207	129441	P2B-GTB-12	136538	AN-GT-12-207-D
	60mm	129047	P2B-GTB-60M	129441	P2B-GTB-12	136594	AN-GT-12-60M-D
	2-15/16	062741	P2B-GTB-215	062742	P2B-GTB-15	136540	AN-GT-15-215-D
215	3	@	P2B-GTB-300	062742	P2B-GTB-15	136595	AN-GT-15-300-D
	75mm	@	P2B-GTB-75M	062742	P2B-GTB-15	136596	AN-GT-15-75M-D

@ Assembled to order

Grip Tight[®] mounted ball bearings

Selection/Dimensions

Grip Tight mounted ball bearings

GTB normal duty pillow blocks

Series	Shaft size	Weight lb kg	A	B	C	D		F bolt dia.	G	H	J	L	M	R#	S#	U	V	W	X*	Z
						min.	max.													
203	1/2	1.6	1.29	5.00	1.20	3.25	4.06	3/8	0.84	0.47	2.14	1.40	1.06	0.40	0.89	2.25	4.50	0.38	0.12	0.90
	5/8	1.6	1.29	5.00	1.20	3.25	4.06	3/8	0.84	0.47	2.14	1.40	1.06	0.40	0.89	2.25	4.50	0.38	0.12	0.90
	17mm	0.6	32.8	127.0	30.5	82.6	103.1	M10	21.3	11.9	54.4	35.6	26.9	10.2	22.6	57.2	114.3	9.7	3.0	22.9
204	3/4	2.1	1.48	5.25	1.34	3.38	4.19	3/8	0.85	0.47	2.49	1.50	1.25	0.46	1.02	2.25	4.50	0.50	0.12	1.03
	20mm	1.0	37.6	133.4	34.0	85.9	106.4	M10	21.6	11.9	63.2	38.1	31.8	11.7	25.9	57.2	114.3	12.7	3.0	26.2
205	7/8	2.3	1.46	5.50	1.40	3.69	4.50	3/8	0.85	0.45	2.64	1.80	1.31	0.48	0.98	2.50	5.00	0.50	0.12	1.00
	15/16	2.3	1.46	5.50	1.40	3.69	4.50	3/8	0.85	0.45	2.64	1.80	1.31	0.48	0.98	2.50	5.00	0.50	0.12	1.00
	1	2.3	1.46	5.50	1.40	3.69	4.50	3/8	0.85	0.45	2.64	1.80	1.31	0.48	0.98	2.50	5.00	0.50	0.12	1.00
206	25mm	1.1	37.1	139.7	35.6	93.7	114.3	M10	21.6	11.4	67.1	45.7	33.3	12.2	24.9	63.5	127.0	12.7	3.0	25.4
	1-1/8	3.8	1.61	6.25	1.75	4.25	5.00	1/2	0.94	0.62	3.19	2.08	1.56	0.52	1.09	2.88	5.76	0.56	0.12	1.13
	1-3/16	3.7	1.61	6.25	1.75	4.25	5.00	1/2	0.94	0.62	3.19	2.08	1.56	0.52	1.09	2.88	5.76	0.56	0.12	1.13
	1-1/4	3.7	1.61	6.25	1.75	4.25	5.00	1/2	0.94	0.62	3.19	2.08	1.56	0.52	1.09	2.88	5.76	0.56	0.12	1.13
207	30mm	1.7	40.9	158.8	44.5	108.0	127.0	M12	23.9	15.8	81.0	52.8	39.6	13.2	27.7	73.2	146.3	14.2	3.0	28.7
	1-1/4	4.9	1.62	6.50	1.75	4.68	5.44	1/2	0.94	0.65	3.69	2.38	1.81	0.54	1.08	2.91	5.82	0.56	0.12	1.14
	1-3/8	4.9	1.62	6.50	1.75	4.68	5.44	1/2	0.94	0.65	3.69	2.38	1.81	0.54	1.08	2.91	5.82	0.56	0.12	1.14
	1-7/16	4.8	1.62	6.50	1.75	4.68	5.44	1/2	0.94	0.65	3.69	2.38	1.81	0.54	1.08	2.91	5.82	0.56	0.12	1.14
208	35mm	2.2	41.1	165.1	44.5	118.9	138.2	M12	23.9	16.5	93.7	60.5	46.0	13.7	27.4	73.9	147.8	14.2	3.0	29.0
	1-1/2	6.0	1.84	7.25	1.93	5.18	5.88	1/2	0.91	0.75	4.00	2.62	1.94	0.61	1.23	3.26	6.52	0.69	0.12	1.23
	1-5/8	5.9	1.84	7.25	1.93	5.18	5.88	1/2	0.91	0.75	4.00	2.62	1.94	0.61	1.23	3.26	6.52	0.69	0.12	1.23
	40mm	2.7	46.7	184.2	49.0	131.6	149.4	M12	23.1	19.1	101.6	66.5	49.3	15.5	31.2	82.8	165.6	17.5	3.0	31.2
209	1-5/8	6.8	1.85	7.44	2.00	5.50	6.19	1/2	0.90	0.69	4.21	2.86	2.06	0.62	1.23	3.38	6.76	0.69	0.12	1.26
	1-11/16	6.8	1.85	7.44	2.00	5.50	6.19	1/2	0.90	0.69	4.21	2.86	2.06	0.62	1.23	3.38	6.76	0.69	0.12	1.26
	1-3/4	6.7	1.85	7.44	2.00	5.50	6.19	1/2	0.90	0.69	4.21	2.86	2.06	0.62	1.23	3.38	6.76	0.69	0.12	1.26
	45mm	3.1	47.0	189.0	50.8	139.7	157.2	M12	22.9	17.5	106.9	72.6	52.3	15.7	31.2	85.9	171.7	17.5	3.0	32.0
210	1-15/16	8.5	1.86	8.12	2.25	6.00	6.68	5/8	1.02	0.68	4.47	3.13	2.19	0.63	1.23	3.69	7.38	0.81	0.12	1.26
	2	8.4	1.86	8.12	2.25	6.00	6.68	5/8	1.02	0.68	4.47	3.13	2.19	0.63	1.23	3.69	7.38	0.81	0.12	1.26
	50mm	3.9	47.2	206.2	57.2	152.4	169.7	M16	25.9	17.3	113.5	79.5	55.6	16.0	31.2	93.7	187.5	20.6	3.0	32.0
211	2	12.2	1.93	8.88	2.30	6.38	7.44	5/8	1.21	0.81	4.90	3.43	2.44	0.67	1.26	3.94	7.88	0.81	0.12	1.32
	2-3/16	11.9	1.93	8.88	2.30	6.38	7.44	5/8	1.21	0.81	4.90	3.43	2.44	0.67	1.26	3.94	7.88	0.81	0.12	1.32
	2-1/4	11.8	1.93	8.88	2.30	6.38	7.44	5/8	1.21	0.81	4.90	3.43	2.44	0.67	1.26	3.94	7.88	0.81	0.12	1.32
	55mm	5.6	49.0	225.6	58.4	162.1	189.0	M16	30.7	20.6	124.5	87.1	62.0	17.0	32.0	100.1	200.2	20.6	3.0	33.5
212	2-1/4	17.5	2.12	9.50	2.37	6.88	7.94	5/8	1.21	0.81	5.34	3.69	2.69	0.73	1.39	4.25	8.50	0.88	0.12	1.46
	2-7/16		2.12	9.50	2.37	6.88	7.94	5/8	1.21	0.81	5.34	3.69	2.69	0.73	1.39	4.25	8.50	0.88	0.12	1.46
	60mm	7.0	53.8	241.3	60.2	174.8	201.7	M16	30.7	20.6	135.6	93.7	68.3	18.5	35.3	108.0	215.9	22.4	3.0	37.1
215	2-15/16	24.9	2.46	11.75	2.88	8.50	9.50	7/8	1.44	1.06	6.56	4.44	3.31	0.86	1.60	5.48	10.96	1.04	0.12	1.60
	3	24.7	2.46	11.75	2.88	8.50	9.50	7/8	1.44	1.06	6.56	4.44	3.31	0.86	1.60	5.48	10.96	1.04	0.12	1.60
	75mm	11.4	62.5	298.5	73.2	215.9	241.3	M22	36.6	26.9	166.6	112.8	84.1	21.8	40.6	139.2	278.4	26.4	3.0	40.6

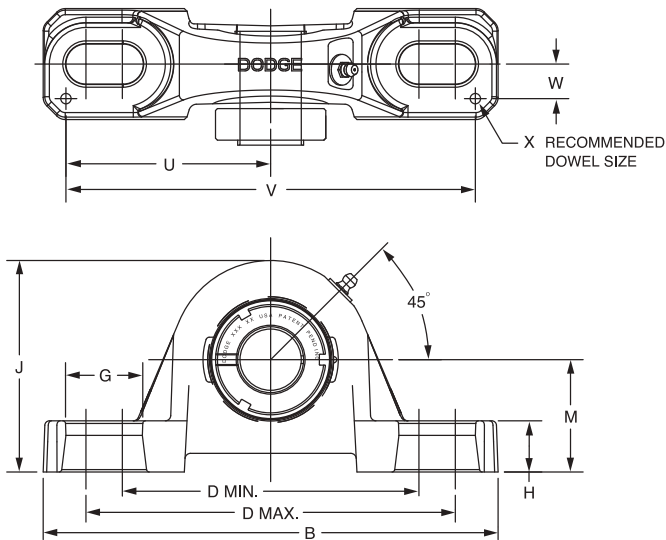
* Only 1 pillow block can be dowel pinned per shaft

R & S Dimensions will vary slightly depending on true shaft diameter

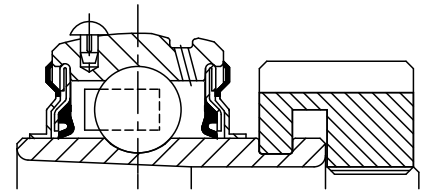
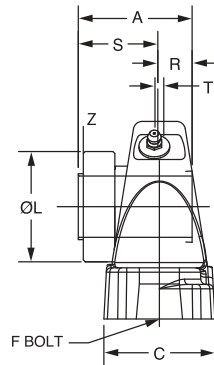
Grip Tight[®] mounted ball bearings

Selection/Dimensions

Grip Tight mounted ball bearings GTH-E expansion pillow blocks



Lube fitting thread size:
1/4-28 tapered thread



Series	Shaft size	Complete unit		Unit without adapter sleeve & lock nut		Adapter sleeve & lock nut assembly	
		Part no.	Description	Part no.	Description	Part no.	Description
205	1	077471	P2B-GTH-100-E	065777	P2B-GTH-05-E	136524	AN-GT-05-100-D
	25mm	065776	P2B-GTH-25M-E	065777	P2B-GTH-05-E	136554	AN-GT-05-25M-D
206	1-3/16	130691	P2B-GTH-103-E	130697	P2B-GTH-06-E	136526	AN-GT-06-103-D
	1-1/4	068230	P2B-GTH-104S-E	130697	P2B-GTH-06-E	136527	AN-GT-06-104S-D
	30mm	068872	P2B-GTH-30M-E	130697	P2B-GTH-06-E	136555	AN-GT-06-30M-D
207	1-7/16	130692	P2B-GTH-107-E	130698	P2B-GTH-07-E	136529	AN-GT-07-107-D
	35mm	065598	P2B-GTH-35M-E	130698	P2B-GTH-07-E	136556	AN-GT-07-35M-D
209	1-11/16	130693	P2B-GTH-111-E	130699	P2B-GTH-09-E	136532	AN-GT-09-111-D
	1 3/4	@	P2B-GTH-112-E	130699	P2B-GTH-09-E	136533	AN-GT-09-112-D
	45mm	064874	P2B-GTH-45M-E	130699	P2B-GTH-09-E	136557	AN-GT-09-45M-D
210	1-15/16	130694	P2B-GTH-115-E	130700	P2B-GTH-10-E	136534	AN-GT-10-115-D
	2	@	P2B-GTH-200-E	130700	P2B-GTH-10-E	136535	AN-GT-10-200-D
211	50mm	064794	P2B-GTH-50M-E	130700	P2B-GTH-10-E	136558	AN-GT-10-50M-D
	2-3/16	130695	P2B-GTH-203-E	130701	P2B-GTH-11-E	136536	AN-GT-11-203-D
	2 1/4	130689	P2B-GTH-204-E	130701	P2B-GTH-11-E	136537	AN-GT-11-204-D
212	55mm	064875	P2B-GTH-55M-E	130701	P2B-GTH-11-E	136559	AN-GT-11-55M-D
	2-7/16	130696	P2B-GTH-207-E	130702	P2B-GTH-12-E	136538	AN-GT-12-207-D
	60mm	@	P2B-GTH-60M-E	130702	P2B-GTH-12-E	136594	AN-GT-12-60M-D

Use GTM medium duty pillow blocks for non-expansion units.

@ Assembled to order

Grip Tight[®] mounted ball bearings

Selection/Dimensions

Grip Tight mounted ball bearings
GTH-E expansion pillow blocks

Series	Shaft size	Weight lb kg	A	B	C	D		F bolt dia.	G	H	J
						min.	max.				
205	1	3.7	1.46	6.25	1.75	4.25	5.00	1/2	0.94	0.75	3.31
	25mm	1.7	37.1	158.8	44.5	108.0	127.0	M12	23.9	19.1	84.1
206	1-3/16	5.0	1.61	6.50	1.75	4.68	5.44	1/2	0.94	0.71	3.75
	1-1/4	5.0	1.61	6.50	1.75	4.68	5.44	1/2	0.94	0.71	3.75
	30mm	1.5	40.9	165.1	44.5	118.9	138.2	M12	23.9	18.0	95.3
207	1-7/16	6.9	1.62	7.25	1.93	5.18	5.88	1/2	0.91	0.93	4.19
	35mm	2.1	41.1	184.2	49.0	131.6	149.4	M12	23.1	23.6	106.4
209	1-11/16	9.2	1.85	8.12	2.25	6.00	6.68	5/8	1.02	0.75	4.53
	1-3/4	9.2	1.85	8.12	2.25	6.00	6.68	5/8	1.02	0.75	4.53
	45mm	2.8	47.0	206.2	57.2	152.4	169.7	M16	25.9	19.1	115.1
210	1-15/16	10.8	1.86	8.88	2.30	6.38	7.44	5/8	1.21	0.88	4.96
	2	10.8	1.86	8.88	2.30	6.38	7.44	5/8	1.21	0.88	4.96
	50mm	3.3	47.2	225.6	58.4	162.1	189.0	M16	30.7	22.4	126.0
211	2-3/16	15.7	1.93	9.50	2.37	6.88	7.94	5/8	1.21	0.88	5.40
	2-1/4	15.7	1.93	9.50	2.37	6.88	7.94	5/8	1.21	0.88	5.40
	55mm	4.8	49.0	241.3	60.2	174.8	201.7	M16	30.7	22.4	137.2
212	2-7/16	20.1	2.12	10.75	2.69	7.50	8.50	3/4	1.32	0.94	6.09
	60mm	6.1	53.8	273.1	68.3	190.5	215.9	M18	33.5	23.8	154.7

Series	Shaft size	L	M	R#	S#	T		U	V	W	X@	Z
						total	expansion					
205	1	1.80	1.69	0.48	0.98	0.16	2.88	5.76	0.56	0.12	1.00	
	25mm	45.7	42.9	12.2	24.9	4.1	73.2	146.3	14.2	3.0	25.4	
206	1-3/16	2.08	1.88	0.52	1.09	0.16	2.91	5.82	0.56	0.12	1.13	
	1-1/4	2.08	1.88	0.52	1.09	0.16	2.91	5.82	0.56	0.12	1.13	
	30mm	52.8	47.8	13.2	27.7	4.1	73.9	147.8	14.2	3.0	28.7	
207	1-7/16	2.38	2.13	0.54	1.08	0.16	3.26	6.52	0.69	0.12	1.14	
	35mm	60.5	54.1	13.7	27.4	4.1	82.8	165.6	17.5	3.0	29.0	
209	1-11/16	2.86	2.25	0.62	1.23	0.25	3.69	7.38	0.81	0.12	1.26	
	1-3/4	2.86	2.25	0.62	1.23	0.25	3.69	7.38	0.81	0.12	1.26	
	45mm	72.6	57.2	15.7	31.2	6.4	93.7	187.5	20.6	3.0	32.0	
210	1-15/16	3.13	2.50	0.63	1.23	0.22	3.94	7.88	0.81	0.12	1.26	
	2	3.13	2.50	0.63	1.23	0.22	3.94	7.88	0.81	0.12	1.26	
	50mm	79.5	63.5	16.0	31.2	5.6	100.1	200.2	20.6	3.0	32.0	
211	2-3/16	3.43	2.75	0.67	1.26	0.22	4.25	8.50	0.88	0.12	1.32	
	2-1/4	3.43	2.75	0.67	1.26	0.22	4.25	8.50	0.88	0.12	1.32	
	55mm	87.1	69.9	17.0	32.0	5.6	108.0	215.9	22.4	3.0	33.5	
212	2-7/16	3.69	3.00	0.73	1.39	0.22	4.88	9.76	0.94	0.12	1.46	
	60mm	93.7	76.2	18.5	35.3	5.6	124.0	247.9	23.9	3.0	37.1	

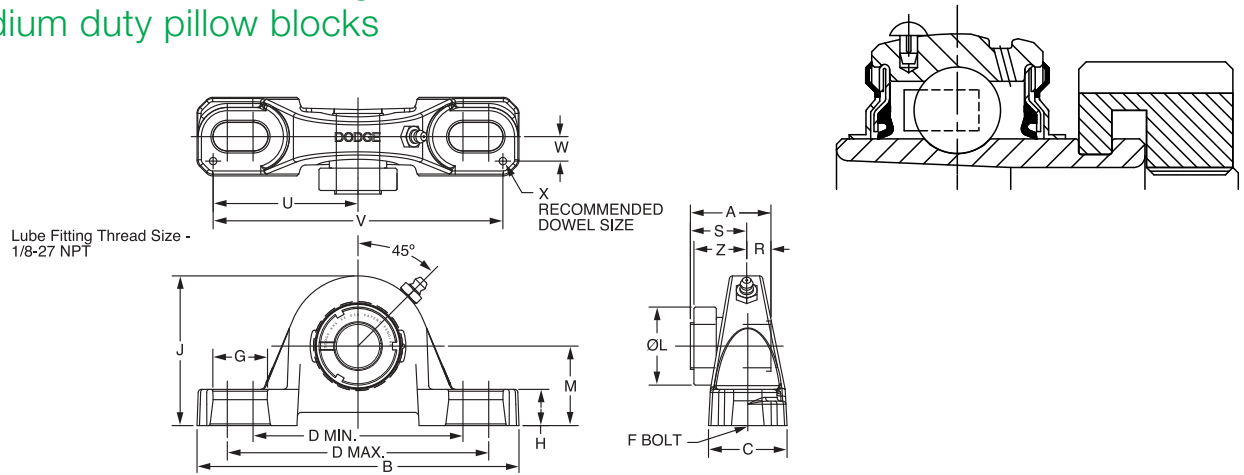
@ Only 1 pillow block can be dowel pinned per shaft

R & S dimensions will vary slightly depending on true shaft diameter.

Grip Tight[®] mounted ball bearings

Selection/Dimensions

Grip Tight mounted ball bearings GTM medium duty pillow blocks



Series	Shaft size	Complete unit		Unit without adapter & nut		Adapter & nut assembly	
		Part no.	Description	Part no.	Description	Part no.	Description
205	3/4	129048	P2B-GTM-012	129422	P2B-GT-05	136597	AN-GTM-05-012-D
206	1	129217	P2B-GTM-100	129419	P2B-GTU-06	136541	AN-GTM-06-100-D
	25mm	136258	P2B-GTM-25M	129419	P2B-GTU-06	136561	AN-GTM-06-25M-D
206 (GTMU)	1	129381	P2B-GTMU-100	129385	P2B-GTMU-06	136541	AN-GTM-06-100-D
	25mm	@	P2B-GTMU-25M	129385	P2B-GTMU-06	136561	AN-GTM-06-25M-D
207	1-3/16	129218	P2B-GTM-103	129424	P2B-GT-07	136542	AN-GTM-07-103-D
	1-1/4	129161	P2B-GT-104	129424	P2B-GT-07	136528	AN-GT-07-104-D
	30mm	129049	P2B-GTM-30M	129424	P2B-GT-07	136562	AN-GTM-07-30M-D
208	1-7/16	129219	P2B-GTM-107	129425	P2B-GT-08	136543	AN-GTM-08-107-D
	35mm	136259	P2B-GTM-35M	129425	P2B-GT-08	136563	AN-GTM-08-35M-D
209	1-1/2	129220	P2B-GTM-108	129426	P2B-GT-09	136598	AN-GTM-09-108-D
	40mm	136260	P2B-GTM-40M	129426	P2B-GT-09	136564	AN-GTM-09-40M-D
210	1-11/16	129221	P2B-GTM-111	129427	P2B-GT-10	136544	AN-GTM-10-111-D
	1-3/4	129222	P2B-GTM-112	129427	P2B-GT-10	136599	AN-GTM-10-112-D
	45mm	136261	P2B-GTM-45M	129427	P2B-GT-10	136565	AN-GTM-10-45M-D
210 (GTMU)	1-11/16	129383	P2B-GTMU-111	129387	P2B-GTU-10	136544	AN-GTM-10-111-D
	1-3/4	@	P2B-GTMU-112	129387	P2B-GTU-10	136599	AN-GTM-10-112-D
	45mm	@	P2B-GTMU-45M	129387	P2B-GTU-10	136565	AN-GTM-10-45M-D
211	1-15/16	129223	P2B-GTM-115	129428	P2B-GT-11	136545	AN-GTM-11-115-D
	2	129224	P2B-GTM-200	129428	P2B-GT-11	136600	AN-GTM-11-200-D
	50mm	136262	P2B-GTM-50M	129428	P2B-GT-11	136566	AN-GTM-11-50M-D
212	2-3/16	129225	P2B-GTM-203	129429	P2B-GT-12	136546	AN-GTM-12-203-D
	2-1/4	129226	P2B-GTM-204	129429	P2B-GT-12	136601	AN-GTM-12-204-D
	55mm	136263	P2B-GTM-55M	129429	P2B-GT-12	036567	AN-GTM-12-55M-D
214	2-7/16	129227	P2B-GTM-207	129430	P2B-GT-14	136547	AN-GTM-14-207-D
	2-1/2	129228	P2B-GTM-208	129430	P2B-GT-14	136548	AN-GTM-14-208-D
	60mm	068071	P2B-GTM-60M	129430	P2B-GT-14	136602	AN-GTM-14-60M-D
	65mm	136264	P2B-GTM-65M	129430	P2B-GT-14	136568	AN-GTM-14-65M-D
215	2-11/16	129229	P2B-GTM-211	129431	P2B-GT-15	136549	AN-GTM-15-211-D
	70mm	136265	P2B-GTM-70M	129431	P2B-GT-15	136569	AN-GTM-15-70M-D
216	2-15/16	129230	P2B-GTM-215	129453	P2B-GT-16	136550	AN-GTM-16-215-D
	3	129231	P2B-GTM-300	129453	P2B-GT-16	136551	AN-GTM-16-300-D
	75mm	136266	P2B-GTM-75M	129453	P2B-GT-16	136570	AN-GTM-16-75M-D
218	3-7/16	129232	P2B-GTM-307	129454	P2B-GT-18	136552	AN-GTM-18-307-D
	3-1/2	129233	P2B-GTM-308	129454	P2B-GT-18	136603	AN-GTM-18-308-D
	85mm	136267	P2B-GTM-85M	129454	P2B-GT-18	136571	AN-GTM-18-85M-D

@ Assembled to order

Grip Tight® mounted ball bearings

Selection/Dimensions

Grip Tight mounted ball bearings
GTM medium duty pillow blocks

Series	Shaft size	Weight lb kg	A	B	C	D		F bolt dia.	G	H	J	L	M	R#	S#	U	V	W	X@	Z
						min.	max.													
205	3/4	2.4	1.46	5.50	1.40	3.69	4.50	3/8	0.85	0.58	2.77	1.80	1.44	0.48	0.98	2.50	5.00	0.50	0.12	1.00
			37.1	139.7	35.6	93.7	114.3	M10	21.6	14.7	70.4	45.7	36.5	12.2	24.9	63.5	127.0	12.7	3.0	25.4
206	1	4.2	1.61	6.25	1.75	4.25	5.00	1/2	0.94	0.68	3.25	2.08	1.63	0.52	1.09	2.88	5.76	0.56	0.12	1.13
			25mm	1.7	40.9	158.8	44.5	108.0	127.0	M12	23.9	17.3	82.6	52.8	41.3	13.2	27.7	73.2	146.3	14.2
206 (GTMU)	1	4.2	1.61	6.25	1.75	4.25	5.00	1/2	0.94	0.81	3.37	2.08	1.75	0.52	1.09	2.88	5.76	0.56	0.12	1.13
			25mm	1.7	40.9	158.8	44.5	108.0	127.0	M12	23.9	20.6	85.6	52.8	44.5	13.2	27.7	73.2	146.3	14.2
207	1-3/16	5.1	1.62	6.50	1.75	4.68	5.44	1/2	0.94	0.71	3.75	2.38	1.88	0.54	1.08	2.91	5.82	0.56	0.12	1.14
	1-1/4	4.9	1.62	6.50	1.75	4.68	5.44	1/2	0.94	0.71	3.75	2.38	1.88	0.54	1.08	2.91	5.82	0.56	0.12	1.14
	30mm	2.2	41.1	165.1	44.5	118.9	138.2	M12	23.9	18.0	95.3	60.5	47.6	13.7	27.4	73.9	147.8	14.2	3.0	29.0
208	1-7/16	7.2	1.84	7.25	1.93	5.18	5.88	1/2	0.91	0.93	4.19	2.62	2.13	0.61	1.23	3.26	6.52	0.69	0.12	1.23
	35mm	2.7	46.7	184.2	49.0	131.6	149.4	M12	23.1	23.6	106.4	66.5	54.0	15.5	31.2	82.8	165.6	17.5	3.0	31.2
209	1-1/2	9.2	1.85	7.44	2.00	5.50	6.19	1/2	0.90	0.75	4.28	2.86	2.13	0.62	1.23	3.38	6.76	0.69	0.12	1.26
	40mm	3.1	47.0	189.0	50.8	139.7	157.2	M12	22.9	19.1	108.7	72.6	54.0	15.7	31.2	85.9	171.7	17.5	3.0	32.0
210	1-11/16	10.1	1.86	8.12	2.25	6.00	6.68	5/8	1.02	0.75	4.53	3.13	2.25	0.63	1.23	3.69	7.38	0.81	0.12	1.26
	1-3/4	10.1	1.86	8.12	2.25	6.00	6.68	5/8	1.02	0.75	4.53	3.13	2.25	0.63	1.23	3.69	7.38	0.81	0.12	1.26
	45mm	3.9	47.2	206.2	57.2	152.4	169.7	M16	25.9	19.1	115.1	79.5	57.2	16.0	31.2	93.7	187.5	20.6	3.0	32.0
210 (GTMU)	1-11/16	10.1	1.86	8.13	2.25	6.00	6.68	5/8	1.02	0.81	4.60	3.13	2.31	0.63	1.23	3.69	7.38	0.81	0.12	1.26
	1-3/4	10.1	1.86	8.13	2.25	6.00	6.68	5/8	1.02	0.81	4.60	3.13	2.31	0.63	1.23	3.69	7.38	0.81	0.12	1.26
	45mm	3.9	47.2	206.5	57.2	152.4	169.7	M16	25.9	20.6	116.8	79.5	58.7	16.0	31.2	93.7	187.5	20.6	3.0	32.0
211	1-15/16	12.3	1.93	8.88	2.30	6.38	7.44	5/8	1.21	0.88	4.96	3.43	2.50	0.67	1.26	3.94	7.88	0.81	0.12	1.32
	2	12.2	1.93	8.88	2.30	6.38	7.44	5/8	1.21	0.88	4.96	3.43	2.50	0.67	1.26	3.94	7.88	0.81	0.12	1.32
	50mm	5.6	49.0	225.6	58.4	162.1	189.0	M16	30.7	22.4	126.0	87.1	63.5	17.0	32.0	100.1	200.2	20.6	3.0	33.5
212	2-3/16	17.5	2.12	9.50	2.37	6.88	7.94	5/8	1.21	0.88	5.40	3.69	2.75	0.73	1.39	4.25	8.50	0.88	0.12	1.46
	2-1/4	17.5	2.12	9.50	2.37	6.88	7.94	5/8	1.21	0.88	5.40	3.69	2.75	0.73	1.39	4.25	8.50	0.88	0.12	1.46
	55mm	7.0	53.8	241.3	60.2	174.8	201.7	M16	30.7	22.4	137.2	93.7	69.9	18.5	35.3	108.0	215.9	22.4	3.0	37.1
214	2-7/16	19.4	2.39	10.75	2.69	7.50	8.50	3/4	1.32	0.94	6.09	4.00	3.00	0.84	1.55	4.88	9.76	0.94	0.12	1.58
	2-1/2	19.4	2.39	10.75	2.69	7.50	8.50	3/4	1.32	0.94	6.09	4.00	3.00	0.84	1.55	4.88	9.76	0.94	0.12	1.58
	60mm	9.0	60.7	273.1	68.3	190.5	215.9	M18	33.5	23.9	154.7	101.6	76.2	21.3	39.4	124.0	247.9	23.9	3.0	40.1
	65mm	8.9	60.7	273.1	68.3	190.5	215.9	M18	33.5	23.9	154.7	101.6	76.2	21.3	39.4	124.0	247.9	23.9	3.0	40.1
215	2-11/16	24.9	2.46	11.75	2.88	8.50	9.50	7/8	1.44	1.00	6.75	4.44	3.50	0.86	1.60	5.48	10.96	1.04	0.12	1.60
	70mm	10.1	62.5	298.5	73.2	215.9	241.3	M22	36.6	25.4	171.5	112.8	88.9	21.8	40.6	139.2	278.4	26.4	3.0	40.6
216	2-15/16	25.4	2.70	11.75	3.00	8.50	9.50	7/8	1.44	1.25	6.97	4.69	3.50	0.89	1.81	5.50	11.00	1.09	0.12	1.78
	3		2.70	11.75	3.00	8.50	9.50	7/8	1.44	1.25	6.97	4.69	3.50	0.89	1.81	5.50	11.00	1.09	0.12	1.78
	75mm	10.3	68.6	298.5	76.2	215.9	241.3	M22	36.6	31.8	177.0	119.1	88.9	22.6	46.0	139.7	279.4	27.7	3.0	45.2
218	3-7/16	34.9	2.80	14.00	3.38	10.32	11.62	7/8	1.59	1.31	8.00	5.19	4.00	0.96	1.84	6.60	13.20	1.19	0.12	1.81
	3-1/2		2.80	14.00	3.38	10.32	11.62	7/8	1.59	1.31	8.00	5.19	4.00	0.96	1.84	6.60	13.20	1.19	0.12	1.81
	85mm	14.1	71.1	355.6	85.9	262.1	295.1	M22	40.4	33.3	203.2	131.8	101.6	24.4	46.7	167.6	335.3	30.2	3.0	46.0

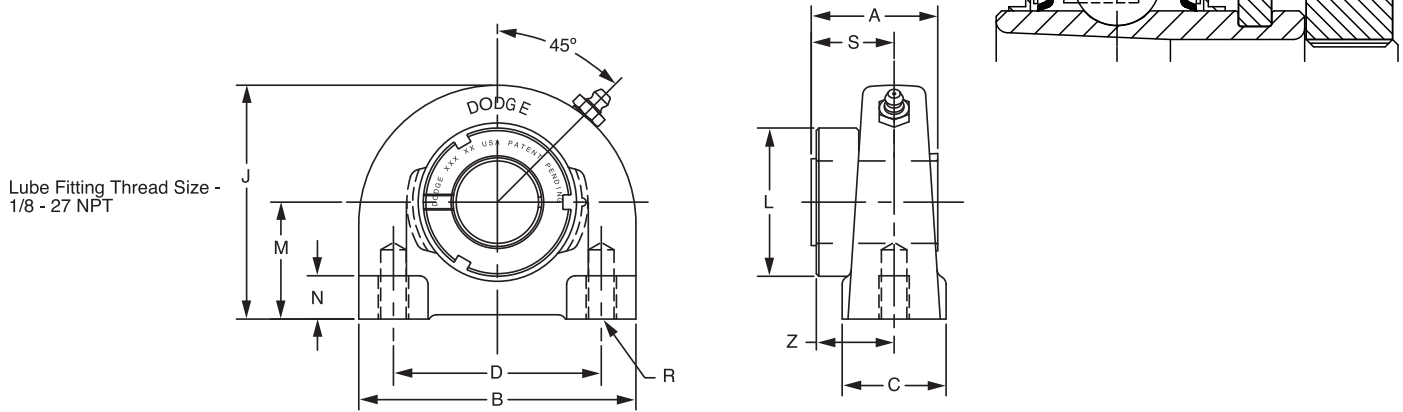
#R & S dimensions will vary slightly depending on true shaft diameter

@ Only 1 pillow block can be dowel pinned per shaft

Grip Tight[®] mounted ball bearings

Selection/Dimensions

Grip Tight mounted ball bearings
GT normal duty tapped base pillow blocks



Series	Shaft size	Complete unit		Unit without adapter sleeve & lock nut		Adapter sleeve & lock nut assembly	
		Part no.	Description	Part no.	Description	Part no.	Description
204	3/4	129276	TB-GT-012	129457	TB-GT-04	136522	AN-GT-04-012-D
	20mm	136365	TB-GT-20M	136383	TB-GT-04M	136553	AN-GT-04-20M-D
205	7/8	129148	TB-GT-014	129458	TB-GT-05	136590	AN-GT-05-014-D
	15/16	129277	TB-GT-015	129458	TB-GT-05	136523	AN-GT-05-015-D
	1	129278	TB-GT-100	129458	TB-GT-05	136524	AN-GT-05-100-D
	25mm	136366	TB-GT-25M	136384	TB-GT-05M	136554	AN-GT-05-25M-D
206	1-1/8	129279	TB-GT-102	129459	TB-GT-06	136525	AN-GT-06-102-D
	1-3/16	129280	TB-GT-103	129459	TB-GT-06	136526	AN-GT-06-103-D
	1-1/4	129281	TB-GT-104S	129459	TB-GT-06	136527	AN-GT-06-104S-D
	30mm	136367	TB-GT-30M	136385	TB-GT-06M	136555	AN-GT-06-30M-D
207	1-1/4	129282	TB-GT-104	129460	TB-GT-07	136528	AN-GT-07-104-D
	1-3/8	129283	TB-GT-106	129460	TB-GT-07	136591	AN-GT-07-106-D
	1-7/16	129284	TB-GT-107	129460	TB-GT-07	136529	AN-GT-07-107-D
	35mm	136368	TB-GT-35M	136386	TB-GT-07M	136556	AN-GT-07-35M-D
208	1-1/2	129285	TB-GT-108	129461	TB-GT-08	136530	AN-GT-08-108-D
	1-5/8	@	TB-GT-110	129461	TB-GT-08	136592	AN-GT-08-110-D
	40mm	136369	TB-GT-40M	136387	TB-GT-08M	136593	AN-GT-08-40M-D
209	1-5/8	129286	TB-GT-110L	129462	TB-GT-09	136531	AN-GT-09-110L-D
	1-11/16	129287	TB-GT-111	129462	TB-GT-09	136532	AN-GT-09-111-D
	1-3/4	129288	TB-GT-112	129462	TB-GT-09	136533	AN-GT-09-112-D
	45mm	136370	TB-GT-45M	136388	TB-GT-09M	136657	AN-GT-09-45M-D
210	1-15/16	129289	TB-GT-115	129463	TB-GT-10	136534	AN-GT-10-115-D
	2	129290	TB-GT-200	129463	TB-GT-10	136535	AN-GT-10-200-D
	50mm	136371	TB-GT-50M	136389	TB-GT-10M	136558	AN-GT-10-50M-D

@ Assemble to order

Grip Tight® mounted ball bearings

Selection/Dimensions

Grip Tight mounted ball bearings
GT normal duty tapped base pillow blocks

Series	Shaft size	Weight lb kg	A	B	C	D	J	L	M	N	R* UNC- thread	S#	Z
204	3/4	1.9	1.48	2.88	1.50	2.00	2.56	1.50	1.31	0.50	3/8-16	1.02	1.03
	20mm	0.9	37.6	73.2	38.1	50.8	65.0	38.1	33.4	12.7	M8x1.25	25.9	26.2
205	7/8	2.1	1.46	3.00	1.50	2.00	2.81	1.80	1.44	0.50	3/8-16	0.98	1.00
	15/16	2.0	1.46	3.00	1.50	2.00	2.81	1.80	1.44	0.50	3/8-16	0.98	1.00
	1	1.9	1.46	3.00	1.50	2.00	2.81	1.80	1.44	0.50	3/8-16	0.98	1.00
	25mm	1.0	37.1	76.2	38.1	50.8	71.4	45.7	36.5	12.7	M10x1.5	24.9	25.4
206	1-1/8	3.6	1.61	4.00	1.50	3.00	3.38	2.08	1.69	0.63	7/16-14	1.09	1.13
	1-3/16	3.5	1.61	4.00	1.50	3.00	3.38	2.08	1.69	0.63	7/16-14	1.09	1.13
	1-1/4	3.5	1.61	4.00	1.50	3.00	3.38	2.08	1.69	0.63	7/16-14	1.09	1.13
	30mm	1.7	40.9	101.6	38.1	76.2	85.9	52.8	42.9	16.0	M10x1.5	27.7	28.7
207	1-1/4	4.7	1.62	4.25	1.88	3.25	3.75	2.38	1.88	0.75	1/2-13	1.08	1.14
	1-3/8	4.7	1.62	4.25	1.88	3.25	3.75	2.38	1.88	0.75	1/2-13	1.08	1.14
	1-7/16	4.6	1.62	4.25	1.88	3.25	3.75	2.38	1.88	0.75	1/2-13	1.08	1.14
	35mm	2.30	41.1	108.0	47.8	82.6	95.3	60.5	47.6	19.1	M10x1.5	27.4	29.0
208	1-1/2	6.20	1.84	4.63	1.88	3.50	3.94	2.62	1.94	0.75	1/2-13	1.23	1.23
	1-5/8	6.1	1.84	4.63	1.88	3.50	3.94	2.62	1.94	0.75	1/2-13	1.23	1.23
	40mm	3.0	46.7	117.6	47.8	88.9	100.1	66.5	49.2	19.1	M12x1.75	31.2	31.2
209	1-5/8	6.7	1.85	5.00	2.00	3.75	4.25	2.86	2.13	0.75	1/2-13	1.23	1.26
	1-11/16	6.7	1.85	5.00	2.00	3.75	4.25	2.86	2.13	0.75	1/2-13	1.23	1.26
	1-3/4	6.6	1.85	5.00	2.00	3.75	4.25	2.86	2.13	0.75	1/2-13	1.23	1.26
	45mm	3.2	47.0	127.0	50.8	95.3	108.0	72.6	54.0	19.1	M12x1.75	31.2	32.0
210	1-15/16	8.6	1.86	5.50	2.00	4.00	4.63	3.13	2.25	0.88	5/8-11	1.23	1.26
	2	8.5	1.86	5.50	2.00	4.00	4.63	3.13	2.25	0.88	5/8-11	1.23	1.26
	50mm	4.2	47.2	139.7	50.8	101.6	117.6	79.5	57.2	22.4	M16x2	31.2	32.0

#S dimension will vary slightly depending on true shaft diameter

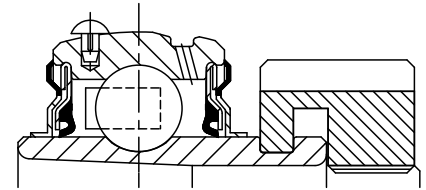
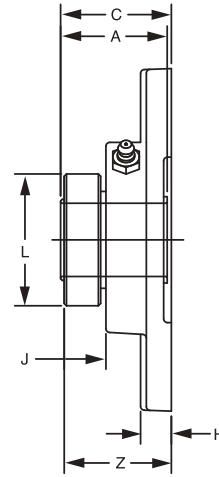
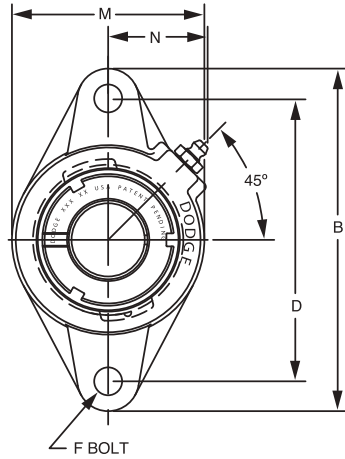
* Mounting surface bolt holes on all Grip Tight Tapped Base Units must have at least 1/16. bolt clearance

Grip Tight® mounted ball bearings

Selection/Dimensions

Grip Tight mounted ball bearings GT normal duty 2-bolt flange bearings

Lube Fitting Thread Size -
203 Series - 1/4 - 28 Tapered Thread
204 Series and Larger - 1/8 - 27 NPT



Series	Shaft size	Complete unit		Unit without adapter sleeve & lock nut		Adapter sleeve & lock nut assembly	
		Part no.	Description	Part no.	Description	Part no.	Description
203	1/2	129301	F2B-GT-008	129490	F2B-GT-03	136588	AN-GT-03-008-D
	5/8	129302	F2B-GT-010	129490	F2B-GT-03	136521	AN-GT-03-010-D
	17mm	129321	F2B-GT-17M	129490	F2B-GT-03	136589	AN-GT-03-17M-D
204	3/4	129303	F2B-GT-012	129491	F2B-GT-04	136522	AN-GT-04-012-D
	20mm	129322	F2B-GT-20M	129491	F2B-GT-04	136553	AN-GT-04-20M-D
205	7/8	129304	F2B-GT-014	129492	F2B-GT-05	136590	AN-GT-05-014-D
	15/16	129305	F2B-GT-015	129492	F2B-GT-05	136523	AN-GT-05-015-D
	1	129306	F2B-GT-100	129492	F2B-GT-05	136524	AN-GT-05-100-D
	25mm	129323	F2B-GT-25M	129492	F2B-GT-05	136554	AN-GT-05-25M-D
206	1-1/8	129307	F2B-GT-102	129493	F2B-GT-06	136525	AN-GT-06-102-D
	1-3/16	129308	F2B-GT-103	129493	F2B-GT-06	136526	AN-GT-06-103-D
	1-1/4	129309	F2B-GT-104S	129493	F2B-GT-06	136527	AN-GT-06-104S-D
	30mm	129324	F2B-GT-30M	129493	F2B-GT-06	136555	AN-GT-06-30M-D
207	1-1/4	129310	F2B-GT-104	129494	F2B-GT-07	136528	AN-GT-07-104-D
	1-3/8	129311	F2B-GT-106	129494	F2B-GT-07	136591	AN-GT-07-106-D
	1-7/16	129312	F2B-GT-107	129494	F2B-GT-07	136529	AN-GT-07-107-D
	35mm	129325	F2B-GT-35M	129494	F2B-GT-07	136556	AN-GT-07-35M-D
208	1-1/2	129313	F2B-GT-108	129495	F2B-GT-08	136530	AN-GT-08-108-D
	1-5/8	129373	F2B-GT-110	129495	F2B-GT-08	136592	AN-GT-01-110-D
	40mm	129326	F2B-GT-40M	129495	F2B-GT-08	136593	AN-GT-08-40M-D
209	1-5/8	129314	F2B-GT-110L	129496	F2B-GT-09	136531	AN-GT-09-110L-D
	1-11/16	129315	F2B-GT-111	129496	F2B-GT-09	136532	AN-GT-09-111-D
	1-3/4	129316	F2B-GT-112	129496	F2B-GT-09	136533	AN-GT-09-112-D
	45mm	129327	F2B-GT-45M	129496	F2B-GT-09	136557	AN-GT-09-45M-D
210	1-15/16	129317	F2B-GT-115	129497	F2B-GT-10	136534	AN-GT-10-115-D
	2	129318	F2B-GT-200	129497	F2B-GT-10	136535	AN-GT-10-200-D
	50mm	129328	F2B-GT-50M	129497	F2B-GT-10	136558	AN-GT-10-50M-D
211	2	129337	F2B-GTM-200	129498	F2B-GT-11	136600	AN-GTM-11-200-D
	2-3/16	129319	F2B-GT-203	129498	F2B-GT-11	136536	AN-GT-11-203-D
	2-1/4	129378	F2B-GT-204	129498	F2B-GT-11	136537	AN-GT-11-204-D
	55mm	129329	F2B-GT-55M	129498	F2B-GT-11	136559	AN-GT-11-55M-D
212	2-1/4	064472	F2B-GTM-204	129078	F2B-GT-12	136601	AN-GTM-12-204-D
	2-7/16	064211	F2B-GT-207	129078	F2B-GT-12	136538	AN-GT-12-207-D
	60mm	068861	F2B-GT-60M	129078	F2B-GT-12	136594	AN-GT-12-60M-D

@ Assembled to order.

Grip Tight® mounted ball bearings

Selection/Dimensions

Grip Tight mounted ball bearings
GT normal duty 2-bolt flange bearings

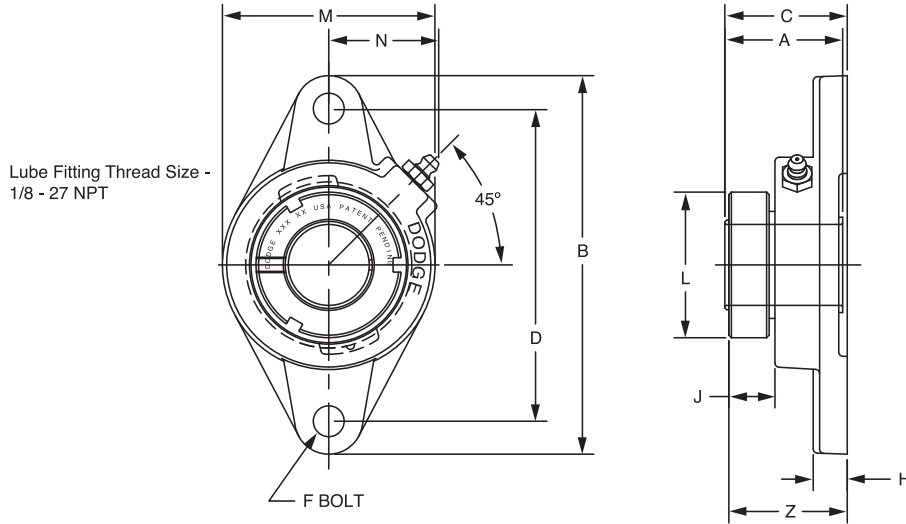
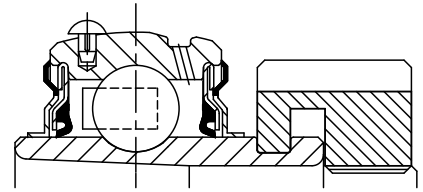
Series	Shaft size	Weight lb kg	A	B	C#	D	F Bolt Dia.	H	J	L	M	N	Z
203	1/2	0.9	1.29	3.88	1.42	3.00	3/8	0.38	0.58	1.40	2.13	1.13	1.43
	5/8	0.8	1.29	3.88	1.42	3.00	3/8	0.38	0.58	1.40	2.13	1.13	1.43
	17mm	0.3	32.8	98.6	36.1	76.2	M10	9.7	14.7	35.6	54.1	28.7	36.3
204	3/4	1.7	1.48	4.41	1.63	3.53	3/8	0.50	0.65	1.50	2.38	1.50	1.64
	20mm	0.6	37.6	112.0	41.4	89.7	M10	12.7	16.5	38.1	60.5	38.1	41.7
205	7/8	2.0	1.46	4.88	1.57	3.89	7/16	0.52	0.63	1.80	2.75	1.44	1.59
	15/16	1.9	1.46	4.88	1.57	3.89	7/16	0.52	0.63	1.80	2.75	1.44	1.59
	1	1.8	1.46	4.88	1.57	3.89	7/16	0.52	0.63	1.80	2.75	1.44	1.59
	25mm	0.8	37.1	124.0	39.9	98.8	M10	13.2	16.0	45.7	69.9	36.6	40.4
206	1-1/8	2.8	1.61	5.56	1.71	4.59	7/16	0.50	0.68	2.08	3.13	1.56	1.74
	1-3/16	2.7	1.61	5.56	1.71	4.59	7/16	0.50	0.68	2.08	3.13	1.56	1.74
	1-1/4	2.5	1.61	5.56	1.71	4.59	7/16	0.50	0.68	2.08	3.13	1.56	1.74
	30mm	1.3	40.9	141.2	43.4	116.7	M12	12.7	17.3	52.8	79.5	39.6	44.2
207	1-1/4	4.3	1.62	6.13	1.79	5.12	1/2	0.56	0.63	2.38	3.75	1.84	1.85
	1-3/8	4.1	1.62	6.13	1.79	5.12	1/2	0.56	0.63	2.38	3.75	1.84	1.85
	1-7/16	3.9	1.62	6.13	1.79	5.12	1/2	0.56	0.63	2.38	3.75	1.84	1.85
	35mm	1.9	41.1	155.7	45.5	130.0	M12	14.2	16.0	60.5	95.3	46.7	47.0
208	1-1/2	5.0	1.84	6.75	2.01	5.66	1/2	0.56	0.67	2.62	4.13	1.83	2.02
	1-5/8	4.8	1.84	6.75	2.01	5.66	1/2	0.56	0.67	2.62	4.13	1.83	2.02
	40mm	2.3	46.7	171.5	51.1	143.8	M12	14.2	17.0	66.5	104.9	46.5	51.3
209	1-5/8	6.2	1.85	7.06	2.03	5.84	1/2	0.63	0.66	2.86	4.38	1.91	2.06
	1-11/16	6.10	1.85	7.06	2.03	5.84	1/2	0.63	0.66	2.86	4.38	1.91	2.06
	1-3/4	6.0	1.85	7.06	2.03	5.84	1/2	0.63	0.66	2.86	4.38	1.91	2.06
	45mm	2.7	47.0	179.3	51.6	148.3	M14	16.0	16.8	72.6	111.3	48.5	52.3
210	1-15/16	6.9	1.86	7.44	2.07	6.19	1/2	0.63	0.63	3.13	4.56	2.03	2.10
	2	6.8	1.86	7.44	2.07	6.19	1/2	0.63	0.63	3.13	4.56	2.03	2.10
	50mm	3.2	47.2	189.0	52.6	157.2	M16	16.0	16.0	79.5	115.8	51.6	53.3
211	2	8.0	1.93	8.63	2.19	7.25	5/8	0.67	0.65	3.43	5.25	2.27	2.25
	2-3/16	7.9	1.93	8.63	2.19	7.25	5/8	0.67	0.65	3.43	5.25	2.27	2.25
	2-1/4	7.8	1.93	8.63	2.19	7.25	5/8	0.67	0.65	3.43	5.25	2.27	2.25
	55mm	3.70	49.0	219.2	55.6	184.2	M16	17.0	16.5	87.1	133.4	57.7	57.2
212	2-1/4	9.3	2.12	9.81	2.36	7.96	5/8	0.81	0.71	3.69	5.50	2.47	2.42
	2-7/16	9.2	2.12	9.81	2.36	7.96	5/8	0.81	0.71	3.69	5.50	2.47	2.42
	60mm	4.5	53.8	249.2	59.9	202.1	M16	20.6	18.0	93.7	139.7	62.7	61.5

@ Assembled to order.

Grip Tight[®] mounted ball bearings

Selection/Dimensions

Grip Tight mounted ball bearings
GTM medium duty 2-bolt flange bearings



Series	Shaft size	Complete unit		Unit without adapter sleeve & lock nut		Adapter sleeve & lock nut assembly	
		Part no.	Description	Part no.	Description	Part no.	Description
205	3/4	129369	F2B-GTM-012	129492	F2B-GT-05	136597	AN-GTM-05-012-D
206	1	129330	F2B-GTM-100	129493	F2B-GT-06	136541	AN-GTM-06-100-D
	25mm	136268	F2B-GTM-25M	129493	F2B-GT-06	136561	AN-GTM-06-25M-D
207	1-3/16	129331	F2B-GTM-103	129494	F2B-GT-07	136542	AN-GTM-07-103-D
	1-1/4	129310	F2B-GT-104	129494	F2B-GT-07	136528	AN-GT-07-104-D
	30mm	136269	F2B-GTM-30M	129494	F2B-GT-07	136562	AN-GTM-07-30M-D
208	1-7/16	129332	F2B-GTM-107	129495	F2B-GT-08	136543	AN-GTM-08-107-D
	35mm	136270	F2B-GTM-35M	129495	F2B-GT-08	136563	AN-GTM-08-35M-D
209	1-1/2	129333	F2B-GTM-108	129496	F2B-GT-09	136598	AN-GTM-09-108-D
	1-5/8	129314	F2B-GT-110L	129496	F2B-GT-09	136531	AN-GT-09-110L-D
	40mm	136271	F2B-GTM-40M	129496	F2B-GT-09	136564	AN-GTM-09-40M-D
210	1-11/16	129334	F2B-GTM-111	129497	F2B-GT-10	136544	AN-GTM-10-111-D
	1-3/4	129335	F2B-GTM-112	129497	F2B-GT-10	136599	AN-GTM-10-112-D
	45mm	136272	F2B-GTM-405M	129497	F2B-GT-10	136565	AN-GTM-10-45M-D
211	1-15/16	129336	F2B-GTM-115	129498	F2B-GT-11	136545	AN-GTM-11-115-D
	2	129337	F2B-GTM-200	129498	F2B-GT-11	136600	AN-GTM-11-200-D
	50mm	136273	F2B-GTM-50M	129498	F2B-GT-11	136566	AN-GTM-11-50M-D
212	2-3/16	@	F2B-GTM-203	129078	F2B-GT-12	136546	AN-GTM-12-203-D
	2-1/4	064472	F2B-GTM-204	129078	F2B-GT-12	136601	AN-GTM-12-204-D
	55mm	136274	F2B-GTM-55M	129078	F2B-GT-12	136567	AN-GTM-12-55M-D

@ Assembled to order.

Grip Tight® mounted ball bearings

Selection/Dimensions

Grip Tight mounted ball bearings
GTM medium duty 2-bolt flange bearings

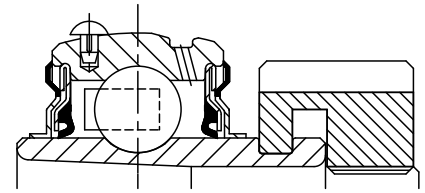
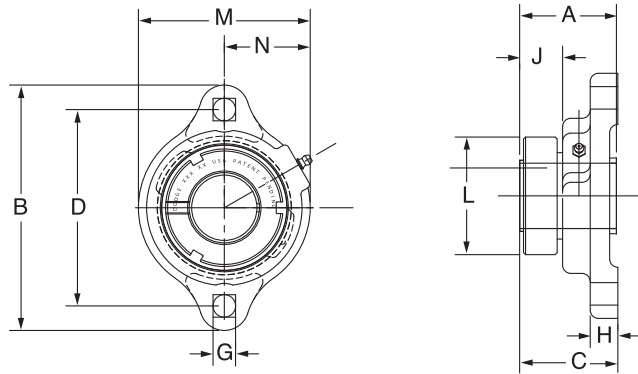
Series	Shaft size	Weight lb kg	A	B	C#	D	F bolt dia.	H	J	L	M	N	Z
205	3/4	2.1	1.46	4.88	1.57	3.89	7/16	0.52	0.63	1.80	2.75	1.44	1.59
	3/4	2.1	37.1	124.0	39.9	98.8	M10	13.2	16.0	45.7	69.9	36.6	40.4
206	1	2.9	1.61	5.56	1.71	4.59	7/16	0.50	0.68	2.08	3.13	1.56	1.74
	25mm	1.4	40.9	141.2	43.4	116.7	M12	12.7	17.3	52.8	79.5	39.6	44.2
207	1-3/16	4.4	1.62	6.13	1.79	5.12	1/2	0.56	0.63	2.38	3.75	1.84	1.85
	1-1/4	4.3	1.62	6.13	1.79	5.12	1/2	0.56	0.63	2.38	3.75	1.84	1.85
	30mm	2.1	41.1	155.7	45.5	130.0	M12	14.2	16.0	60.5	95.3	46.7	47.0
208	1-7/16	5.1	1.84	6.75	2.01	5.66	1/2	0.56	0.67	2.62	4.13	1.83	2.02
	35mm	2.5	46.7	171.5	51.1	143.8	M12	14.2	17.0	66.5	104.9	46.5	51.3
209	1-1/2	6.3	1.85	7.06	2.03	5.84	1/2	0.63	0.66	2.86	4.38	1.91	2.06
	1-5/8	6.2	1.85	7.06	2.03	5.84	1/2	0.63	0.66	2.86	4.38	1.91	2.06
	40mm	3.1	47.0	179.3	51.6	148.3	M14	16.0	16.8	72.6	111.3	48.5	52.3
210	1-11/16	7.0	1.86	7.44	2.07	6.19	1/2	0.63	0.63	3.13	4.56	2.03	2.10
	1-3/4	6.9	1.86	7.44	2.07	6.19	1/2	0.63	0.63	3.13	4.56	2.03	2.10
	45mm	3.4	47.2	189.0	52.6	157.2	M16	16.0	16.0	79.5	115.8	51.6	53.3
211	1-15/16	8.1	1.93	8.63	2.19	7.25	5/8	0.67	0.65	3.43	5.25	2.27	2.25
	2	8.0	1.93	8.63	2.19	7.25	5/8	0.67	0.65	3.43	5.25	2.27	2.25
	50mm	3.90	49.0	219.2	55.6	184.2	M16	17.0	16.5	87.1	133.4	57.7	57.2
212	2-3/16	9.4	2.12	9.81	2.36	7.96	5/8	0.81	0.71	3.69	5.50	2.47	2.42
	2-1/4	9.3	2.12	9.81	2.36	7.96	5/8	0.81	0.71	3.69	5.50	2.47	2.42
	55mm	4.6	53.8	249.2	59.9	202.1	M16	20.6	18.0	93.7	139.7	62.7	61.5

#C dimension will vary slightly depending on true shaft diameter.

Grip Tight® mounted ball bearings

Selection/Dimensions

Grip Tight mounted ball bearings GT LFT normal duty 2-bolt flange bearings



Lube fitting thread size -
203 - 204 Series - 1/4-28 tapered thread
205 - 207 Series - 1/8 - 27 NPT

Series	Shaft size	Complete unit		Unit without adapter & nut		Adapter & Nut Assembly	
		Part no.	Description	Part no.	Description	Part no.	Description
203	1/2	136331	LFT-GT-008	136355	LFT-GT-03	136588	AN-GT-03-008-D
	5/8	136332	LFT-GT-010	136355	LFT-GT-03	136521	AN-GT-03-010-D
	17mm	@	LFT-GT-17M	136355	LFT-GT-03	136589	AN-GT-03-17M-D
204	3/4	136333	LFT-GT-012	136356	LFT-GT-04	136522	AN-GT-04-012-D
	20mm	068878	LFT-GT-20M	136356	LFT-GT-04	136553	AN-GT-04-20M-D
205	7/8	136334	LFT-GT-014	136357	LFT-GT-05	136590	AN-GT-05-014-D
	15/16	136335	LFT-GT-015	136357	LFT-GT-05	136523	AN-GT-05-015-D
	1	136336	LFT-GT-100	136357	LFT-GT-05	136524	AN-GT-05-100-D
206	25mm	068685	LFT-GT-25M	136357	LFT-GT-05	136554	AN-GT-05-25M-D
	1-1/8	136337	LFT-GT-102	136358	LFT-GT-06	136525	AN-GT-06-102-D
	1-3/16	136338	LFT-GT-103	136358	LFT-GT-06	136526	AN-GT-06-103-D
	1-1/4	136339	LFT-GT-104S	136358	LFT-GT-06	136527	AN-GT-06-104S-D
207	30mm	075489	LFT-GT-30M	136358	LFT-GT-06	136555	AN-GT-06-30M-D
	1-1/4	136340	LFT-GT-104	136359	LFT-GT-07	136528	AN-GT-07-104-D
	1-3/8	136341	LFT-GT-106	136359	LFT-GT-07	136591	AN-GT-07-106-D
	1-7/16	136342	LFT-GT-107	136359	LFT-GT-07	136529	AN-GT-07-107-D
	35mm	@	LFT-GT-35M	136359	LFT-GT-07	136556	AN-GT-07-35M-D

@ Assembled to order.

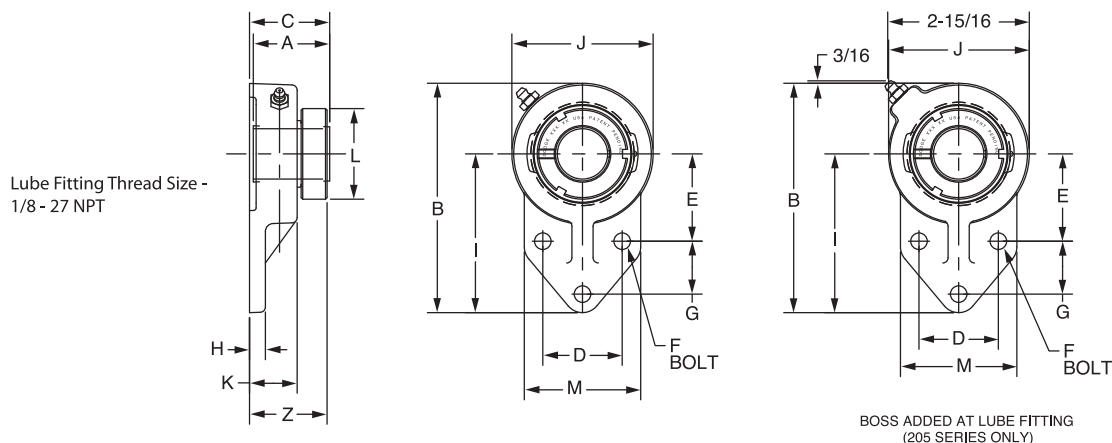
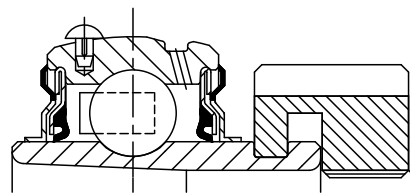
Series	Shaft size	Weight lb kg	A	B	C#	D	G	H	J	L	M	N*
203	1/2	0.70	1.29	3.19	1.30	2.50	0.28	0.38	0.58	1.40	2.13	1.23
	5/8	0.65	1.29	3.19	1.30	2.50	0.28	0.38	0.58	1.40	2.13	1.23
	17mm	0.31	32.8	81.0	33.0	63.5	7.1	9.7	14.7	35.6	54.1	31.2
204	3/4	0.91	1.48	3.56	1.51	2.81	0.34	0.42	0.66	1.50	2.38	1.34
	20mm	0.40	37.6	90.4	38.4	71.4	8.6	10.7	16.8	38.1	60.5	34.0
205	7/8	1.07	1.46	3.75	1.46	3.00	0.34	0.42	0.58	1.80	2.63	1.44
	15/16	1.02	1.46	3.75	1.46	3.00	0.34	0.42	0.58	1.80	2.63	1.44
	1	0.97	1.46	3.75	1.46	3.00	0.34	0.42	0.58	1.80	2.63	1.44
206	25mm	0.43	37.1	95.3	37.1	76.2	8.6	10.7	14.7	45.7	66.8	36.6
	1-1/8	1.63	1.61	4.44	1.64	3.56	0.41	0.47	0.65	2.08	3.25	1.72
	1-3/16	1.53	1.61	4.44	1.64	3.56	0.41	0.47	0.65	2.08	3.25	1.72
	1-1/4	1.48	1.61	4.44	1.64	3.56	0.41	0.47	0.65	2.08	3.25	1.72
207	30mm	0.67	40.9	112.8	41.7	90.4	10.4	11.9	16.5	52.8	82.6	43.7
	1-1/4	1.99	1.62	4.82	1.63	3.94	0.41	0.50	0.57	2.38	3.50	1.83
	1-3/8	1.89	1.62	4.82	1.63	3.94	0.41	0.50	0.57	2.38	3.50	1.83
	1-7/16	1.84	1.62	4.82	1.63	3.94	0.41	0.50	0.57	2.38	3.50	1.83
	35mm	0.83	41.1	122.4	41.4	100.1	10.4	12.7	14.5	60.5	88.9	46.5

#C dimension will vary slightly depending on true shaft diameter

Grip Tight® mounted ball bearings

Selection/Dimensions

Grip Tight mounted ball bearings
GT normal duty flanged bracket bearings



Series	Shaft size	Complete unit		Unit without adapter sleeve & lock nut		Adapter sleeve & lock nut assembly	
		Part no.	Description	Part no.	Description	Part no.	Description
204	3/4	129615	FB-GT-012	129511	FB-GT-04	136522	AN-GT-04-012-D
205	7/8	129616	FB-GT-014	129512	FB-GT-05	136590	AN-GT-05-014-D
	15/16	129617	FB-GT-015	129512	FB-GT-05	136523	AN-GT-05-015-D
	1	129618	FB-GT-100	129512	FB-GT-05	136524	AN-GT-05-100-D
206	1-1/8	129619	FB-GT-102	129513	FB-GT-06	136525	AN-GT-06-102-D
	1-3/16	129620	FB-GT-103	129513	FB-GT-06	136526	AN-GT-06-103-D
	1-1/4	129621	FB-GT-104S	129513	FB-GT-06	136527	AN-GT-06-104S-D
207	1-1/4	129622	FB-GT-104	129514	FB-GT-07	136528	AN-GT-07-104-D
	1-3/8	129623	FB-GT-106	129514	FB-GT-07	136591	AN-GT-07-106-D
	1-7/16	129624	FB-GT-107	129514	FB-GT-07	136529	AN-GT-07-107-D
210	1-15/16	129625	FB-GT-115	129515	FB-GT-10	136534	AN-GT-10-115-D
	2	129626	FB-GT-200	129515	FB-GT-10	136535	AN-GT-10-200-D

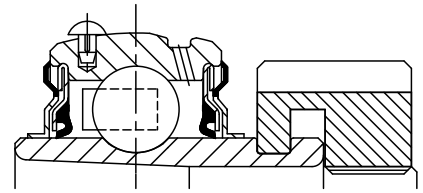
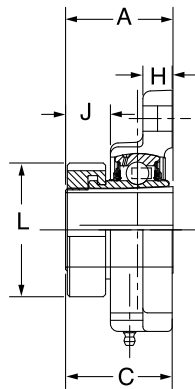
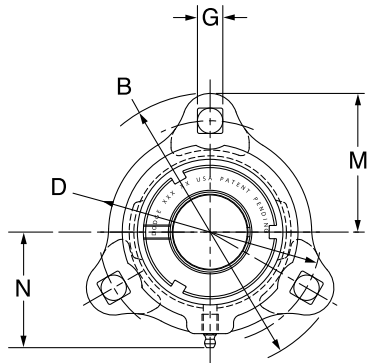
Series	Shaft size	Weight lb	A	B	C#	D	E	F bolt dia.	G	H	I	J	K	L	M	Z
204	3/4	1.3	1.46	4.75	1.71	1.63	1.81	3/8	1.13	0.38	3.38	2.75	1.11	1.80	2.50	1.70
205	7/8	2.3	1.46	4.75	1.71	1.63	1.81	3/8	1.13	0.38	3.38	2.75	1.11	1.80	2.50	1.70
	15/16	2.3	1.46	4.75	1.71	1.63	1.81	3/8	1.13	0.38	3.38	2.75	1.11	1.80	2.50	1.70
	1	2.3	1.46	4.75	1.71	1.63	1.81	3/8	1.13	0.38	3.38	2.75	1.11	1.80	2.50	1.70
206	1-1/8	3.2	1.61	5.38	1.80	1.88	2.06	3/8	1.25	0.38	3.75	3.25	1.13	2.08	2.75	1.83
	1-3/16	3.2	1.61	5.38	1.80	1.88	2.06	3/8	1.25	0.38	3.75	3.25	1.13	2.08	2.75	1.83
	1-1/4	3.1	1.61	5.38	1.80	1.88	2.06	3/8	1.25	0.38	3.75	3.25	1.13	2.08	2.75	1.83
207	1-1/4	3.4	1.62	6.13	1.91	2.00	2.37	1/2	1.25	0.50	4.25	3.75	1.31	2.38	3.25	1.97
	1-3/8	3.4	1.62	6.13	1.91	2.00	2.37	1/2	1.25	0.50	4.25	3.75	1.31	2.38	3.25	1.97
	1-7/16	3.4	1.62	6.13	1.91	2.00	2.37	1/2	1.25	0.50	4.25	3.75	1.31	2.38	3.25	1.97
210	1-15/16	5.7	1.86	7.50	2.11	2.75	2.94	1/2	1.63	0.50	5.19	4.63	1.50	3.13	4.00	2.14
	2	5.6	1.86	7.50	2.11	2.75	2.94	1/2	1.63	0.50	5.19	4.63	1.50	3.13	4.00	2.14

#C dimension will vary slightly depending on true shaft diameter.

Grip Tight[®] mounted ball bearings

Selection/Dimensions

Grip Tight mounted ball bearings GT LF normal duty 3-bolt flange bearings



Lube fitting thread size -
203 - 204 Series - 1/4-28 tapered thread
205 - 207 Series - 1/8 - 27 NPT

Series	Shaft size	Complete unit		Unit without adapter sleeve & lock nut		Adapter sleeve & lock nut assembly	
		Part no.	Description	Part no.	Description	Part no.	Description
203	1/2	136343	LF-GT-008	136360	LF-GT-03	136588	AN-GT-03-008-D
	5/8	136344	LF-GT-010	136360	LF-GT-03	136521	AN-GT-03-010-D
	17mm	@	LF-GT-17M	136360	LF-GT-03	136589	AN-GT-03-17M-D
204	3/4	136345	LF-GT-012	136361	LF-GT-04	136522	AN-GT-04-012-D
	20mm	074017	LF-GT-20M	136361	LF-GT-04	136553	AN-GT-04-20M-D
205	7/8	136346	LF-GT-014	136362	LF-GT-05	136590	AN-GT-05-014-D
	15/16	136347	LF-GT-015	136362	LF-GT-05	136523	AN-GT-05-015-D
	1	136348	LF-GT-100	136362	LF-GT-05	136524	AN-GT-05-100-D
206	25mm	@	LF-GT-25M	136362	LF-GT-05	136554	AN-GT-05-25M-D
	1-1/8	136349	LF-GT-102	136363	LF-GT-06	136525	AN-GT-06-102-D
	1-3/16	136350	LF-GT-103	136363	LF-GT-06	136526	AN-GT-06-103-D
	1-1/4	136351	LF-GT-104S	136363	LF-GT-06	136527	AN-GT-06-104S-D
207	30mm	@	LF-GT-30M	136363	LF-GT-06	136555	AN-GT-06-30M-D
	1-1/4	136352	LF-GT-104	136364	LF-GT-07	136528	AN-GT-07-104-D
	1-3/8	136353	LF-GT-106	136364	LF-GT-07	136591	AN-GT-07-106-D
	1-7/16	136354	LF-GT-107	136364	LF-GT-07	136529	AN-GT-07-107-D
	35mm	@	LF-GT-35M	136364	LF-GT-07	136556	AN-GT-07-35M-D

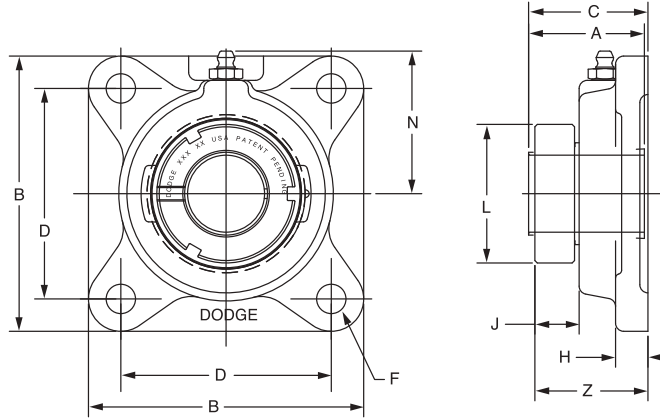
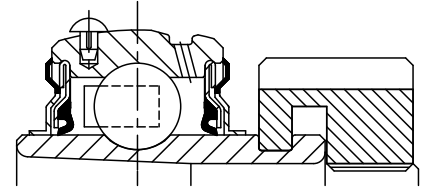
Series	Shaft size	Weight lb kg	A	B	C#	D	G	H	J	L	M	N*
203	1/2	0.75	1.29	3.19	1.30	2.50	0.28	0.38	0.58	1.40	1.59	1.84
	5/8	0.70	1.29	3.19	1.30	2.50	0.28	0.38	0.58	1.40	1.59	1.84
	17mm	0.33	32.8	81.0	33.0	63.5	7.1	9.7	14.7	35.6	40.4	46.7
204	3/4	0.95	1.48	3.56	1.51	2.81	0.34	0.42	0.66	1.50	1.78	1.56
	20mm	0.42	37.6	90.4	38.4	71.4	8.6	10.7	16.8	38.1	45.2	39.6
205	7/8	1.22	1.46	3.75	1.46	3.00	0.34	0.42	0.58	1.80	1.88	1.70
	15/16	1.17	1.46	3.75	1.46	3.00	0.34	0.42	0.58	1.80	1.88	1.70
	1	1.12	1.46	3.75	1.46	3.00	0.34	0.42	0.58	1.80	1.88	1.70
206	25mm	0.52	37.1	95.3	37.1	76.2	8.6	10.7	14.7	45.7	47.8	43.2
	1-1/8	1.78	1.61	4.44	1.64	3.56	0.41	0.47	0.65	2.08	2.22	2.02
	1-3/16	1.68	1.61	4.44	1.64	3.56	0.41	0.47	0.65	2.08	2.22	2.02
	1-1/4	1.63	1.61	4.44	1.64	3.56	0.41	0.47	0.65	2.08	2.22	2.02
207	30mm	0.74	40.9	112.8	41.7	90.4	10.4	11.9	16.5	52.8	56.4	51.3
	1-1/4	2.24	1.62	4.81	1.63	3.94	0.41	0.50	0.57	2.38	2.41	2.14
	1-3/8	2.14	1.62	4.81	1.63	3.94	0.41	0.50	0.57	2.38	2.41	2.14
	1-7/16	2.09	1.62	4.81	1.63	3.94	0.41	0.50	0.57	2.38	2.41	2.14
	35mm	0.95	41.1	122.2	41.4	100.1	10.4	12.7	14.5	60.5	61.2	54.4

C dimension will vary slightly depending on true shaft diameter

Grip Tight® mounted ball bearings

Selection/Dimensions

Grip Tight mounted ball bearings
GT normal duty 4-bolt flange bearings



Lube Fitting Thread Size -
203 Series - 1/4-28 Tapered Thread
204 Series and Larger - 1/8-27 NPT

Series	Shaft size	Complete unit		Unit without adapter sleeve & lock nut		Adapter sleeve & lock nut assembly	
		Part no.	Description	Part no.	Description	Part no.	Description
203	1/2	129637	F4B-GT-008	129464	F4B-GT-03	136588	AN-GT-03-008-D
	5/8	129638	F4B-GT-010	129464	F4B-GT-03	136521	AN-GT-03-010-D
	17mm	129667	F4B-GT-17M	129464	F4B-GT-03	136589	AN-GT-03-17M-D
204	3/4	129639	F4B-GT-012	129465	F4B-GT-04	136522	AN-GT-04-012-D
	20mm	129668	F4B-GT-20M	129465	F4B-GT-04	136553	AN-GT-04-20M-D
205	7/8	129640	F4B-GT-014	129466	F4B-GT-05	136590	AN-GT-05-014-D
	15/16	129641	F4B-GT-015	129466	F4B-GT-05	136523	AN-GT-05-015-D
	1	129642	F4B-GT-100	129466	F4B-GT-05	136524	AN-GT-05-100-D
206	25mm	129669	F4B-GT-25M	129466	F4B-GT-05	136554	AN-GT-05-25M-D
	1-1/8	129643	F4B-GT-102	129467	F4B-GT-06	136525	AN-GT-06-102-D
	1-3/16	129644	F4B-GT-103	129467	F4B-GT-06	136526	AN-GT-06-103-D
	1-1/4	129645	F4B-GT-104S	129467	F4B-GT-06	136527	AN-GT-06-104S-D
207	30mm	129670	F4B-GT-30M	129467	F4B-GT-06	136555	AN-GT-06-30M-D
	1-1/4	129646	F4B-GT-104	129468	F4B-GT-07	136528	AN-GT-07-104-D
	1-3/8	129647	F4B-GT-106	129468	F4B-GT-07	136591	AN-GT-07-106-D
	1-7/16	129648	F4B-GT-107	129468	F4B-GT-07	136529	AN-GT-07-107-D
	35mm	129671	F4B-GT-35M	129468	F4B-GT-07	136556	AN-GT-07-35M-D

@Assembled to order

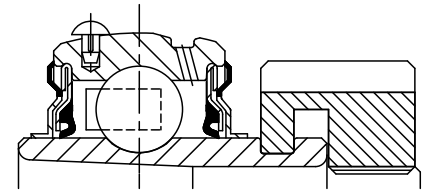
Series	Shaft size	Weight lb kg	A	B	C#	D	F bolt dia.	H	J	L	N	Z
203	1/2	1.4	1.29	3.00	1.42	2.13	3/8	0.44	0.58	1.40	1.69	1.43
	5/8	1.3	1.29	3.00	1.42	2.13	3/8	0.44	0.58	1.40	1.69	1.43
	17mm	0.6	32.8	76.2	36.1	54.0	M10	11.2	14.7	35.6	42.9	36.3
204	3/4	1.7	1.48	3.38	1.63	2.5	3/8	0.44	0.65	1.50	1.94	1.64
	20mm	0.8	37.6	85.9	41.4	63.5	M10	11.2	16.5	38.1	49.3	41.7
205	7/8	2.2	1.46	3.75	1.57	2.75	7/16	0.50	0.63	1.80	2.06	1.59
	15/16	2.2	1.46	3.75	1.57	2.75	7/16	0.50	0.63	1.80	2.06	1.59
	1	2.2	1.46	3.75	1.57	2.75	7/16	0.50	0.63	1.80	2.06	1.59
206	25mm	1.0	37.1	95.3	39.9	69.9	M10	12.7	16.0	45.7	52.3	40.4
	1-1/8	3.8	1.61	4.25	1.71	3.25	7/16	0.50	0.68	2.08	2.19	1.74
	1-3/16	3.7	1.61	4.25	1.71	3.25	7/16	0.50	0.68	2.08	2.19	1.74
	1-1/4	3.7	1.61	4.25	1.71	3.25	7/16	0.50	0.68	2.08	2.19	1.74
207	30mm	1.7	40.9	108.0	43.4	82.6	M10	12.7	17.3	52.8	55.6	44.2
	1-1/4	4.4	1.62	4.75	1.79	3.63	1/2	0.56	0.63	2.38	2.44	1.85
	1-3/8	4.4	1.62	4.75	1.79	3.63	1/2	0.56	0.63	2.38	2.44	1.85
	1-7/16	4.3	1.62	4.75	1.79	3.63	1/2	0.56	0.63	2.38	2.44	1.85
	35mm	2.0	41.1	120.7	45.5	92.1	M12	14.2	16.0	60.5	62.0	47.0

#C dimension will vary slightly depending on true shaft diameter.

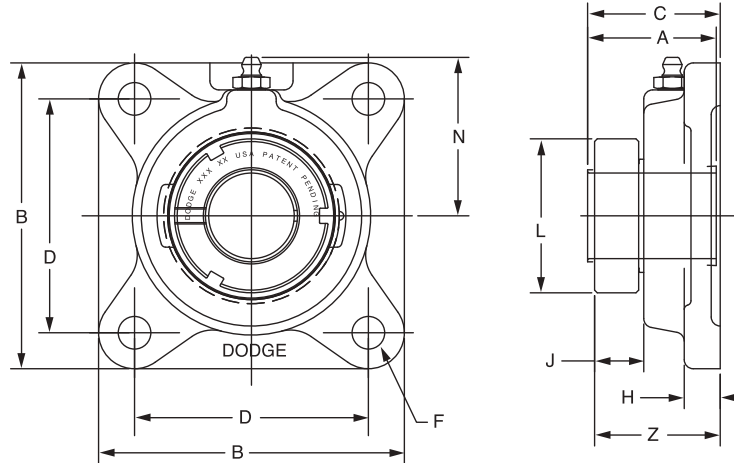
Grip Tight® mounted ball bearings

Selection/Dimensions

Grip Tight mounted ball bearings GT normal duty 4-bolt flange bearings



Lube Fitting Thread Size -
203 Series - 1/4-28 Tapered Thread
204 Series and Larger - 1/8-27 NPT



Series	Shaft Size	Complete unit		Unit without adapter sleeve & lock nut		Adapter sleeve & lock nut assembly	
		Part no.	Description	Part no.	Description	Part no.	Description
208	1-1/2	129649	F4B-GT-108	129469	F4B-GT-08	136530	AN-GT-08-108-D
	1-5/8	129374	F4B-GT-110	129469	F4B-GT-08	136592	AN-GT-08-110-D
	40mm	129672	F4B-GT-40M	129469	F4B-GT-08	136593	AN-GT-08-40M-D
209	1-5/8	129650	F4B-GT-110L	129470	F4B-GT-09	136531	AN-GT-09-110L-D
	1-11/16	129651	F4B-GT-111	129470	F4B-GT-09	136532	AN-GT-09-111-D
	1-3/4	129652	F4B-GT-112	129470	F4B-GT-09	136533	AN-GT-09-112-D
	45mm	129673	F4B-GT-45M	129470	F4B-GT-09	136557	AN-GT-09-45M-D
210	1-15/16	129653	F4B-GT-115	129471	F4B-GT-10	136534	AN-GT-10-115-D
	2	129654	F4B-GT-200	129471	F4B-GT-10	136535	AN-GT-10-200-D
	50mm	129674	F4B-GT-50M	129471	F4B-GT-10	136558	AN-GT-10-50M-D
211	2	129687	F4B-GTM-200	129472	F4B-GT-11	136600	AN-GTM-11-200-D
	2-3/16	129655	F4B-GT-203	129472	F4B-GT-11	136536	AN-GT-11-203-D
	2-1/4	129379	F4B-GT-204	129472	F4B-GT-11	136537	AN-GT-11-204-D
	55mm	129675	F4B-GT-55M	129472	F4B-GT-11	136559	AN-GT-11-55M-D
212	2-1/4	129689	F4B-GTM-204	129473	F4B-GT-12	136601	AN-GTM-12-204-D
	2-7/16	129656	F4B-GT-207	129473	F4B-GT-12	136538	AN-GT-12-207-D
	60mm	129676	F4B-GT-60M	129473	F4B-GT-12	136594	AN-GT-12-60M-D
214	2-1/2	129691	F4B-GTM-208	129474	F4B-GT-14	136547	AN-GTM-14-208-D
	2-11/16	129657	F4B-GT-211	129474	F4B-GT-14	136548	AN-GT-14-211-D
	70mm	129677	F4B-GT-70M	129474	F4B-GT-14	136568	AN-GT-14-70M-D
215	2-15/16	129658	F4B-GT-215	129475	F4B-GT-15	136540	AN-GT-15-215-D
	3	075700	F4B-GT-300	129475	F4B-GT-15	136595	AN-GT-15-300-D
	75mm	129678	F4B-GT-75M	129475	F4B-GT-15	136596	AN-GT-15-75M-D

@Assembled to order

Grip Tight® mounted ball bearings

Selection/Dimensions

Grip Tight mounted ball bearings
 GT normal duty 4-bolt flange bearings

Series	Shaft size	Weight lb kg	A	B	C#	D	F bolt dia.	H	J	L	N	Z
208	1-1/2	5.8	1.84	5.13	2.01	4.00	1/2	0.56	0.67	2.62	2.38	2.02
	1-5/8	5.6	1.84	5.13	2.01	4.00	1/2	0.56	0.67	2.62	2.38	2.02
	40mm	2.6	46.7	130.3	51.1	101.6	M12	14.2	17.0	66.5	60.5	51.3
209	1-5/8	6.0	1.85	5.38	2.03	4.13	1/2	0.63	0.66	2.86	2.75	2.06
	1-11/16	6.0	1.85	5.38	2.03	4.13	1/2	0.63	0.66	2.86	2.75	2.06
	1-3/4	5.9	1.85	5.38	2.03	4.13	1/2	0.63	0.66	2.86	2.75	2.06
	45mm	2.7	47.0	136.7	51.6	104.8	M14	16.0	16.8	72.6	69.9	52.3
210	1-15/16	6.6	1.86	5.63	2.07	4.38	1/2	0.63	0.63	3.13	2.88	2.10
	2	6.5	1.86	5.63	2.07	4.38	1/2	0.63	0.63	3.13	2.88	2.10
	50mm	3.1	47.2	143.0	52.6	111.1	M16	16.0	16.0	79.5	73.2	53.3
211	2	10.1	1.93	6.50	2.19	5.13	5/8	0.69	0.65	3.43	3.25	2.25
	2-3/16	9.7	1.93	6.50	2.19	5.13	5/8	0.69	0.65	3.43	3.25	2.25
	2-1/4	9.6	1.93	6.50	2.19	5.13	5/8	0.69	0.65	3.43	3.25	2.25
	55mm	5.0	49.0	165.1	55.6	130.2	M16	17.5	16.5	87.1	82.6	57.2
212	2-1/4	11.9	2.12	6.88	2.36	5.63	5/8	0.69	0.71	3.69	3.50	2.43
	2-7/16	11.2	2.12	6.88	2.36	5.63	5/8	0.69	0.71	3.69	3.50	2.43
	60mm	5.9	53.8	174.8	59.9	142.9	M16	17.5	18.0	93.7	88.9	61.7
214	2-1/2	15.9	2.39	7.38	2.85	5.88	5/8	0.69	0.70	4.00	3.69	2.89
	2-11/16	15.4	2.39	7.38	2.85	5.88	5/8	0.69	0.70	4.00	3.69	2.89
	70mm	6.6	60.7	187.5	72.4	149.2	M16	17.5	17.8	101.6	93.7	73.4
215	2-15/16	16.4	2.46	7.75	3.02	6.00	3/4	1.00	0.77	4.44	3.88	3.02
	3	16.2	2.46	7.75	3.02	6.00	3/4	1.00	0.77	4.44	3.88	3.02
	75mm	8.6	62.5	196.9	76.7	152.4	M18	25.4	19.6	112.8	98.6	76.7

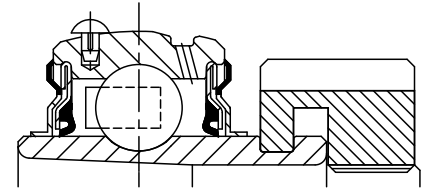
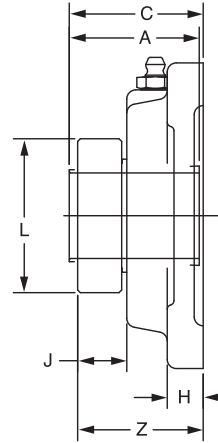
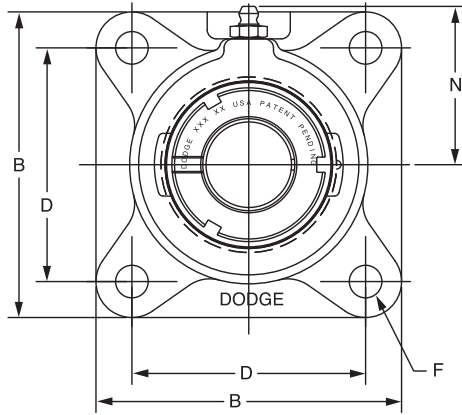
#C dimension will vary slightly depending on true shaft diameter.

Grip Tight® mounted ball bearings

Selection/Dimensions

Grip Tight mounted ball bearings
GTM medium duty 4-bolt flange bearings

Lube Fitting Thread Size -
1/8 - 27 NPT



Series	Shaft size	Complete unit		Unit without adapter sleeve & lock nut		adapter sleeve & lock nut assembly	
		Part no.	Description	Part no.	Description	Part no.	Description
205	3/4	129679	F4B-GTM-012	129466	F4B-GT-05	136597	AN-GTM-05-012-D
206	1	129680	F4B-GTM-100	129467	F4B-GT-06	136541	AN-GTM-06-100-D
	25mm	136275	F4B-GTM-25M	129467	F4B-GT-06	136561	AN-GTM-06-25M-D
207	1-3/16	129681	F4B-GTM-103	129468	F4B-GT-07	136542	AN-GTM-07-103-D
	1-1/4	129646	F4B-GT-104	129468	F4B-GT-07	136528	AN-GT-07-104-D
	30mm	136276	F4B-GTM-30M	129468	F4B-GT-07	136562	AN-GTM-07-30M-D
208	1-7/16	129682	F4B-GTM-107	129469	F4B-GT-08	136543	AN-GTM-08-107-D
	35mm	136277	F4B-GTM-35M	129469	F4B-GT-08	136563	AN-GTM-08-35M-D
209	1-1/2	129683	F4B-GTM-108	129470	F4B-GT-09	136598	AN-GTM-09-108-D
	40mm	136278	F4B-GTM-40M	129470	F4B-GT-09	136564	AN-GTM-09-40M-D
210	1-11/16	129684	F4B-GTM-111	129471	F4B-GT-10	136544	AN-GTM-10-111-D
	1-3/4	129685	F4B-GTM-112	129471	F4B-GT-10	136599	AN-GTM-10-112-D
	45mm	136279	F4B-GTM-45M	129471	F4B-GT-10	136565	AN-GTM-10-45M-D
211	1-15/16	129686	F4B-GTM-115	129472	F4B-GT-11	136545	AN-GTM-11-115-D
	2	129687	F4B-GTM-200	129472	F4B-GT-11	136600	AN-GTM-11-200-D
	50mm	136280	F4B-GTM-50M	129472	F4B-GT-11	136566	AN-GTM-11-50M-D
212	2-3/16	129688	F4B-GTM-203	129473	F4B-GT-12	136546	AN-GTM-12-203-D
	2-1/4	129689	F4B-GTM-204	129473	F4B-GT-12	136601	AN-GTM-12-204-D
	55mm	136281	F4B-GTM-55M	129473	F4B-GT-12	136567	AN-GTM-12-55M-D
214	2-7/16	129690	F4B-GTM-207	129474	F4B-GT-14	136547	AN-GTM-14-207-D
	2-1/2	129691	F4B-GTM-208	129474	F4B-GT-14	136548	AN-GTM-14-208-D
	65mm	136282	F4B-GTM-65M	129474	F4B-GT-14	136568	AN-GTM-14-65M-D
215	2-11/16	129692	F4B-GTM-211	129475	F4B-GT-15	136549	AN-GTM-15-211-D
	70mm	136283	F4B-GTM-70M	129475	F4B-GT-15	136569	AN-GTM-15-70M-D
216	2-15/16	129693	F4B-GTM-215	129486	F4B-GT-16	136550	AN-GTM-16-215-D
	3	129694	F4B-GTM-300	129486	F4B-GT-16	136551	AN-GTM-16-300-D
	75mm	136284	F4B-GTM-75M	129486	F4B-GT-16	136570	AN-GTM-16-75M-D
218	3-7/16	129695	F4B-GTM-307	129487	F4B-GT-18	136552	AN-GTM-18-307-D
	3-1/2	129696	F4B-GTM-308	129487	F4B-GT-18	136603	AN-GTM-18-308-D
	85mm	136285	F4B-GTM-85M	129487	F4B-GT-18	136571	AN-GTM-18-85M-D

@Assembled to order

Grip Tight® mounted ball bearings

Selection/Dimensions

Grip Tight mounted ball bearings
GTM medium duty 4-bolt flange bearings

Series	Shaft size	Weight lb kg	A	B	C#	D	F bolt dia.	H	J	L	N	Z
205	3/4	2.3	1.46	3.75	1.57	2.75	7/16	0.50	0.63	1.80	2.06	1.59
	3/4	2.3	37.1	95.3	39.9	69.9	M10	12.7	16.0	45.7	52.3	40.4
206	1	3.9	1.61	4.25	1.71	3.25	7/16	0.50	0.68	2.08	2.19	1.74
	25mm	1.9	40.9	108.0	43.4	82.6	M10	12.7	17.3	52.8	55.6	44.2
207	1-3/16	4.5	1.62	4.75	1.79	3.63	1/2	0.56	0.63	2.38	2.44	1.85
	1-1/4	4.4	1.62	4.75	1.79	3.63	1/2	0.56	0.63	2.38	2.44	1.85
	30mm	2.2	41.1	120.7	45.5	92.1	M12	14.2	16.0	60.5	62.0	47.0
208	1-7/16	5.9	1.84	5.13	2.01	4.00	1/2	0.56	0.67	2.62	2.38	2.02
	35mm	2.9	46.7	130.3	51.1	101.6	M12	14.2	17.0	66.5	60.5	51.3
209	1-1/2	6.1	1.85	5.38	2.03	4.13	1/2	0.63	0.66	2.86	2.75	2.06
	40mm	3.0	47.0	136.7	51.6	104.8	M14	16.0	16.8	72.6	69.9	52.3
210	1-11/16	7.1	1.86	5.63	2.07	4.38	1/2	0.63	0.63	3.13	2.88	2.10
	1-3/4	7.0	1.86	5.63	2.07	4.38	1/2	0.63	0.63	3.13	2.88	2.10
	45mm	3.4	47.2	143.0	52.6	111.1	M16	16.0	16.0	79.5	73.2	53.3
211	1-15/16	11.1	1.93	6.50	2.19	5.13	5/8	0.69	0.65	3.43	3.25	2.25
	2	11.0	1.93	6.50	2.19	5.13	5/8	0.69	0.65	3.43	3.25	2.25
	50mm	5.4	49.0	165.1	55.6	130.2	M16	17.5	16.5	87.1	82.6	57.2
212	2-3/16	13.4	2.12	6.88	2.36	5.63	5/8	0.69	0.71	3.69	3.50	2.43
	2-1/4	13.3	2.12	6.88	2.36	5.63	5/8	0.69	0.71	3.69	3.50	2.43
	55mm	6.5	53.8	174.8	59.9	142.9	M16	17.5	18.0	93.7	88.9	61.7
214	2-7/16	14.7	2.39	7.38	2.85	5.88	5/8	0.69	0.70	4.00	3.69	2.89
	2-1/2	14.6	2.39	7.38	2.85	5.88	5/8	0.69	0.70	4.00	3.69	2.89
	65mm	7.1	60.7	187.5	72.4	149.2	M16	17.5	17.8	101.6	93.7	73.4
215	2-11/16	19.0	2.46	7.75	3.02	6.00	3/4	1.00	0.77	4.44	3.88	3.02
	70mm	9.2	62.5	196.9	76.7	152.4	M18	25.4	19.6	112.8	98.6	76.7
216	2-15/16	20.70	2.70	7.75	3.40	6.00	3/4	0.88	0.87	4.69	4.09	3.37
	3	20.6	2.70	7.75	3.40	6.00	3/4	0.88	0.87	4.69	4.09	3.37
	75mm	10.0	68.6	196.9	86.4	152.4	M18	22.4	22.1	119.1	103.9	85.6
218	3-7/16	36.1	2.80	8.44	3.62	6.75	3/4	1.00	0.81	5.19	4.63	3.59
	3-1/2	36.1	2.80	8.44	3.62	6.75	3/4	1.00	0.81	5.19	4.63	3.59
	85mm	17.5	71.1	214.4	91.9	171.5	M18	25.4	20.6	131.8	117.6	91.2

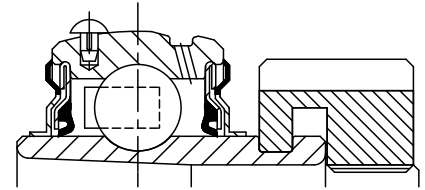
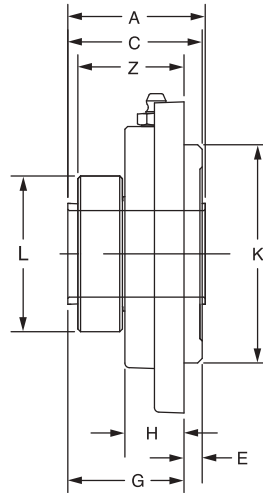
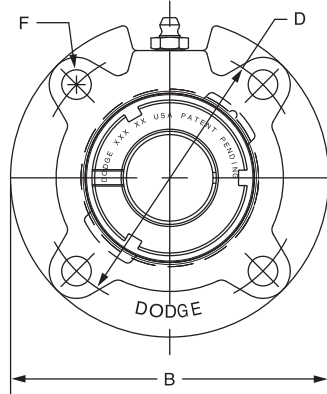
#C dimension will vary slightly depending on true shaft diameter.

Grip Tight® mounted ball bearings

Selection/Dimensions

Grip Tight mounted ball bearings
GT normal duty piloted flange bearings

Lube Fitting Thread Size -
1/8 - 27 NPT



Series	Shaft size	Complete unit		Unit without adapter sleeve & lock nut		Adapter sleeve & lock nut assembly	
		Part no.	Description	Part no.	Description	Part no.	Description
206	1-1/8	129735	FC-GT-102	129501	FC-GT-06	136525	AN-GT-06-102-D
	1-3/16	129736	FC-GT-103	129501	FC-GT-06	136526	AN-GT-06-103-D
	1-1/4	129737	FC-GT-104S	129501	FC-GT-06	136527	AN-GT-06-104S-D
	30mm	129750	FC-GT-30M	129501	FC-GT-06	136555	AN-GT-06-30M-D
207	1-1/4	129738	FC-GT-104	129502	FC-GT-07	136528	AN-GT-07-104-D
	1-3/8	129739	FC-GT-106	129502	FC-GT-07	136591	AN-GT-07-106-D
	1-7/16	129740	FC-GT-107	129502	FC-GT-07	136529	AN-GT-07-107-D
	35mm	129751	FC-GT-35M	129502	FC-GT-07	136556	AN-GT-07-35M-D
208	1-1/2	129741	FC-GT-108	129503	FC-GT-08	136530	AN-GT-08-108-D
	1-5/8	129375	FC-GT-110	129503	FC-GT-08	136592	AN-GT-08-110-D
	40mm	129752	FC-GT-40M	129503	FC-GT-08	136593	AN-GT-08-40M-D
209	1-5/8	129742	FC-GT-110L	129504	FC-GT-09	136531	AN-GT-09-110L-D
	1-11/16	129743	FC-GT-111	129504	FC-GT-09	136532	AN-GT-09-111-D
	1-3/4	129744	FC-GT-112	129504	FC-GT-09	136533	AN-GT-09-112-D
210	45mm	129753	FC-GT-45M	129504	FC-GT-09	136557	AN-GT-09-45M-D
	1-15/16	129745	FC-GT-115	129505	FC-GT-10	136534	AN-GT-10-115-D
	2	129746	FC-GT-200	129505	FC-GT-10	136535	AN-GT-10-200-D
211	50mm	129754	FC-GT-50M	129505	FC-GT-10	136558	AN-GT-10-50M-D
	2	129765	FC-GTM-200	129506	FC-GT-11	136600	AN-GTM-11-200-D
	2-3/16	129747	FC-GT-203	129506	FC-GT-11	136536	AN-GT-11-203-D
	2-1/4	129380	FC-GT-204	129506	FC-GT-11	136537	AN-GT-11-204-D
212	55mm	129755	FC-GT-55M	129506	FC-GT-11	136559	AN-GT-11-55M-D
	2-1/4	129767	FC-GTM-204	129507	FC-GT-12	136601	AN-GTM-12-204-D
	2-7/16	129748	FC-GT-207	129507	FC-GT-12	136538	AN-GT-12-207-D
214	60mm	129756	FC-GT-60M	129507	FC-GT-12	136594	AN-GT-12-60M-D
	2-1/2	129769	FC-GTM-208	129508	FC-GT-14	136548	AN-GTM-14-208-D
214	2-11/16	129749	FC-GT-211	129508	FC-GT-14	136539	AN-GT-14-211-D
	70mm	129757	FC-GT-70M	129508	FC-GT-14	136560	AN-GT-14-70M-D

Grip Tight® mounted ball bearings

Selection/Dimensions

Grip Tight mounted ball bearings
GT normal duty piloted flange bearings

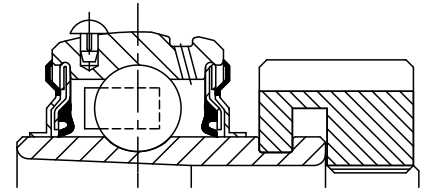
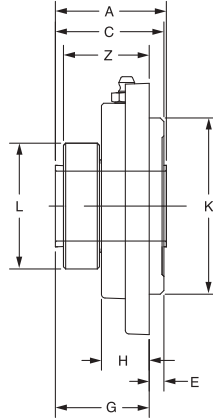
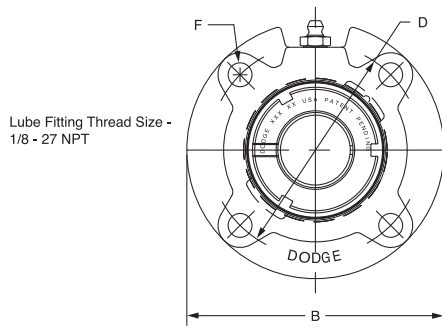
Series	Shaft size	Weight lb kg	A	B	C#	D	E	F bolt dia.	G#	H	K	L	Z
206	1-1/8	3.0	1.61	4.38	1.68	3.63	0.25	3/8	1.43	0.81	3.000/2.998	2.08	1.46
	1-3/16	3.0	1.61	4.38	1.68	3.63	0.25	3/8	1.43	0.81	3.000/2.998	2.08	1.46
	1-1/4	3.0	1.61	4.38	1.68	3.63	0.25	3/8	1.43	0.81	3.000/2.998	2.08	1.46
	30mm	1.4	40.9	111.3	42.7	92.2	6.4	M10	36.3	20.6	76.20/76.15	52.8	37.1
207	1-1/4	4.1	1.62	5.00	1.81	4.13	0.38	3/8	1.44	0.84	3.375/3.373	2.38	1.49
	1-3/8	4.0	1.62	5.00	1.81	4.13	0.38	3/8	1.44	0.84	3.375/3.373	2.38	1.49
	1-7/16	4.0	1.62	5.00	1.81	4.13	0.38	3/8	1.44	0.84	3.375/3.373	2.38	1.49
	35mm	1.6	41.1	127.0	46.0	104.9	9.7	M10	36.6	21.3	85.73/85.67	60.5	37.8
208	1-1/2	4.9	1.84	5.25	2.01	4.38	0.44	7/16	1.58	0.89	3.625/3.623	2.62	1.58
	1-5/8	4.7	1.84	5.25	2.01	4.38	0.44	7/16	1.58	0.89	3.625/3.623	2.62	1.58
	40mm	2.1	46.7	133.4	51.1	111.3	11.2	M12	40.1	22.6	92.08/92.02	66.5	40.1
209	1-5/8	6.2	1.85	5.75	1.97	4.75	0.44	1/2	1.53	0.91	4.000/3.998	2.86	1.57
	1-11/16	6.1	1.85	5.75	1.97	4.75	0.44	1/2	1.53	0.91	4.000/3.998	2.86	1.57
	1-3/4	6.1	1.85	5.75	1.97	4.75	0.44	1/2	1.53	0.91	4.000/3.998	2.86	1.57
	45mm	2.50	47.0	146.1	50.0	120.7	11.2	M12	38.9	23.1	101.60/101.55	72.6	39.9
210	1-15/16	6.2	1.86	6.13	2.02	5.13	0.47	1/2	1.55	0.92	4.250/4.248	3.13	1.58
	2	6.2	1.86	6.13	2.02	5.13	0.47	1/2	1.55	0.92	4.250/4.248	3.13	1.58
	50mm	2.6	47.2	155.7	51.3	130.3	11.9	M12	39.4	23.4	107.95/107.90	79.5	40.1
211	2	8.0	1.93	6.38	2.26	5.38	0.63	1/2	1.63	1.00	4.500/4.498	3.43	1.69
	2-3/16	8.0	1.93	6.38	2.26	5.38	0.63	1/2	1.63	1.00	4.500/4.498	3.43	1.69
	2-1/4	6.9	1.93	6.38	2.26	5.38	0.63	1/2	1.63	1.00	4.500/4.498	3.43	1.69
	55mm	3.4	49.0	162.1	57.4	136.7	16.0	M12	41.4	25.4	114.30/114.25	87.1	42.9
212	2-1/4	11.6	2.12	7.13	2.52	6.00	0.88	1/2	1.65	1.00	5.000/4.998	3.69	1.71
	2-7/16	11.6	2.12	7.13	2.52	6.00	0.88	1/2	1.65	1.00	5.000/4.998	3.69	1.71
	60mm	4.9	53.8	181.1	64.0	152.4	22.4	M12	41.9	25.4	127.00/126.95	93.7	43.4
214	2-1/2	13.8	2.39	7.63	2.86	6.50	1.13	1/2	1.74	1.06	5.500/5.498	4.00	1.77
	2-11/16	13.6	2.39	7.63	2.86	6.50	1.13	1/2	1.74	1.06	5.500/5.498	4.00	1.77
	70mm	5.8	60.7	193.8	72.6	165.1	28.7	M12	44.2	26.9	139.70/139.65	101.6	45.0

#C & G dimensions will vary slightly depending on true shaft diameter.

Grip Tight[®] mounted ball bearings

Selection/Dimensions

Grip Tight mounted ball bearings
GTM medium duty piloted flange bearings



Series	Shaft size	Complete unit		Unit without adapter sleeve & lock nut		Adapter sleeve & lock nut assembly	
		Part no.	Description	Part no.	Description	Part no.	Description
206	1	129758	FC-GTM-100	129501	FC-GT-06	136541	AN-GTM-06-100-D
	25mm	136286	FC-GTM-25M	129501	FC-GT-06	136561	AN-GTM-06-25M-D
207	1-3/16	129759	FC-GTM-103	129502	FC-GT-07	136542	AN-GTM-07-103-D
	1-1/4	129738	FC-GT-104	129502	FC-GT-07	136528	AN-GT-07-104-D
	30mm	136287	FC-GTM-30M	129502	FC-GT-07	136562	AN-GTM-07-30M-D
208	1-7/16	129760	FC-GTM-107	129503	FC-GT-08	136543	AN-GTM-08-107-D
	1-1/2	129741	FC-GT-108	129503	FC-GT-08	136530	AN-GT-08-108-D
	35mm	136288	FC-GTM-35M	129503	FC-GT-08	136563	AN-GTM-08-35M-D
209	1-1/2	129761	FC-GTM-108L	129504	FC-GT-09	136598	AN-GTM-09-108-D
	1-5/8	129742	FC-GT-110L	129504	FC-GT-09	136531	AN-GT-09-110-D
	40mm	136289	FC-GTM-40M	129504	FC-GT-09	136564	AN-GTM-09-40M-D
210	1-11/16	129762	FC-GTM-111	129505	FC-GT-10	136544	AN-GTM-10-111-D
	1-3/4	129763	FC-GTM-112	129505	FC-GT-10	136599	AN-GTM-10-112-D
	45mm	136290	FC-GTM-45M	129505	FC-GT-10	136565	AN-GTM-10-45M-D
211	1-15/16	129764	FC-GTM-115	129506	FC-GT-11	136545	AN-GTM-11-115-D
	2	129765	FC-GTM-200	129506	FC-GT-11	136600	AN-GTM-11-200-D
	50mm	136291	FC-GTM-50M	129506	FC-GT-11	136566	AN-GTM-11-50M-D
212	2-3/16	129766	FC-GTM-203	129507	FC-GT-12	136546	AN-GTM-12-203-D
	2-1/4	129767	FC-GTM-204	129507	FC-GT-12	136601	AN-GTM-12-204-D
	55mm	139292	FC-GTM-55M	129507	FC-GT-12	136567	AN-GTM-12-55M-D
214	2-7/16	129768	FC-GTM-207	129508	FC-GT-14	136547	AN-GTM-14-207-D
	2-1/2	129769	FC-GTM-208	129508	FC-GT-14	136548	AN-GTM-14-208-D
	65mm	136293	FC-GTM-65M	129508	FC-GT-14	136568	AN-GTM-14-65M-D
216	2-15/16	129770	FC-GTM-215	129509	FC-GT-16	136550	AN-GTM-16-215-D
	3	129771	FC-GTM-300	129509	FC-GT-16	136551	AN-GTM-16-300-D
	75mm	136294	FC-GTM-75M	129509	FC-GT-16	136570	AN-GTM-16-75M-D
218	3-7/16	129772	FC-GTM-307	129510	FC-GT-18	136552	AN-GTM-18-307-D
	3-1/2	129773	FC-GTM-308	129510	FC-GT-18	136603	AN-GTM-18-308-D
	85mm	136295	FC-GTM-85M	129510	FC-GT-18	136571	AN-GTM-18-85M-D

@Assembled to order

Grip Tight® mounted ball bearings

Selection/Dimensions

Grip Tight mounted ball bearings
GTM medium duty piloted flange bearings

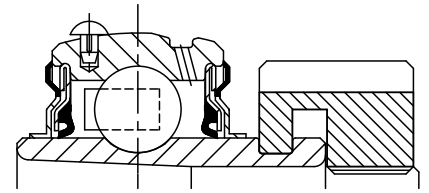
Series	Shaft size	Weight lb kg	A	B	C#	D	E	F bolt dia.	G#	H	K	L	Z
206	1	3.1	1.61	4.38	1.68	3.63	0.25	3/8	1.43	0.81	3.000/2.998	2.08	1.46
	25mm	1.5	40.9	111.3	42.7	92.2	6.4	M10	36.3	20.6	76.20/76.15	52.8	37.1
207	1-3/16	4.1	1.62	5.00	1.81	4.13	0.38	3/8	1.44	0.84	3.375/3.373	2.38	1.49
	1-1/4	4.1	1.62	5.00	1.81	4.13	0.38	3/8	1.44	0.84	3.375/3.373	2.38	1.49
208	30mm	2.0	41.1	127.0	46.0	104.9	9.7	M10	36.6	21.3	85.73/85.67	60.5	37.8
	1-7/16	5.1	1.84	5.25	2.01	4.38	0.44	7/16	1.58	0.89	3.625/3.623	2.62	1.58
209	1-1/2	6.1	1.85	5.75	1.97	4.75	0.44	1/2	1.53	0.91	4.000/3.998	2.86	1.57
	1-5/8	6.1	1.85	5.75	1.97	4.75	0.44	1/2	1.53	0.91	4.000/3.998	2.86	1.57
210	40mm	3.0	47.0	146.1	50.0	120.7	11.2	M12	38.9	23.1	101.60/101.55	72.6	39.9
	1-11/16	6.2	1.86	6.13	2.02	5.13	0.47	1/2	1.55	0.92	4.250/4.248	3.13	1.58
211	1-3/4	6.2	1.86	6.13	2.02	5.13	0.47	1/2	1.55	0.92	4.250/4.248	3.13	1.58
	45mm	3.0	47.2	155.7	51.3	130.3	11.9	M12	39.4	23.4	107.95/107.90	79.5	40.1
212	1-15/16	8.0	1.93	6.38	2.26	5.38	0.63	1/2	1.63	1.00	4.500/4.498	3.43	1.69
	2	8.0	1.93	6.38	2.26	5.38	0.63	1/2	1.63	1.00	4.500/4.498	3.43	1.69
214	50mm	3.9	49.0	162.1	57.4	136.7	16.0	M12	41.4	25.4	114.30/114.25	87.1	42.9
	2-3/16	11.6	2.12	7.13	2.52	6.00	0.88	1/2	1.65	1.00	5.000/4.998	3.69	1.71
216	2-1/4	11.60	2.12	7.13	2.52	6.00	0.88	1/2	1.65	1.00	5.000/4.998	3.69	1.71
	55mm	5.6	53.8	181.1	64.0	152.4	22.4	M12	41.9	25.4	127.00/126.95	93.7	43.4
218	2-7/16	13.9	2.39	7.63	2.86	6.50	1.13	1/2	1.74	1.06	5.500/5.498	4.00	1.77
	2-1/2	13.8	2.39	7.63	2.86	6.50	1.13	1/2	1.74	1.06	5.500/5.498	4.00	1.77
218	65mm	6.7	60.7	193.8	72.6	165.1	28.7	M12	44.2	26.9	139.70/139.65	101.6	45.0
	2-15/16	15.9	2.70	8.75	3.33	7.50	1.25	5/8	2.08	1.19	6.375/6.373	4.69	2.05
218	3	15.8	2.70	8.75	3.33	7.50	1.25	5/8	2.08	1.19	6.375/6.373	4.69	2.05
	75mm	12.9	68.6	222.3	84.6	190.5	31.8	M16	52.8	30.2	161.93/161.87	119.1	52.1
218	3-7/16	36.8	2.80	10.25	3.57	8.38	1.13	3/4	2.44	1.63	7.375/7.373	5.19	2.42
	3-1/2	36.8	2.80	10.25	3.57	8.38	1.13	3/4	2.44	1.63	7.375/7.373	5.19	2.42
218	85mm	17.8	71.1	260.4	90.7	212.9	28.7	M18	62.0	41.4	187.33/187.27	131.8	61.5

#C & G dimensions will vary slightly depending on true shaft diameter.

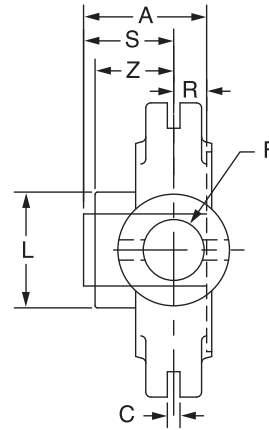
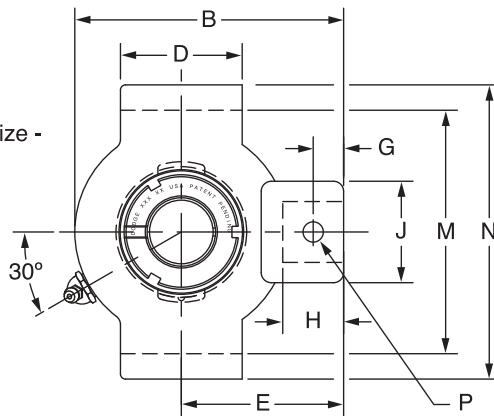
Grip Tight® mounted ball bearings

Selection/Dimensions

Grip Tight mounted ball bearings
GT normal duty narrow slot take-up bearings



Lube Fitting Thread Size -
1/8 - 27 NPT



Series	Shaft size	Complete unit		Unit without adapter sleeve & lock nut		Adapter sleeve & lock nut assembly	
		Part no.	Description	Part no.	Description	Part no.	Description
204	3/4	136110	NSTU-GT-012	136210	NSTU-GT-04	136522	AN-GT-04-012-D
	20mm	136238	NSTU-GT-20M	136210	NSTU-GT-04	136553	AN-GT-04-20M-D
205	7/8	136111	NSTU-GT-014	136211	NSTU-GT-05	136590	AN-GT-05-014-D
	15/16	136112	NSTU-GT-015	136211	NSTU-GT-05	136523	AN-GT-05-015-D
	1	136113	NSTU-GT-100	136211	NSTU-GT-05	136524	AN-GT-05-100-D
	25mm	136239	NSTU-GT-25M	136211	NSTU-GT-05	136554	AN-GT-05-25M-D
206	1-1/8	136114	NSTU-GT-102	136212	NSTU-GT-06	136525	AN-GT-06-102-D
	1-3/16	136115	NSTU-GT-103	136212	NSTU-GT-06	136526	AN-GT-06-103-D
	1-1/4	136116	NSTU-GT-104S	136212	NSTU-GT-06	136527	AN-GT-06-104S-D
	30mm	136240	NSTU-GT-30M	136212	NSTU-GT-06	136555	AN-GT-06-30M-D
207	1-1/4	136117	NSTU-GT-104	136213	NSTU-GT-07	136528	AN-GT-07-104-D
	1-3/8	136118	NSTU-GT-106	136213	NSTU-GT-07	136591	AN-GT-07-106-D
	1-7/16	136119	NSTU-GT-107	136213	NSTU-GT-07	136529	AN-GT-07-107-D
	35mm	136241	NSTU-GT-35M	136213	NSTU-GT-07	136556	AN-GT-07-35M-D
208	1-1/2	136120	NSTU-GT-108	136214	NSTU-GT-08	136530	AN-GT-08-108-D
	1-5/8	126121	NSTU-GT-110	136214	NSTU-GT-08	136592	AN-GT-08-110-D
	40mm	136242	NSTU-GT-40M	136214	NSTU-GT-08	136593	AN-GT-08-40M-D
209	1-5/8	136122	NSTU-GT-110L	136215	NSTU-GT-09	136531	AN-GT-09-110L-D
	1-11/16	136123	NSTU-GT-111	136215	NSTU-GT-09	136532	AN-GT-09-111-D
	1-3/4	136124	NSTU-GT-112	136215	NSTU-GT-09	136533	AN-GT-09-112-D
	45mm	136243	NSTU-GT-45M	136215	NSTU-GT-09	136557	AN-GT-09-45M-D
210	1-15/16	136125	NSTU-GT-115	136216	NSTU-GT-10	136534	AN-GT-10-115-D
	2	136126	NSTU-GT-200	136216	NSTU-GT-10	136535	AN-GT-10-200-D
	50mm	136244	NSTU-GT-50M	136216	NSTU-GT-10	136558	AN-GT-10-50M-D
211	2	136167	NSTU-GTM-200	136217	NSTU-GT-11	136600	AN-GTM-11-200-D
	2-3/16	136127	NSTU-GT-203	136217	NSTU-GT-11	136536	AN-GT-11-203-D
	2-1/4	136128	NSTU-GT-204	136217	NSTU-GT-11	136537	AN-GT-11-204-D
	55mm	136245	NSTU-GT-55M	136217	NSTU-GT-11	136559	AN-GT-11-55M-D
212	2-1/4	136169	NSTU-GTM-204	136218	NSTU-GT-12	136601	AN-GTM-12-204-D
	2-7/16	136129	NSTU-GT-207	136218	NSTU-GT-12	136538	AN-GT-12-207-D
	60mm	136246	NSTU-GT-60M	136218	NSTU-GT-12	136594	AN-GT-12-60M-D

@ Assembled to order

Grip Tight® mounted ball bearings

Selection/Dimensions

Grip Tight mounted ball bearings
GT normal duty narrow slot take-up bearings

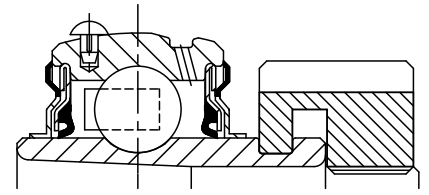
Series	Shaft size	Weight lb	Weight kg	Take-up frame size	A	B	C	D	E	F screw dia.	G	H	J	L	M	N	P pin dia.	R#	S#	Z
204	3/4	1.6		NS210	1.48	3.50	0.250	1.50	2.19	3/4	0.44	0.88	1.38	1.50	2.635/2.605	3.13	0.32	0.46	1.02	1.03
	20mm	0.8		NS210	37.6	88.9	6.35	38.1	55.6	19.1	11.2	22.4	35.1	38.1	66.93/66.17	79.5	8.1	11.7	25.9	26.2
205	7/8	1.7		NS210	1.46	3.56	0.250	1.50	2.19	3/4	0.44	0.88	1.38	1.80	2.635/2.605	3.13	0.32	0.48	0.98	1.00
	15/16	1.6		NS210	1.46	3.56	0.250	1.50	2.19	3/4	0.44	0.88	1.38	1.80	2.635/2.605	3.13	0.32	0.48	0.98	1.00
	1	1.5		NS210	1.46	3.56	0.250	1.50	2.19	3/4	0.44	0.88	1.38	1.80	2.635/2.605	3.13	0.32	0.48	0.98	1.00
	25mm	0.7		NS210	37.1	90.4	6.35	38.1	55.6	19.1	11.2	22.4	35.1	45.7	66.93/66.17	79.5	8.1	12.2	24.9	25.4
206	1-1/8	2.8		NS308	1.61	4.31	0.250	2.50	2.69	3/4	0.50	0.94	1.38	2.08	3.510/3.480	4.13	0.32	0.52	1.09	1.13
	1-3/16	2.7		NS308	1.61	4.31	0.250	2.50	2.69	3/4	0.50	0.94	1.38	2.08	3.510/3.480	4.13	0.32	0.52	1.09	1.13
	1-1/4	2.6		NS308	1.61	4.31	0.250	2.50	2.69	3/4	0.50	0.94	1.38	2.08	3.510/3.480	4.13	0.32	0.52	1.09	1.13
	30mm	1.2		NS308	40.9	109.5	6.35	63.5	68.3	19.1	12.7	23.9	35.1	52.8	89.15/88.39	104.9	8.1	13.2	27.7	28.7
207	1-1/4	2.8		NS308	1.62	4.50	0.250	2.50	2.69	3/4	0.50	0.94	1.38	2.38	3.510/3.480	4.13	0.32	0.54	1.08	1.14
	1-3/8	2.6		NS308	1.62	4.50	0.250	2.50	2.69	3/4	0.50	0.94	1.38	2.38	3.510/3.480	4.13	0.32	0.54	1.08	1.14
	1-7/16	2.5		NS308	1.62	4.50	0.250	2.50	2.69	3/4	0.50	0.94	1.38	2.38	3.510/3.480	4.13	0.32	0.54	1.08	1.14
	35mm	1.2		NS308	41.1	114.3	6.35	63.5	68.3	19.1	12.7	23.9	35.1	60.5	89.15/88.39	104.9	8.1	13.7	27.4	29.0
208	1-1/2	4.70		NS400	1.84	5.38	0.313	3.00	3.25	7/8	0.66	1.16	1.63	2.62	4.015/3.985	4.75	0.38	0.61	1.23	1.23
	1-5/8	4.50		NS400	1.84	5.38	0.313	3.00	3.25	7/8	0.66	1.16	1.63	2.62	4.015/3.985	4.75	0.38	0.61	1.23	1.23
	40mm	2.1		NS400	46.7	136.7	7.95	76.2	82.6	22.2	16.8	29.5	41.4	66.5	101.98/101.22	120.7	9.7	15.5	31.2	31.2
209	1-5/8	4.9		NS400	1.85	5.44	0.313	3.00	3.25	7/8	0.72	1.22	1.63	2.86	4.015/3.985	4.75	0.38	0.62	1.23	1.26
	1-11/16	4.8		NS400	1.85	5.44	0.313	3.00	3.25	7/8	0.72	1.22	1.63	2.86	4.015/3.985	4.75	0.38	0.62	1.23	1.26
	1-3/4	4.7		NS400	1.85	5.44	0.313	3.00	3.25	7/8	0.72	1.22	1.63	2.86	4.015/3.985	4.75	0.38	0.62	1.23	1.26
	45mm	2.1		NS400	47.0	138.2	7.95	76.2	82.6	22.2	18.3	31.0	41.4	72.6	101.98/101.22	120.7	9.7	15.7	31.2	32.0
210	1-15/16	4.9		NS400	1.86	5.50	0.313	3.00	3.25	7/8	0.59	1.09	1.63	3.13	4.015/3.985	4.75	0.38	0.63	1.23	1.26
	2	4.8		NS400	1.86	5.50	0.313	3.00	3.25	7/8	0.59	1.09	1.63	3.13	4.015/3.985	4.75	0.38	0.63	1.23	1.26
	50mm	2.2		NS400	47.2	139.7	7.95	76.2	82.6	22.2	15.0	27.7	41.4	79.5	101.98/101.22	120.7	9.7	16.0	31.2	32.0
211	2	6.8		NS407	1.93	6.13	0.313	3.50	3.63	1	0.69	1.28	1.75	3.43	4.448/4.418	5.38	0.44	0.67	1.26	1.32
	2-3/16	6.6		NS407	1.93	6.13	0.313	3.50	3.63	1	0.69	1.28	1.75	3.43	4.448/4.418	5.38	0.44	0.67	1.26	1.32
	2-1/4	6.5		NS407	1.93	6.13	0.313	3.50	3.63	1	0.69	1.28	1.75	3.43	4.448/4.418	5.38	0.44	0.67	1.26	1.32
	55mm	3.0		NS407	49.0	155.7	7.95	88.9	92.2	25.4	17.5	32.5	44.5	87.1	112.98/112.22	136.7	11.2	17.0	32.0	33.5
212	2-1/4	8.7		NS415	2.12	6.69	0.313	3.75	3.88	1	0.69	1.28	1.63	3.69	4.947/4.917	5.75	0.44	0.73	1.39	1.46
	2-7/16	8.4		NS415	2.12	6.69	0.313	3.75	3.88	1	0.69	1.28	1.63	3.69	4.947/4.917	5.75	0.44	0.73	1.39	1.46
	60mm	4.9		NS415	53.8	169.9	7.95	95.3	98.6	25.4	17.5	32.5	41.4	93.7	125.65/124.89	146.1	11.2	18.5	35.3	37.1

#R & S dimensions will vary slightly depending on true shaft diameter.

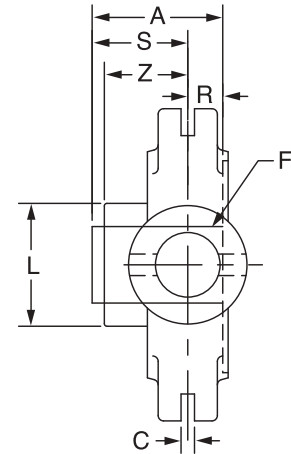
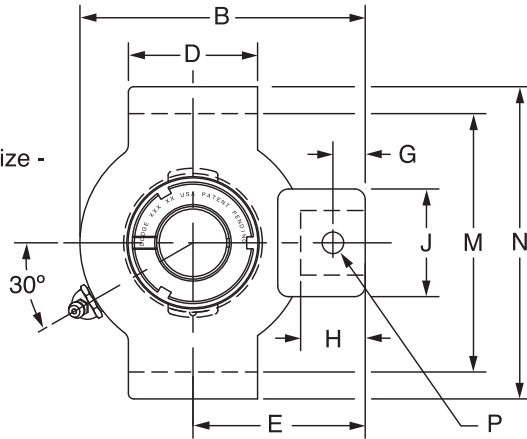
Grip Tight[®] mounted ball bearings

Selection/Dimensions

Grip Tight mounted ball bearings
GTM medium duty narrow slot take-up bearings



Lube Fitting Thread Size -
1/8 - 27 NPT



Series	Shaft size	Complete unit		Unit without adapter sleeve & lock nut		Adapter sleeve & lock nut assembly	
		Part no.	Description	Part no.	Description	Part no.	Description
205	3/4	136159	NSTU-GTM-012	136211	NSTU-GT-05	136597	AN-GTM-05-012-D
206	1	136160	NSTU-GTM-100	136212	NSTU-GTU-06	136541	AN-GTM-06-100-D
	25mm	136296	NSTU-GTM-25M	136212	NSTU-GTU-06	136561	AN-GTM-06-25M-D
207	1 -3/16	136161	NSTU-GTM-103	136213	NSTU-GT-07	136542	AN-GTM-07-103-D
	1-1/4	136117	NSTU-GT-104	136213	NSTU-GT-07	136528	AN-GT-07-104-D
	30mm	136297	NSTU-GTM-30M	136213	NSTU-GT-07	136562	AN-GTM-07-30M-D
208	1-7/16	136162	NSTU-GTM-107	136214	NSTU-GT-08	136543	AN-GTM-08-107-D
	35mm	136298	NSTU-GTM-35M	136214	NSTU-GT-08	136563	AN-GTM-08-35M-D
209	1-1/2	136163	NSTU-GTM-108	136215	NSTU-GT-09	136598	AN-GTM-09-108-D
	40mm	136299	NSTU-GTM-40M	136215	NSTU-GT-09	136564	AN-GTM-09-40M-D
210	1-11/16	136164	NSTU-GTM-111	136216	NSTU-GT-10	136544	AN-GTM-10-111-D
	1-3/4	136165	NSTU-GTM-112	136216	NSTU-GT-10	136599	AN-GTM-10-112-D
	45mm	136300	NSTU-GTM-45M	136216	NSTU-GT-10	136565	AN-GTM-10-45M-D
211	1-15/16	136166	NSTU-GTM-115	136217	NSTU-GT-11	136545	AN-GTM-11-115-D
	2	136167	NSTU-GTM-200	136217	NSTU-GT-11	136600	AN-GTM-11-200-D
	50mm	136301	NSTU-GTM-50M	136217	NSTU-GT-11	136566	AN-GTM-11-50M-D
212	2-3/16	136168	NSTU-GTM-203	136218	NSTU-GT-12	136546	AN-GTM-12-203-D
	2-1/4	136169	NSTU-GTM-204	136218	NSTU-GT-12	136601	AN-GTM-12-204-D
	55mm	136302	NSTU-GTM-55M	136218	NSTU-GT-12	136567	AN-GTM-12-55M-D

@ Assembled to order

Grip Tight® mounted ball bearings

Selection/Dimensions

Grip Tight mounted ball bearings
GTM medium duty narrow slot take-up bearings

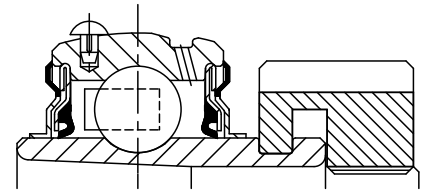
Series	Shaft size	Weight lb kg	Take-up frame size	A	B	C	D	E	F screw dia.	G	H	J	L	M	N	P pin dia.	R#	S#	Z
205	3/4	1.7	NS210	1.46	3.56	0.250	1.50	2.19	3/4	0.44	0.88	1.38	1.80	2.635/2.605	3.13	0.32	0.48	0.98	1.00
	3/4	1.7	NS210	37.1	90.4	6.35	38.1	55.6	19.1	11.2	22.4	35.1	45.7	66.93/66.17	79.5	8.1	12.2	24.9	25.4
206	1	2.8	NS308	1.61	4.31	0.250	2.50	2.69	3/4	0.50	0.94	1.38	2.08	3.510/3.480	4.13	0.32	0.52	1.09	1.13
	25mm	1.2	NS308	40.9	109.5	6.35	63.5	68.3	19.1	12.7	23.9	35.1	52.8	89.15/88.39	104.9	8.1	13.2	27.7	28.7
207	1 -3/16	2.8	NS308	1.62	4.50	0.250	2.50	2.69	3/4	0.50	0.94	1.38	2.38	3.510/3.480	4.13	0.32	0.54	1.08	1.14
	1-1/4		NS308	1.62	4.50	0.250	2.50	2.69	3/4	0.50	0.94	1.38	2.38	3.510/3.480	4.13	0.32	0.54	1.08	1.14
	30mm	1.2	NS308	41.1	114.3	6.35	63.5	68.3	19.1	12.7	23.9	35.1	60.5	89.15/88.39	104.9	8.1	13.7	27.4	29.0
208	1-7/16	4.7	NS400	1.84	5.38	0.313	3.00	3.25	7/8	0.66	1.16	1.63	2.62	4.015/3.985	4.75	0.38	0.61	1.23	1.23
	35mm	2.1	NS400	46.7	136.7	7.95	76.2	82.6	22.2	16.8	29.5	41.4	66.5	101.98/101.22	120.7	9.7	15.5	31.2	31.2
209	1-1/2	4.9	NS400	1.85	5.44	0.313	3.00	3.25	7/8	0.72	1.22	1.63	2.86	4.015/3.985	4.75	0.38	0.62	1.23	1.26
	40mm	2.1	NS400	47.0	138.2	7.95	76.2	82.6	22.2	18.3	31.0	41.4	72.6	101.98/101.22	120.7	9.7	15.7	31.2	32.0
210	1-11/16	4.9	NS400	1.86	5.50	0.313	3.00	3.25	7/8	0.59	1.09	1.63	3.13	4.015/3.985	4.75	0.38	0.63	1.23	1.26
	1-3/4		NS400	1.86	5.50	0.313	3.00	3.25	7/8	0.59	1.09	1.63	3.13	4.015/3.985	4.75	0.38	0.63	1.23	1.26
	45mm	2.2	NS400	47.2	139.7	7.95	76.2	82.6	22.2	15.0	27.7	41.4	79.5	101.98/101.22	120.7	9.7	16.0	31.2	32.0
211	1-15/16	6.80	NS407	1.93	6.13	0.313	3.50	3.63	1	0.69	1.28	1.75	3.43	4.448/4.418	5.38	0.44	0.67	1.26	1.32
	2		NS407	1.93	6.13	0.313	3.50	3.63	1	0.69	1.28	1.75	3.43	4.448/4.418	5.38	0.44	0.67	1.26	1.32
	50mm	3.0	NS407	49.0	155.7	7.95	88.9	92.2	25.4	17.5	32.5	44.5	87.1	112.98/112.22	136.7	11.2	17.0	32.0	33.5
212	2-3/16	8.7	NS415	2.12	6.69	0.313	3.75	3.88	1	0.69	1.28	1.63	3.69	4.947/4.917	5.75	0.44	0.73	1.39	1.46
	2-1/4		NS415		6.69	0.313	3.75	3.88	1	0.69	1.28	1.63	3.69	4.947/4.917	5.75	0.44	0.73	1.39	1.46
	55mm	4.9	NS415	53.8	169.9	7.95	95.3	98.6	25.4	17.5	32.5	41.4	93.7	125.65/124.89	146.1	11.2	18.5	35.3	37.1

#R & S dimensions will vary slightly depending on true shaft diameter.

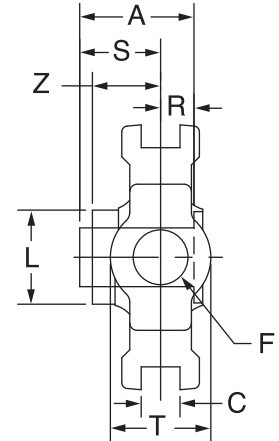
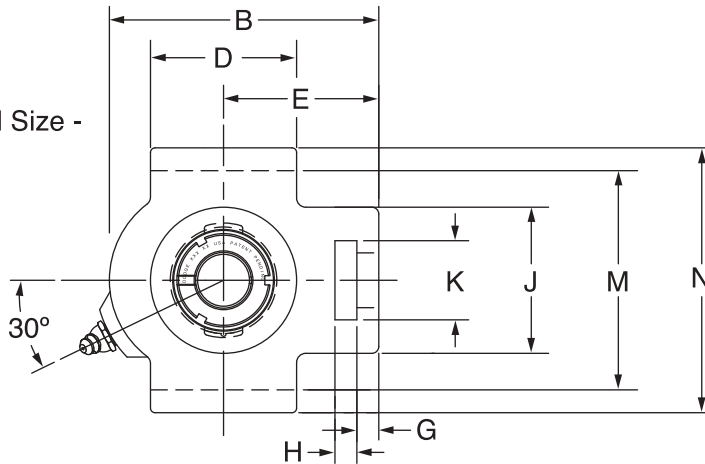
Grip Tight[®] mounted ball bearings

Selection/Dimensions

Grip Tight mounted ball bearings
GT normal duty wide slot take-up bearings



Lube Fitting Thread Size -
1/8 - 27 NPT



Series	Shaft size	Complete unit		Unit without adapter sleeve & lock nut		Adapter sleeve & lock nut assembly	
		Part no.	Description	Part no.	Description	Part no.	Description
204	3/4	136130	WSTU-GT-012	136219	WSTU-GT-04	136522	AN-GT-04-012-D
	20mm	136247	WSTU-GT-20M	136219	WSTU-GT-04	136553	AN-GT-04-20M-D
205	7/8	136131	WSTU-GT-014	136220	WSTU-GT-05	136590	AN-GT-05-014-D
	15/16	136132	WSTU-GT-015	136220	WSTU-GT-05	136523	AN-GT-05-015-D
	1	136133	WSTU-GT-100	136220	WSTU-GT-05	136524	AN-GT-05-100-D
	25mm	136248	WSTU-GT-25M	136220	WSTU-GT-05	136554	AN-GT-05-25M-D
206	1-1/8	136134	WSTU-GT-102	136221	WSTU-GT-06	136525	AN-GT-06-102-D
	1-3/16	136135	WSTU-GT-103	136221	WSTU-GT-06	136526	AN-GT-06-103-D
	1-1/4	136136	WSTU-GT-104S	136221	WSTU-GT-06	136527	AN-GT-06-104S-D
	30mm	136249	WSTU-GT-30M	136221	WSTU-GT-06	136555	AN-GT-06-30M-D
207	1-1/4	136137	WSTU-GT-104	136222	WSTU-GT-07	136528	AN-GT-07-104-D
	1-3/8	136138	WSTU-GT-106	136222	WSTU-GT-07	136591	AN-GT-07-106-D
	1-7/16	136139	WSTU-GT-107	136222	WSTU-GT-07	136529	AN-GT-07-107-D
	35mm	136250	WSTU-GT-35M	136222	WSTU-GT-07	136556	AN-GT-07-35M-D
208	1-1/2	136140	WSTU-GT-108	136223	WSTU-GT-08	136530	AN-GT-08-108-D
	1-5/8	136141	WSTU-GT-110	136223	WSTU-GT-08	136592	AN-GT-08-110-D
	40mm	136251	WSTU-GT-40M	136223	WSTU-GT-08	136593	AN-GT-08-40M-D

@ Assembled to order

Grip Tight® mounted ball bearings

Selection/Dimensions

Grip Tight mounted ball bearings
 GT normal duty wide slot take-up bearings

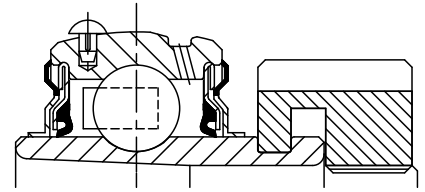
Series	Shaft size	Weight lb kg	Take-up frame size	A	B	C	D	E	F screw dia.	G	H	J	K	L	M	N	R#	S#	T	Z
204	3/4	1.9	WS300	1.48	3.69	0.531	2.00	2.38	5/8	0.38	0.63	2.00	1.25	1.50	2.985/3.015	3.63	0.46	1.02	1.38	1.03
	20mm	0.9	WS300	37.6	93.7	13.49	50.8	60.5	15.9	9.7	16.0	50.8	31.8	38.1	75.82/76.58	92.2	11.7	25.9	35.1	26.2
205	7/8	2.2	WS300	1.46	3.81	0.531	2.00	2.44	5/8	0.38	0.63	2.00	1.31	1.80	2.985/3.015	3.63	0.48	0.98	1.38	1.00
	15/16	2.1	WS300	1.46	3.81	0.531	2.00	2.44	5/8	0.38	0.63	2.00	1.31	1.80	2.985/3.015	3.63	0.48	0.98	1.38	1.00
	1	2.0	WS300	1.46	3.81	0.531	2.00	2.44	5/8	0.38	0.63	2.00	1.31	1.80	2.985/3.015	3.63	0.48	0.98	1.38	1.00
	25mm	1.0	WS300	37.1	96.8	13.49	50.8	62.0	15.9	9.7	16.0	50.8	33.3	45.7	75.82/76.58	92.2	12.2	24.9	35.1	25.4
206	1-1/8	2.7	WS308	1.61	4.38	0.531	2.25	2.75	3/4	0.38	0.63	2.19	1.44	2.08	3.480/3.510	4.13	0.52	1.09	1.38	1.13
	1-3/16	2.6	WS308	1.61	4.38	0.531	2.25	2.75	3/4	0.38	0.63	2.19	1.44	2.08	3.480/3.510	4.13	0.52	1.09	1.38	1.13
	1-1/4	2.5	WS308	1.61	4.38	0.531	2.25	2.75	3/4	0.38	0.63	2.19	1.44	2.08	3.480/3.510	4.13	0.52	1.09	1.38	1.13
	30mm	1.3	WS308	40.9	111.3	13.49	57.2	69.9	19.1	9.7	16.0	55.6	36.6	52.8	88.39/89.15	104.9	13.2	27.7	35.1	28.7
207	1-1/4	3.7	WS308	1.62	4.87	0.531	2.50	3.06	3/4	0.50	0.63	2.50	1.44	2.38	3.480/3.510	4.13	0.54	1.08	1.63	1.14
	1-3/8	3.6	WS308	1.62	4.87	0.531	2.50	3.06	3/4	0.50	0.63	2.50	1.44	2.38	3.480/3.510	4.13	0.54	1.08	1.63	1.14
	1-7/16	3.5	WS308	1.62	4.87	0.531	2.50	3.06	3/4	0.50	0.63	2.50	1.44	2.38	3.480/3.510	4.13	0.54	1.08	1.63	1.14
	35mm	1.6	WS308	41.1	123.7	13.49	63.5	77.7	19.1	12.7	16.0	63.5	36.6	60.5	88.39/89.15	104.9	13.7	27.4	41.4	29.0
208	1-1/2	6.1	WS400	1.84	5.69	0.688	3.25	3.50	1	0.63	0.75	3.25	1.94	2.62	3.985/4.015	4.50	0.61	1.23	1.94	1.23
	1-5/8	5.9	WS400	1.84	5.69	0.688	3.25	3.50	1	0.63	0.75	3.25	1.94	2.62	3.985/4.015	4.50	0.61	1.23	1.94	1.23
	40mm	2.8	WS400	46.7	144.5	17.48	82.6	88.9	25.4	16.0	19.1	82.6	49.3	66.5	101.22/101.98	114.3	15.5	31.2	49.3	31.2

#R & S dimensions will vary slightly depending on true shaft diameter.

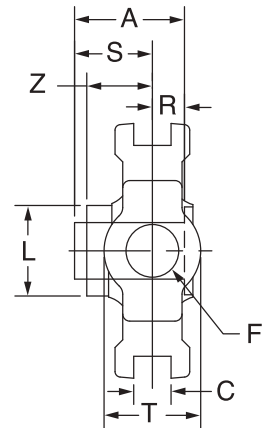
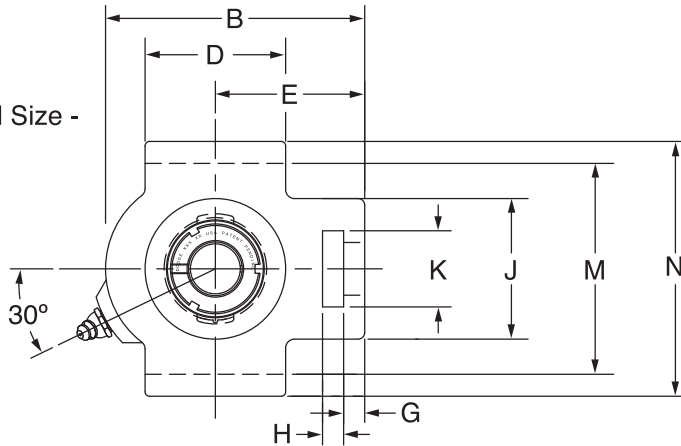
Grip Tight[®] mounted ball bearings

Selection/Dimensions

Grip Tight mounted ball bearings
GT normal duty wide slot take-up bearings



Lube Fitting Thread Size -
1/8 - 27 NPT



Series	Shaft size	Complete unit		Unit without adapter sleeve & lock nut		Adapter sleeve & lock nut assembly	
		Part no.	Description	Part no.	Description	Part no.	Description
209	1-5/8	136142	WSTU-GT-110L	136224	WSTU-GT-09	136531	AN-GT-09-110-D
	1-11/16	136143	WSTU-GT-111	136224	WSTU-GT-09	136532	AN-GT-09-111-D
	1-3/4	136144	WSTU-GT-112	136224	WSTU-GT-09	136533	AN-GT-09-112-D
	45mm	136252	WSTU-GT-45M	136224	WSTU-GT-09	136557	AN-GT-09-45M-D
210	1-15/16	136145	WSTU-GT-115	136225	WSTU-GT-10	136534	AN-GT-10-115-D
	2	136146	WSTU-GT-200	136225	WSTU-GT-10	136535	AN-GT-10-200-D
	50mm	136253	WSTU-GT-50M	136225	WSTU-GT-10	136558	AN-GT-10-50M-D
211	2	136178	WSTU-GTM-200	136226	WSTU-GT-11	136600	AN-GTM-11-200-D
	2-3/16	136147	WSTU-GT-203	136226	WSTU-GT-11	136536	AN-GT-11-203-D
	2-1/4	136148	WSTU-GT-204	136226	WSTU-GT-11	136537	AN-GT-11-204-D
	55mm	136254	WSTU-GT-55M	136226	WSTU-GT-11	136559	AN-GT-11-55M-D
212	2-1/4	136180	WSTU-GTM-204	136227	WSTU-GT-12	136601	AN-GTM-12-204-D
	2-7/16	136149	WSTU-GT-207	136227	WSTU-GT-12	136538	AN-GT-12-207-D
	60mm	136255	WSTU-GT-60M	136227	WSTU-GT-12	136594	AN-GT-12-60M-D
214	2-1/2	136182	WSTU-GTM-208	136228	WSTU-GT-14	136548	AN-GTM-14-208-D
	2-11/16	136150	WSTU-GT-211	136228	WSTU-GT-14	136539	AN-GT-14-211-D
	70mm	163256	WSTU-GT-70M	136228	WSTU-GT-14	136560	AN-GT-14-70M-D
215	2-15/16	136151	WSTU-GT-215	136229	WSTU-GT-15	136540	AN-GT-15-215-D
	3	@	WSTU-GT-300	136229	WSTU-GT-15	136595	AN-GT-15-300-D
	75mm	136257	WSTU-GT-75M	136229	WSTU-GT-15	136596	AN-GT-15-75M-D

@ Assembled to order

Grip Tight® mounted ball bearings

Selection/Dimensions

Grip Tight mounted ball bearings
 GT normal duty wide slot take-up bearings

Series	Shaft size	Wgt. lb kg	Take-up frame size	A	B	C	D	E	F screw dia.	G	H	J	K	L	M	N	R#	S#	T	Z
209	1-5/8	6.1	WS400	1.85	5.63	0.688	3.25	3.44	1	0.63	0.75	3.25	1.94	2.86	3.985/4.015	4.75	0.62	1.23	1.94	1.26
	1-11/16	6.0	WS400	1.85	5.63	0.688	3.25	3.44	1	0.63	0.75	3.25	1.94	2.86	3.985/4.015	4.75	0.62	1.23	1.94	1.26
	1-3/4	5.9	WS400	1.85	5.63	0.688	3.25	3.44	1	0.63	0.75	3.25	1.94	2.86	3.985/4.015	4.75	0.62	1.23	1.94	1.26
	45mm	2.7	WS400	47.0	143.0	17.48	82.6	87.4	25.4	16.0	19.1	82.6	49.3	72.6	101.22/101.98	120.7	15.7	31.2	49.3	32.0
210	1-15/16	6.4	WS400	1.86	5.82	0.688	3.38	3.56	1	0.63	0.75	3.25	1.94	3.13	3.985/4.015	4.75	0.63	1.23	1.94	1.26
	2	6.30	WS400	1.86	5.82	0.688	3.38	3.56	1	0.63	0.75	3.25	1.94	3.13	3.985/4.015	4.75	0.63	1.23	1.94	1.26
	50mm	2.90	WS400	47.2	147.8	17.48	85.9	90.4	25.4	16.0	19.1	82.6	49.3	79.5	101.22/101.98	120.7	16.0	31.2	49.3	32.0
211	2	10.1	WS502	1.93	6.69	1.063	3.75	4.19	1-1/4	0.75	1.00	4.00	2.50	3.43	5.110/5.114	5.88	0.67	1.26	2.50	1.32
	2-3/16	10.0	WS502	1.93	6.69	1.063	3.75	4.19	1-1/4	0.75	1.00	4.00	2.50	3.43	5.110/5.114	5.88	0.67	1.26	2.50	1.32
	2-1/4	9.9	WS502	1.93	6.69	1.063	3.75	4.19	1-1/4	0.75	1.00	4.00	2.50	3.43	5.110/5.114	5.88	0.67	1.26	2.50	1.32
	55mm	4.5	WS502	49.0	169.9	27.00	95.3	106.4	31.8	19.1	25.4	101.6	63.5	87.1	129.79/129.90	149.4	17.0	32.0	63.5	33.5
212	2-1/4	11.2	WS502	2.12	7.50	1.063	4.00	4.69	1-1/4	0.75	1.25	4.00	2.50	3.69	5.110/5.114	5.88	0.73	1.39	2.50	1.46
	2-7/16	10.8	WS502	2.12	7.50	1.063	4.00	4.69	1-1/4	0.75	1.25	4.00	2.50	3.69	5.110/5.114	5.88	0.73	1.39	2.50	1.46
	60mm	4.9	WS502	53.8	190.5	27.00	101.6	119.1	31.8	19.1	31.8	101.6	63.5	93.7	129.79/129.90	149.4	18.5	35.3	63.5	37.1
214	2-1/2	18.0	WS515	2.39	8.56	1.063	4.75	5.38	1-1/2	0.81	1.25	4.38	2.75	4.00	5.923/5.953	6.56	0.84	1.55	2.75	1.58
	2-11/16	17.8	WS515	2.39	8.56	1.063	4.75	5.38	1-1/2	0.81	1.25	4.38	2.75	4.00	5.923/5.953	6.56	0.84	1.55	2.75	1.58
	70mm	8.2	WS515	60.7	217.4	27.00	120.7	136.7	38.1	20.6	31.8	111.3	69.9	101.6	150.44/151.21	166.6	21.3	39.4	69.9	40.1
215	2-15/16	18.9	WS515	2.46	9.13	1.063	4.75	5.50	1-1/2	0.81	1.25	4.38	2.75	4.44	5.923/5.953	6.69	0.86	1.60	2.75	1.60
	3	18.7	WS515	2.46	9.13	1.063	4.75	5.50	1-1/2	0.81	1.25	4.38	2.75	4.44	5.923/5.953	6.69	0.86	1.60	2.75	1.60
	75mm	8.6	WS515	62.5	231.9	27.00	120.7	139.7	38.1	20.6	31.8	111.3	69.9	112.8	150.44/151.21	169.9	21.8	40.6	69.9	40.6

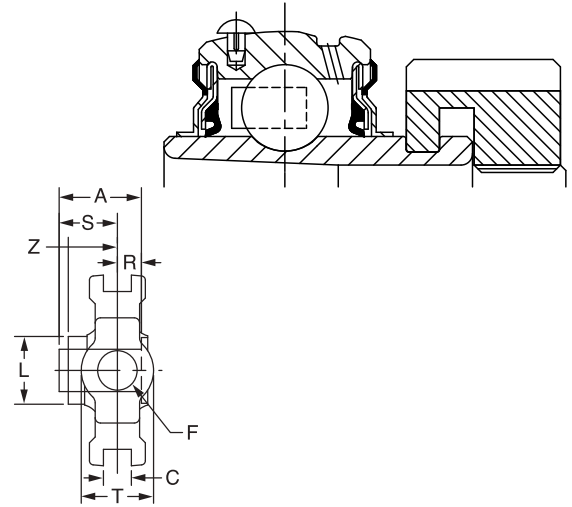
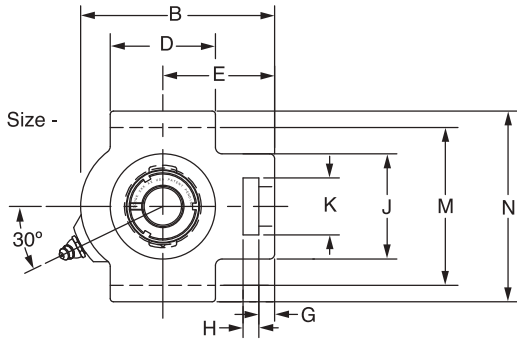
#R & S dimensions will vary slightly depending on true shaft diameter.

Grip Tight® mounted ball bearings

Selection/Dimensions

Grip Tight mounted ball bearings
GTM medium duty wide slot take-up bearings

Lube Fitting Thread Size -
1/8 - 27 NPT



Series	Shaft size	Complete unit		Unit without adapter sleeve & lock nut		Adapter sleeve & lock nut assembly	
		Part no.	Description	Part no.	Description	Part no.	Description
205	3/4	136170	WSTU-GTM-012	136220	WSTU-GT-05	136597	AN-GTM-05-012-D
206	1	136171	WSTU-GTM-100	136221	WSTU-GTU-06	136541	AN-GTM-06-100-D
	25mm	136303	WSTU-GTM-25M	136221	WSTU-GTU-06	136561	AN-GTM-06-25M-D
207	1-3/16	136172	WSTU-GTM-103	136222	WSTU-GT-07	136542	AN-GTM-07-103-D
	1-1/4	136137	WSTU-GT-104	136222	WSTU-GT-07	136528	AN-GT-07-104-D
	30mm	136304	WSTU-GTM-30M	136222	WSTU-GT-07	136562	AN-GTM-07-30M-D
208	1-7/16	136173	WSTU-GTM-107	136223	WSTU-GT-08	136543	AN-GTM-08-107-D
	35mm	136305	WSTU-GTM-35M	136223	WSTU-GT-08	136563	AN-GTM-08-35M-D
209	1-1/2	136174	WSTU-GTM-108	136224	WSTU-GT-09	136598	AN-GTM-09-108-D
	40mm	136306	WSTU-GTM-40M	136224	WSTU-GT-09	136564	AN-GTM-09-40M-D
210	1-11/16	136175	WSTU-GTM-111	136225	WSTU-GT-10	136544	AN-GTM-10-111-D
	1-3/4	136176	WSTU-GTM-112	136225	WSTU-GT-10	136599	AN-GTM-10-112-D
	45mm	136307	WSTU-GTM-45M	136225	WSTU-GT-10	136565	AN-GTM-10-45M-D
211	1-15/16	136177	WSTU-GTM-115	136226	WSTU-GT-11	136545	AN-GTM-11-115-D
	2	136178	WSTU-GTM-200	136226	WSTU-GT-11	136600	AN-GTM-11-200-D
	50mm	136308	WSTU-GTM-50M	136226	WSTU-GT-11	136566	AN-GTM-11-50M-D
212	2-3/16	136179	WSTU-GTM-203	136227	WSTU-GT-12	136546	AN-GTM-12-203-D
	2-1/4	136180	WSTU-GTM-204	136227	WSTU-GT-12	136601	AN-GTM-12-204-D
	55mm	136309	WSTU-GTM-55M	136227	WSTU-GT-12	136567	AN-GTM-12-55M-D
214	2-7/16	136181	WSTU-GTM-207	136228	WSTU-GT-14	136547	AN-GTM-14-207-D
	2-1/2	136182	WSTU-GTM-208	136228	WSTU-GT-14	136548	AN-GTM-14-208-D
	65mm	136310	WSTU-GTM-65M	136228	WSTU-GT-14	136568	AN-GTM-14-65M-D
215	2-11/16	136183	WSTU-GTM-211	136229	WSTU-GT-15	136549	AN-GTM-15-211-D
	70mm	136311	WSTU-GTM-70M	136229	WSTU-GT-15	136569	AN-GTM-15-70M-D
216	2-15/16	136184	WSTU-GTM-215	136230	WSTU-GT-16	136550	AN-GTM-16-215-D
	3	136185	WSTU-GTM-300	136230	WSTU-GT-16	136551	AN-GTM-16-300-D
	75mm	136312	WSTU-GTM-75M	136230	WSTU-GT-16	136570	AN-GTM-16-75M-D

@ Assembled to order

Grip Tight® mounted ball bearings

Selection/Dimensions

Grip Tight mounted ball bearings
GTM medium duty wide slot take-up bearings

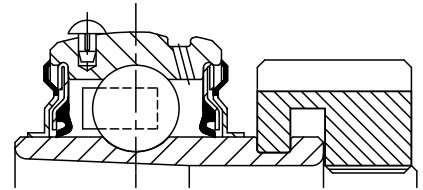
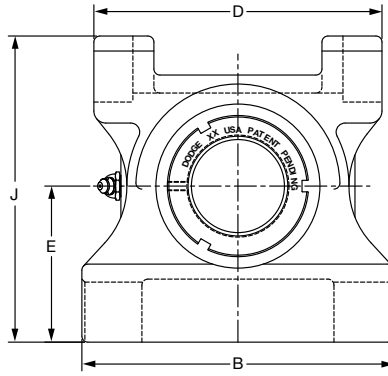
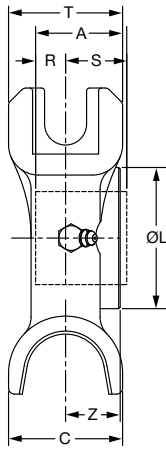
Series	Shaft size	Weight lb kg	Take-up frame size	A	B	C	D	E	F screw dia.	G	H	J	K	L	M	N	R#	S#	T	Z
205	3/4	2.7	WS300	1.46	3.81	0.531	2.00	2.44	5/8	0.38	0.63	2.00	1.31	1.80	2.985/3.015	3.63	0.48	0.98	1.38	1.00
	3/4	2.7	WS300	37.1	96.8	13.49	50.8	62.0	15.9	9.7	16.0	50.8	33.3	45.7	75.82/76.58	92.2	12.2	24.9	35.1	25.4
206	1	4.1	WS308	1.61	4.38	0.531	2.25	2.75	3/4	0.38	0.63	2.19	1.44	2.08	3.480/3.510	4.13	0.52	1.09	1.38	1.13
	25mm	7.3	WS308	40.9	111.3	13.49	57.2	69.9	19.1	9.7	16.0	55.6	36.6	52.8	88.39/89.15	104.9	13.2	27.7	35.1	28.7
	1-3/16	5.1	WS308	1.62	4.87	0.531	2.50	3.06	3/4	0.50	0.63	2.50	1.44	2.38	3.480/3.510	4.13	0.54	1.08	1.63	1.14
207	1-1/4	5.1	WS308		4.87	0.531	2.50	3.06	3/4	0.50	0.63	2.50	1.44	2.38	3.480/3.510	4.13	0.54	1.08	1.63	1.14
	30mm	3.7	WS308	41.1	123.7	13.49	63.5	77.7	19.1	12.7	16.0	63.5	36.6	60.5	88.39/89.15	104.9	13.7	27.4	41.4	29.0
208	1-7/16	7.3	WS400	1.84	5.69	0.688	3.25	3.50	1	0.63	0.75	3.25	1.94	2.62	3.985/4.015	4.50	0.61	1.23	1.94	1.23
	35mm	3.5	WS400	46.7	144.5	17.48	82.6	88.9	25.4	16.0	19.1	82.6	49.3	66.5	101.22/101.98	114.3	15.5	31.2	49.3	31.2
209	1-1/2	7.2	WS400	1.85	5.63	0.688	3.25	3.44	1	0.63	0.75	3.25	1.94	2.86	3.985/4.015	4.75	0.62	1.23	1.94	1.26
	40mm	6.1	WS400	47.0	143.0	17.48	82.6	87.4	25.4	16.0	19.1	82.6	49.3	72.6	101.22/101.98	120.7	15.7	31.2	49.3	32.0
210	1-11/16	7.7	WS400	1.86	5.82	0.688	3.38	3.56	1	0.63	0.75	3.25	1.94	3.13	3.985/4.015	4.75	0.63	1.23	1.94	1.26
	1-3/4	7.7	WS400		5.82	0.688	3.38	3.56	1	0.63	0.75	3.25	1.94	3.13	3.985/4.015	4.75	0.63	1.23	1.94	1.26
	45mm	7.6	WS400	47.2	147.8	17.48	85.9	90.4	25.4	16.0	19.1	82.6	49.3	79.5	101.22/101.98	120.7	16.0	31.2	49.3	32.0
211	1-15/16	11.2	WS502	1.93	6.69	1.063	3.75	4.19	1-1/4	0.75	1.00	4.00	2.50	3.43	5.110/5.114	5.88	0.67	1.26	2.50	1.32
	2	11.2	WS502		6.69	1.063	3.75	4.19	1-1/4	0.75	1.00	4.00	2.50	3.43	5.110/5.114	5.88	0.67	1.26	2.50	1.32
	50mm	11.3	WS502	49.0	169.9	27.00	95.3	106.4	31.8	19.1	25.4	101.6	63.5	87.1	129.79/129.90	149.4	17.0	32.0	63.5	33.5
212	2-3/16	12.6	WS502	2.12	7.50	1.063	4.00	4.69	1-1/4	0.75	1.25	4.00	2.50	3.69	5.110/5.114	5.88	0.73	1.39	2.50	1.46
	2-1/4	12.6	WS502		7.50	1.063	4.00	4.69	1-1/4	0.75	1.25	4.00	2.50	3.69	5.110/5.114	5.88	0.73	1.39	2.50	1.46
	55mm	12.4	WS502	53.8	190.5	27.00	101.6	119.1	31.8	19.1	31.8	101.6	63.5	93.7	129.79/129.90	149.4	18.5	35.3	63.5	37.1
214	2-7/16	19.4	WS515	2.39	8.56	1.063	4.75	5.38	1-1/2	0.81	1.25	4.38	2.75	4.00	5.923/5.953	6.56	0.84	1.55	2.75	1.58
	2-1/2	19.20	WS515		8.56	1.063	4.75	5.38	1-1/2	0.81	1.25	4.38	2.75	4.00	5.923/5.953	6.56	0.84	1.55	2.75	1.58
	65mm	9.3	WS515	60.7	217.4	27.00	120.7	136.7	38.1	20.6	31.8	111.3	69.9	101.6	150.44/151.21	166.6	21.3	39.4	69.9	40.1
215	2-11/16	20.2	WS515	2.46	9.13	1.063	4.75	5.50	1-1/2	0.81	1.25	4.38	2.75	4.44	5.923/5.953	6.69	0.86	1.60	2.75	1.60
	70mm	8.3	WS515	62.5	231.9	27.00	120.7	139.7	38.1	20.6	31.8	111.3	69.9	112.8	150.44/151.21	169.9	21.8	40.6	69.9	40.6
216	2-15/16	22.9	WS608	2.70	9.13	1.063	4.75	2.38	1-1/2	0.81	1.25	4.38	2.75	4.69	6.485/6.515	7.25	0.89	1.81	2.75	1.78
	3	22.9	WS608		9.13	1.063	4.75	2.38	1-1/2	0.81	1.25	4.38	2.75	4.69	6.485/6.515	7.25	0.89	1.81	2.75	1.78
	75mm	9.1	WS608	68.6	231.9	27.00	120.7	60.5	38.1	20.6	31.8	111.3	69.9	119.1	164.72/165.48	184.2	22.6	46.0	69.9	45.2

#R & S dimensions will vary slightly depending on true shaft diameter.

Grip Tight® mounted ball bearings

Selection/Dimensions

Grip Tight mounted ball bearings
GT normal duty top angle take-up bearings



Series	Shaft size	Complete unit		Unit without adapter & nut		Adapter & nut assembly	
		Part no.	Description	Part no.	Description	Part no.	Description
210	1-15/16	136152	TP-GT-115	136231	TP-GT-10	136534	AN-GT-10-115-D
	2	136153	TP-GT-200	136231	TP-GT-10	136535	AN-GT-10-200-D
211	2	136189	TP-GTM-200	136232	TP-GT-11	136558	AN-GTM-11-200-D
	2-3/16	136154	TP-GT-203	136232	TP-GT-11	136536	AN-GT-11-203-D
212	2-1/4	136155	TP-GT-204	136232	TP-GT-11	136537	AN-GT-11-204-D
	2-7/16	136191	TP-GTM-204	136233	TP-GT-12	136559	AN-GTM-12-204-D
214	2-1/2	136193	TP-GTM-208	136234	TP-GT-14	136594	AN-GTM-14-208-D
	2-11/16	136157	TP-GT-211	136234	TP-GT-14	136548	AN-GT-14-211-D
215	2-15/16	136158	TP-GT-215	136235	TP-GT-15	136560	AN-GT-15-215-D

@ Assembled to order

Series	Shaft size	Weight lb	Take-up frame size	A	B	C	D	E	J	L	R#	S#	T	Z
210	1-15/16	11.4	TP10	1.86	6.50	2.38	6.00	3.25	6.38	3.13	0.63	1.23	2.38	1.26
	2	11.2	TP10	1.86	6.50	2.38	6.00	3.25	6.38	3.13	0.63	1.23	2.38	1.26
211	2	13.7	TP20	1.93	7.00	2.50	6.75	3.38	7.88	3.43	0.67	1.26	2.38	1.32
	2-3/16		TP20	1.93	7.00	2.50	6.75	3.38	7.88	3.43	0.67	1.26	2.38	1.32
212	2-1/4	13.2	TP20	1.93	7.00	2.50	6.75	3.38	7.88	3.43	0.67	1.26	2.38	1.32
	2-7/16	17.2	TP30	2.12	7.50	2.75	7.00	3.50	7.44	3.69	0.73	1.39	2.75	1.46
214	2-1/2	22.5	TP40	2.39	8.50	2.50	8.00	4.00	8.31	4.00	0.94	1.45	2.75	1.58
	2-11/16	22.3	TP40	2.39	8.50	2.50	8.00	4.00	8.31	4.00	0.94	1.45	2.75	1.58
215	2-15/16	22.4	TP40	2.46	8.50	2.50	8.00	4.00	8.31	4.44	0.95	1.51	2.75	1.60

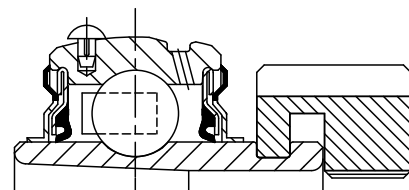
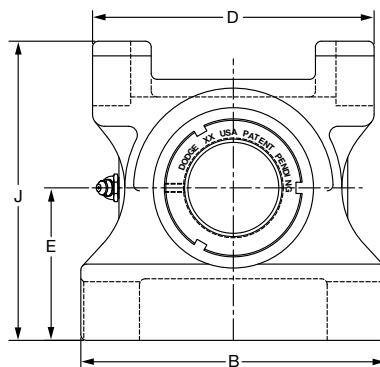
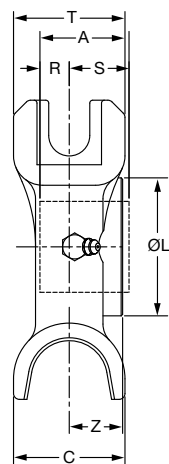
Lube fitting thread size - 1/8-27 NPT

#R & S dimensions will vary slightly depending on true shaft diameter.

Grip Tight[®] mounted ball bearings

Selection/Dimensions

Grip Tight mounted ball bearings
GTM medium duty top angle take-up bearings



Series	Shaft size	Complete unit		Unit without adapter & nut		Adapter & nut assembly	
		Part no.	Description	Part no.	Description	Part no.	Description
210	1-11/16	136186	TP-GTM 111	136231	TP-GT-10	136544	AN-GTM-10-111-D
	1-3/4	136187	TP-GTM-112	136231	TP-GT-10	136599	AN-GTM-10-112-D
211	1-15/16	136188	TP-GTM 115	136232	TP-GT-11	136545	AN-GTM-11-115-D
	2	136189	TP-GTM-200	136232	TP-GT-11	136600	AN-GTM-11-200-D
212	2-3/16	136190	TP-GTM-203	136233	TP-GT-12	136546	AN-GTM-12-203-D
	2-1/4	136191	TP-GTM-204	136233	TP-GT-12	136601	AN-GTM-12-204-D
214	2-7/16	136192	TP-GTM-207	136234	TP-GT-14	136547	AN-GTM-14-207-D
	2-1/2	136193	TP-GTM-208	136234	TP-GT-14	136548	AN-GTM-14-208-D
215	2-11/16	136194	TP-GM-211	136235	TP-GT-15	136549	AN-GTM-15-211-D
216	2-5/16	136195	TP-GTM 215	136236	TP-GT-16	136550	AN-GTM-16-215-D
	3	136196	TP-GTM-300	136236	TP-GT-16	136551	AN-GTM-16-300-D
218	3-7/16	136197	TP-GTM-307	136237	TP-GT-18	136552	AN-GTM-18-307-D
	3-1/2	136198	TP-GTM-308	136237	TP-GT-18	136603	AN-GTM-18-308-D

Series	Shaft size	Weight lb	Take-up frame size	A	B	C	D	E	J	L	R#	S#	T	Z
210	1-11/16	11.6	TP10	1.86	6.50	2.38	6.00	3.25	6.38	3.13	0.63	1.23	2.38	1.26
	1-3/4	11.2	TP10	1.86	6.50	2.38	6.00	3.25	6.38	3.13	0.63	1.23	2.38	1.26
211	1-15/16	14.0	TP20	1.93	7.00	2.50	6.75	3.38	7.88	3.43	0.67	1.26	2.38	1.32
	2	13.7	TP20	1.93	7.00	2.50	6.75	3.38	7.88	3.43	0.67	1.26	2.38	1.32
212	2-3/16	17.4	TP30	2.12	7.50	2.75	7.00	3.50	7.44	3.69	0.73	1.39	2.75	1.46
	2-1/4	17.2	TP30	2.12	7.50	2.75	7.00	3.50	7.44	3.69	0.73	1.39	2.75	1.46
214	2-7/16	22.9	TP40	2.39	8.50	2.50	8.00	4.00	8.31	4.00	0.94	1.45	2.75	1.58
	2-1/2	22.5	TP40	2.39	8.50	2.50	8.00	4.00	8.31	4.00	0.94	1.45	2.75	1.58
215	2-11/16	26.2	TP40	2.46	8.50	2.50	8.00	4.00	8.31	4.44	0.95	1.51	2.75	1.60
216	2-15/16	31.0	TP50	2.70	9.50	2.75	9.00	4.50	9.63	4.69	0.99	1.71	3.13	1.78
	3	30.7	TP50	2.70	9.50	2.75	9.00	4.50	9.63	4.69	0.99	1.71	3.13	1.78
218	3-7/16	41.4	TP50	2.80	11.00	3.13	10.50	5.50	11.00	5.19	1.02	1.78	3.13	1.81
	3-1/2	41.1	TP50	2.80	11.00	3.13	10.50	5.50	11.00	5.19	1.02	1.78	3.13	1.81

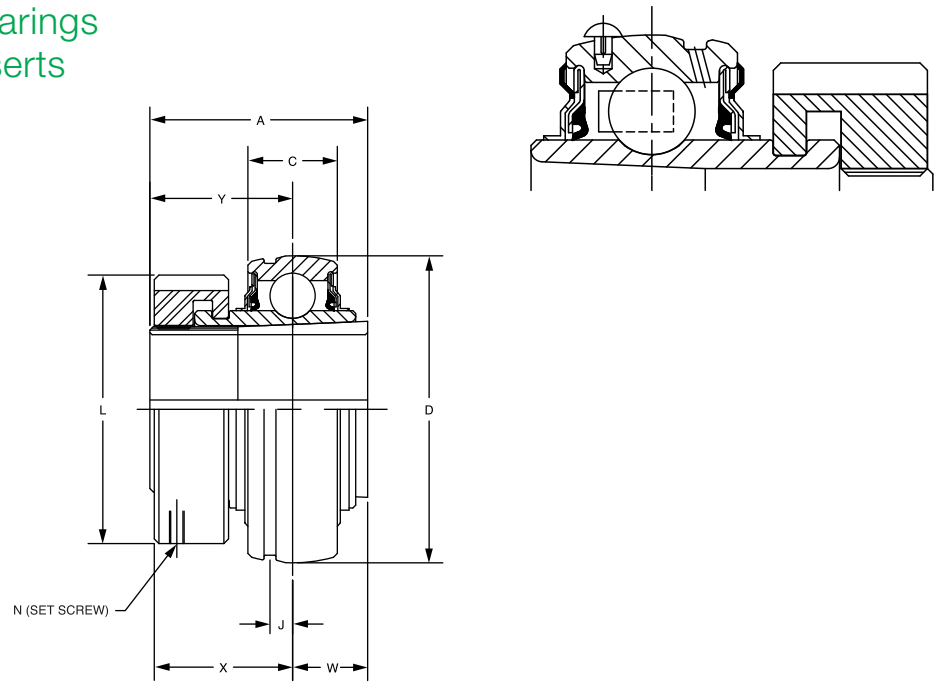
Lube fitting thread size - 1/8-27 NPT

#R & S dimensions will vary slightly depending on true shaft diameter.

Grip Tight® mounted ball bearings

Selection/Dimensions

Grip Tight mounted ball bearings
GT normal duty bearing inserts



Series	Shaft size	Complete unit		Unit without adapter sleeve & lock nut		Adapter sleeve & lock nut assembly	
		Part no.	Description	Part no.	Description	Part no.	Description
203	1/2	129774	INS-GT-008	129516	INS-GT-03	136588	AN-GT-03-008-D
	5/8	129775	INS-GT-010	129516	INS-GT-03	136521	AN-GT-03-010-D
	17mm	129796	INS-GT-17M	129516	INS-GT-03	136589	AN-GT-03-17M-D
204	3/4	129776	INS-GT-012	129517	INS-GT-04	136522	AN-GT-04-012-D
	20mm	129797	INS-GT-20M	129517	INS-GT-04	136553	AN-GT-04-20M-D
205	7/8	129777	INS-GT-014	129518	INS-GT-05	136590	AN-GT-05-014-D
	15/16	129778	INS-GT-015	129518	INS-GT-05	136523	AN-GT-05-015-D
	1	129779	INS-GT-100	129518	INS-GT-05	136524	AN-GT-05-100-D
206	25mm	129798	INS-GT-25M	129518	INS-GT-05	136554	AN-GT-05-25M-D
	1-1/8	129780	INS-GT-102	129519	INS-GT-06	136525	AN-GT-06-102-D
	1-3/16	129781	INS-GT-103	129519	INS-GT-06	136526	AN-GT-06-103-D
	1-1/4	129782	INS-GT-104S	129519	INS-GT-06	136527	AN-GT-06-104S-D
207	30mm	129799	INS-GT-30M	129519	INS-GT-06	136555	AN-GT-06-30M-D
	1-1/4	129783	INS-GT-104	129520	INS-GT-07	136528	AN-GT-07-104-D
	1-3/8	129784	INS-GT-106	129520	INS-GT-07	136591	AN-GT-07-106-D
	1-7/16	129785	INS-GT-107	129520	INS-GT-07	136529	AN-GT-07-107-D
	35mm	129800	INS-GT-35M	129520	INS-GT-07	136556	AN-GT-07-35M-D

@ Assembled to order.

Grip Tight® mounted ball bearings

Selection/Dimensions

Grip Tight mounted ball bearings
GT normal duty bearing inserts

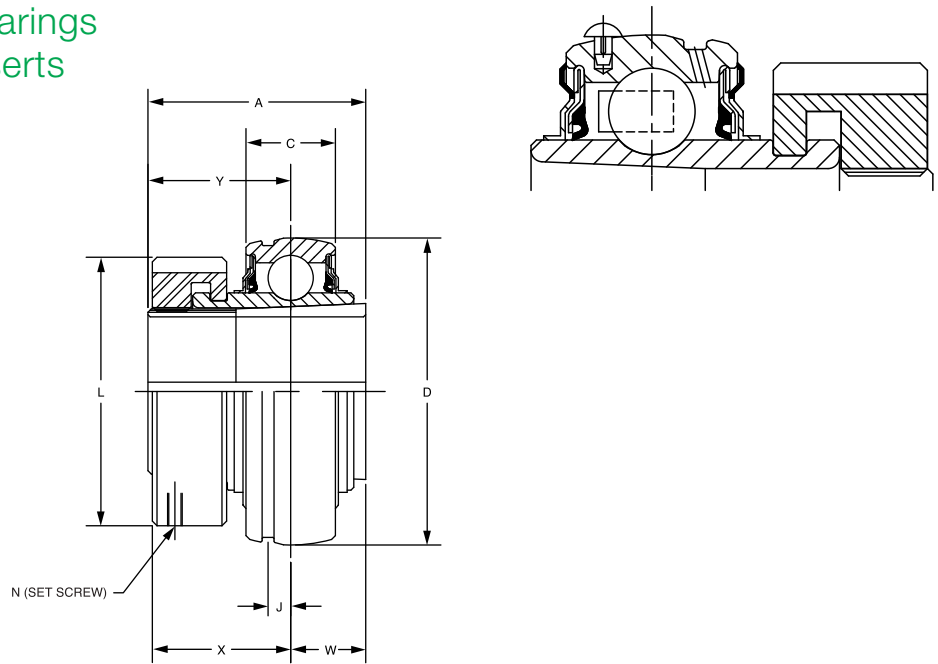
Series	Shaft size	Weight lb kg	A	C	D	J	L	N set screw (UNF)	W#	X	Y#
203	1/2	0.3	1.29	0.51	1.5748	0.15	1.40	#10-32 x 1/4	0.40	0.90	0.89
	5/8	0.3	1.29	0.51	1.5748	0.15	1.40	#10-32 x 1/4		0.90	0.89
	17mm	0.1	32.8	13.0	40.000	3.8	35.6	#10-32 x 1/4	10.2	22.9	22.6
204	3/4	0.6	1.48	0.58	1.8504	0.15	1.50	#10-32 x 1/4	0.46	1.03	1.02
	20mm	0.3	37.6	14.7	47.000	3.8	38.1	#10-32 x 1/4	11.7	26.2	25.9
205	7/8	0.8	1.46	0.59	2.0472	0.16	1.80	#10-32 x 1/4	0.48	1.00	0.98
	15/16	0.8	1.46	0.59	2.0472	0.16	1.80	#10-32 x 1/4		1.00	0.98
	1	0.8	1.46	0.59	2.0472	0.16	1.80	#10-32 x 1/4		1.00	0.98
	25mm	0.4	37.1	15.0	52.000	4.1	45.7	#10-32 x 1/4	12.2	25.4	24.9
206	1-1/8	1.2	1.61	0.69	2.4409	0.16	2.08	#10-32 x 1/4	0.52	1.13	1.09
	1-3/16	1.2	1.61	0.69	2.4409	0.16	2.08	#10-32 x 1/4		1.13	1.09
	1-1/4	1.1	1.61	0.69	2.4409	0.16	2.08	#10-32 x 1/4		1.13	1.09
	30mm	0.6	40.9	17.5	62.000	4.1	52.8	#10-32 x 1/4	13.2	28.7	27.7
207	1-1/4	1.8	1.62	0.75	2.8346	0.20	2.38	#10-32 x 1/4	0.54	1.14	1.08
	1-3/8	1.8	1.62	0.75	2.8346	0.20	2.38	#10-32 x 1/4		1.14	1.08
	1-7/16	1.7	1.62	0.75	2.8346	0.20	2.38	#10-32 x 1/4		1.14	1.08
	35mm	0.8	41.1	19.1	72.000	5.1	60.5	#10-32 x 1/4	13.7	29.0	27.4

#W & Y dimensions will vary slightly depending on true shaft diameter.

Grip Tight® mounted ball bearings

Selection/Dimensions

Grip Tight mounted ball bearings
GT normal duty bearing inserts



Series	Shaft size	Complete unit		Unit without adapter sleeve & lock nut		Adapter sleeve & lock nut assembly	
		Part no.	Description	Part no.	Description	Part no.	Description
208	1-1/2	129786	INS-GT-108	129521	INS-GT-08	136530	AN-GT-08-108-D
	1-5/8	129844	INS-GT-110	129521	INS-GT-08	136592	AN-GT-08-110-D
	40mm	129801	INS-GT-40M	129521	INS-GT-08	136593	AN-GT-08-40M-D
209	1-5/8	129787	INS-GT-110L	129522	INS-GT-09	136531	AN-GT-09-110L-D
	1-11/16	129788	INS-GT-111	129522	INS-GT-09	136532	AN-GT-09-111-D
	1-3/4	129789	INS-GT-112	129522	INS-GT-09	136533	AN-GT-09-112-D
210	45mm	129802	INS-GT-45M	129522	INS-GT-09	136557	AN-GT-09-45M-D
	1-15/16	129790	INS-GT-115	129523	INS-GT-10	136534	AN-GT-10-115-D
	2	129791	INS-GT-200	129523	INS-GT-10	136535	AN-GT-10-200-D
211	50mm	129803	INS-GT-50M	129523	INS-GT-10	136558	AN-GT-10-50M-D
	2	129815	INS-GTM-200	129524	INS-GT-11	136600	AN-GTM-11-200-D
	2-3/16	129792	INS-GT-203	129524	INS-GT-11	136536	AN-GT-11-203-D
212	2-1/4	129845	INS-GT-204	129524	INS-GT-11	136537	AN-GT-11-204-D
	55mm	129804	INS-GT-55M	129524	INS-GT-11	136559	AN-GT-11-55M-D
	2-1/4	129817	INS-GTM-204	129525	INS-GT-12	136601	AN-GTM-12-204-D
214	2-7/16	129793	INS-GT-207	129525	INS-GT-12	136538	AN-GT-12-207-D
	60mm	129805	INS-GT-60M	129525	INS-GT-12	136594	AN-GT-12-60M-D
	2-1/2	129819	INS-GTM-208	129526	INS-GT-14	136548	AN-GTM-14-208-D
215	2-11/16	129794	INS-GT-211	129526	INS-GT-14	136539	AN-GT-14-211-D
	70mm	129806	INS-GT-70M	129526	INS-GT-14	136560	AN-GT-14-70M-D
	2-15/16	129795	INS-GT-215	129527	INS-GT-15	136540	AN-GT-15-215-D
215	3	075681	INS-GT-300	129527	INS-GT-15	136595	AN-GT-15-300-D
	75mm	129807	INS-GT-75M	129527	INS-GT-15	136596	AN-GT-15-75M-D

@ Assembled to order.

Grip Tight® mounted ball bearings

Selection/Dimensions

Grip Tight mounted ball bearings
GT normal duty bearing inserts

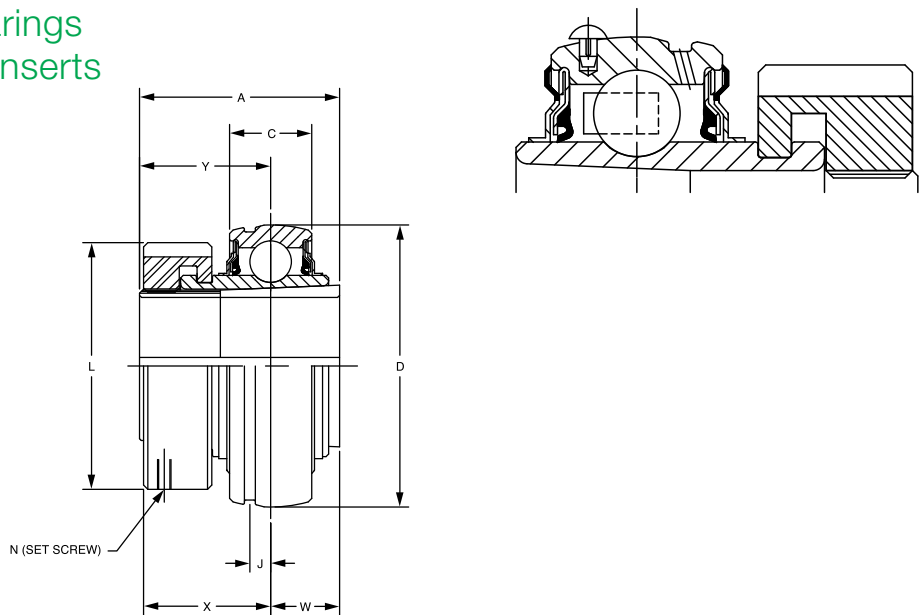
Series	Shaft size	Weight lb kg	A	C	D	J	L	N set screw (UNF)	W#	X	Y#
208	1-1/2	2.2	1.84	0.87	3.1496	0.22	2.62	#10-32 x 1/4	0.61	1.23	1.23
	1-5/8	2.0	1.84	0.87	3.1496	0.22	2.62	#10-32 x 1/4	0.61	1.23	1.23
	40mm	1.0	46.7	22.1	80.000	5.6	66.5	#10-32 x 1/4	15.5	31.2	31.2
209	1-5/8	2.5	1.85	0.87	3.3465	0.25	2.86	#10-32 x 1/4	0.62	1.26	1.23
	1-11/16	2.5	1.85	0.87	3.3465	0.25	2.86	#10-32 x 1/4	0.62	1.26	1.23
	1-3/4	2.5	1.85	0.87	3.3465	0.25	2.86	#10-32 x 1/4	0.62	1.26	1.23
210	45mm	1.2	47.0	22.1	85.000	6.4	72.6	#10-32 x 1/4	15.7	32.0	31.2
	1-15/16	3.0	1.86	0.87	3.5433	0.25	3.13	#10-32 x 1/4	0.63	1.26	1.23
	2	3.0	1.86	0.87	3.5433	0.25	3.13	#10-32 x 1/4	0.63	1.26	1.23
211	50mm	1.4	47.2	22.1	90.000	6.4	79.5	#10-32 x 1/4	16.0	32.0	31.2
	2	3.6	1.93	0.87	3.9370	0.25	3.43	#10-32 x 1/4	0.67	1.32	1.26
	2-3/16	3.4	1.93	0.87	3.9370	0.25	3.43	#10-32 x 1/4	0.67	1.32	1.26
212	2-1/4	3.3	1.93	0.87	3.9370	0.25	3.43	#10-32 x 1/4	0.67	1.32	1.26
	55mm	1.6	49.0	22.1	100.000	6.4	87.1	#10-32 x 1/4	17.0	33.5	32.0
	2-1/4	4.8	2.12	1.02	4.3307	0.25	3.69	#10-32 x 1/4	0.73	1.46	1.39
214	2-7/16	4.8	2.12	1.02	4.3307	0.25	3.69	#10-32 x 1/4	0.73	1.46	1.39
	60mm	2.2	53.8	25.9	110.000	6.4	93.7	#10-32 x 1/4	18.5	37.1	35.3
	2-1/2	5.4	2.39	1.10	4.9213	0.26	4.00	#10-32 x 1/4	0.84	1.58	1.55
215	2-11/16	5.0	2.39	1.10	4.9213	0.26	4.00	#10-32 x 1/4	0.84	1.58	1.55
	70mm	2.5	60.7	27.9	125.000	6.6	101.6	#10-32 x 1/4	21.3	40.1	39.4
	2-15/16	5.9	2.46	1.14	5.1181	0.28	4.44	#10-32 x 1/4	0.86	1.60	1.60
215	3	5.7	2.46	1.14	5.1181	0.28	4.44	#10-32 x 1/4	0.86	1.60	1.60
	75mm	2.7	62.5	29.0	130.000	7.1	112.8	#10-32 x 1/4	21.8	40.6	40.6

#W & Y dimensions will vary slightly depending on true shaft diameter.

Grip Tight® mounted ball bearings

Selection/Dimensions

Grip Tight mounted ball bearings
GTM medium duty bearing inserts



Series	Shaft size	Complete unit		Unit without adapter sleeve & lock nut		Adapter sleeve & lock nut assembly	
		Part no.	Description	Part no.	Description	Part no.	Description
205	3/4	129417	INS-GTM-012	129518	INS-GT-05	136597	AN-GTM-05-012-D
206	1	129808	INS-GTM-100	129519	INS-GT-06	136541	AN-GTM-06-100-D
	25mm	129889	INS-GTM-25M	129519	INS-GT-06	136561	AN-GTM-06-25M-D
207	1-3/16	129809	INS-GTM-103	129520	INS-GT-07	136542	AN-GTM-07-103-D
	1-1/4	129783	INS-GT-104	129520	INS-GT-07	136528	AN-GT-07-104-D
	30mm	129890	INS-GTM-30M	129520	INS-GT-07	136562	AN-GTM-07-30M-D
208	1-7/16	129810	INS-GTM-107	129521	INS-GT-08	136543	AN-GTM-08-107-D
	35mm	129891	INS-GTM-35M	129521	INS-GT-08	136530	AN-GTM-08-35M-D
209	1-1/2	129811	INS-GTM-108	129522	INS-GT-09	136563	AN-GTM-09-108-D
	1-5/8	129787	INS-GT-110L	129522	INS-GT-09	136598	AN-GT-09-110L-D
	40mm	129892	INS-GTM-40M	129522	INS-GT-09	136531	AN-GTM-09-40M-D
210	1-11/16	129812	INS-GTM-111	129523	INS-GT-10	136564	AN-GTM-10-111-D
	1-3/4	129813	INS-GTM-112	129523	INS-GT-10	136544	AN-GTM-10-112-D
	45mm	129893	INS-GTM-45M	129523	INS-GT-10	136599	AN-GTM-10-45M-D
211	1-15/16	129814	INS-GTM-115	129524	INS-GT-11	136545	AN-GTM-11-115-D
	2	129815	INS-GTM-200	129524	INS-GT-11	136600	AN-GTM-11-200-D
	50mm	129894	INS-GTM-50M	129524	INS-GT-11	136566	AN-GTM-11-50M-D
212	2-3/16	129816	INS-GTM-203	129525	INS-GT-12	136546	AN-GTM-12-203-D
	2-1/4	129817	INS-GTM-204	129525	INS-GT-12	136601	AN-GTM-12-204-D
	55mm	129895	INS-GTM-55M	129525	INS-GT-12	136567	AN-GTM-12-55M-D
214	2-7/16	129818	INS-GTM-207	129526	INS-GT-14	136547	AN-GTM-14-207-D
	2-1/2	129819	INS-GTM-208	129526	INS-GT-14	136548	AN-GTM-14-208-D
	65mm	129896	INS-GTM-65M	129526	INS-GT-14	136568	AN-GTM-14-65M-D
215	2-11/16	129820	INS-GTM-211	129527	INS-GT-15	136549	AN-GTM-15-211-D
	70mm	129897	INS-GTM-70M	129527	INS-GT-15	136569	AN-GTM-15-70M-D
216	2-15/16	129821	INS-GTM-215	129528	INS-GT-16	136550	AN-GTM-16-215-D
	3	129822	INS-GTM-300	129528	INS-GT-16	136551	AN-GTM-16-300-D
	75mm	129898	INS-GTM-75M	129528	INS-GT-16	136570	AN-GTM-16-75M-D
218	3-7/16	129823	INS-GTM-307	129529	INS-GT-18	136552	AN-GTM-18-307-D
	3-1/2	129824	INS-GTM-308	129529	INS-GT-18	136603	AN-GTM-18-308-D
	85mm	129899	INS-GTM-85M	129529	INS-GT-18	136571	AN-GTM-18-85M-D

@ Assembled to order.

Grip Tight® mounted ball bearings

Selection/Dimensions

Grip Tight mounted ball bearings
GTM medium duty bearing inserts

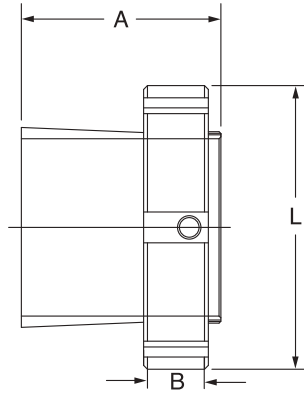
Series	Shaft size	Weight lb kg	A	C	D	J	L	N Set screw (UNF)	W#	X	Y#
205	3/4	0.9	1.46	0.59	2.0472	0.16	1.80	#10-32 x 1/4	0.48	1.00	0.98
	3/4	0.9	37.1	15.0	52.000	4.1	45.7	#10-32 x 1/4	12.2	25.4	24.9
206	1	1.8	1.61	0.69	2.4409	0.16	2.08	#10-32 x 1/4	0.52	1.13	1.09
	25mm	0.8	40.9	17.5	62.000	4.1	52.8	#10-32 x 1/4	13.2	28.7	27.7
207	1-3/16	2.2	1.62	0.75	2.8346	0.20	2.38	#10-32 x 1/4	0.54	1.14	1.08
	1-1/4	1.7	1.62	0.75	2.8346	0.20	2.38	#10-32 x 1/4	0.54	1.14	1.08
	30mm	1.0	41.1	19.1	72.000	5.1	60.5	#10-32 x 1/4	13.7	29.0	27.4
208	1-7/16	2.5	1.84	0.87	3.1496	0.22	2.62	#10-32 x 1/4	0.61	1.23	1.23
	35mm	1.1	46.7	22.1	80.000	5.6	66.5	#10-32 x 1/4	15.5	31.2	31.2
209	1-1/2	3.0	1.85	0.87	3.3465	0.25	2.86	#10-32 x 1/4	0.62	1.26	1.23
	1-5/8	2.5	1.85	0.87	3.3465	0.25	2.86	#10-32 x 1/4	0.62	1.26	1.23
	40mm	1.1	47.0	22.1	85.000	6.4	72.6	#10-32 x 1/4	15.7	32.0	31.2
210	1-11/16	3.0	1.86	0.87	3.5433	0.25	3.13	#10-32 x 1/4	0.63	1.26	1.23
	1-3/4	3.0	1.86	0.87	3.5433	0.25	3.13	#10-32 x 1/4	0.63	1.26	1.23
	45mm	1.4	47.2	22.1	90.000	6.4	79.5	#10-32 x 1/4	16.0	32.0	31.2
211	1-15/16	3.4	1.93	0.87	3.9370	0.25	3.43	#10-32 x 1/4	0.67	1.32	1.26
	2	3.3	1.93	0.87	3.9370	0.25	3.43	#10-32 x 1/4	0.67	1.32	1.26
	50mm	1.5	49.0	22.1	100.000	6.4	87.1	#10-32 x 1/4	17.0	33.5	32.0
212	2-3/16	4.9	2.12	1.02	4.3307	0.25	3.69	#10-32 x 1/4	0.73	1.46	1.39
	2-1/4	4.8	2.12	1.02	4.3307	0.25	3.69	#10-32 x 1/4	0.73	1.46	1.39
	55mm	2.2	53.8	25.9	110.000	6.4	93.7	#10-32 x 1/4	18.5	37.1	35.3
214	2-7/16	5.5	2.39	1.10	4.9213	0.26	4.00	#10-32 x 1/4	0.84	1.58	1.55
	2-1/2	5.4	2.39	1.10	4.9213	0.26	4.00	#10-32 x 1/4	0.84	1.58	1.55
	65mm	2.5	60.7	27.9	125.000	6.6	101.6	#10-32 x 1/4	21.3	40.1	39.4
215	2-11/16	5.9	2.46	1.14	5.1181	0.28	4.44	#10-32 x 1/4	0.86	1.60	1.60
	70mm	2.7	62.5	29.0	130.000	7.1	112.8	#10-32 x 1/4	21.8	40.6	40.6
216	2-15/16	6.9	2.70	1.18	5.5118	0.29	4.69	#10-32 x 1/4	0.89	1.78	1.81
	3	6.8	2.70	1.18	5.5118	0.29	4.69	#10-32 x 1/4	0.89	1.78	1.81
	75mm	3.2	68.6	30.0	140.000	7.4	119.1	#10-32 x 1/4	22.6	45.2	46.0
218	3-7/16	8.8	2.80	1.34	6.2992	0.30	5.19	#10-32 x 1/4	0.96	1.81	1.84
	3-1/2	8.7	2.80	1.34	6.2992	0.30	5.19	#10-32 x 1/4	0.96	1.81	1.84
	85mm	4.0	71.1	34.0	160.000	7.6	131.8	#10-32 x 1/4	24.4	46.0	46.7

#W & Y dimensions will vary slightly depending on true shaft diameter.

Grip Tight[®] mounted ball bearings

Selection/Dimensions

Grip Tight mounted ball bearings
GT and GTM adapter & lock nut assemblies



Series	Shaft size	Adapter sleeve & lock nut assembly	
		Part no.	Description
203	1/2	136588	AN-GT-03-008-D
	5/8	136521	AN-GT-03-010-D
	17mm	136589	AN-GT-03-17M-D
204	3/4	136522	AN-GT-04-012-D
	20mm	136553	AN-GT-04-20M-D
205	3/4	136597	AN-GTM-05-012-D
	7/8	136590	AN-GT-05-014-D
	15/16	136523	AN-GT-05-015-D
	1	136524	AN-GT-05-100-D
206	25mm	136554	AN-GT-05-25M-D
	1	136541	AN-GTM-06-100-D
	1-1/8	136525	AN-GT-06-102-D
	1-3/16	136526	AN-GT-06-103-D
207	1-1/4	136527	AN-GT-06-104S-D
	25mm	136561	AN-GTM-06-25M-D
	30mm	136555	AN-GT-06-30M-D
	1-3/16	136542	AN-GTM-07-103-D
	1-1/4	136528	AN-GT-07-104-D
208	1-3/8	136591	AN-GT-07-106-D
	1-7/16	136529	AN-GT-07-107-D
	30mm	136556	AN-GTM-07-30M-D
	35mm	136562	AN-GT-07-35M-D
	1-7/16	136543	AN-GTM-08-107-D
209	1-1/2	136530	AN-GT-08-108-D
	1-5/8	136592	AN-GT-08-110-D
	35mm	136563	AN-GTM-08-35M-D
	40mm	136593	AN-GT-08-40M-D
	1-1/2	136598	AN-GTM-09-108-D
209	1-5/8	136531	AN-GT-09-110L-D
	1-11/16	136532	AN-GT-09-111-D
	1-3/4	136533	AN-GT-09-112-D
	40mm	136564	AN-GTM-09-40M-D
	45mm	136557	AN-GT-09-45M-D

Series	Shaft size	Adapter sleeve & lock nut assembly	
		Part no.	Description
210	1-11/16	136544	AN-GTM-10-111-D
	1-3/4	136599	AN-GTM-10-112-D
	1-15/16	136534	AN-GT-10-115-D
	2	136535	AN-GT-10-200-D
	45mm	136565	AN-GTM-10-45M-D
211	50mm	136558	AN-GT-10-50M-D
	1-15/16	136545	AN-GTM-11-115-D
	2	136600	AN-GTM-11-200-D
	2-3/16	136536	AN-GT-11-203-D
212	2-1/4	136537	AN-GT-11-204-D
	50mm	136566	AN-GTM-11-50M-D
	55mm	136559	AN-GT-11-55M-D
	2-3/16	136546	AN-GTM-12-203-D
	2-1/4	136601	AN-GTM-12-204-D
214	2-7/16	136538	AN-GT-12-207-D
	55mm	136567	AN-GTM-12-55M-D
	60mm	136594	AN-GT-12-60M-D
	2-7/16	136547	AN-GTM-14-207-D
	2-1/2	136548	AN-GTM-14-208-D
215	2-11/16	136539	AN-GT-14-211-D
	65mm	136568	AN-GTM-14-65M-D
	70mm	136560	AN-GT-14-70M-D
	2-11/16	136549	AN-GTM-15-211-D
	2-15/16	136540	AN-GT-15-215-D
216	3	136595	AN-GT-15-300-D
	70mm	136569	AN-GTM-15-70M-D
	75mm	136596	AN-GT-15-75M-D
	2-15/16	136550	AN-GTM-16-215-D
	3	136551	AN-GTM-16-300-D
218	75mm	136570	AN-GTM-16-75M-D
	3-7/16	136552	AN-GTM-18-307-D
	3-1/2	136603	AN-GTM-18-308-D
218	85mm	136571	AN-GTM-18-85M-D

Grip Tight® mounted ball bearings

Selection/Dimensions

Grip Tight mounted ball bearings
GT and GTM adapter & lock nut assemblies

Series	Shaft size	Weight lb kg	A	B	L
203	1/2	.3	1.29	0.52	1.40
	5/8	.2	1.29	0.52	1.40
	17mm	.1	32.8	13.2	35.6
204	3/4	.3	1.48	0.58	1.50
	20mm	.1	37.6	14.7	38.1
205	3/4	.4	1.46	0.58	1.80
	7/8	.4	1.46	0.58	1.80
	15/16	.4	1.46	0.58	1.80
	1	.3	1.46	0.58	1.80
206	25mm	.1	37.1	14.7	45.7
	1	.5	1.61	0.63	2.08
206	1-1/8	.4	1.61	0.63	2.08
	1-3/16	.4	1.61	0.63	2.08
	1-1/4	.3	1.61	0.63	2.08
	25mm	.2	1.61	0.63	2.08
	30mm	.2	40.9	16.0	52.8
207	1-3/16	.7	1.62	0.63	2.38
	1-1/4	.6	1.62	0.63	2.38
	1-3/8	.5	1.62	0.63	2.38
	1-7/16	.5	1.62	0.63	2.38
	30mm	.2	41.1	16.0	60.5
208	35mm	.2	41.1	16.0	60.5
	1-7/16	.8	1.84	0.63	2.62
208	1-1/2	.7	1.84	0.63	2.62
	1-5/8	.5	1.84	0.63	2.62
	35mm	.4	46.7	16.0	66.5
	40mm	.3	46.7	16.0	66.5
209	1-1/2	.9	1.85	0.65	2.86
	1-5/8	.8	1.85	0.65	2.86
	1-11/16	.7	1.85	0.65	2.86
	1-3/4	.6	1.85	0.65	2.86
	40mm	.4	47.0	16.5	72.6
	45mm	.3	47.0	16.5	72.6

Series	Shaft size	Weight lb kg	A	B	L
210	1-11/16	1.1	1.86	0.65	3.13
	1-3/4	1.0	1.86	0.65	3.13
	1-15/16	.8	1.86	0.65	3.13
	2	.7	1.86	0.65	3.13
	45mm	.5	47.2	16.5	79.5
211	50mm	.3	47.2	16.5	79.5
	1-15/16	1.4	1.93	0.68	3.43
211	2	1.2	1.93	0.68	3.43
	2-3/16	.9	1.93	0.68	3.43
	2-1/4	.8	1.93	0.68	3.43
	50mm	.6	49.0	17.3	87.1
	55mm	.4	49.0	17.3	87.1
212	2-3/16	1.6	2.12	0.75	3.69
	2-1/4	1.5	2.12	0.75	3.69
	2-7/16	1.1	2.12	0.75	3.69
	55mm	.7	53.8	19.1	93.7
	60mm	.6	53.8	19.1	93.7
214	2-7/16	2.2	2.39	0.75	4.00
	2-1/2	2.0	2.39	0.75	4.00
	2-11/16	1.5	2.39	0.75	4.00
	65mm	.8	60.7	19.1	101.6
	70mm	.6	60.7	19.1	101.6
215	2-11/16	3.0	2.46	0.75	4.44
	2-15/16	2.2	2.46	0.75	4.44
	3		2.46	0.75	4.44
	70mm	1.3	62.5	19.1	112.8
216	75mm	1.0	62.5	19.1	112.8
	2-15/16	3.0	2.70	0.75	4.69
216	3	2.8	2.70	0.75	4.69
	75mm	1.4	68.6	19.1	119.1
218	3-7/16	3.4	2.80	0.83	5.19
	3-1/2	3.1	2.80	0.83	5.19
	85mm	1.7	71.1	21.1	131.8

Grip Tight[®] mounted ball bearings

Related products

Dodge snap-on end covers

Enhanced sealing / safer work environment

Housing designed for snap-on end cover

GT and GTM bearings contain a machined groove in the housing to accommodate a snap-on style polymer end cover. The end cover provides additional protection from the environment and creates a safer working environment for employees maintaining equipment. The snap-on style end cover incorporates an additional lip on the mounting surface for a more rigid fit within the housing and enhanced sealing. The design is more durable than a blot-on style that uses the grease fitting to secure the cover in place and can be easily knocked off the bearing housings. Closed and open end covers are available.

- Available as a standard feature for GT/GTM
- Machined groove in housing accommodates snap-on style polymer end cover
- Extended lip on the outer diameter of end cover provides a secure fit and positive sealing
- Provides additional layer of protection in harsh environments
- Creates a safer work environment for employees
- OSHA approved yellow
- Closed and open end covers available



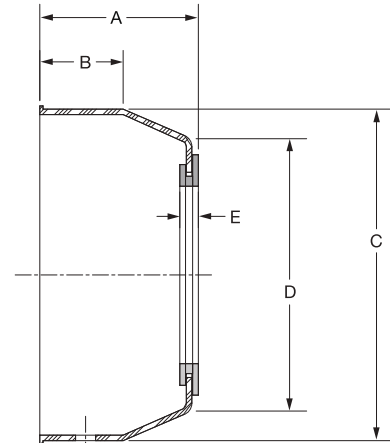
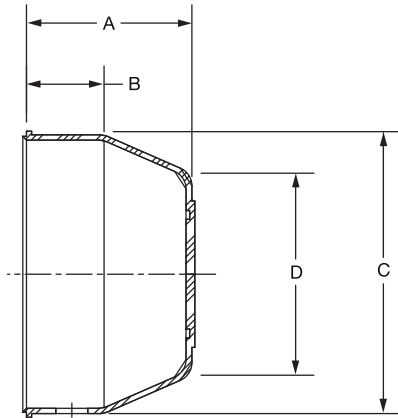
Extended lip provides a secure fit and positive sealing



Grip Tight® mounted ball bearings

Related products

Snap-on end covers



Series	Closed end covers	
	Part number	Description
204	128280	EC-204-Y
	128280	EC-204-Y
205	128281	EC-205-Y
	128281	EC-205-Y
206	128282	EC-206-Y
	128282	EC-206-Y
	128282	EC-206-Y
207	128283	EC-207-Y
	128283	EC-207-Y
	128283	EC-207-Y
208	128284	EC-208-Y
	128284	EC-208-Y
209	128285	EC-209-Y
	128285	EC-209-Y
210	128286	EC-210-Y
	128286	EC-210-Y
211	128277	EC-211-Y
	128277	EC-211-Y
	128277	EC-211-Y
	128277	EC-211-Y
	128277	EC-211-Y
212	128278	EC-212-Y
	128278	EC-212-Y
	128278	EC-212-Y
	128278	EC-212-Y
	128278	EC-212-Y
214	128220	EC-214
	128220	EC-214
	128220	EC-214
	128220	EC-214
	128220	EC-214
215	128221	EC-215
	128221	EC-215
	128221	EC-215
	128221	EC-215
216	128222	EC-216
	128222	EC-216
	128222	EC-216
	128222	EC-216
218	128223	EC-218
	128223	EC-218
	128223	EC-218
	128223	EC-218

Open end covers		
Shaft size	Part number	Description
3/4	128350	ECO-012-Y
20mm	128363	ECO-20M-Y
1	128351	ECO-100-Y
25mm	128364	ECO-25M-Y
1-3/16	128352	ECO-103-Y
1-1/4	128353	ECO-104S-Y
30mm	128365	ECO-30M-Y
1-1/4	128355	ECO-104-Y
1-7/16	128354	ECO-107-Y
35mm	128366	ECO-35M-Y
1-1/2	128356	ECO-108-Y
40mm	128367	ECO-40M-Y
1-11/16	128357	ECO-111-Y
45mm	128368	ECO-45M-Y
1-15/16	128358	ECO-115-Y
50mm	128369	ECO-50M-Y
1-15/16	079702	ECO-115 (211)
2	079701	ECO-200 (211)
2-3/16	079700	ECO-203 (211)
2-1/4	079699	ECO-204 (211)
50mm	079698	ECO-50M (211)
55mm	079697	ECO-55M (211)
2-3/16	079696	ECO-203 (212)
2-1/4	079695	ECO-204 (212)
2-7/16	079694	ECO-207 (212)
55mm	079693	ECO-55M (212)
60mm	079692	ECO-60M (212)
2-7/16	127328	ECO-207 (214)
2-1/2	127329	ECO-208 (214)
2-11/16	127330	ECO-211 (214)
65mm	127337	ECO-65M (214)
70mm	127338	ECO-70M (214)
2-11/16	127331	ECO-211 (215)
2-15/16	127332	ECO-215 (215)
70mm	127339	ECO-70M (215)
75mm	127340	ECO-75M (215)
2-15/16	127333	ECO-215 (216)
3	127334	ECO-300 (216)
75mm	127340	ECO-75M (216)
3-7/16	127335	ECO-307 (218)
3-1/2	127336	ECO-308 (218)
85mm	127342	ECO-85M (218)
90mm	127343	ECO-90M (218)

Grip Tight[®] mounted ball bearings

Related products

Snap-on end covers

Open cover dimensions

Series	Shaft size	A	B	C	D	E
204	3/4	1,19	0,53	1,91	1,38	0,19
	20mm	30,2	13,5	48,4	35,1	4,9
205	1	1,25	0,53	2,17	1,61	0,19
	25mm	31,8	13,5	55,1	40,9	4,9
206	1-3/16	1,39	0,56	2,50	0,97	0,19
	1-1/4					
	30mm	35,3	14,2	63,5	50,0	4,9
207	1-1/4	1,53	0,69	2,91	2,31	0,19
	1-7/16					
	35mm	38,9	17,5	73,9	58,9	4,9
208	1-1/2	1,59	0,69	3,31	2,77	0,20
	40mm	40,6	17,5	84,1	70,1	5,1
209	1-11/16	1,66	0,72	3,50	2,88	0,20
	45mm	41,9	18,3	88,9	72,9	5,1
210	1-15/16	1,72	0,91	3,63	3,00	0,20
	50mm	43,7	23,1	91,4	76,2	5,1
211	1-15/16	1,80	0,97	3,94	3,30	0,21
	2	1,80	0,97	3,94	3,30	0,21
	2-3/16	1,80	0,97	3,94	3,30	0,21
	2-1/4	1,80	0,97	3,94	3,30	0,21
	50mm	1,80	0,97	3,94	3,30	0,21
	55mm	45,5	24,6	100,1	83,6	5,3
212	2-3/16	1,91	1,00	4,38	3,66	0,21
	2-1/4	1,91	1,00	4,38	3,66	0,21
	2-7/16	1,91	1,00	4,38	3,66	0,21
	55mm	1,91	1,00	4,38	3,66	0,21
	60mm	48,3	25,4	111,3	92,7	5,3
214	2-7/16	3,00	1,50	4,90	3,75	0,30
	2-1/2	3,00	1,50	4,90	3,75	0,30
	2-11/16	3,00	1,50	4,90	3,75	0,30
	65mm	3,00	1,50	4,90	3,75	0,30
	70mm	76,2	38,1	124,5	95,3	5,3
215	2-11/16	3,00	1,50	5,20	4,00	0,30
	2-15/16	3,00	1,50	5,20	4,00	0,30
	70mm	3,00	1,50	5,20	4,00	0,30
	75mm	76,2	38,1	132,1	101,6	5,3
216	2-15/16	3,00	1,50	5,50	4,38	0,30
	3	3,00	1,50	5,50	4,38	0,30
	75mm	76,2	38,1	139,7	111,1	5,3
218	3-7/16	3,09	1,50	6,25	5,00	0,30
	3-1/2	3,09	1,50	6,25	5,00	0,30
	85mm	3,09	1,50	6,25	5,00	0,30
	90mm	78,6	38,1	158,8	127,0	5,3

Closed cover dimensions

Series	A	B	C	D
204	1,13	0,53	1,91	1,38
	28,7	13,5	48,4	35,1
205	0,19	0,53	2,17	1,61
	30,2	13,5	55,1	40,9
206	1,33	0,56	2,50	0,97
	1,33	0,56	2,50	0,97
	33,8	14,2	63,5	50,0
207	1,47	0,69	2,91	2,31
	1,47	0,69	2,91	2,31
	37,3	17,5	73,9	58,9
208	1,55	0,69	3,31	2,77
	39,1	17,5	84,1	70,1
209	1,59	0,72	3,50	2,88
	40,4	18,3	88,9	72,9
210	1,66	0,91	3,62	3,00
	42,2	23,1	91,4	76,2
211	1,80	0,97	3,94	3,30
	1,80	0,97	3,94	3,30
	1,80	0,97	3,94	3,30
	1,80	0,97	3,94	3,30
	45,5	24,6	100,1	83,6
	45,5	24,6	100,1	83,6
212	1,91	1,00	4,38	3,66
	1,91	1,00	4,38	3,66
	1,91	1,00	4,38	3,66
	1,91	1,00	4,38	3,66
	48,3	25,4	111,3	92,7
214	3,00	1,50	4,90	3,75
	3,00	1,50	4,90	3,75
	3,00	1,50	4,90	3,75
	76,2	38,1	124,5	95,3
	76,2	38,1	124,5	95,3
215	3,00	1,50	5,20	4,00
	3,00	1,50	5,20	4,00
	76,2	38,1	132,1	101,6
	76,2	38,1	132,1	101,6
216	3,00	1,50	5,50	4,38
	3,00	1,50	5,50	4,38
	76,2	38,1	139,7	111,1
218	3,09	1,50	6,25	5,00
	3,09	1,50	6,25	5,00
	78,6	38,1	158,8	127,0
	78,6	38,1	158,8	127,0

Grip Tight[®] mounted ball bearings

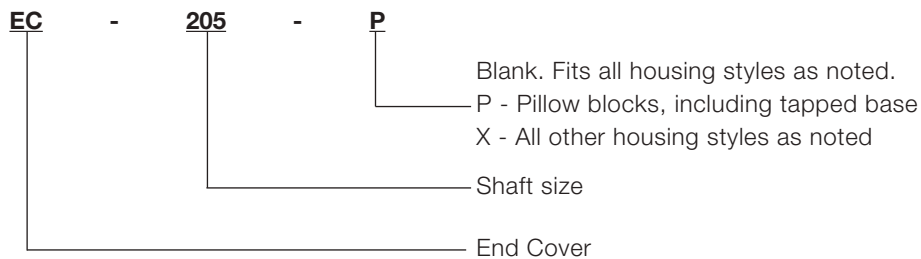
Related products

Dodge ball bearing end covers

- Fits Dodge cast iron housed ball bearings: Pillow blocks, 2 and 4-bolt flanges, and take-up bearings
- Injected molded, impact resistant, OSHA safety yellow end covers meet requirements for exposed rotating shafts
- Stainless steel .C. washer for gripping power
- No modification or machining of existing housings required
- Concentric knockout grooves on inside of end cover for thru-shaft
- Dodge six digit part number and description embossed inside
- Operating temperature to 250° F
- For no relubrication/sealed for life applications (-NL), part number 430020 hex head plug is available



Nomenclature



Series	Pillow blocks std, U, B	Tapped base PB	2-bolt flange	Flanged bracket	4-bolt flange	Piloted flange (FC)	Narrow slot take-up	Wide slot take-up
203	X		X		X			
204	X	X	X	X	X		X	X
205	X	X	X	X	X		X	X
206	X	X	X	X	X	@	X	X
207	X	X	X	X	X	@	X	X
208	X	X	X		X	@	X	X
209	X	X	X		X	@	X	X
210	X	X	X	X	X	@	X	X
211	X	X	X		X	NA	X	X
212	X		X		X	NA	X	X
214	X				X	NA		X
215	X				X			X
216	X				X	X		X
218	X				X	X		

* = Will not fit LF, LFT, SCHB, HNGR & CYL

@ = Some modification required

NA = Will not fit

X = Will fit

Grip Tight[®] mounted ball bearings

Notes

Plummer blocks

Contents

Metric-dimensioned housings

Features/Benefits

6-3	ISN
6-4	ISN and ISNX nomenclature
6-14	ISNX
6-18	SNX/SDX

Selection/Dimensions

Selection

6-5	ISN plummer block
6-16	ISNX hydraulic
6-21	SNX
6-22	SDX

Dimensions

6-11	ISN
6-12	ISN lockplate kits
6-12	ISN end covers
6-14	ISN Spanner wrenches
6-17	ISNX hydraulic
6-24	SNX
6-39	SDX

INDEX-1 Part number index

INDEX-59 Key word index

Plummer blocks

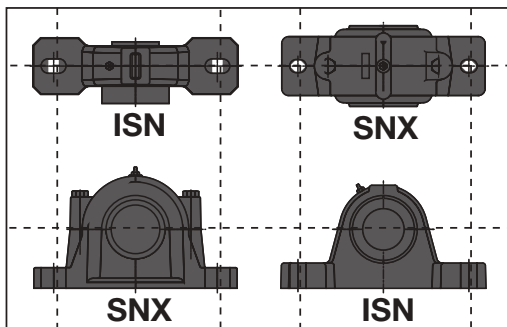
Features/Benefits

ISN

Shaft ready / Adapter mount / SN dimensions

Patented adapter mounting system

- Quick installation and removal
- Clearance setting without feeler gauges
- Full shaft contact reduces or eliminates fretting corrosion
- Locknut tightens the bearing on the shaft when turned clockwise
- Counter-clockwise rotation of the locknut loosens the bearing from the shaft
- 22200 series spherical roller bearing with steel cage and guide ring
- 2-bolt housings are cast iron
- 4-bolt housings are ductile iron



2-bolt housings: 35 to 140mm

4-bolt housings: 150-170mm



Dimensionally interchangeable with housings of the SN family.
Preassembled - no risk of bearing contamination during field assembly or incorrect parts.

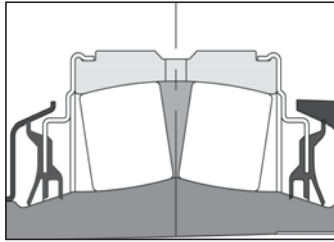
Stronger feet for higher load capacity.

Cast-in drilling location dimples: for dowels or four-bolt mounting.

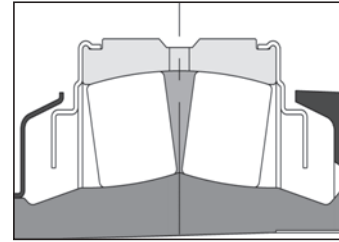
Plummer blocks

Features/Benefits

ISN seal options



Trident™ seal - Patented design triple-lip rubbing seal with corrosion resistant flingers; positive seal contact up to $\pm 1^\circ$ misalignment.



Labyrinth seal - Patented design clearance steel seal carrier with corrosion resistant flingers. High speed or temperature applications.

ISN and ISNX Hyd Bearing nomenclature

P2B524 - ISN - 110MFR

Housing style options:

P2B = Plummer block, 2-bolt base, cast iron
P4B = Plummer block, 4-bolt base, ductile iron

Housing size:

5xx describes the associated DIN - SN pillow block housing size

M = Size in millimeters

Other data / seals:

F = Non expansion
L = Expansion (non-locating)
R = Rubber contact seal
S = Labyrinth seal
HYD = Integral hydraulic mounting/dismounting

Bearing type options:

ISN = SN style w/imperial locking mechanism
ISNX = Hydraulic mount/dismount

Plummer blocks

Selection

ISN ratings

Table 1: ISN spherical roller bearings

Housing	Bearings	Maximum allowable adapter thrust kN	Basic load ratings			FA/FR ≤ e		FA/FR > e		Max. RPM ★		Maximum expansion
			Dynamic capacity (C) kN	Static capacity (C0) kN	e	X1	Y1	X2	Y2	Trident seal	Labyrinth seal	
507	22208	2,7	93	94	0,28	1,0	2,4	0,67	3,6	3975	6000	3,18
508	22208	2,7	93	94	0,28	1,0	2,4	0,67	3,6	3975	6000	3,18
509	22209	3,1	93	105	0,26	1,0	2,6	0,67	3,9	3725	5600	3,18
510	22210	3,4	98	118	0,24	1,0	2,8	0,67	4,2	3520	5300	6,35
511	22210	3,4	98	118	0,24	1,0	2,8	0,67	4,2	3520	5300	6,35
512	22211	4,1	120	145	0,23	1,0	2,9	0,67	4,3	3000	4500	6,35
513	22213	6,0	174	216	0,24	1,0	2,8	0,67	4,2	2400	3800	6,35
515	22215	7,0	185	236	0,22	1,0	3,1	0,67	4,6	2250	3400	6,35
516	22215	7,0	185	236	0,22	1,0	3,1	0,67	4,6	2250	3400	6,35
517	22215	7,0	185	236	0,22	1,0	3,1	0,67	4,6	2250	3400	6,35
518	22218	10,8	285	363	0,23	1,0	2,9	0,67	4,3	1825	2600	6,35
519	22218	10,8	285	363	0,23	1,0	2,9	0,67	4,3	1825	2600	6,35
520	22220	13,8	369	463	0,24	1,0	2,8	0,67	4,2	1530	2200	7,94
522	22220	13,8	369	463	0,24	1,0	2,8	0,67	4,2	1530	2200	7,94
524	22222	17,5	463	587	0,25	1,0	2,7	0,67	4,0	1325	2000	9,53
526	22226	25,0	650	872	0,26	1,0	2,6	0,67	4,0	1175	1800	9,53
528	22226	25,0	650	872	0,26	1,0	2,6	0,67	4,0	1175	1800	9,53
530	22228	28,5	738	1050	0,25	1,0	2,7	0,67	4,0	1100	1700	9,53
532	22232	38,4	979	1401	0,26	1,0	2,6	0,68	3,9	975	1500	9,53
534	22232	38,4	979	1401	0,26	1,0	2,6	0,68	3,9	975	1500	9,53
536	22236	46,4	1157	1668	0,25	1,0	2,7	0,67	4,0	845	1300	9,53
538	22236	46,4	1157	1668	0,25	1,0	2,7	0,67	4,0	845	1300	9,53

Refer to pages B10-1 and B10-2 for information on bearing calculations, including L₁₀ life and loads

★ Maximum grease speed is dependant on load and ambient conditions. Consult Dodge Engineering.

Plummer blocks

Selection

ISN easy selection

Table 2: ISN double row spherical roller bearing

Housing	L ₁₀ Life Hours	Allowable equivalent radial load rating (kN) at various RPM																					
		50	100	150	250	500	750	1000	1300	1500	1700	1800	2000	2200	2600	2750	3000	3400	3800	4500	5300	5600	6000
507	10000	33	27	24	21	17	15	14	13	12	12	11	11	11	10	10	10	7	6	9	8	8	8
	30000	24	20	17	15	12	11	10	9	9	8	8	8	8	7	7	7	7	6	6	6	6	6
	40000	22	18	16	14	11	10	9	8	8	8	8	7	7	7	6	6	6	6	6	5	5	5
	60000	20	16	14	12	10	9	8	7	7	7	7	6	6	6	6	6	6	5	5	5	5	5
	100000	17	14	12	10	8	7	7	6	6	6	6	6	5	5	5	5	5	5	4	4	4	4
508	10000	33	27	24	21	17	15	14	13	12	12	11	11	11	10	10	10	7	6	9	8	8	8
	30000	24	20	17	15	12	11	10	9	9	8	8	8	8	7	7	7	7	6	6	6	6	6
	40000	22	18	16	14	11	10	9	8	8	8	8	7	7	7	6	6	6	6	6	5	5	5
	60000	20	16	14	12	10	9	8	7	7	7	7	6	6	6	6	6	6	5	5	5	5	5
	100000	17	14	12	10	8	7	7	6	6	6	6	6	5	5	5	5	5	5	4	4	4	4
509	10000	33	27	24	21	17	15	14	13	12	12	11	11	11	10	10	10	7	6	9	8	8	8
	30000	24	20	17	15	12	11	10	9	9	8	8	8	8	7	7	7	7	6	6	6	6	6
	40000	22	18	16	14	11	10	9	8	8	8	8	7	7	7	6	6	6	6	6	5	5	5
	60000	20	16	14	12	10	9	8	7	7	7	7	6	6	6	6	6	6	5	5	5	5	5
	100000	17	14	12	10	8	7	7	6	6	6	6	6	5	5	5	5	5	5	4	4	4	4
510	10000	35	29	25	22	18	16	14	13	13	12	12	11	11	11	10	10	7	6	10	9	9	9
	30000	25	21	18	16	13	11	10	10	9	9	9	8	8	8	8	7	7	7	7	7	6	6
	40000	23	19	17	14	12	10	10	9	8	8	8	8	8	7	7	7	7	6	6	6	6	6
	60000	21	17	15	13	10	9	8	8	7	7	7	7	6	6	6	6	6	6	5	5	5	5
	100000	18	14	13	11	9	8	7	7	6	6	6	6	6	5	5	5	5	5	5	4	4	4
511	10000	35	29	25	22	18	16	14	13	13	12	12	11	11	11	10	10	7	6	10	9	9	9
	30000	25	21	18	16	13	11	10	10	9	9	9	8	8	8	8	7	7	7	7	7	6	6
	40000	23	19	17	14	12	10	10	9	8	8	8	8	8	7	7	7	7	6	6	6	6	6
	60000	21	17	15	13	10	9	8	8	7	7	7	7	6	6	6	6	6	6	5	5	5	5
	100000	18	14	13	11	9	8	7	7	6	6	6	6	6	5	5	5	5	5	5	4	4	4
512	10000	43	35	31	27	22	19	18	16	16	15	15	14	14	13	13	13	9	8	12	12	11	11
	30000	31	25	22	19	16	14	13	12	11	11	11	10	10	10	9	9	9	9	9	8	8	8
	40000	29	23	21	18	14	13	12	11	10	10	10	9	9	9	9	8	8	8	8	7	7	7
	60000	25	21	18	16	13	11	10	10	9	9	9	8	8	8	8	7	7	7	7	7	6	6
	100000	22	18	16	13	11	10	9	8	8	8	7	7	7	7	6	6	6	6	6	6	6	6
513	10000	61	50	44	38	31	27	25	23	22	21	21	20	14	19	18	18	17	17	17	17	17	17
	30000	44	36	32	27	22	19	18	17	16	15	15	15	14	13	13	13	12	12	12	12	12	12
	40000	40	33	29	25	20	18	16	15	15	14	14	13	13	12	12	12	11	11	11	11	11	11
	60000	36	29	26	22	18	16	15	13	13	12	12	12	11	11	11	10	10	10	10	10	10	10
	100000	31	25	22	19	15	14	12	12	11	11	10	10	10	9	9	9	9	8	8	8	8	8
515	10000	67	54	48	41	33	30	27	25	24	23	23	22	15	20	20	19	19	19	19	19	19	19
	30000	48	39	34	30	24	21	20	18	17	17	16	16	15	15	14	14	14	14	14	14	14	14
	40000	44	36	32	27	22	20	18	17	16	15	15	15	14	13	13	13	12	12	12	12	12	12
	60000	39	32	28	24	20	17	16	15	14	14	13	13	13	12	12	11	11	11	11	11	11	11
	100000	33	27	24	21	17	15	14	13	12	12	11	11	11	10	10	10	9	9	9	9	9	9
516	10000	67	54	48	41	33	30	27	25	24	23	23	22	15	20	20	19	19	19	19	19	19	19
	30000	48	39	34	30	24	21	20	18	17	17	16	16	15	15	14	14	14	14	14	14	14	14
	40000	44	36	32	27	22	20	18	17	16	15	15	15	14	13	13	13	12	12	12	12	12	12
	60000	39	32	28	24	20	17	16	15	14	14	13	13	13	12	12	11	11	11	11	11	11	11
	100000	33	27	24	21	17	15	14	13	12	12	11	11	11	10	10	10	9	9	9	9	9	9

Use the labyrinth (S) seal for applications to the right of the vertical line.

For applications in the dark shaded areas, the maximum load for the specific speed is shown. The load does not correspond to the L10 shown.

Applications in the light shaded areas may require high temperature lubrication. Please consult Dodge engineering.

Plummer blocks

Selection

ISN easy selection

Table 2: ISN double row spherical roller bearing (continued)

Housing	L ₁₀ life hours	Allowable equivalent radial load rating (kN) at various RPM																					
		50	100	150	250	500	750	1000	1300	1500	1700	1800	2000	2200	2600	2750	3000	3400	3800	4500	5300	5600	6000
517	10000	67	54	48	41	33	30	27	25	24	23	23	22	15	20	20	19	19					
	30000	48	39	34	30	24	21	20	18	17	17	16	16	15	15	14	14	14					
	40000	44	36	32	27	22	20	18	17	16	15	15	15	14	13	13	13	12					
	60000	39	32	28	24	20	17	16	15	14	14	13	13	13	12	12	11	11					
	100000	33	27	24	21	17	15	14	13	12	12	11	11	11	10	10	10	9					
518	10000	105	85	76	65	53	47	43	40	38	37	26	35	34	32								
	30000	76	61	54	47	38	34	31	28	27	26	26	25	24	23								
	40000	69	56	50	43	35	31	28	26	25	24	24	23	22	21								
	60000	61	50	44	38	31	27	25	23	22	21	21	20	20	19								
	100000	53	43	38	33	26	23	21	20	19	18	18	17	17	16								
519	10000	105	85	76	65	53	47	43	40	38	37	26	35	34	32								
	30000	76	61	54	47	38	34	31	28	27	26	26	25	24	23								
	40000	69	56	50	43	35	31	28	26	25	24	24	23	22	21								
	60000	61	50	44	38	31	27	25	23	22	21	21	20	20	19								
	100000	53	43	38	33	26	23	21	20	19	18	18	17	17	16								
520	10000	133	108	96	82	67	59	54	50	35	46	45	44	43									
	30000	96	78	69	59	48	43	39	36	35	33	33	32	31									
	40000	88	71	63	54	44	39	36	33	32	31	30	29	28									
	60000	78	63	56	48	39	35	32	29	28	27	27	26	25									
	100000	67	54	48	41	33	30	27	25	24	23	23	22	21									
522	10000	133	108	96	82	67	59	54	50	35	46	45	44	43									
	30000	96	78	69	59	48	43	39	36	35	33	33	32	31									
	40000	88	71	63	54	44	39	36	33	32	31	30	29	28									
	60000	78	63	56	48	39	35	32	29	28	27	27	26	25									
	100000	67	54	48	41	33	30	27	25	24	23	23	22	21									
524	10000	167	135	120	103	84	74	68	45	60	58	57	55										
	30000	120	97	86	74	60	53	49	45	43	42	41	40										
	40000	110	89	79	68	55	49	45	41	40	38	38	36										
	60000	97	79	70	60	49	43	40	37	35	34	33	32										
	100000	84	68	60	52	42	37	34	31	30	29	29	28										
526	10000	234	190	168	144	117	104	69	88	84	81	80											
	30000	168	137	121	104	84	75	69	63	61	59	58											
	40000	154	125	111	95	77	69	63	58	56	54	53											
	60000	137	111	98	84	69	61	56	52	49	48	47											
	100000	117	95	84	72	59	52	48	44	42	41	40											
528	10000	234	190	168	144	117	104	69	88	84	81	80											
	30000	168	137	121	104	84	75	69	63	61	59	58											
	40000	154	125	111	95	77	69	63	58	56	54	53											
	60000	137	111	98	84	69	61	56	52	49	48	47											
	100000	117	95	84	72	59	52	48	44	42	41	40											
530	10000	266	216	191	164	133	118	78	100	96	92												
	30000	191	155	138	118	96	85	78	72	69	66												
	40000	176	143	126	108	88	78	71	66	63	61												
	60000	155	126	112	96	78	69	63	59	56	54												
	100000	133	108	96	82	67	59	54	50	48	46												
532/534	10000	353	287	254	218	177	113	144	133	127													
	30000	254	206	182	157	127	113	103	95	91													
	40000	233	189	167	144	117	103	95	88	84													
	60000	206	167	148	127	103	91	84	78	74													
	100000	177	144	127	109	89	78	72	67	64													
536/538	10000	417	339	300	257	209	133	170	157														
	30000	300	244	216	185	150	133	122	113														
	40000	275	223	198	170	138	122	112	103														
	60000	244	198	175	150	122	108	99	92														
	100000	209	170	150	129	105	93	85	79														

Use the labyrinth (S) seal for applications to the right of the vertical line.

For applications in the dark shaded areas, the maximum load for the specific speed is shown. The load does not correspond to the L₁₀ shown.

Applications in the light shaded areas may require high temperature lubrication. Please consult Dodge engineering.

Plummer blocks

Selection

ISN capload

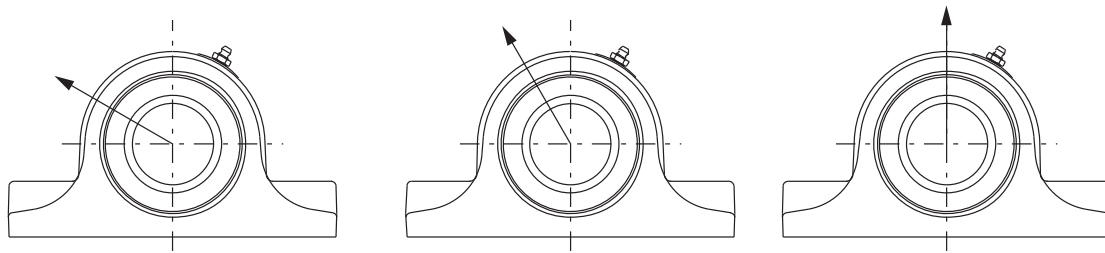


Table 3: ISN Housing ratings

Housing	Maximum recommended housing cap loads (kN)		
	120°	150°	180°
507	9.4	11.7	13.8
508	9.4	11.7	13.8
509	10.6	13.3	15.6
510	10.6	13.3	15.6
511	13.9	17.4	20.5
512	14.8	18.5	21.8
513	14.8	18.5	21.8
515	14.8	18.5	21.8
516	19.7	24.6	28.9
517	19.7	24.6	28.9
518	20.6	25.7	30.2
519	20.6	25.7	30.2
520	33.4	41.6	48.9
522	33.4	41.6	48.9
524	44	54.8	64.5
526	59.6	74.5	87.6
528	59.6	74.5	87.6
530	67.2	84.1	99.0
532	82.8	112.5	132.3
534	82.8	112.5	300
536	82.8	112.5	300
538	82.8	112.5	425

* When utilizing heavy cap loads on pillow block housings; the installation must adhere to the following procedures:

1. The pillow block base bolts must be of high strength (Class 10.9) bolts and properly tightened to mounting structure.
2. Stop bars (shear strips) should be used against the plummer block where side loads are encountered.
3. In all cases where loads are heavy, the L_{10} life of the bearing should be checked for proper selection and life requirements.

Imperial - ISN spherical roller bearings

Table 4: Definition of operating conditions for unitized spherical roller bearings

Low speed	Up to 20% of max. RPM (Table 1)
Medium speed	Over 20% to 80% of max. RPM
High speed	Over 80% of max. RPM
Light load	Up to 8% of C (Table 1)
Normal load	Over 8% to 18% of C
Heavy load	Over 18% of C
	C - Dynamic capacity
Low temperature	-73°C to -7°C
Medium temperature	Over -7°C to 93°C
High temperature	Over 93°C to 122°C

Plummer blocks

Selection

ISN Plummer blocks with Trident seals

Series	Ø shaft	Fixed bearing		Expansion bearing		Insert Pt #	Description	Sleeve Pt #	Description
		Part no.	Description	Part no.	Description				
507	3 0mm	071000	P2B507-ISN-030MFR	071017	P2B507-ISN-030MLR	071983	ISN 507-22208 FR	744975	ADPTR-IP-22208-30M
	1-1/8	747900	P2B507-ISN-102 FR	747904	P2B507-ISN-102 LR	071983	ISN 507-22208 FR	069286	ADPTR-IP-22208-102
	1-3/16	747901	P2B507-ISN-103FR	747905	P2B507-ISN-103 LR	071983	ISN 507-22208 FR	069287	ADPTR-IP-22208-103
508	3 5mm	071001	P2B508-ISN-035MFR	071018	P2B508-ISN-035MLR	071984	ISN 508-22208 FR	744976	ADPTR-IP-22208-35M
	1-1/4	747908	P2B508-ISN-104 FR	747912	P2B508-ISN-104 LR	071984	ISN 508-22208 FR	069288	ADPTR-IP-22208-104
	1-3/8	747909	P2B508-ISN-106 FR	747913	P2B508-ISN-106 LR	071984	ISN 508-22208 FR	069289	ADPTR-IP-22208-106
509	4 0mm	071002	P2B509-ISN-040MFR	071019	P2B509-ISN-040MLR	071985	ISN 509-22209 FR	744977	ADPTR-IP-22209-40M
	1-7/16	747916	P2B509-ISN-107 FR	747920	P2B509-ISN-107 LR	071985	ISN 509-22209 FR	064153	ADPTR-IP-22209-107
	1-1/2	747917	P2B509-ISN-108 FR	747921	P2B509-ISN-108 LR	071985	ISN 509-22209 FR	064154	ADPTR-IP-22209-108
510	4 5mm	071003	P2B510-ISN-045MFR	71020	P2B510-ISN-045MLR	071986	ISN 510-22210 FR	744978	ADPTR-IP-22210-45M
	1-11/16	747924	P2B510-ISN-111 FR	747928	P2B510-ISN-111 LR	071986	ISN 510-22210 FR	064155	ADPTR-IP-22210-111
	1-3/4	747925	P2B510-ISN-112 FR	747929	P2B510-ISN-112 LR	071986	ISN 510-22210 FR	064156	ADPTR-IP-22210-112
511	5 0mm	071004	P2B511-ISN-050MFR	071021	P2B511-ISN-050MLR	071987	ISN 511-22210 FR	744979	ADPTR-IP-22210-50M
	1-15/16	747932	P2B511-ISN-115 FR	747936	P2B511-ISN-115 LR	071987	ISN 511-22210 FR	069296	ADPTR-IP-22210-115
	2	747933	P2B511-ISN-200 FR	747937	P2B511-ISN-200 LR	071987	ISN 511-22210 FR	069297	ADPTR-IP-22210-200
512	55mm	071005	P2B512-ISN-055MFR	071022	P2B512-ISN-055MLR	071988	ISN 512-22211 FR	744980	ADPTR-IP-22211-055M
	2-1/8	748012	P2B512-ISN-202 FR	748013	P2B512-ISN-202 LR	071988	ISN 512-22211FR	064157	ADPTR-IP-22211-202
513	60mm	071006	P2B513-ISN-060MFR	071023	P2B513-ISN-060MLR	071989	ISN 513-22213 FR	744981	ADPTR-IP-22213-60M
	2-3/16	747940	P2B513-ISN-203 FR	747944	P2B513-ISN-203 LR	071989	ISN 513-22213 FR	064070	ADPTR-IP-22213-203
	2-1/4	747941	P2B513-ISN-204 FR	747945	P2B513-ISN-204 LR	071989	ISN 513-22213 FR	064071	ADPTR-IP-22213-204
515	6 5mm	071007	P2B515-ISN-065MFR	71024	P2B515-ISN-065MLR	071990	ISN 515-22215 FR	744982	ADPTR-IP-22215-65M
	2-7/16	747948	P2B515-ISN-207 FR	747952	P2B515-ISN-207 LR	071990	ISN 515-22215 FR	064072	ADPTR-IP-22215-207
	2-1/2	747949	P2B515-ISN-208 FR	747953	P2B515-ISN-208 LR	071990	ISN 515-22215 FR	064073	ADPTR-IP-22215-208
516	7 0mm	071008	P2B516-ISN-070MFR	071025	P2B516-ISN-070MLR	071991	ISN 516/517-22215 FR	744983	ADPTR-IP-22215-70M
	2-11/16	747956	P2B516-ISN-211 FR	747960	P2B516-ISN-211 LR	071991	ISN 516/517-22215 FR	069303	ADPTR-IP-22215-211
	2-3/4	747957	P2B516-ISN-212 FR	747961	P2B516-ISN-212 LR	071991	ISN 516/517-22215 FR	069304	ADPTR-IP-22215-212
517	7 5mm	071009	P2B517-ISN-075MFR	71026	P2B517-ISN-075MLR	071991	ISN 516/517-22215 FR	744984	ADPTR-IP-22215-75MM
	2-15/16	747964	P2B517-ISN-215 FR	747968	P2B517-ISN-215 LR	071991	ISN 516/517-22215 FR	069305	ADPTR-IP-22215-215
	3	747965	P2B517-ISN-300 FR	747969	P2B517-ISN-300 LR	071991	ISN 516/517-22215 FR	069306	ADPTR-IP-22215-300
518	8 0mm	071010	P2B518-ISN-080MFR	071027	P2B518-ISN-080MLR	071992	ISN 518-22218 FR	744985	ADPTR-IP-22218-80M
	3-3/16	747972	P2B518-ISN-303 FR	747976	P2B518-ISN-303 LR	071992	ISN 518-22218 FR	069307	ADPTR-IP-22218-303
	3-1/4	747973	P2B518-ISN-304 FR	747977	P2B518-ISN-304 LR	071992	ISN 518-22218 FR	069308	ADPTR-IP-304
519	85mm	071011	P2B519-ISN-085MFR	071028	P2B519-ISN-085MLR	071993	ISN 519-22218 FR	744986	ADPTR-IP-22218-85M
520	90mm	071012	P2B520-ISN-090MFR	071029	P2B520-ISN-090MLR	071994	ISN 520-22220 FR	744987	ADPTR-IP-22220-090MM
	3-7/16	747980	P2B520-ISN-307 FR	747984	P2B520-ISN-307 LR	071994	ISN 520-22220 FR	064074	ADPTR-IP-22220-307
	3-1/2	747981	P2B520-ISN-308 FR	747985	P2B520-ISN-308 LR	071994	ISN 520-22220 FR	064075	ADPTR-IP-22220-308
522	10 0mm	071013	P2B522-ISN-100MFR	071030	P2B522-ISN-100MLR	071995	ISN 522-22220 FR	744988	ADPTR-IP-22220-100MM
	3-15/16	747988	P2B522-ISN-315 FR	747992	P2B522-ISN-315 LR	071995	ISN 522-22220 FR	069312	ADPTR-IP-22220-315
	4	747989	P2B522-ISN-400 FR	747993	P2B522-ISN-400 LR	071995	ISN 522-22220 FR	069313	ADPTR-IP-22220-400
524	110mm	071014	P2B524-ISN-110MFR	071031	P2B524-ISN-110MLR	071996	ISN 524-22222 FR	744989	ADPTR-IP-22222-110MM
526	115mm	071015	P2B526-ISN-115MFR	071032	P2B526-ISN-115MLR	071997	ISN 526-22226 FR	744990	ADPTR-IP-22226-115MM
	4-7/16	747996	P2B526-ISN-407 FR	748000	P2B526-ISN-407 LR	071997	ISN 526-22226 FR	064076	ADPTR-IP-22226-407
	4-1/2	747997	P2B526-ISN-408 FR	748001	P2B526-ISN-408 LR	071997	ISN 526-22226 FR	064077	ADPTR-IP-22226-408
528	12 5mm	071016	P2B528-ISN-125MFR	071033	P2B528-ISN-125MLR	071998	ISN 528-22226 FR	744991	ADPTR-IP-22226-125MM
	4-15/16	748004	P2B528-ISN-415 FR	748008	P2B528-ISN-415 LR	071998	ISN 528-22226 FR	069316	ADPTR-IP-22226-415
	5	748005	P2B528-ISN-500 FR	748009	P2B528-ISN-500 LR	071998	ISN 528-22226 FR	069317	ADPTR-IP-22226-500
530	135mm	071102	P2B530-ISN-135MFR	071103	P2B530-ISN-135MLR	071116	ISN-IP-530-135MR	071114	ADPTR-IP-22228-135M
532	140mm	071106	P2B532-ISN-140MFR	071107	P2B532-ISN-140MLR	071118	ISN-IP-532-140MR	071115	ADPTR-IP-22230-140M
534	150mm	078822	P4B534-ISN-150MFR	078823	P4B534-ISN-150MLR	062254	ISN-IP-150MR	062255	ADPTR-IP-22232-150M
536	160mm	078824	P4B536-ISN-160MFR	078825	P4B536-ISN-160MLR	078138	ISN-IP-160MR	074615	ADPTR-IP-22236-160M
538	170mm	078826	P4B538-ISN-170MFR	078827	P4B538-ISN-170MLR	079881	ISN-IP-170MR	062271	ADPTR-IP-22236-170M

F = Non-expansion, L = Expansion, R = Trident rubbing seal; S = Labyrinth seal

Plummer blocks

Selection

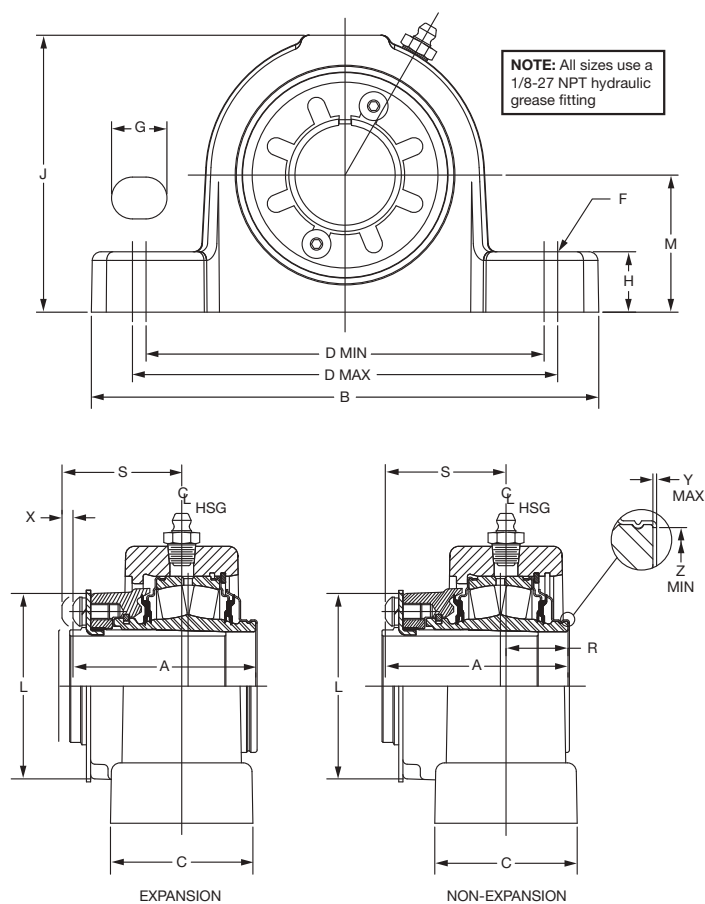
ISN plummer blocks with Labyrinth seals

30 through 140mm, 2-bolt					
Series	Ø shaft	Part no.	Fixed bearing description	Part no.	Exp. bearing description
507	30mm	071034	P2B507-ISN-030MFS	071051	P2B507-ISN-030MLS
508	35mm	071035	P2B508-ISN-035MFS	071052	P2B508-ISN-035MLS
509	40mm	071036	P2B509-ISN-040MFS	070053	P2B509-ISN-040MLS
	1-1/2.	075154	P2B509-ISN-108 FS		
510	45mm	071037	P2B510-ISN-045MFS	071054	P2B510-ISN-045MLS
511	50mm	071038	P2B511-ISN-050MFS	071055	P2B511-ISN-050MLS
512	55mm	071039	P2B512-ISN-055MFS	071056	P2B512-ISN-055MLS
513	60mm	071040	P2B513-ISN-060MFS	071057	P2B513-ISN-060MLS
	2-3/16.	077481	P2B513-ISN-203 FS		
	2-1/2.			076670	P2B513-ISN-208-LS
515	65mm	071041	P2B515-ISN-065MFS	071058	P2B515-ISN-065MLS
	2-1/2	074989	P2B515-ISN-208 FS		
516	70mm	071042	P2B516-ISN-070MFS	071059	P2B516-ISN-070MLS
517	75mm	071043	P2B517-ISN-075MFS	071060	P2B517-ISN-075MLS
518	80mm	071044	P2B518-ISN-080MFS	071061	P2B518-ISN-080MLS
519	85mm	071045	P2B519-ISN-085MFS	071062	P2B519-ISN-085MLS
520	90mm	071046	P2B520-ISN-090MFS	071063	P2B520-ISN-090MLS
522	100mm	071047	P2B522-ISN-100MFS	071064	P2B522-ISN-100MLS
524	110mm	071048	P2B524-ISN-110MFS	071065	P2B524-ISN-110MLS
526	115mm	071049	P2B526-ISN-115MFS	071066	P2B526-ISN-115MLS
528	125mm	071050	P2B528-ISN-125MFS	071067	P2B528-ISN-125MLS
530	135mm	071104	P2B530-ISN-135MFS	071105	P2B530-ISN-135MLS
532	140mm	071108	P2B532-ISN-140MFS	071109	P2B532-ISN-140MLS

Plummer blocks

Dimensions

ISN plummer block dimensions



Series	Shaft size mm	A	B	C	D		E*	F bolt dia	G	H	J	L	M	R	S	X total exp.
					Min	Max										
507	30	66.7	184.9	52.0	145.0	155.0		M12	20.0	22.0	100.9	67.6	50.0	22.6	44.1	4.0
508	35	66.7	205.9	60.2	150.0	174.6		M12	27.3	25.0	110.8	67.6	60.0	22.6	44.1	4.0
509	40	71.4	206.3	60.2	155.0	174.6		M12	24.8	25.0	114.0	74.7	60.0	20.6	50.8	6.5
510	45	72.6	204.9	60.2	160.0	175.0		M12	22.5	25.0	113.8	81.0	60.0	21.18	50.8	6.5
511	50	72.6	253.9	70.2	190.0	215.9		M16	31.0	28.0	124.5	81.0	70.0	21.8	50.8	6.5
512	55	77.0	253.9	69.9	190.0	216.0		M16	31.0	30.0	130.3	87.1	70.0	23.0	54.0	7.0
513	60	86.9	274.9	80.2	205.0	235.0		M16	33.0	30.0	152.4	96.5	80.0	30.6	56.3	7.0
515	65	88.9	280.1	80.1	215.0	236.0		M16	28.5	30.0	156.0	106.7	80.0	31.4	57.5	7.0
516	70	88.9	315.9	90.2	244.5	268.3		M20	34.1	32.0	176.0	106.7	95.0	31.4	57.5	7.0
517	75	88.9	315.9	90.2	244.5	268.3		M20	34.1	32.0	176.0	106.7	95.0	31.4	57.5	7.0
518	80	106.0	345.3	100.3	270.0	293.7		M20	34.0	35.0	196.7	124.7	100.0	37.7	68.3	7.0
519	85	106.0	345.0	100.2	264.2	296.1		M20	37.9	35.0	205.2	124.7	112.0	37.7	68.3	7.0
520	90	120.0	379.8	110.2	292.8	327.0		M24	43.1	40.0	218.3	138.7	112.0	41.7	77.8	8.0
522	100	120.0	410.0	120.0	314.4	356.0		M24	46.8	45.0	239.0	138.7	125.0	41.7	77.8	8.0
524	110	133.0	410.0	120.0	314.5	356.0		M24	46.8	45.0	260.7	161.3	140.0	44.5	88.5	10.0
526	115	152.0	444.8	130.0	359.6	387.0		M24	41.7	50.0	292.8	191.8	150.0	48.4	103.6	10.0
528	125	152.0	500.0	150.2	400.0	427.0		M30	48.5	50.0	290.4	191.8	150.0	48.4	103.6	10.0
530	135	156.8	539.8	159.8	443.0	457.0		M30	42.0	60.0	312.5	222.2	160.0	51.8	105.0	16.3
532	140	179.8	560.0	160.0	463.0	477.0		M30	42.0	60.0	345.3	260.4	170.0	62.4	117.4	16.8
534	150	178.8	510.0	180.0	424.0	436.0	100.0	M24	34.0	70.0	344.0	260.4	170.0	62.1	117.7	16.8
536	160	191.8	530.0	190.0	444.0	456.0	110.0	M24	34.0	75.0	366.0	289.3	180.0	65.0	126.8	17.0
538	170	191.8	560.0	210.0	474.0	486.0	120.0	M24	34.0	80.0	385.0	289.3	190.0	65.0	126.8	17.0

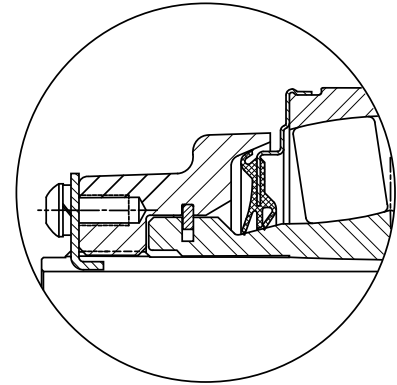
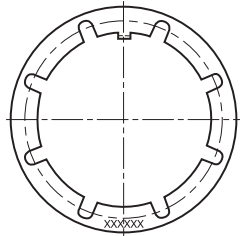
*Applies to four bolt pillow block (serie 534, 536, 538) only.

Plummer blocks

Dimensions

ISN lockplate kits

Size	Part no.
30	048925
35	048925
40	048926
45	048927
50	048927
55	048928
60	048929
65	048930
70	048930
75	048930
80	048931
85	048931
90	048932
100	048932
110	048933
115	048934
125	048934
135	079882
140	079883
150	079883
160	079884
170	079884

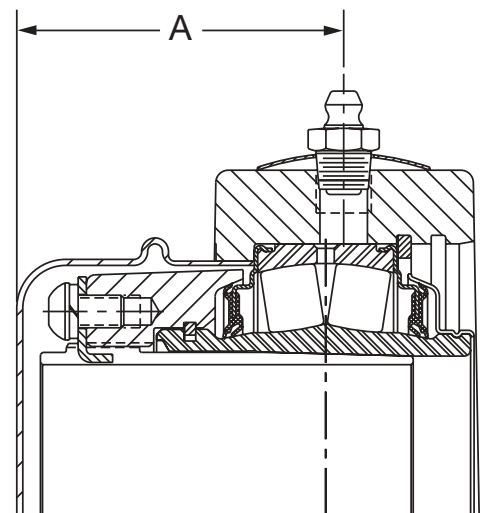


Kit consists of:

- 1 Lockplate
- 2 Socket head capscrews
- 2 Lockwashers

ISN end cover

Housing series	Bore size	Front side closed cover		Front side open cover		Back side open cover		A
		Part no.	Description	Part no.	Description	Part no.	Description	
507	30	069960	IPEC08	070251	IPEC0-08-30mm	070620	IPBECO-08-30mm	51.0
508	35	069960	IPEC08	070252	IPEC0-08-35mm	070621	IPBECO-08-35mm	51.0
509	40	069961	IPEC09	070253	IPEC0-09-40mm	070622	IPBECO-09-40mm	55.0
510	45	069962	IPEC10	070254	IPEC0-10-45mm	070623	IPBECO-10-45mm	59.0
511	50	069962	IPEC10	070255	IPEC0-10-50mm	070624	IPBECO-10-50mm	59.0
512	55	069963	IPEC11	070256	IPEC0-11-55mm	070625	IPBECO-11-55mm	62.0
513	60	069964	IPEC13	070257	IPEC0-13-60mm	070626	IPBECO-13-60mm	67.0
515	65	069965	IPEC15	070258	IPEC0-15-65mm	070627	IPBECO-15-65mm	75.0
516	70	069965	IPEC15	070259	IPEC0-15-70mm	070628	IPBECO-15-70mm	75.0
517	75	069965	IPEC15	070260	IPEC0-15-75mm	070629	IPBECO-15-75mm	75.0
518	80	069966	S21PEC18	070261	IPEC0-18-80mm	070630	IPBECO-18-80mm	79.0
519	85	069966	S21PEC18	070262	IPEC0-18-85mm	070631	IPBECO-18-85mm	79.0
520	90	069967	S21PEC20	070263	IPEC0-20-90mm	070632	IPBECO-20-90mm	90.0
522	100	069967	S21PEC20	070264	IPEC0-20-100mm	070633	IPBECO-20-100mm	90.0
524	110	069968	S21PEC22	070265	IPEC0-22-110mm	070634	IPBECO-22-110mm	100.0
526	115	069969	S21PEC26	070266	IPEC0-26-115mm	070635	IPBECO-26-115mm	112.0
528	125	069969	S21PEC26	070267	IPEC0-26-125mm	070636	IPBECO-26-125mm	112.0
530	135	069983	IPEC28	TBD				122.0
532	140	069984	IPEC32	TBD				135.0
534	150	069984	IPEC32	TBD				135.0
536	160	069985	IPEC36	TBD				143.0
538	170	069985	IPEC36	TBD				143.0

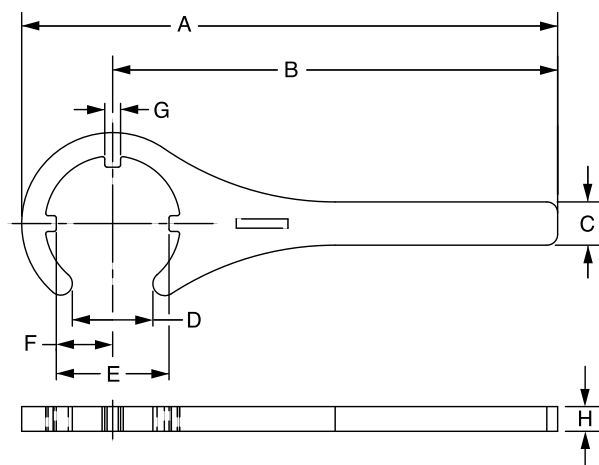


Plummer Block

Plummer blocks

Dimensions

ISN spanner



Dimensions mm/inch

Shaft size		Part no.	A	B	C	D	E	F	G	H
mm	Inch									
30 thru 35	1-1/8 thru 1-1/2	066629	10.84 275.3	9.00 228.6	0.88 22.4	1.63 41.4	2.28 57.9	1.14 29.0	0.32 8.1	0.50 12.7
40	1-5/8 thru 1-3/4		11.04 280.4	9.00 228.6	0.88 22.4	1.88 47.8	2.48 63.0	1.24 31.5	0.32 8.1	0.50 12.7
45 thru 50	1-7/8 thru 2	066631	11.20 284.5	9.00 228.6	0.88 22.4	2.13 54.1	2.73 69.2	1.36 34.5	0.32 8.1	0.50 12.7
55	2-1/8		12.38 314.5	10.00 254.0	0.88 22.4	2.38 60.5	2.98 75.7	1.49 37.8	0.44 11.2	0.50 12.7
60	2-3/16 thru 2-1/4	066633	12.63 320.8	10.00 254.0	1.31 33.3	2.63 66.8	3.40 86.4	1.70 43.2	0.44 11.2	0.50 12.7
60 70 75	2-7/16 thru 3		16.90 429.3	14.00 355.6	1.31 33.3	3.13 79.5	3.80 96.5	1.90 48.3	0.44 11.2	0.50 12.7
80 thru 85	3-3/16 thru 3-1/4	066635	17.39 441.7	14.00 355.6	1.31 33.3	3.63 92.2	4.36 110.7	2.18 55.4	0.44 11.2	0.50 12.7
90 thru 100	3-7/16 thru 4		17.75 450.9	14.00 355.6	1.75 44.5	4.13 104.9	4.91 124.7	2.46 62.5	0.44 11.2	0.50 12.7
110		066637	20.36 517.1	16.00 406.4	1.75 44.5	4.63 117.6	5.68 144.3	2.84 72.1	0.44 11.2	0.50 12.7
115 thru 125	4-7/16 thru 5		25.17 639.3	20.00 508.0	2.00 50.8	5.13 130.3	6.88 174.8	3.44 87.4	0.44 11.2	0.50 12.7
135	5-7/16 thru 5-1/2	066642	27.82 706.6	22.00 558.8	2.00 50.8	5.63 143.0	8.05 204.5	4.03 102.4	0.69 4.8	0.50 12.7
140 thru 150	5-15/16 thru 6		28.75 730.3	22.00 558.8	2.00 50.8	6.13 155.7	9.13 231.9	4.57 116.1	0.75 19.1	0.50 12.7
160 thru 170	6-7/16 thru 7	066644	31.54 801.1	24.00 609.6	2.00 50.8	7.13 181.1	10.08 256.0	5.04 128.0	0.75 19.1	0.50 12.7

Plummer blocks

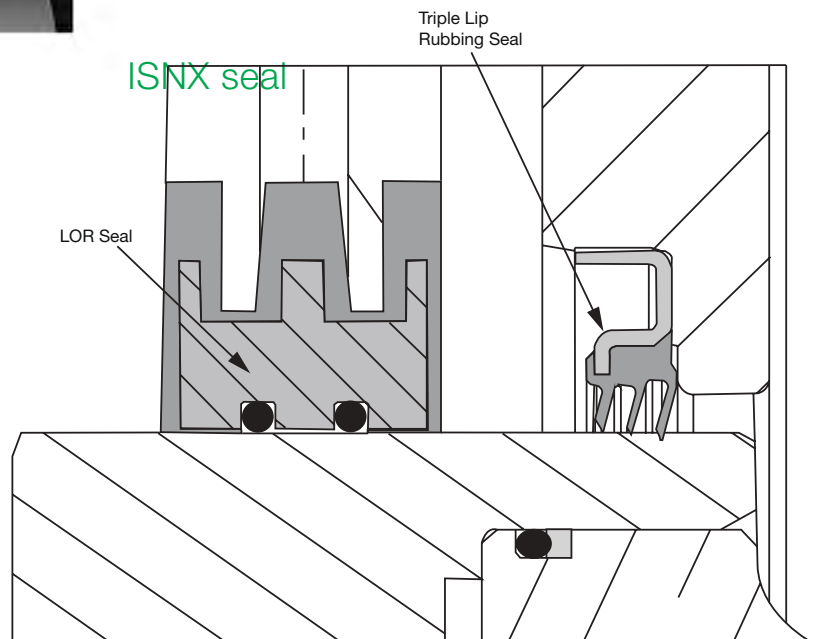
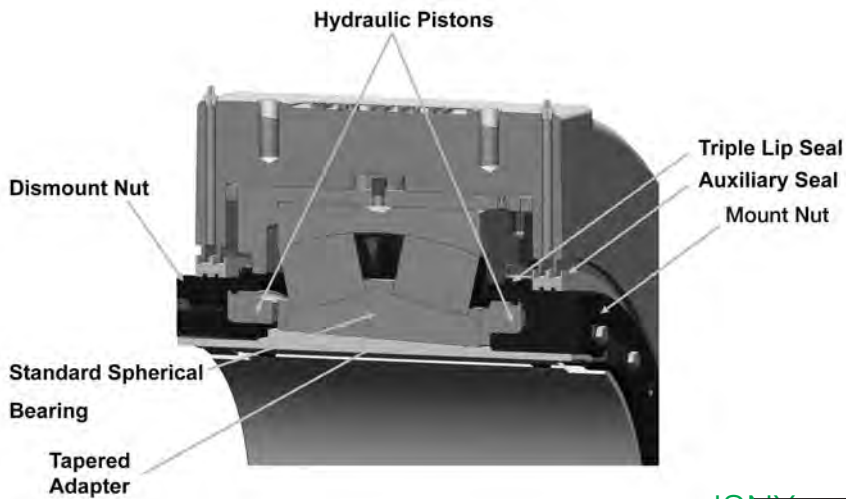
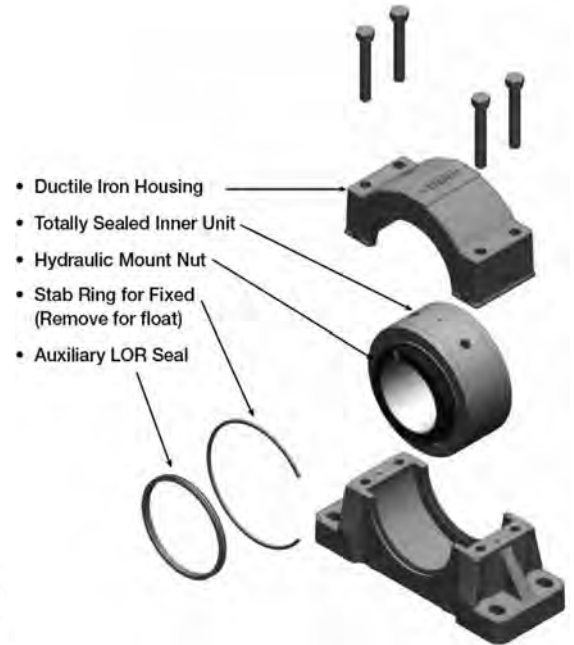
Features/Benefits

ISNX

Hydraulic mount/dismount with SN dimensions

Patented hydraulic mount and dismount system

- Incorporates a hydraulic mount and dismount nut as a standard feature on the inner unit for quicker installation and removal of bearing
- Totally sealed inner unit prevents contamination during installation
- Harsh duty sealing system is functionally equivalent to a standard Taconite seal
- SN/SD dimensioned housing that matches ISO 113 standards
- Incorporates standard 23134 thru 23176 double row spherical roller bearings
- 150mm thru 360mm bore size
- High strength ductile iron housing is standard
- Incorporates a fixing ring for expansion/non-expansion capability



Plummer blocks

Selection

ISNX

Table 5: Spherical roller bearings

23100K series										
Shaft size adapter mounted inches	Bearing series	e	$F_A/F_R \leq e$		$F_A/F_R > e$		Adapter maximum allowable thrust load kN †	Dynamic capacity (C) kN	Static capacity (Co) kN	Maximum RPM
			X	Y	X	Y				
150mm	23134K	.28	1	2.40	.67	3.50	45	1032	1668	1300
160mm	23136K	.29	1	2.30	.67	3.50	52	1201	1913	1200
170mm	23138K	.30	1	2.30	.67	3.40	59	1357	2180	1100
180mm	23140K	.35	1	2.00	.67	2.90	67	1335	2269	900
200mm	23144K	.33	1	2.00	.67	3.00	79	1624	2914	800
220mm	23148K	.33	1	2.10	.67	3.10	92	1846	3269	750
240mm.	23152K	.33	1	2.00	.67	3.00	89	2180	4003	670
260mm.	23156K	.32	1	2.10	.67	3.20	123	2358	4359	630
280mm.	23160K	.33	1	2.10	.67	3.10	144	2669	4938	600
300mm.	23164K	.34	1	2.00	.67	2.90	169	3203	5961	530
320mm.	23168K	.34	1	2.00	.67	2.90	194	3692	6939	500
340mm.	23172K	.33	1	2.10	.67	3.10	203	3781	7384	480
360mm.	23176K	.32	1	2.10	.67	3.20	221	4070	8140	450

If the thrust load exceeds adapter maximum allowable thrust load, auxiliary methods of carrying thrust are required.

23100K series bearings will be provided with metric housings only.

Plummer blocks

Selection

ISNX hydraulic assist spherical roller bearing selection

Table 6: ISNX hydraulic assist spherical roller bearings selection table

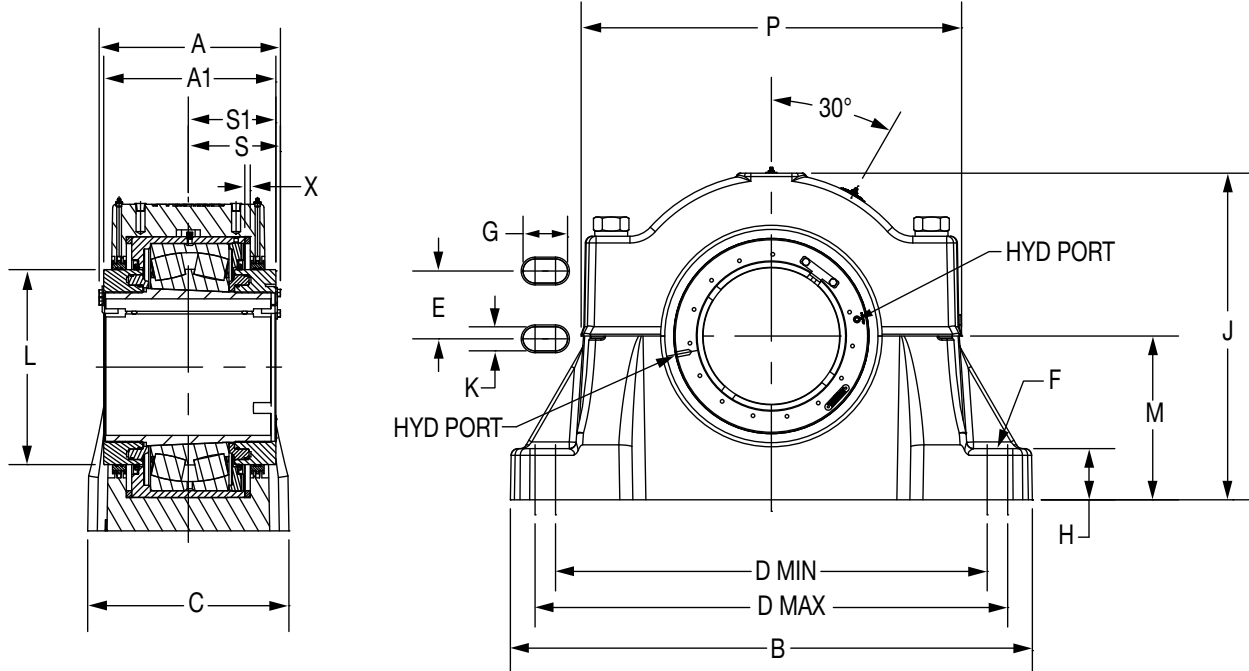
Shaft size	Housing designation	Bearing series	Max RPM grease life	L10 hours	Allowable equivalent radial load rating (kN) at various RPM														
					50	100	150	200	250	300	400	500	550	600	650	700	750	950	1300
23100K series																			
150mm	3134	23134K	1300	50,000	230	186	165	151	142	134	123	115	112	109	106	104	102	95	86
	3134	23134K	1300	80,000	199	162	143	132	123	116	107	200	97	95	92	90	88	82	75
	3134	23134K	1300	100,000	186	151	134	123	115	109	100	93	91	88	86	84	83	77	70
160mm	3136	23136K	1200	50,000	267	217	192	176	165	156	143	134	130	127	124	121	119	110	101
	3136	23136K	1200	80,000	232	188	167	153	143	136	124	116	113	110	107	105	103	96	87
	3136	23136K	1200	100,000	217	176	156	143	134	127	116	109	106	103	101	98	96	90	82
170mm	3138	23138K	1100	50,000	302	245	217	199	186	176	162	151	147	143	140	137	134	125	114
	3138	23138K	1100	80,000	262	213	188	173	162	153	140	131	128	124	121	119	116	108	99
	3138	23138K	1100	100,000	245	199	176	162	151	143	131	123	119	116	114	111	109	101	92
180mm	3140	23140K	900	50,000	297	241	213	196	183	173	159	149	145	141	137	134	132	123	
	3140	23140K	900	80,000	258	209	185	170	159	151	138	129	126	122	119	117	114	107	
	3140	23140K	900	100,000	241	196	173	159	149	141	129	121	117	114	112	109	107	100	
200mm	3144	23144K	800	50,000	361	293	260	238	223	211	194	181	176	171	167	164	160		
	3144	23144K	800	80,000	314	255	226	207	194	183	168	157	153	149	145	142	139		
	3144	23144K	800	100,000	293	238	211	194	181	171	157	147	143	139	136	133	130		
220mm	3148	23148K	750	50,000	411	334	295	271	253	240	220	206	200	195	190	186	182		
	3148	23148K	750	80,000	357	290	256	235	220	208	191	179	174	169	165	162	158		
	3148	23148K	750	100,000	334	271	240	220	206	195	179	167	162	158	154	151	148		
240mm	3152	23152K	670	50,000	485	394	349	320	299	283	260	243	236	230	225	220	215		
	3152	23152K	670	80,000	421	342	303	278	260	246	226	211	205	200	195	191	187		
	3152	23152K	670	100,000	394	320	283	260	243	230	211	197	192	187	182	178	175		
260mm	3156	23156K	630	50,000	524	426	377	346	324	306	281	263	255	249	243	238	233		
	3156	23156K	630	80,000	455	370	328	300	281	266	244	228	222	216	211	206	202		
	3156	23156K	630	100,000	426	346	297	281	263	249	228	213	207	202	197	193	189		
280mm	3160	23160K	600	50,000	594	482	427	392	366	347	318	298	289	282	275	269	263		
	3160	23160K	600	80,000	419	419	371	340	318	301	276	258	251	245	239	234	229		
	3160	23160K	600	100,000	482	392	347	318	298	282	258	242	235	229	223	218	205		
300mm	3164	23164K	530	50,000	712	579	512	470	440	416	382	357	347	338	330				
	3164	23164K	530	60,000	619	503	445	408	382	361	332	310	301	294	287				
	3164	23164K	530	100,000	579	470	416	382	368	338	310	300	282	275	268				
320mm	3168	23168K	500	50,000	821	667	591	542	507	480	440	412	400	301					
	3168	23168K	500	80,000	713	579	513	471	440	417	382	357	347	338					
	3168	23168K	500	100,000	667	542	480	431	412	390	357	334	325	316					
340mm	3172	23172K	480	50,000	841	683	605	555	519	491	451	421	410	399					
	3172	23172K	480	80,000	730	593	525	482	451	427	391	277	356	347					
	3172	23172K	480	100,000	683	555	491	451	421	310	366	342	333	323					
360mm	3176	23176K	450	50,000	905	735	651	597	559	529	485	454	441						
	3176	23176K	450	80,000	786	639	565	519	485	459	421	394	383						
	3176	23176K	450	100,000	735	597	529	485	454	430	394	368	358						

Plummer blocks

Dimensions

ISNX

Large bore SD dimension plummer blocks



Housing designation	Bearing series	Shaft size	Part no.	Description	Insert no.
3134	23134K	150mm	072919	P4B134-ISNX-150MR HYD	072895
3136	23136K	160mm	072920	P4B136-ISNX-160MR HYD	072896
3138	23138K	170mm	072921	P4B138-ISNX-170MR HYD	072897
3140	23140K	180mm	072922	P4B140-ISNX-180MR HYD	072898
3144	23144K	200mm	072923	P4B144-ISNX-200MR HYD	072899
3148	23148K	220mm	072924	P4B148-ISNX-220MR HYD	072900
3152	23152K	240mm	072912	P4B152-ISNX-240MR HYD	072901
3156	23156K	260mm	072913	P4B156-ISNX-260MR HYD	072902
3160	23160K	280mm	072914	P4B160-ISNX-280MR HYD	072903
3164	23164K	300mm	072915	P4B164-ISNX-300MR HYD	072904
3168	23168K	320mm	072916	P4B168-ISNX-320MR HYD	072905
3172	23172K	340mm	072917	P4B172-ISNX-340MR HYD	072906
3176	23176K	360mm	072918	P4B176-ISNX-360MR HYD	072907

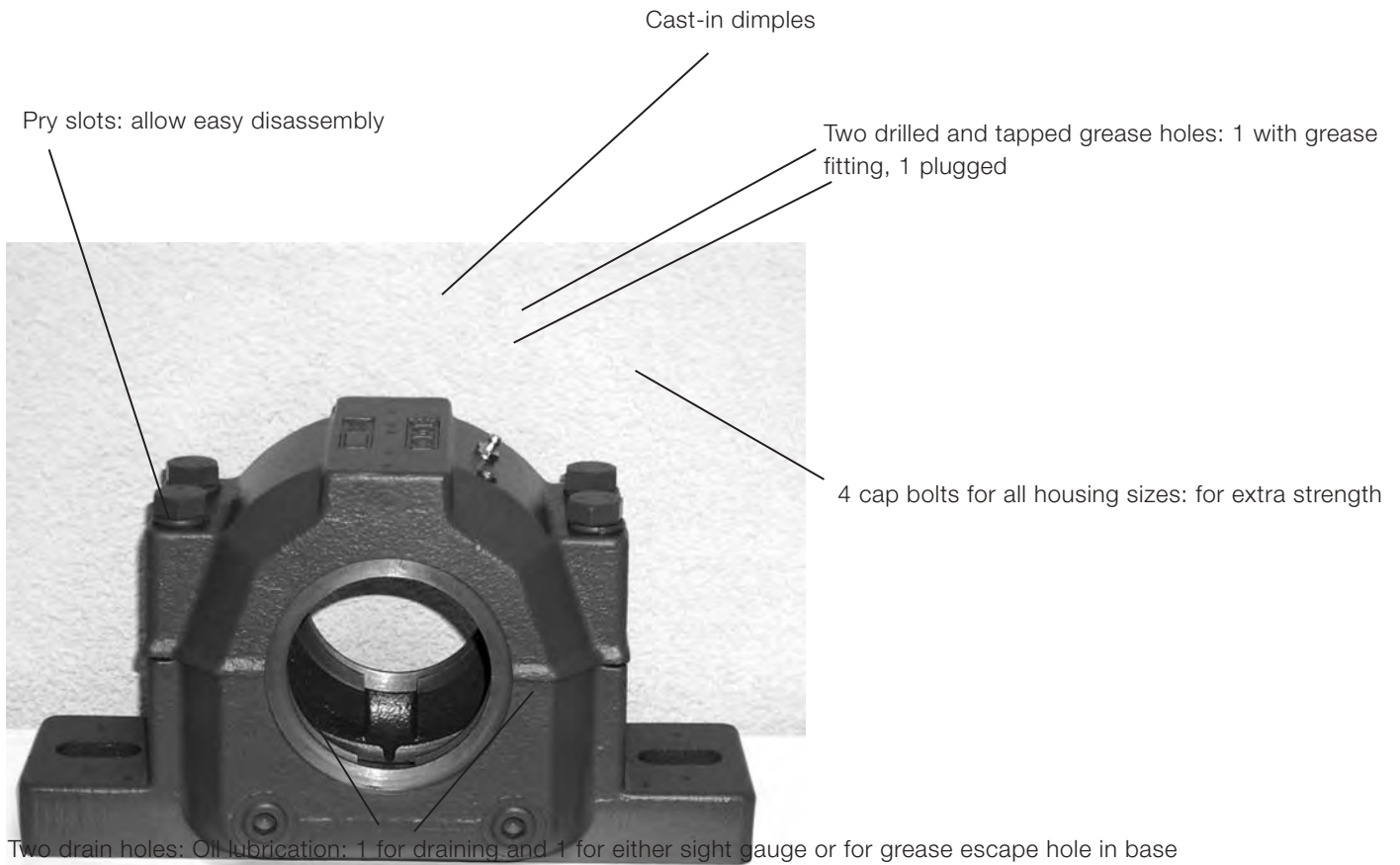
Shaft size	Series	Part no.	A	A1	B	C	D		E	F bolts	G	H	J	K	L	M	P	S	S1	X _{exp}
							Min	Max												
150mm	3134	072919	10.02	9.47	20.08	7.09	16.69	17.17	3.94	24mm	1.34	2.76	14.19	1.10	9.94	6.69	16.38	4.88	4.60	.78
160mm	3136	072920	10.49	9.94	20.87	7.48	17.48	17.96	4.33	24mm	1.34	2.95	14.96	1.10	10.45	7.08	17.24	5.18	4.90	.78
170mm	3138	072921	10.57	10.02	22.05	8.27	18.66	19.14	4.72	24mm	1.34	3.15	15.73	1.10	10.96	7.48	18.04	5.27	5.00	.78
180mm	3140	072922	11.20	10.65	24.02	9.06	19.80	20.36	5.12	30mm	1.65	3.35	16.77	1.38	11.22	8.27	18.52	5.43	5.15	.78
200mm	3144	072923	11.61	10.94	25.20	9.44	20.98	21.54	5.52	30mm	1.65	3.54	17.75	1.38	12.23	8.66	19.70	5.66	5.32	.78
220mm	3148	072924	12.46	11.79	27.56	10.24	23.34	23.90	5.90	30mm	1.65	3.74	19.14	1.38	12.24	9.45	20.88	6.10	5.77	.78
240mm	3152	072912	13.17	12.51	30.32	11.02	25.28	25.91	6.30	36mm	1.97	3.94	21.53	1.65	13.26	10.23	24.32	6.59	6.26	.78
260mm	3156	072913	13.28	12.61	31.10	11.02	26.06	26.69	6.30	36mm	1.97	4.13	22.95	1.65	14.28	11.02	24.38	6.75	6.41	.78
280mm	3160	072914	13.80	13.13	32.68	12.21	27.64	28.27	7.48	36mm	1.97	4.33	24.31	1.65	15.30	11.81	26.88	7.03	6.70	.78
300mm	3164	072915	14.46	13.79	34.65	12.99	29.21	29.84	7.87	36mm	1.97	4.53	26.10	1.65	16.33	12.60	28.38	7.22	6.89	.78
320mm	3168	072916	15.23	14.39	37.40	14.17	31.58	32.21	8.66	36mm	1.97	4.72	27.44	1.65	17.31	13.38	29.76	7.58	7.16	.78
340mm	3172	072917	15.16	14.49	39.37	14.17	32.76	33.39	8.66	36mm	1.97	4.72	28.53	1.65	18.35	13.78	31.88	7.71	7.38	.78
360mm	3176	072918	15.83	14.91	40.94	14.17	33.94	34.57	8.66	36mm	1.97	4.72	29.17	1.65	18.48	14.17	32.38	8.04	7.58	.78

Plummer blocks

Features/Benefits

SNX™

Split plummer block housing



Stronger feet for extra load capacity
Housing made of cast iron GG25

Plummer blocks

Features/Benefits

SNX



Oil equalization passage: allows oil flow from side to side



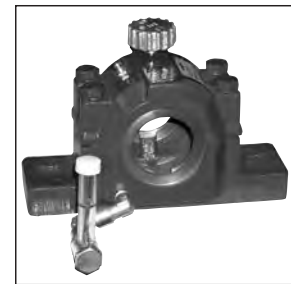
Extra capacity oil sump: lowers operating temperature

Standard SNX housings are suitable for either oil or grease lubrication

Seal options: Felt, V-Ring, LD, TS and TT Seals in the 200 and 500 Series



Oil return slots: prevent leaking



Oil sight gauge & breather kit available



Offset dowels and match mark: allows matching of cap to corresponding base

Dodge® SDX™ Heavy duty plummer block housings

SD housing with extra capability

- Size range 3040 to 3068, 3134 to 3164
- Available in cast iron (GG) from stock
- Accepts 23000K & 23100K spherical bearings
- Drilled and tapped grease hole with grease fitting
- TS labyrinth seal standard
- TT Triple-Tect seal optional; housing machined to allow direct greasing of seal and ability to purge seal
- Pre-drilled with grease hole & fitting over seal groove



Plummer blocks

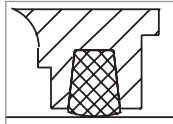
Features/Benefits

Seals

One housing / many seals

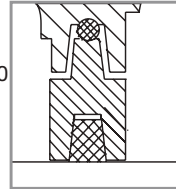
FS

Felt seal: Standard
SNX 209 - SNX 232
SNX 3028 - SNX 3038



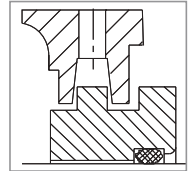
SK FS

Felt strip
SNX 509 - SNX 532
SNX 308/608 - SNX 320/620



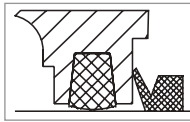
TS - SNX

Labyrinth seal
SNX 209/509 -
SNX 232/532



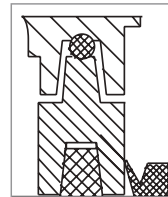
VR

Felt strip with V-ring seal
SNX 209 - SNX 232
SNX 3024 - SNX 3038



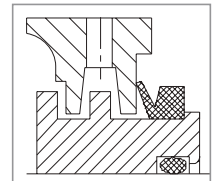
SK VR

Felt strip with V-ring seal
SNX 509 - SNX 532
SNX 308/608 - SNX 320/620



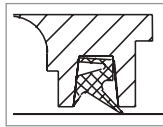
TT - SNX

Triple-tect
SNX 209/509 -
SNX 232/532



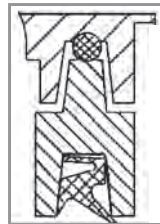
LD

Split two lip radial seal
SNX 209 - SNX 224
SNX 3028 - SNX 3032



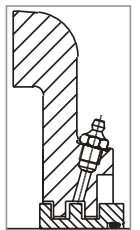
SK LD

Split two lip radial seal
SNX 509 - SNX 532
SNX 608 - SNX 620



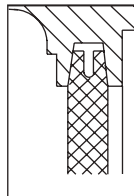
TS - SDX

Labyrinth seal: Standard
SDX 3040 - SDX 3068
SDX 3134 - SDX 3164

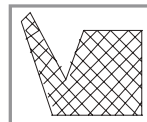


DK

End cover
SNX 209/509 - SNX 232/532
SNX 308/608 - SNX 320/620
SNX 3028 - SNX 3038

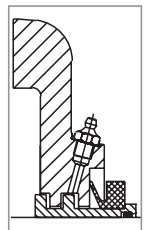


Single-lip radial seals
available individually



TT - SDX

Triple-tect / Taconite seal
SDX 3040 - SDX 3068
SDX 3134 - SDX 3164



Seal operating limits

	FS	LD	VR & TT	TS	DK
Max. circumferential speeds	4 m/s	8 m/s	4 m/s	brg. RPM limit	-
Max temperature	80-90°C	100-110°C	100-110°C	100-110°C	100-110°C

Plummer blocks

Selection

SNX cap load

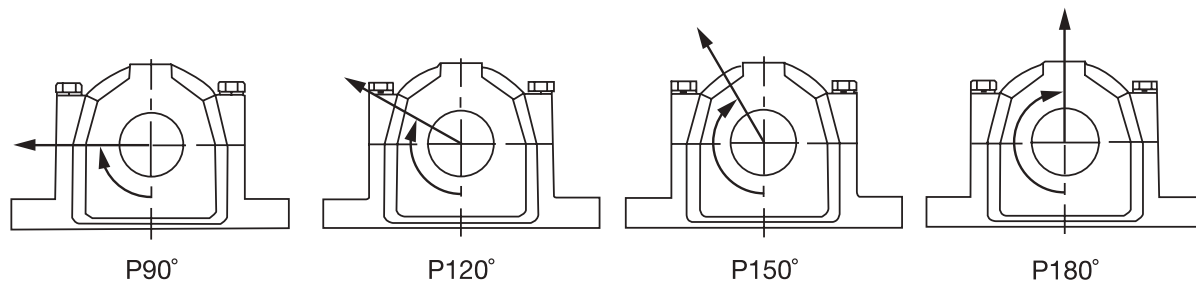


Table 7: SNX Housing rating & cap bolt ratings*

Housing GG					Housing breaking load				Maximum cap bolt			Cap bolts			
SNX 200	SNX 500	SNX 300	SNX 600	SNX 3000	kN 90°	kN 120°	kN 150°	kN 180°	kN 120°	kN 150°	kN 180°	Quantity	Size	Torque	Grade
209	509				130	95	90	110	100	60	50	4	M10	47-51	8,8
210	510	308	608		140	110	100	120	100	60	50	4	M10	47-51	8,8
211	511	309	609		170	120	110	140	160	90	80	4	M12	81-89	8,8
212	512	310	610		180	130	120	150	160	90	80	4	M12	81-89	8,8
213	513	311	611		200	150	140	170	160	90	80	4	M12	81-90	8,8
215	515	312	612		220	170	150	190	160	90	80	4	M12	81-90	8,8
216	516	313	613		260	200	180	220	220	130	120	4	M16	203-215	8,8
217	517	314	614		280	220	190	240	220	130	120	4	M16	203-215	8,8
218	518	315	615		320	240	200	260	220	130	120	4	M16	203-215	8,8
219	519	316	616		340	260	220	280	220	130	120	4	M16	203-215	8,8
220	520	317	617	3024	350	270	245	300	520	300	260	4	M20	415-420	8,8
222	522	319	619	3026	400	305	280	340	520	300	260	4	M20	415-420	8,8
224	524	320	620	3028	465	345	315	400	520	300	260	4	M20	415-420	8,8
226	526			3030	555	420	375	465	520	300	260	4	M20	415-420	8,8
228	528			3032	645	480	435	540	680	400	345	4	M24	720-725	8,8
230	530			3034	780	580	510	625	680	400	345	4	M24	720-726	8,8
232	532			3036	880	650	575	730	680	400	345	4	M24	720-727	8,8
				3038	880	650	575	730	680	400	345	4	M24	720-727	8,8

SNX housings are produced of grey cast iron GG25.

* When utilizing heavy Cap loads and pillow block housings, the installation must adhere to the following procedures

- 1) The pillow block base bolts must have high strength (Class 10.9) bolts and be properly tightened to mounting structure
- 2) Stop bars (shear strips) must be used against the pillow block where side loads are encountered
- 3) In all cases where loads are heavy, the L_{10} life of the bearing should be checked for proper selection and life requirements.

Plummer blocks

Selection

SDX cap loads

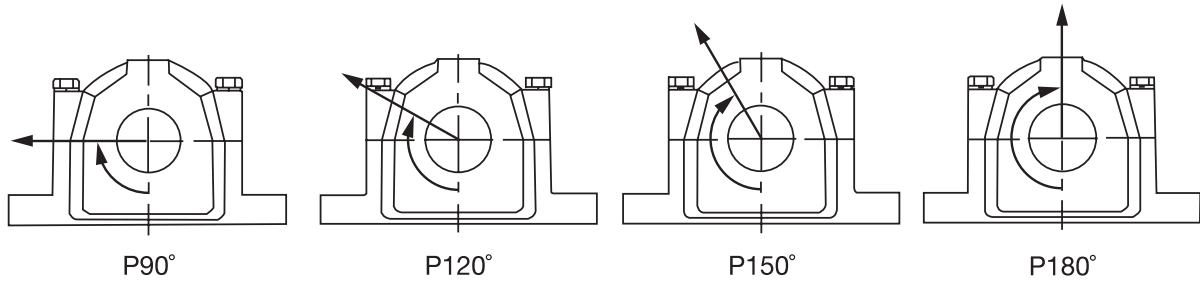


Table 8: SDX housing ratings & cap bolt ratings

Housing sizes GG	Housing breaking load (Cast iron)				Maximum cap bolt ratings			Cap Bolt Information
	kN	kN	kN	kN	kN	kN	kN	# & Size
	90°	120°	150°	180°	120°	150°	180°	
SDX 3134	1000	760	680	850	680	400	345	4 X M24
SDX 3136	1150	850	760	950	680	400	345	4 X M24
SDX 3138, SDX 3040	1300	1000	880	1100	680	400	345	4 X M24
SDX 3140, SDX 3044	1600	1100	1000	1300	680	400	345	4 X M24
SDX 3144, SDX 3048	1900	1400	1300	1600	680	400	345	4 X M24
SDX 3148, SDX 3052	2000	1500	1400	1700	1134	648	558	4 X M30
SDX 3152, SDX 3056	2300	1700	1500	1900	1134	648	558	4 X M30
SDX 3156, SDX 3060	2400	1800	1600	2000	1134	648	558	4 X M30
SDX 3160, SDX 3064	2900	2200	1900	2400	1134	648	558	4 X M30
SDX 3164, SDX 3068	3400	2500	2200	2800	1134	648	558	4 X M30

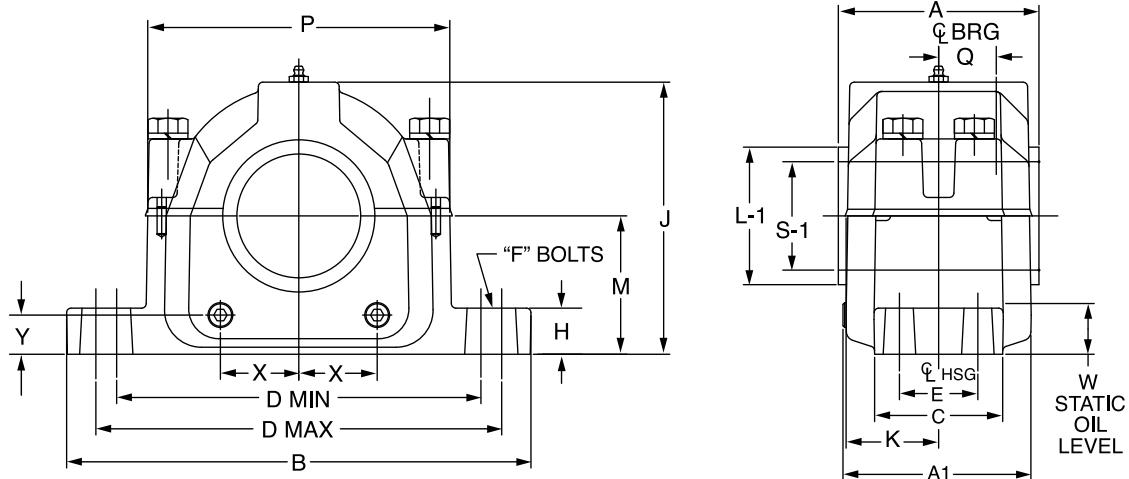
SDX housings are produced of grey cast iron GG25

Plummer blocks

Dimensions

SNX 200 - TS/TT

Plummer blocks for bearings 22200, 23200



Housing GG*		Labyrinth seal		Triple-tect seal	
Description	Part no.	Description	Part no.	Description	Part no.
SNX 209 - TS/TT	747199	TS 209	747234	TT 209	747217
SNX 210 - TS/TT	747201	TS 210	747235	TT 210	747218
SNX 211 - TS/TT	747202	TS 211	747236	TT 211	747219
SNX 212 - TS/TT	747203	TS 212	747237	TT 212	747220
SNX 213 - TS/TT	747204	TS 213	747238	TT 213	747221
SNX 215 - TS/TT	747205	TS 215	747239	TT 215	747222
SNX 216 - TS/TT	747206	TS 216	747240	TT 216	747223
SNX 217 - TS/TT	747207	TS 217	747241	TT 217	747224
SNX 218 - TS/TT	747208	TS 218	747242	TT 218	747225
SNX 219 - TS/TT	747209	TS 219	747243	TT 219	747226
SNX 220 - TS/TT	747210	TS 220	747244	TT 220	747227
SNX 222 - TS/TT	747211	TS 222	747245	TT 222	747228
SNX 224 - TS/TT	747212	TS 224	747246	TT 224	747229
SNX 226 - TS/TT	747213	TS 226	747247	TT 226	747230
SNX 228 - TS/TT	747214	TS 228	747248	TT 228	747231
SNX 230 - TS/TT	747215	TS 230	747249	TT 230	747232
SNX 232 - TS/TT	747216	TS 232	747250	TT 232	747233

* Housings are for use with TS or TT seals only

Plummer blocks

Dimensions

SNX 200 - TS/TT

Plummer blocks for bearings 22200, 23200

Dimensions in mm				
Description	kg	A (WITH SEALS)*		
		TS	TT	L-1
SNX 209 TS/TT	4,3	91	91	59
SNX 210 TS/TT	5,1	95	95	64
SNX 211 TS/TT	7,1	100	100	68
SNX 212 TS/TT	9,5	112	112	75
SNX 213 TS/TT	9,7	110	110	79
SNX 215 TS/TT	11,3	117	117	88
SNX 216 TS/TT	12,7	123	123	93
SNX 217 TS/TT	15,7	125	125	97
SNX 218 TS/TT	16,7	144	144	102
SNX 219 TS/TT	27,0	150	150	113
SNX 220 TS/TT	27,8	160	160	113
SNX 222 TS/TT	35,8	168	168	131
SNX 224 TS/TT	41,1	185	185	131
SNX 226 TS/TT	55,2	191	191	140
SNX 228 TS/TT	69,0	203	203	160
SNX 230 TS/TT	77,3	220	220	400
SNX 232 TS/TT	99,9	235	235	400

All other dimensions on page B7- 15

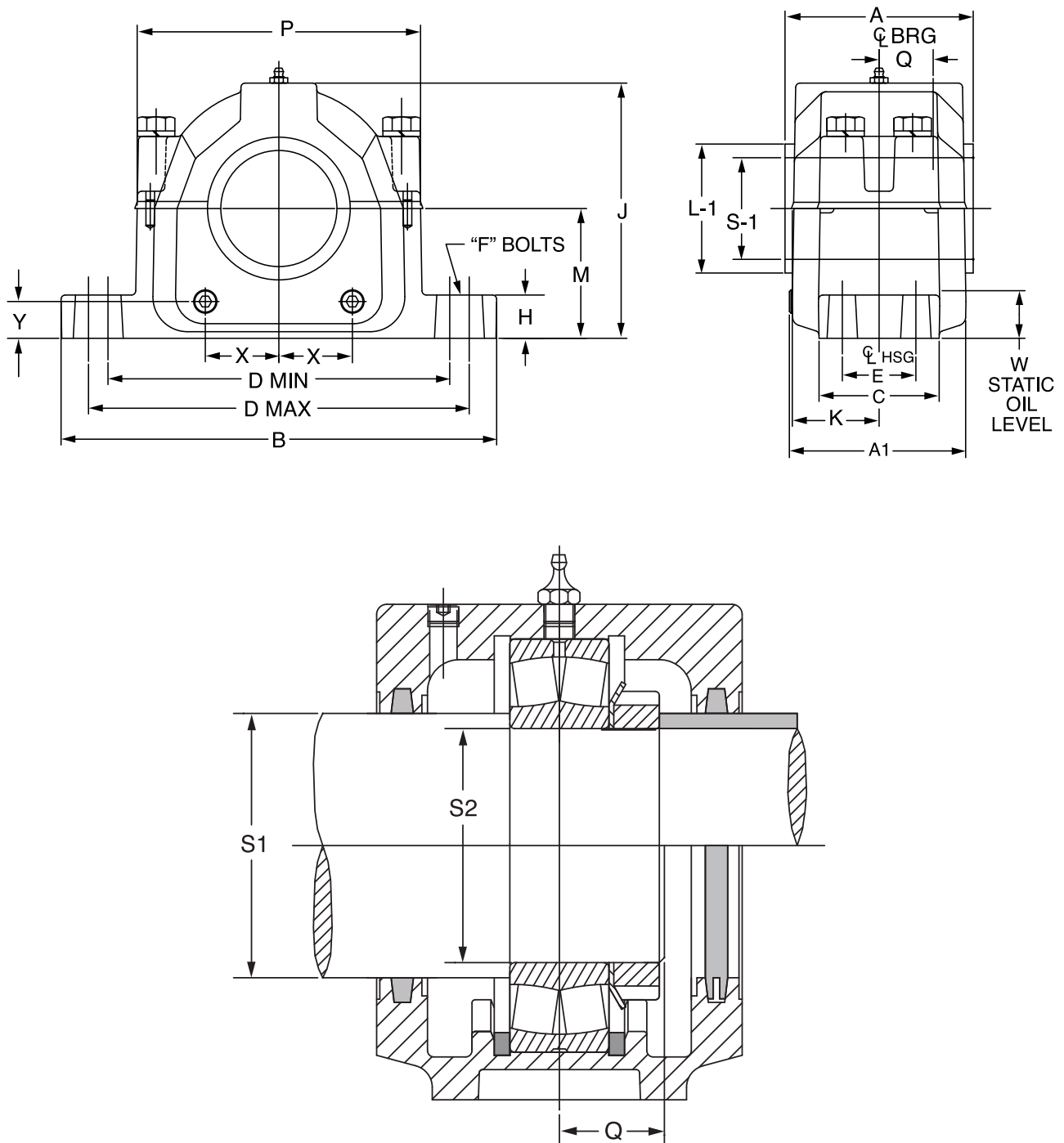
Housings are for use with TS or TT seals only

Plummer blocks

Dimensions

SNX 200 - LD/FS/DK

Plummer blocks for bearings 22200, 23200



Plummer blocks

Dimensions

SNX 200 - LD/FS/DK

Dimensions in mm																								
Description	kg	Shaft size			D			F bolt dia bolzen	W static oil level							A (With seals)								
		S-1	S-2	A1	B	C	Min		Max	H	J	K	M	P	Q	X	Y	LD	FS	End cover		TS	VR	L-1
SNX 209	4,3	55	45	94	210	60	159	178	M12	25	112	45	60	124	11.5	24,0	29	20	91	91	91	99	100	59
SNX 210	5,1	60	50	99	210	60	165	178	M12	23	113	48	60	130	11.5	29,0	31	17	95	95	95	103	105	64
SNX 211	7,1	65	55	104	244	70	187	210	M16	26	133	50	70	147	12.5	28,5	33	22	100	100	100	108	110	68
SNX 212	9,5	70	60	116	270	70	197	230	M16	29	139	56	70	156	14.0	32,0	38	20	112	112	112	119	125	75
SNX 213	9,7	75	65	113	279	80	206	241	M16	30	155	55	80	165	15.5	27,0	41	25	110	110	110	121	123	79
SNX 215	11,3	85	75	121	283	80	219	245	M16	29	161	59	80	179	15.5	38,0	44	21	117	117	117	126	128	88
SNX 216	12,7	90	80	127	320	90	245	279	M20	33	178	62	95	202	16.5	34,5	49	31	123	123	123	134	136	93
SNX 217	15,7	95	85	132	320	90	251	279	M20	32	187	63	95	208	18.0	35,5	53	28	125	125	125	137	139	97
SNX 218	16,7	100	90	151	346	98	260	299	M20	35	195	72	100	220	20.0	47,0	57	28	144	144	144	155	157	102
SNX 219	27,0	110	95	156	360	98	276	314	M20	35	214	75	112	229	21.5	39,5	60	35	150	150	150	161	165	113
SNX 220	27,8	115	100	164	390	110	295	333	M24	40	220	80	112	248	23.0	45,0	67	30	160	160	160	169	174	113
SNX 222	35,8	125	110	174	419	121	324	364	M24	45	239	84	125	269	26.5	53,5	73	34	168	168	168	175	180	131
SNX 224	41,1	135	120	191	419	120	337	368	M24	45	267	93	140	286	29.0	57,0	81	42	185	185	185	195	199	131
SNX 226	55,2	145	130	197	445	130	374	387	M24	50	290	95	150	315	32.0	49,0	84	39	191	191	191	200	204	140
SNX 228	69,0	155	140	210	500	150	400	420	M30	50	298	102	150	337	34.0	51,5	92	35	203	203	203	211	218	160
SNX 230	77,3	165	150	226	530	160	443	457	M30	60	317	110	160	364	36.5	53,0	91	34	220	220	220	230	237	400
SNX 232	99,9	175	160	241	550	160	457	483	M30	60	338	118	170	379	40.0	53,2	102	34	235	235	235	243	250	400

Plummer blocks

Selection

SNX 200 - LD/FS/DK

Description	Housing GG		LD Seal		FS Seal		VR Seal		DK End Cover	
	Description	Part no.	Description	Part no.	Description	Part no.	Description	Part no.	Description	Part no.
SNX 209	SNX 209/509	747025	LD 55	725357	6.5X8X200	713600	VS0055	738145	DK 55	709137
SNX 210	SNX 210/510/308/608	747026	LD 60	725358	6.5X8X230	713616	VS0060	738146	DK 60	709140
SNX 211	SNX 211/511/309/609	747027	LD 65	725359	6.5X8X230	713616	VS0065	738147	DK 65	709143
SNX 212	SNX 212/512/310/610	747028	LD 70	725360	7.5X9X260	713633	VS0070	738148	DK 70	709146
SNX 213	SNX 213/513/311/611	747029	LD 75	725361	7.5X9X260	713633	VS0075	738149	DK 75	709152
SNX 215	SNX 215/515/312/612	747030	LD 85	725363	7.5X9X155	713571	VS0085	738151	DK 85	709162
SNX 216	SNX 216/516/313/613	747031	LD 90	725364	8.5X10X165	713579	VS0090	738152	DK 90	709166
SNX 217	SNX 217/517/314	747032	LD 95	725366	8.5X10X175	713586	VS0095	738154	DK 90	709166
SNX 218	SNX 218/518/315/615	747033	LD 100	725341	10X12X185	713588	VS0100	738155	DK 100	708959
SNX 219	SNX 219/519/316/616	747034	LD 110	725342	10X12X200	713596	VS0110	738157	DK 110	708966
SNX 220	SNX 220/520/317/617	747035	LD 115	725343	10X12X210	713603	VS0115	738158	DK 115	708970
SNX 222	SNX 222/522/319/619	747036	LD 125	725344	10X12X230	713613	VS0125	738161	DK 125	708976
SNX 224	SNX 224/524/320/620	747037	LD 135	725345	10X12X245	713622	VS0135	738162	DK 135	708983
SNX 226	SNX 226/526	747038			10X12X265	713634	VS0145	738164	DK 145	740381
SNX 228	SNX 228/528	747039			10X12X280	713641	VS0155	738166	DK 155	740382
SNX 230	SNX 230/530	747040			10X12X300	713647	VS0165	738168	DK 165	740383
SNX 232	SNX 232/532	747041			10X12X300	713647	VS0175	738170	DK 175	740384

Plummer blocks

Dimensions

SNX 200 - LD/FS/DK

Housing GG	Spherical Roller Bearing		Fixing Rings		Spherical Roller Bearing		
Description	Description	Part no.	Description	Qty	Part no.	Description	Part No
SNX 209	22209E1.C3	421260	SR 85x3.5	2	747105		
SNX 210	22210E1.C3	421261	SR 90x9	2	747108		
SNX 211	22211E1.C3	421262	SR 100x9.5	2	747111		
SNX 212	22212E1.C3	421263	SR 110x10	2	747115		
SNX 213	22213E1.C3	421264	SR 120x10	2	747118		
SNX 215	22215E1.C3	421265	SR 130x12.5	2	747121		
SNX 216	22216E1.C3	421266	SR 140x12.5	2	747123		
SNX 217	22217E1.C3	421267	SR 150x12.5	2	747125		
SNX 218	22218E1.C3	421268	SR 160x12.5	2	747128	23218E1.C3	421396
SNX 219	22219E1.C3	422996	SR 170x12.5	2	747130		
SNX 220	22220E1.C3	421269	SR 180x12	2	747132	23220E.C3	703943
SNX 222	22222E1.C3	421270	SR 200x13.5	2	747137	23222.C3	740623
SNX 224	22224E1.C3	421271	SR 215x14	2	747141	23224.C3	703967
SNX 226	22226E1.C3	421272	SR 230x13	2	747143	23226.C3	703976
SNX 228	22228E1.C3	421273	SR 250x15	2	747146	23228.C3	741031
SNX 230	22230E1.C3	421274	SR 270x16.5	2	747149	23230.C3	703990
SNX 232	22232E1.C3	421275	SR 290x17	2	747152	23232.C3	741550

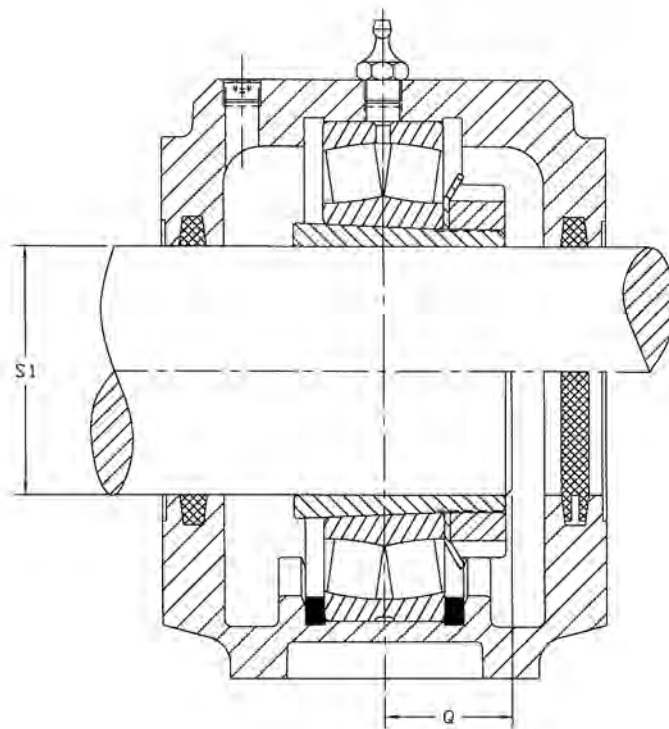
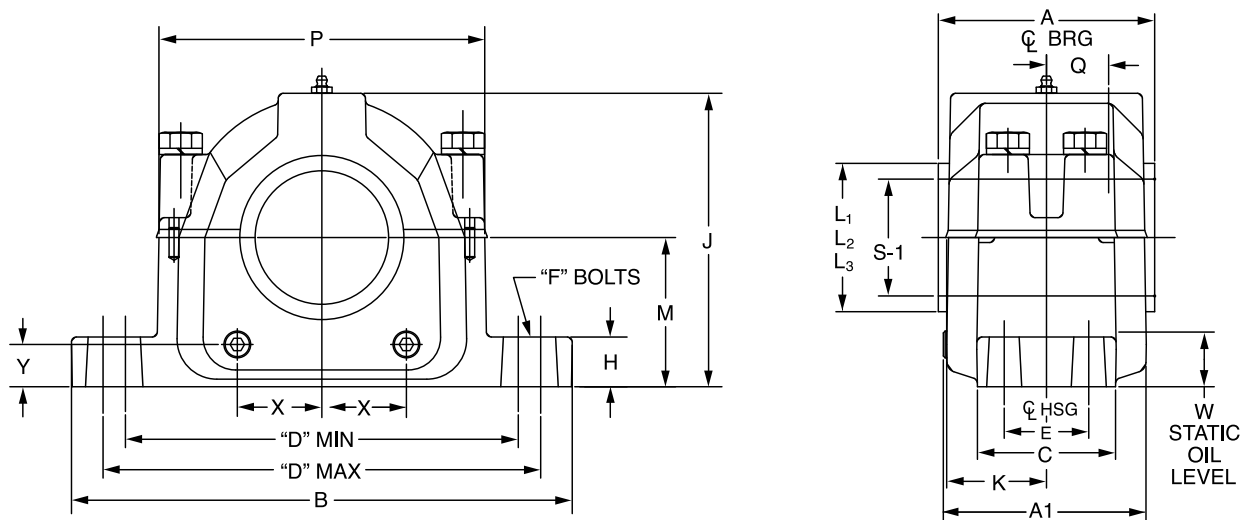
Housing GG	Fixing Rings		Locknut		Lockwasher		Sight Glasses		
Description	Description	Qty	Part no.	Description	Part No	Description	Part No	Description	Part no.
SNX 209				KM 9	046285	MB 9	046304	SG 209	740452
SNX 210				KM 10	046286	MB 10	046305	SG 210	740452
SNX 211				KM 11	046287	MB 11	046306	SG 211	740452
SNX 212				KM 12	046487	MB 12	046489	SG 212	740452
SNX 213				KM 13	046288	MB 13	046307	SG 213	740452
SNX 215				KM 15	046289	MB 15	046308	SG 215	740452
SNX 216				KM 16	046290	MB 16	046309	SG 216	740452
SNX 217				KM 17	046291	MB 17	046310	SG 217	740453
SNX 218	SR 160x6.25	2	747189	KM 18	046292	MB 18	046311	SG 218	740453
SNX 219				KM 19	046488	MB 19	046490	SG 219	740453
SNX 220	SR 180x4.85	2	747190	KM 20	046293	MB 20	046312	SG 220	740453
SNX 222	SR 200x5.1	2	747191	KM 22	046294	MB 22	046313	SG 222	740453
SNX 224	SR 215x5	2	712225	KM 24	046295	MB 24	046314	SG 224	740453
SNX 226	SR 230x5	2	747192	KM 26	046296	MB 26	046315	SG 226	740453
SNX 228	SR 250x5	2	747193	KM 28	046297	MB 28	046316	SG 228	740453
SNX 230	SR 270x5	2	747194	KM 30	046298	MB 30	046317	SG 230	740453
SNX 232	SR 290x5	2	747195	KM 32	046299	MB 32	046318	SG 232	740453

Plummer blocks

Dimensions

SNX 500

Plummer blocks for bearings 1200K, 2200K, 22200K, 23200K



Plummer blocks

Dimensions

SNX 500

Dimensions in mm																										
Description	Wt. kg	S-1 shaft size	A ₁			D		F bolt dia.	W static oil level							A (With seals)							L ₁ VR	L ₂ TS	L ₃ TT	
			B	C	Min	Max	H		J	K	M	P	Q	X	Y	LD	FELT	VR	TS	TT	EC					
SNX 509	4,3	40	94	210	60	159	178	M12	25	112	45	60	124	23	24,0	29	20	91	91	100	99	107	91	50	55	65
SNX 510	5,1	45	99	210	60	165	178	M12	23	113	48	60	130	24	29,0	31	17	95	95	105	103	111	95	55	63	70
SNX 511	7,1	50	104	244	70	187	210	M16	26	133	50	70	147	25	28,5	33	22	100	100	110	108	116	100	60	68	75
SNX 512	9,5	55	116	270	70	197	230	M16	29	139	56	70	156	27	32,0	38	20	112	112	121	119	127	112	65	75	82
SNX 513	9,7	60	113	279	80	206	241	M16	30	155	55	80	165	30	27,0	41	25	110	110	119	121	125	110	70	81	92
SNX 515	11,3	65	121	283	80	219	245	M16	29	161	59	80	179	31	38,0	44	21	117	117	124	126	130	117	75	86	97
SNX 516	12,7	70	127	320	90	245	279	M20	33	178	62	95	202	34	34,5	49	31	123	123	136	134	143	123	82	94	102
SNX 517	15,7	75	132	320	90	251	279	M20	32	187	63	95	208	36	35,5	53	28	125	125	139	137	145	125	87	100	107
SNX 518	16,7	80	151	346	98	260	299	M20	35	195	72	100	220	38	47,0	57	28	144	144	157	155	163	144	92	105	112
SNX 519	27,0	85	156	360	98	276	314	M20	35	214	75	112	229	41	39,5	60	35	150	150	162	161	169	150	97	110	124
SNX 520	27,8	90	164	390	110	295	333	M24	40	220	80	112	248	43	45,0	67	30	160	160	171	169	177	160	102	127	124
SNX 522	35,8	100	174	419	120	324	364	M24	45	238	84	125	269	48	53,5	73	34	168	168	177	175	183	168	112	139	144
SNX 524	41,1	110	191	419	120	337	368	M24	45	267	93	140	286	51	57,0	81	42	185	185	199	195	202	185	124	149	154
SNX 526	55,2	115	197	445	130	374	387	M24	50	290	95	150	315	55	49,0	84	39	191	191	204	200	211	191	129	158	154
SNX 528	69,0	125	210	500	150	400	420	M30	50	298	102	150	337	58	51,5	92	35	203	203	215	211	222	203	139	160	164
SNX 530	77,3	135	226	530	160	443	457	M30	60	317	110	160	364	63	53,0	91	34	220	220	233	230	239	220	149	180	176
SNX 532	99,9	140	241	550	160	457	483	M30	60	338	118	170	379	68	53,2	102	34	235	235	247	243	253	235	154	188	186

Description	Housing GG		SK LD seal		SK FS seal	
	Description	Part no.	Description	Part no.	Description	Part no.
SNX 509	SNX 209/509	747025	SK 509 LD 40	496446	SK 509 FS 40	496464
SNX 510	SNX 210/510/308/608	747026	SK 510 LD 45	496447	SK 510 FS 45	496465
SNX 511	SNX 211/511/309/609	747027	SK 511 LD 50	496448	SK 511 FS 50	496466
SNX 512	SNX 212/512/310/610	747028	SK 512 LD 55	496449	SK 512 FS 55	496467
SNX 513	SNX 213/513/311/611	747029	SK 513 LD 60	496450	SK 513 FS 60	496468
SNX 515	SNX 215/515/312/612	747030	SK 515 LD 65	496451	SK 515 FS 65	496469
SNX 516	SNX 216/516/313/613	747031	SK 516 LD 70	496452	SK 516 FS 70	496470
SNX 517	SNX 217/517/314	747032	SK 517 LD 75	496453	SK 517 FS 75	496471
SNX 518	SNX 218/518/315/615	747033	SK 518 LD 80	496454	SK 518 FS 80	496472
SNX 519	SNX 219/519/316/616	747034	SK 519 LD 85	496455	SK 519 FS 85	496473
SNX 520	SNX 220/520/317/617	747035	SK 520 LD 90	496456	SK 520 FS 90	496474
SNX 522	SNX 222/522/319/619	747036	SK 522 LD 100	496457	SK 522 FS 100	496475
SNX 524	SNX 224/524/320/620	747037	SK 524 LD 110	496458	SK 524 FS 110	496476
SNX 526	SNX 226/526	747038	SK 526 LD 115	496459	SK 526 FS 115	496477
SNX 528	SNX 228/528	747039	SK 528 LD 125	496460	SK 528 FS 125	496478
SNX 530	SNX 230/530	747040	SK 530 LD 135	496461	SK 530 FS 135	496479
SNX 532	SNX 232/532	747041	SK 532 LD 140	496462	SK 532 FS 140	496480

Plummer blocks

Dimensions

SNX 500

Description	SK VR seal		Labyrinth seal		Triple-tect seal		EC end cover	
	Description	Part no.	Description	Part no.	Description	Part no.	Description	Part no.
SNX 509	SK 509 VR 40	496482	TS 509	747328	TT 509	747384	DK 55	709137
SNX 510	SK 510 VR 45	496483	TS 510	747329	TT 510	747385	DK 60	709140
SNX 511	SK 511 VR 50	496484	TS 511	747330	TT 511	747386	DK 65	709143
SNX 512	SK 512 VR 55	496485	TS 512	747331	TT 512	747387	DK 70	709146
SNX 513	SK 513 VR 60	496486	TS 513	747332	TT 513	747388	DK 75	709152
SNX 515	SK 515 VR 65	496487	TS 515	747333	TT 515	747389	DK 85	709162
SNX 516	SK 516 VR 70	496488	TS 516	747334	TT 516	747390	DK 90	709166
SNX 517	SK 517 VR 75	496489	TS 517	747335	TT 517	747391	DK 90	709166
SNX 518	SK 518 VR 80	496490	TS 518	747336	TT 518	747392	DK 100	708959
SNX 519	SK 519 VR 85	496491	TS 519	747337	TT 519	747393	DK 110	708966
SNX 520	SK 520 VR 90	496492	TS 520	747338	TT 520	747394	DK 115	708970
SNX 522	SK 522 VR 100	496493	TS 522	747339	TT 522	747395	DK 125	708976
SNX 524	SK 524 VR 110	496494	TS 524	747340	TT 524	747396	DK 135	708983
SNX 526	SK 526 VR 115	496495	TS 526	747341	TT 526	747397	DK 145	740381
SNX 528	SK 528 VR 125	496496	TS 528	747342	TT 528	747398	DK 155	740382
SNX 530	SK 530 VR 135	496497	TS 530	747343	TT 530	747399	DK 165	740383
SNX 532	SK 532 VR 140	496498	TS 532	747344	TT 532	747400	DK 175	740384

Description	Spherical roller bearing		Fixing rings			Adapters		Spherical roller bearing	
	Description	Part no.	Description	Quantity	Part no.	Description	Part no.	Description	Part no.
SNX 509	22209EK1.C3	422134	SR 85x3.5	2	747105	H 309	046331		
SNX 510	22210EK1.C3	422137	SR 90x9	2	747108	H 310	046332		
SNX 511	22211EK1.C3	422123	SR 100x9.5	2	747111	H 311	046219		
SNX 512	22212EK1.C3	422978	SR 110x10	2	747115	H 312	046333		
SNX 513	22213EK1.C3	422124	SR 120x10	2	747118	H 313	046221		
SNX 515	22215EK1.C3	422001	SR 130x12.5	2	747121	H 315	046222		
SNX 516	22216EK1.C3	422003	SR 140x12.5	2	747123	H 316	046223		
SNX 517	22217EK1.C3	422005	SR 150x12.5	2	747125	H 317	046224		
SNX 518	22218EK1.C3	422007	SR 160x12.5	2	747128	H 318	046225	23218K.C3	739329
SNX 519	22219EK1.C3	422979	SR 170x12.5	2	747130	H 319	719499		
SNX 520	22220EK1.C3	422009	SR 180x12	2	747132	H 320	046226	23220K.C3	703941
SNX 522	22222EK1.C3	422011	SR 200x13.5	2	747137	H 322	046227	23222K.C3	703951
SNX 524	22224EK1.C3	422013	SR 215x14	2	747141	H 3124	046228	23224EASK.M.C3	703967
SNX 526	22226EK1.C3	422015	SR 230x13	2	747143	H 3126	046229	23226K.C3	703971
SNX 528	22228EK1.C3	422017	SR 250x15	2	747146	H 3128	046230	23228K.C3	703982
SNX 530	22230EK1.C3	422019	SR 270x16.5	2	747149	H 3130	046231	23230K.C3	703989
SNX 532	22232EK1.C3	422021	SR 290x17	2	747152	H 3132	046232	23232K.C3	703996

Plummer blocks

Dimensions

SNX 500

Description	Fixing rings			Adapters		Sight glasses	
	Description	Quantity	Part no.	Description	Part no.	Description	Part no.
SNX 509						SG 509	740452
SNX 510						SG 510	740452
SNX 511						SG 511	740452
SNX 512						SG 512	740452
SNX 513						SG 513	740452
SNX 515						SG 515	740452
SNX 516						SG 516	740452
SNX 517						SG 517	740453
SNX 518	SR 160x6.25	2	747189	H 2318	719400	SG 518	740453
SNX 519				H 2319	046719	SG 519	740453
SNX 520	SR 180x4.85	2	747190	H 2320	046720	SG 520	740453
SNX 522	SR 200x5.1	2	747191	H 2322	046721	SG 522	740453
SNX 524	SR 215x5	2	712225	H 2324	046722	SG 524	740453
SNX 526	SR 230x5	2	747192	H 2326	046723	SG 526	740453
SNX 528	SR 250x5	2	747193	H 2328	719406	SG 528	740453
SNX 530	SR 270x5	2	747194	H 2330	053201	SG 530	740453
SNX 532	SR 290x5	2	747195	H 2332	719408	SG 532	740453

Description	Self-aligning ball bearings		Fixing rings			Adapters	
	Description	Part no.	Description	Quantity	Part no.	Description	Part no.
SNX 509	1209K.C3	052637	SR 85x5.5	2	747177	H 209	719372
SNX 510	1210K.C3	052638	SR 90x10.5	2	747178	H 210	719373
SNX 511	1211K.C3	052639	SR 100x12	2	747179	H 211	719374
SNX 512	1212K.C3	739145	SR 110x13	2	747180	H 212	719375
SNX 513	1213K.C3	052640	SR 120x14	2	747181	H 213	719376
SNX 515	1215K.C3	052641	SR 130x15.5	2	747182	H 215	719378
SNX 516	1216K.C3	052642	SR 140x16	2	747183	H 216	719379
SNX 517	1217K.C3	052643	SR 150x16.5	2	747184	H 217	719380
SNX 518	1218K.C3	052570	SR 160x17.5	2	747185	H 218	719381
SNX 519	1219K.C3	701659	SR 170x18	2	747186	H 219	719382
SNX 520	1220K.C3	052644	SR 180x18	2	747187	H 220	719383
SNX 522	1222K.C3	051841	SR 200x21	2	747188	H 222	719385

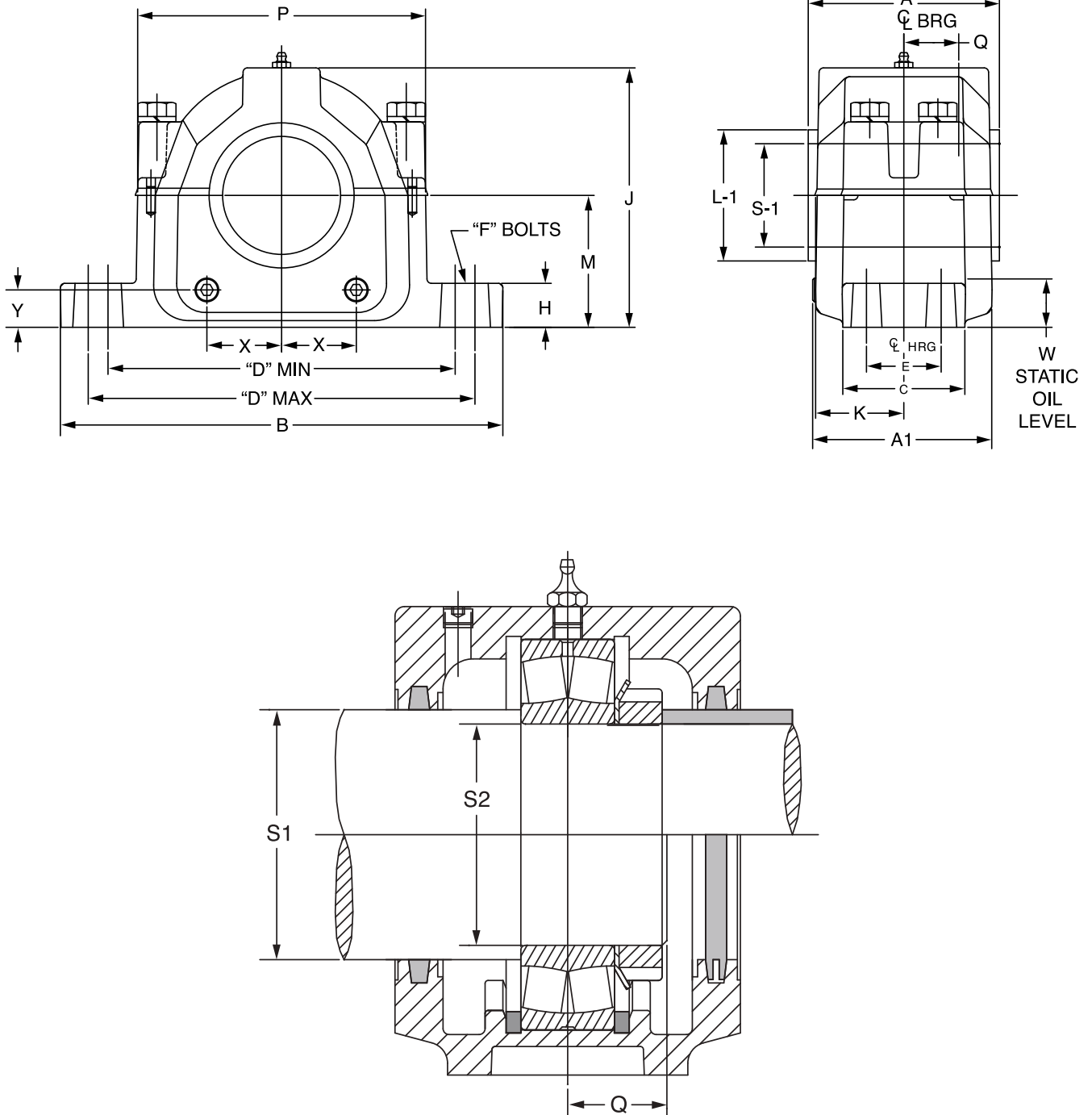
Description	Self-aligning ball bearings		Fixing rings			Adapters	
	Description	Part no.	Description	Quantity	Part no.	Description	Part no.
SNX 509	2209K.C3	739150	SR 85x3.5	2	747105	H 309	046331
SNX 510	2210K.C3	702830	SR 90x9	2	747108	H 310	046332
SNX 511	2211K.C3	702844	SR 100x9.5	2	747111	H 311	046219
SNX 512	2212K.C3	702857	SR 110x10	2	747115	H 312	046333
SNX 513	2213K.C3	702867	SR 120x10	2	747118	H 313	046221
SNX 515	2215K.C3	739153	SR 130x12.5	2	747121	H 315	046222
SNX 516	2216K.C3	702883	SR 140x12.5	2	747123	H 316	046223
SNX 517	2217K.C3	702893	SR 150x12.5	2	747125	H 317	046224
SNX 518	2218K.C3	739154	SR 160x12.5	2	747128	H 318	046225
SNX 519	2219K.M.C3	702904	SR 170x12.5	2	747130	H 319	719499
SNX 520	2220K.M.C3	702907	SR 180x12	2	747132	H 320	046226
SNX 522	2222K.C3	421399	SR 200x13.5	2	747137	H 322	046227

Plummer blocks

Dimensions

SNX 300

Plummer blocks for bearings 22300



Plummer blocks

Dimensions

SNX 300

Dimensions in mm

Description	kg	S-1 S-2		D			F Bolt Dia	W static oil level							A (With seals)						
		Shaft Size	A1	B	C	Min		Max	H	J	K	M	P	Q ★	X	Y	Felt FS	End cover DK	L1		
SNX 308	5.1	50	40	99.1	210	59.5	165.1	177.8	M12	22.6	113	47.6	59.9	130.2	18	26.5	30.5	17	95.3	95.3	64.3
SNX 309	7.1	55	45	103.8	244.4	69.9	187.3	209.6	M16	26.2	133.4	50	69.9	146.8	18	32.5	33	22.1	100.0	100.0	68.1
SNX 310	9.5	60	50	115.8	269.9	69.9	196.9	229.6	M16	29.4	138.9	56	69.9	155.6	20	28.6	38	19.5	112.0	112.0	75.2
SNX 311	9.7	65	55	113.3	279.4	80	206.4	241.3	M16	30.2	154.8	54.8	79.9	165.1	21.5	33.9	41.1	25	109.5	109.5	79.2
SNX 312	11.3	70	60	121.2	282.6	80	219.1	244.5	M16	29.4	161.1	58.7	79.9	179.4	23	30.7	44	20.5	117.4	117.4	88.1
SNX 313	12.7	75	65	126.8	319.9	90	244.5	279.4	M20	32.9	177.6	61.5	94.9	201.6	24	41.7	49	30.5	123.0	123.0	93.2
SNX 314	15.7	80	70	131.6	319.7	90	250.8	279.4	M20	31.8	187.4	62.7	94.9	208	25.5	37.3	52.6	28	125.2	125.2	97.3
SNX 315	16.7	85	75	150.8	346.1	98.4	260.4	298.5	M20	34.9	195.3	72.2	99.9	219.9	27.5	38.8	56.8	27.5	144.4	144.4	102.1
SNX 316	27.0	90	80	156.4	360	98.4	276.2	314.3	M20	35	213.6	75	111.9	229.4	29	46.9	60	35	150.0	150.0	113.3
SNX 317	27.8	95	85	164.1	390	110.3	295.3	333.4	M24	39.7	219.9	80.2	111.9	248.4	30	42.1	66.6	30	160.3	160.3	113.3
SNX 319	35.8	110	95	173.9	419.1	120.7	323.9	364.3	M24	44.9	238.5	83.7	124.9	269.1	33.5	50.1	73	33.8	167.5	167.5	131.3
SNX 320	41.1	115	100	191.3	419.1	119.9	336.6	368.3	M24	45	267	92.5	139.9	285.8	36.5	58.1	81	42.1	184.9	184.9	131.3

Description	Housing GG		SK FS Seal		End Cover		Sight Glasses	
	Description	Part no.	Description	Part no.	Description	Part no.	Description	Part no.
SNX 308	SNX 210/510/308/608	747026	SK 308 FS 50	496400	DK 60	709140	SG 308	740452
SNX 309	SNX 211/511/309/609	747027	SK 309 FS 55	496401	DK 65	709143	SG 309	740452
SNX 310	SNX 212/512/310/610	747028	SK 310 FS 60	496402	DK 70	709146	SG 310	740452
SNX 311	SNX 213/513/311/611	747029	SK 311 FS 65	496403	DK 75	709152	SG 311	740452
SNX 312	SNX 215/515/312/612	747030	SK 312 FS 70	496404	DK 85	709162	SG 312	740452
SNX 313	SNX 216/516/313/613	747031	SK 313 FS 75	496405	DK 90	709166	SG 313	740452
SNX 314	SNX 217/517/314	747032	SK 314 FS 80	496406	DK 90	709166	SG 314	740453
SNX 315	SNX 218/518/315/615	747033	SK 315 FS 85	496407	DK 100	708959	SG 315	740453
SNX 316	SNX 219/519/316/616	747034	SK 316 FS 90	496408	DK 110	708966	SG 316	740453
SNX 317	SNX 220/520/317/617	747035	SK 317 FS 95	496409	DK 115	708970	SG 317	740453
SNX 319	SNX 222/522/319/619	747036	SK 319 FS 110	496410	DK 125	708976	SG 319	740453
SNX 320	SNX 224/524/320/620	747037	SK 320 FS 115	496411	DK 135	708983	SG 320	740453

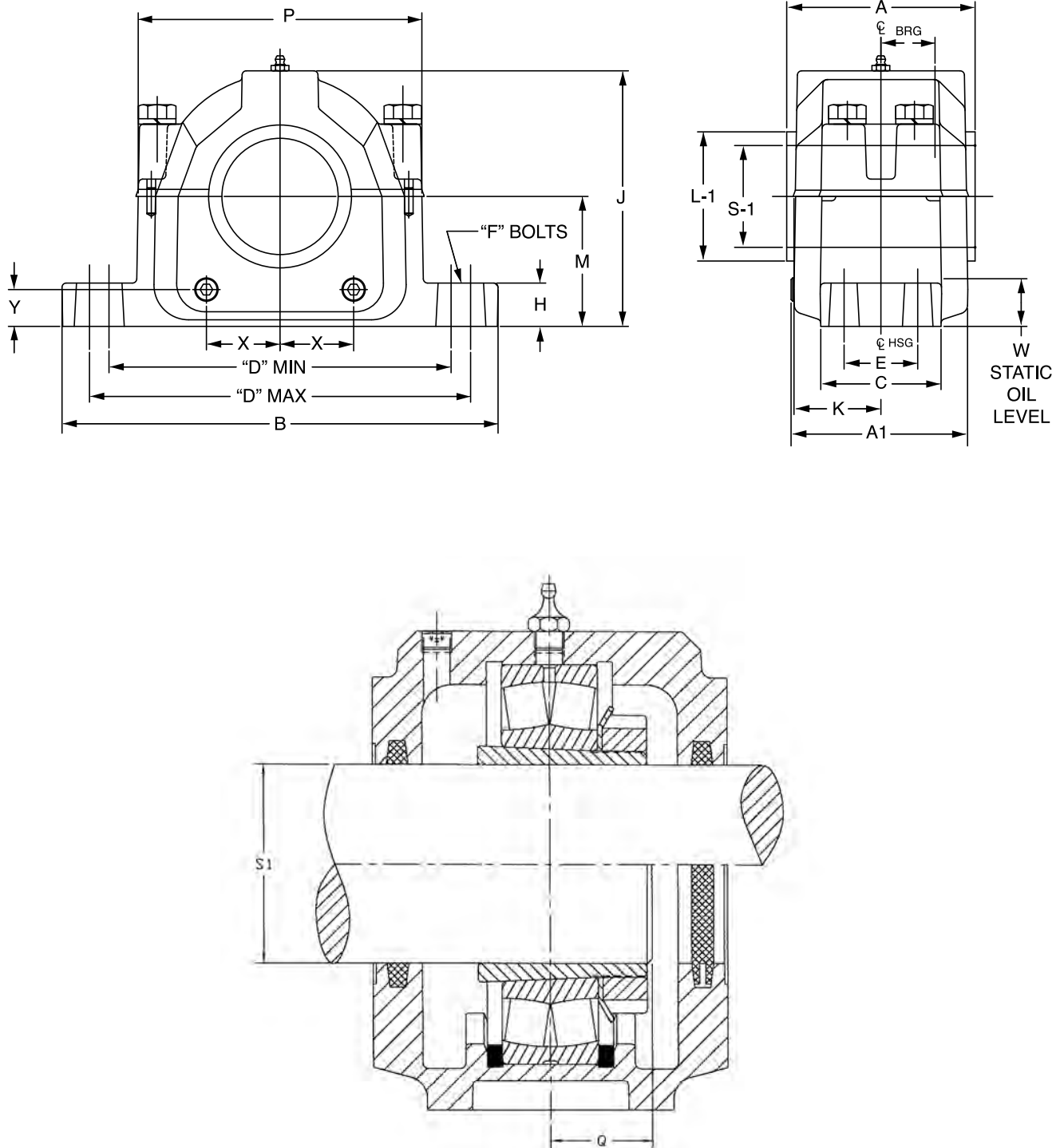
Description	Spherical Roller Bearing		Fixing Rings		Locknut		Lockwasher		
	Description	Part no.	Description	Quantity	Part no.	Description	Part no.	Description	Part no.
SNX 308	22308E1.C3	423124	SR 90X4	2	747107	KM 8	046492	MB 8	046496
SNX 309	22309E1.C3	423125	SR 100X4	2	747110	KM 9	046285	MB 9	046304
SNX 310	22310E1.C3	423143	SR 110X4	2	747114	KM 10	046286	MB 10	046305
SNX 311	22311E1.C3	423126	SR 120X4	2	747117	KM11	046287	MB11	046306
SNX 312	22312E1.C3	423127	SR 130X4	2	747120	KM 12	046487	MB 12	046489
SNX 313	22313E1.C3	423128	SR 140X5	2	747122	KM13	046288	MB13	046307
SNX 314	22314E1.C3	423129	SR 150X5	2	747124	KM 14	046238	MB 14	046239
SNX 315	22315E1.C3	423130	SR 160X5	2	747126	KM 15	046289	MB 15	046308
SNX 316	22316E1.C3	423144	SR 170X5	2	747129	KM 16	046290	MB 16	046309
SNX 317	22317E1.C3	423131	SR 180X5	2	747131	KM 17	046291	MB 17	046310
SNX 319	22319E1.C3	423145	SR 200X6.5	2	747135	KM 19	046488	MB 19	049490
SNX 320	22320E1.C3	423132	SR 215X6.5	2	747139	KM 20	046293	MB 20	046312

Plummer blocks

Dimensions

SNX 600

Plummer blocks for bearings 22300K



Plummer blocks

Dimensions

SNX 600

Description	Kg	S-1 Shaft		D				F Bolt							W Static Oil			A (With Seals)				L1 VR
		Size	A1	B	C	Min	Max	Dia	H	J	K	M	P	Q	Level	X	Y	LD	Felt FS	End Cover	VR	
SNX 608	5.1	35	99	210	60	165	178	M12	23	113	48	60	130	27	26.5	31	17	95	95	95	103	43
SNX 609	7.1	40	104	244	70	187	210	M16	26	133	50	70	147	29	32.5	33	22	100	100	100	110	50
SNX 610	9.5	45	116	270	70	197	230	M16	29	139	56	70	156	32	28.6	38	20	112	112	112	121	55
SNX 611	9.7	50	113	279	80	206	241	M16	30	155	55	80	165	34	33.9	41	25	110	110	110	119	60
SNX 612	11.3	55	121	283	80	219	245	M16	29	161	59	80	179	36	30.7	44	21	117	117	117	124	65
SNX 613	12.7	60	127	320	90	245	279	M20	33	178	62	95	202	35	41.7	49	31	123	123	123	132	70
SNX 615	16.7	65	151	346	98	260	299	M20	35	195	72	100	220	43	38.8	57	28	144	144	144	153	75
SNX 616	27.0	70	156	360	98	276	314	M20	35	214	75	112	229	46	46.9	60	35	150	150	150	162	82
SNX 617	27.8	75	164	390	110	295	333	M24	40	220	80	112	248	48	42.1	67	30	160	160	160	171	87
SNX 619	35.8	85	174	419	120	324	364	M24	45	238	84	125	269	53	50.1	73	34	168	168	168	177	97
SNX 620	41.1	90	191	419	120	337	368	M24	45	267	93	140	286	57	58.1	81	42	185	185	185	196	102

Description	Housing GG		SK LD Seal		SK FS Seal		SK VR Seal		End Cover	
	Description	Part no.	Description	Part no.	Description	Part no.	Description	Part no.	Description	Part no.
SNX 608	SNX 210/510/308/608	747026	SK 608 LD 35	496412	SK 608 FS 35	496423	SK 608 VR 35	496434	DK 60	709140
SNX 609	SNX 211/511/309/609	747027	SK 609 LD 40	496413	SK 609 FS 40	496424	SK 609 VR 40	496435	DK 65	709143
SNX 610	SNX 212/512/310/610	747028	SK 610 LD 45	496414	SK 610 FS 45	496425	SK 610 VR 45	496436	DK 70	709146
SNX 611	SNX 213/513/311/611	747029	SK 611 LD 50	496415	SK 611 FS 50	496426	SK 611 VR 50	496437	DK 75	709152
SNX 612	SNX 215/515/312/612	747030	SK 612 LD 55	496416	SK 612 FS 55	496427	SK 612 VR 55	496438	DK 85	709162
SNX 613	SNX 216/516/313/613	747031	SK 613 LD 60	496417	SK 613 FS 60	496428	SK 613 VR 60	496439	DK 90	709166
SNX 615	SNX 218/518/315/615	747033	SK 615 LD 65	496418	SK 615 FS 65	496429	SK 615 VR 65	496440	DK 100	708959
SNX 616	SNX 219/519/316/616	747034	SK 616 LD 70	496419	SK 616 FS 70	496430	SK 616 VR 70	496421	DK 110	708966
SNX 617	SNX 220/520/317/617	747035	SK 617 LD 75	496420	SK 617 FS 75	496431	SK 617 VR 75	496442	DK 115	708970
SNX 619	SNX 222/522/319/619	747036	SK 619 LD 85	496421	SK 619 FS 85	496432	SK 619 VR 85	496443	DK 125	708976
SNX 620	SNX 224/524/320/620	747037	SK 620 LD 90	496422	SK 620 FS 90	496433	SK 620 VR 90	496444	DK 135	708983

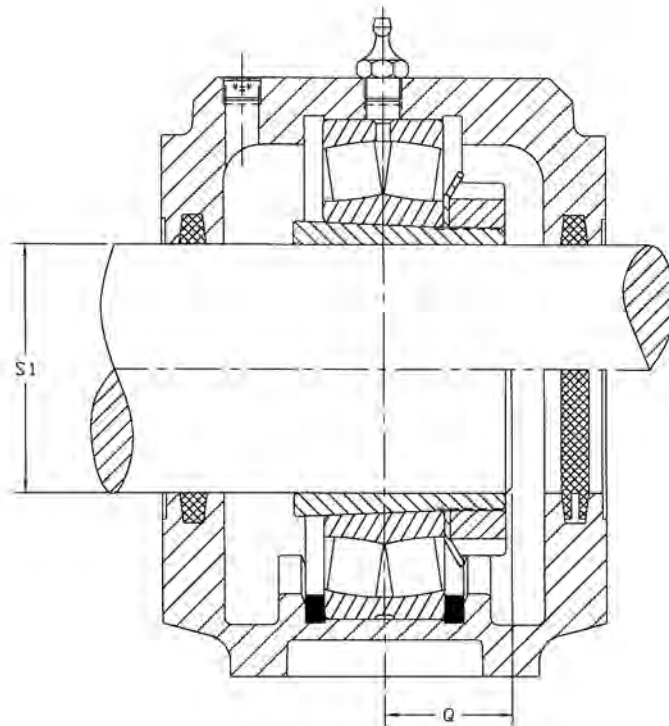
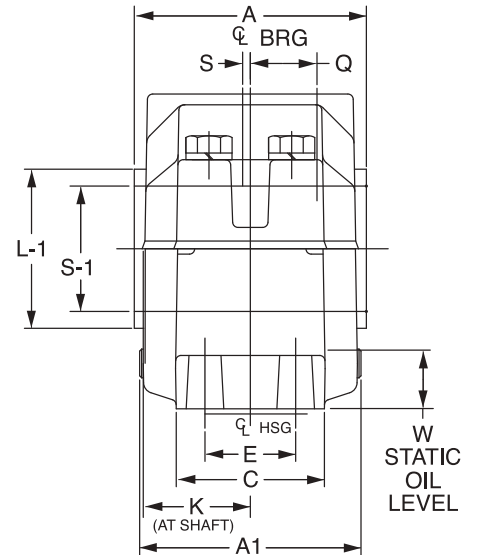
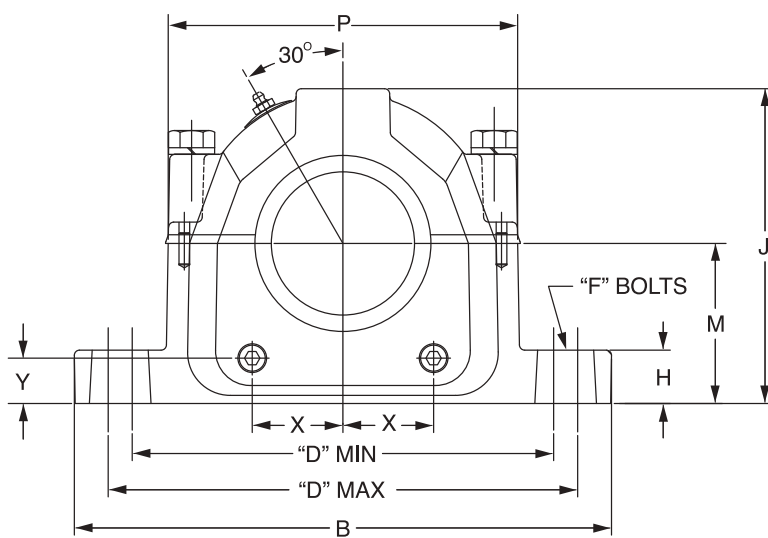
Description	Spherical roller bearing		Fixing rings		Adapters		Sight Glasses		
	Description	Part no.	Description	Quantity	Part no.	Description	Part no.	Description	Part no.
SNX 608	22308E1K.C3	423375	SR 90X4	2	747107	H 2308	046710	SG 608	740452
SNX 609	22309E1K.C3	423100	SR 100X4	2	747110	H 2309	046711	SG 609	740452
SNX 610	22310E1K.C3	423372	SR 110X4	2	747114	H 2310	046712	SG 610	740452
SNX 611	22311E1K.C3	423102	SR 120X4	2	747117	H 2311	046713	SG 611	740452
SNX 612	22312E1K.C3	423376	SR 130X5	2	747120	H 2312	046714	SG 612	740452
SNX 613	22313E1K.C3	423104	SR 140X5	2	747122	H 2313	046715	SG 613	740452
SNX 615	22315E1K.C3	423106	SR 160X5	2	747126	H 2315	719397	SG 615	740453
SNX 616	22316E1K.C3	423373	SR 170X5	2	747129	H 2316	046717	SG 616	740453
SNX 617	22317E1K.C3	423108	SR 180X5	2	747131	H 2317	046718	SG 617	740453
SNX 619	22319E1K.C3	423374	SR 200X6.5	2	747135	H 2319	046719	SG 619	740453
SNX 620	22320E1K.C3	423110	SR 215X6.5	2	747139	H 2320	046720	SG 620	740453

Plummer blocks

Dimensions

SNX 30

Plummer blocks for bearings 23000K



Plummer blocks

Dimensions

SNX 30

Dimensions in mm

Description	kg	S-1 shaft welleno	D			F bolt dia.	W static oil level							A (With seals)								
			A1	B	C		Min	Max	H	J	K	M	P	Q	X	Y	LD	Felt	End cover	VR	L1	
SNX 3024	81,0	110	167	390	110	295	333	M24	40	220	80	112	248	38.0	37	66.5	30.0	160	160	160	175	113
SNX 3026	105,0	115	174	419	121	324	364	M24	45	239	84	125	269	49.0	42	73.0	33.8	168	168	168	179	118
SNX 3028	121,0	125	191	419	120	337	368	M24	45	267	93	140	286	50.5	52	81.0	42.0	185	185	185	199	139
SNX 3030	161,0	135	197	445	130	374	387	M24	50	290	95	150	315	54.0	56	84.1	39.0	191	191	191	204	149
SNX 3032	161,0	140	197	445	130	374	387	M24	50	290	95	150	315	58.0	54	84.1	39.0	191	191	191	204	154
SNX 3034	162,0	150	226	530	159	426	464	M30	60	317	110	160	364	62.5	50	91.3	33.7	220	220	220	234	164
SNX 3036	235,0	160	241	550	159	457	483	M30	60	338	118	170	379	67.0	52	102.4	34.0	235	235	235	252	176
SNX 3038	235,0	170	241	550	159	457	483	M30	60	338	118	170	379	68.5	48	102.4	34.0	235	235	235	252	186

Housing	LD Seal	FS Seal	VR Seal	End Cover					
Description	Part no.	Description	Part no.	Description	Part no.				
SNX 3024	747042	LD 110	725342	10X12X200	713596	VS0110	738157	DK 110	708966
SNX 3026	747043	LD 115	725343	10X12X210	713603	VS0115	738158	DK 115	708970
SNX 3028	747044	LD 125	725344	10X12X230	713613	VS0125	738160	DK 125	708976
SNX 3030	747045	LD 135	725345	10X12X245	713622	VS0135	738162	DK 135	708983
SNX 3032	747046	LD 140	725346	10X12X265	713634	VS0140	738163	DK 140	708989
SNX 3034	747047			10X12X280	713641	VS0150	738165	DK 165	740383
SNX 3036	747048			10X12X300	713647	VS0160	738167	DK 175	740384
SNX 3038	747049			10X12X300	713647	VS0170	738169		

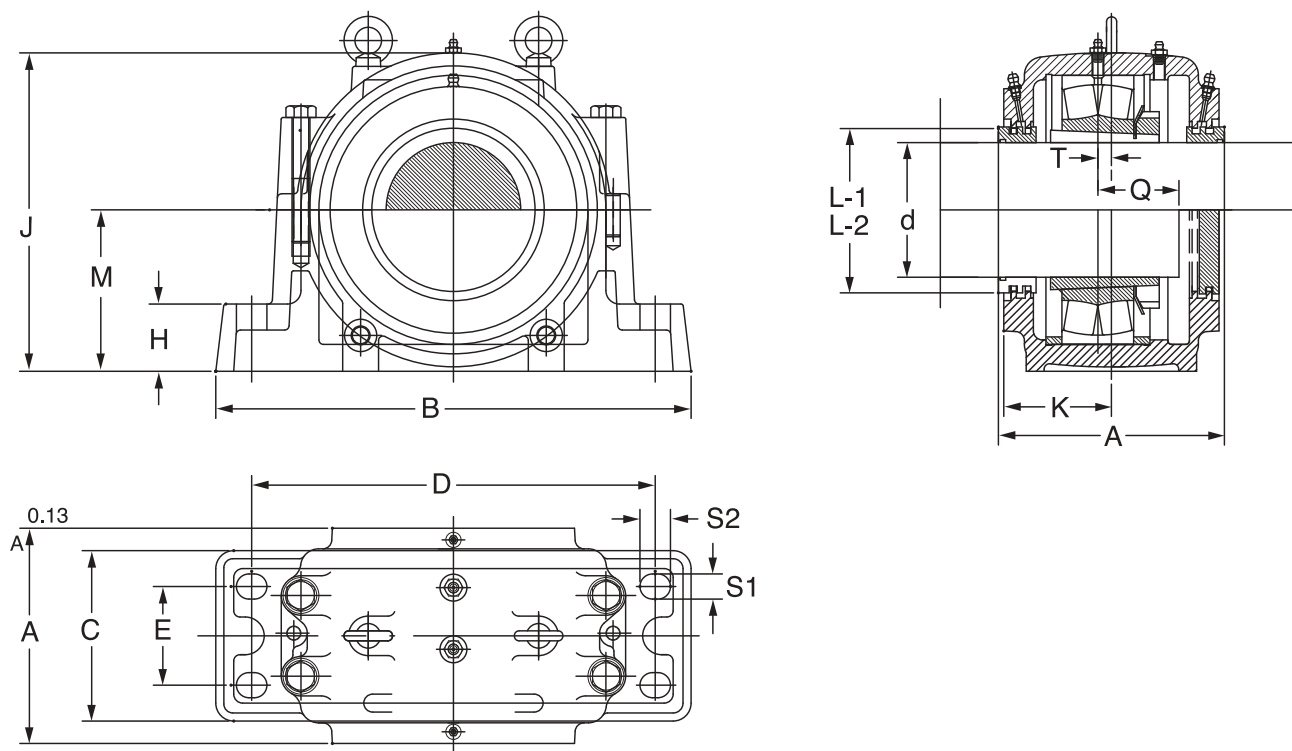
Description	Spherical roller bearing		Fixing rings			Adapters	
	Description	Part no.	Description	Quantity	Part no.	Description	Part no.
SNX 3024	23024EASK.M.C3	703619	SR 180X5	2	747131	H 3024	719419
SNX 3026	23026K.C3	703628	SR 200X10	1	747136	H 3026	719420
SNX 3028	23028EASK.M	703644	SR 210X10	1	747138	H 3028	719421
SNX 3030	23030EASK.M.C3	703656	SR 225X10	1	747142	H 3030	719422
SNX 3032	23032K.C3	703661	SR 240X10	1	747145	H 3032	719423
SNX 3034	23034K.C3	703670	SR 260X10	1	747148	H 3034	719425
SNX 3036	23036K.C3	703679	SR 280X10	1	747150	H 3036	053088
SNX 3038	23038EASK.M.C3	703689	SR 290X10	1	747151	H 3038	719429

Plummer blocks

Dimensions

SDX 3000

Plummer blocks for bearings 23000K



Plummer blocks

Dimensions

SDX 3000

Dimensions in mm

Description	kg	d	A	B	C	H	D	E	J	M	K	S Bolt Size	S1	S2	Q ★	T	A (With Seals)				
																	End Cover DK	TS Seal TT	TT Seal TT	L1 ◆ TS	L2 ◆ TT
SDX 3040	120	180	260	560	210	80	480	120	375	190	130	24	28	34	73	10	260	284	289	TS TT	216
SDX 3044	135	200	280	610	230	85	510	130	410	210	140	30	35	42	85	10	280	304	309	235	250
SDX 3048	180	220	290	640	240	90	540	140	435	220	145	30	35	42	86	12	290	314	319	255	270
SDX 3052	215	240	310	700	260	95	600	150	475	240	155	30	35	42	97	12	310	334	339	275	290
SDX 3056	250	260	320	770	280	100	650	160	515	260	160	36	42	50	102	13	320	344	349	295	310
SDX 3060	300	280	320	790	280	105	670	160	550	280	160	36	42	50	112	16	320	344	349	315	330
SDX 3064	330	300	350	830	310	110	710	190	590	300	175	36	42	50	116	22	350	374	379	335	350
SDX 3068	420	320	370	880	330	115	750	200	630	320	185	36	42	50	123.5	23	370	394	399	355	370

Description	Housing		Labyrinth Seal		Triple-Tect Seal		End Cover	
	Description	Part no.	Description	Part no.	Description	Part no.	Description	Part no.
SDX 3040	SDX 3040	747602	TS-23040	747666	TT-23040	747706	EC-SDX3040	747748
SDX 3044	SDX 3140/3044	747604	TS-23044	747667	TT-23044	747707	EC-SDX3140/3144/3044	747750
SDX 3048	SDX 3048	747605	TS-23048	747668	TT-23048	747708	EC-SDX3048	747751
SDX 3052	SDX 3148/3052	747607	TS-23052	747669	TT-23052	747709	EC-SDX3148/3152/3052	747753
SDX 3056	SDX 3056	747608	TS-23056	747670	TT-23056	747710	EC-SDX3056	747754
SDX 3060	SDX 3156/3060	747610	TS-23060	747671	TT-23060	747711	EC-SDX3156/3160/3060	747756
SDX 3064	SDX 3064	747611	TS-23064	747672	TT-23064	747712	EC-SDX3064	747757
SDX 3068	SDX 3068	747613	TS-23068	747673	TT-23068	747713	EC-SDX3068	747759

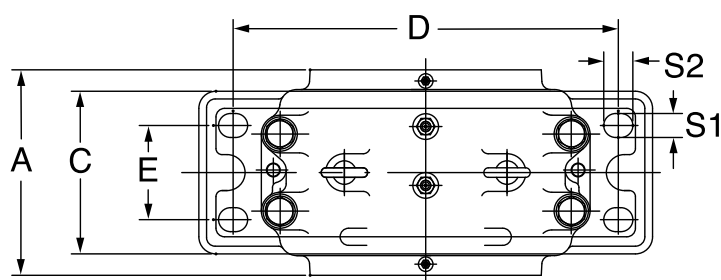
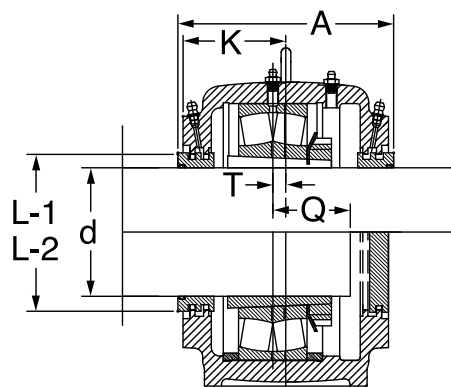
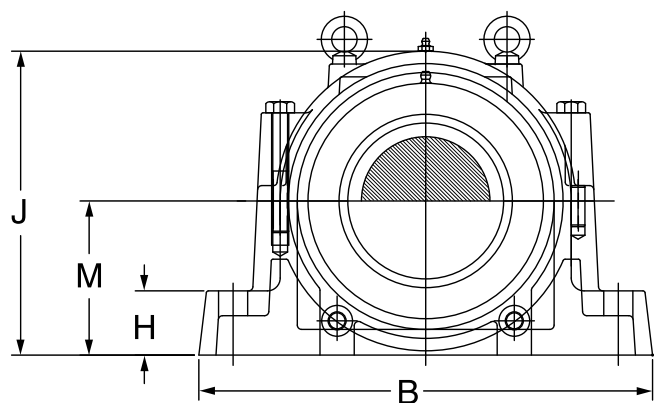
Description	Spherical roller bearing		Fixing rings			Adapters	
	Description	Part no.	Description	Quantity	Part no.	Description	Part no.
SDX 3040	23040EASK.M.C3	703694	SR 310x20	2	747155	H 3040	719432
SDX 3044	23044K.MB.C3	703711	SR 340x21	2	747159	H 3044	719434
SDX 3048	23048K.MB.C3	422031	SR 360x24	2	747161	H 3048	719437
SDX 3052	23052K.C3	703725	SR 400x22	2	747166	H 3052	719441
SDX 3056	23056K.M.C3	422030	SR 420x30	2	747167	H 3056	719443
SDX 3060	23060K.C3	703738	SR 460x24	2	747171	H 3060	719445
SDX 3064	23064K.C3	703739	SR 480x30	2	747172	H 3064	719446
SDX 3068	23068K.C3	421282	SR 520x32	2	747174	H 3068	719448

Plummer blocks

Dimensions

SDX 3100

Plummer blocks for bearings 23100K



Plummer blocks

Dimensions

SDX 3100

Dimensions in mm

Description	kg	d	A	B	C	H	D	E	J	M	K	S Bolt Size	S1	S2	Q ★	T	A (With Seals)				
																	End Cover DK	TS Seal TS	TT Seal TT	L1 ◆ TS	L2 ◆ TT
SDX 3134	65	150	230	510	180	70	430	100	335	170	115	24	28	34	73	14	230	254	259	185	186
SDX 3136	75	160	240	530	190	75	450	110	355	180	120	24	28	34	78	15	240	264	269	195	196
SDX 3138	95	170	260	560	210	80	480	120	375	190	130	24	28	34	83	10	260	284	289	205	206
SDX 3140	120	180	280	610	230	85	510	130	410	210	140	30	35	42	88	10	280	304	309	235	250
SDX 3144	135	200	290	640	240	90	540	140	435	220	145	30	35	42	95	12	290	314	319	235	250
SDX 3148	180	220	310	700	260	95	600	150	475	240	155	30	35	42	101	12	310	334	339	275	290
SDX 3152	215	240	320	770	280	100	650	160	515	260	160	36	42	50	111	13	320	344	349	275	290
SDX 3156	250	260	320	790	280	105	670	160	550	280	160	36	42	50	114	16	320	344	349	315	330
SDX 3160	300	280	350	830	310	110	710	190	590	300	175	36	42	50	120	22	350	374	379	315	330
SDX 3164	330	300	370	880	330	115	750	200	630	320	185	36	42	50	130	23	370	394	399	375	390

Description	Housing		Labyrinth Seal		Triple-Tect Seal		End Cover	
	Description	Part no.	Description	Part no.	Description	Part no.	Description	Part no.
SDX 3134	SDX 3134	747600	TS-23134	747681	TT-23134	747721	EC-SDX3134	747746
SDX 3136	SDX 3136	747601	TS-23136	747682	TT-23136	747722	EC-SDX3136	747747
SDX 3138	SDX 3138	747603	TS-23138	747683	TT-23138	747723	EC-SDX3138	747749
SDX 3140	SDX 3140 / 3044	747604	TS-23140	747684	TT-23140	747724	EC-SDX3140/3144/3044	747750
SDX 3144	SDX 3144	747606	TS-23044	747667	TT-23044	747707	EC-SDX3140/3144/3044	747750
SDX 3148	SDX 3148	747607	TS-23148	747686	TT-23148	747726	EC-SDX3148/3152/3052	747753
SDX 3152	SDX 3152	747609	TS-23052	747669	TT-23052	747709	EC-SDX3148/3152/3052	747753
SDX 3156	SDX 3156 / 3060	747610	TS-23156	747688	TT-23156	747728	EC-SDX3156/3160/3060	747756
SDX 3160	SDX 3160	747612	TS-23060	747671	TT-23060	747711	EC-SDX3156/3160/3060	747756
SDX 3164	SDX 3164	747614	TS-23164	747690	TT-23164	747730	EC-SDX3164	747760

Description	Spherical roller bearing		Fixing rings			Adapters	
	Description	Part no.	Description	Quantity	Part no.	Description	Part no.
SDX 3134	23134K.M.C3	703831	SR 280x10	2	747150	H 3134	046233
SDX 3136	23136ESKTPVPB.C3	703840	SR 300x10	2	747154	H 3136	046234
SDX 3138	23138K.C3	703850	SR 320x10	2	747156	H 3138	046235
SDX 3140	23140BK.MB.C3	421403	SR 340x10	2	747157	H 3140	046236
SDX 3144	23144BK.MB.C3	703866	SR 370x10	2	747162	H 3144	046237
SDX 3148	23148BK.MB.C3	703873	SR 400x10	2	747164	H 3148	719480
SDX 3152	23152K.MB.C3	703890	SR 440x10	2	747168	H 3152	719485
SDX 3156	23156BK.MB.C3	703892	SR 460x10	2	747170	H 3156	719489
SDX 3160	23160K.C3	703903	SR 500x10	2	747173	H 3160	719491
SDX 3164	23164K.MB.C3	421287	SR 540x10	2	747175	H 3164	719492

Plummer blocks

Notes

Sleeve bearings

Contents

7-3	Features/Benefits
7-4	Specification/How To Order
7-5	Nomenclature
Selection	
7-6	Solidlube® - Inch
7-8	Solidlube® - Metric
Dimensions	
7-10	Solidlube®
7-34	Shaft collars
INDEX-1	Part number index
INDEX-59	Key word index

Sleeve bearings

Sleeve bearings

Features/Benefits

Sleeve bearings

Solidlube



Self-lubricating, statically self-aligning bearings for extreme industrial applications

- Good in temperature extremes and inaccessible locations.
- Will function effectively in a vacuum.
- Ideal where bearings are subject to dry cycles or where lube systems would be too costly.
- Usable in many corrosive (chemical) medias.
- Will operate in submersible applications of some low viscosity liquids.
- Recommended for slow speeds and limited shaft movement applications.

Sleeve Bearings

Specification/How to order

Sleeve bearings

How to order sleeve bearings

There are two ways to specify Dodge Sleeve bearings. Most of the product offering have part numbers with listings shown throughout this catalog. Use of part numbers ensures accurate order processing.

When part numbers are not shown, the product may be specified by description or part name. This method is used when ordering units that include modifications or options. To order by description, use the nomenclature key shown on page B17-5 and add any special instructions to the end of the description for options not covered by the nomenclature.

Solidlube

Statically self-aligning, non-galling, solid-film lubricating for temperature extremes.

- 700 series: -40° to 700°F
- 1000 series: -200° to -40°F; 250°F to 1,000°F
- 800 series: -40° to 800°F

Also suitable for submerged and limited movement applications.

Babbitted

Grease lubricated for moderate speeds and loads, ambient temperature to 130°F, babbitt accurately bored to insure even load distribution for conveyor shafts, heavy gear, and chain drives use.

Bronze-bushed

Grease lubricated for moderate speeds, ambient temperature to 300°F and heavy loads or shock loads make the advantage of a precision replaceable bronze bushing desirable. Other bushing material is available on a special order basis, such as bronze with graphite plugs, or phenolic resin on nylon.

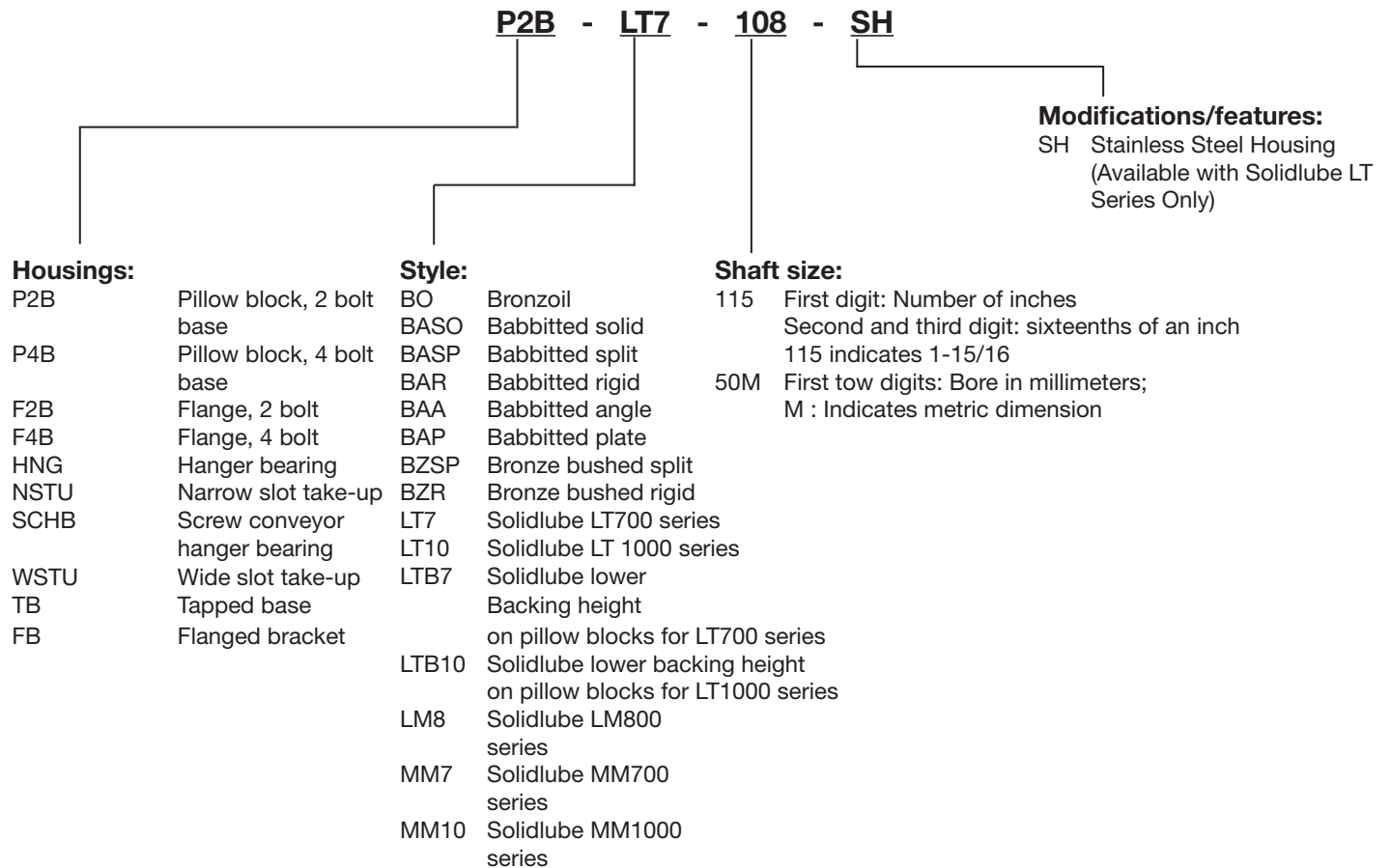
Bronzoil

Economical, statically self-aligning, and self-lubricating pillow blocks and four-bolt flange units for fans, light machinery, and other general use; ambient temperature to 180°F.

Sleeve bearings

Nomenclature

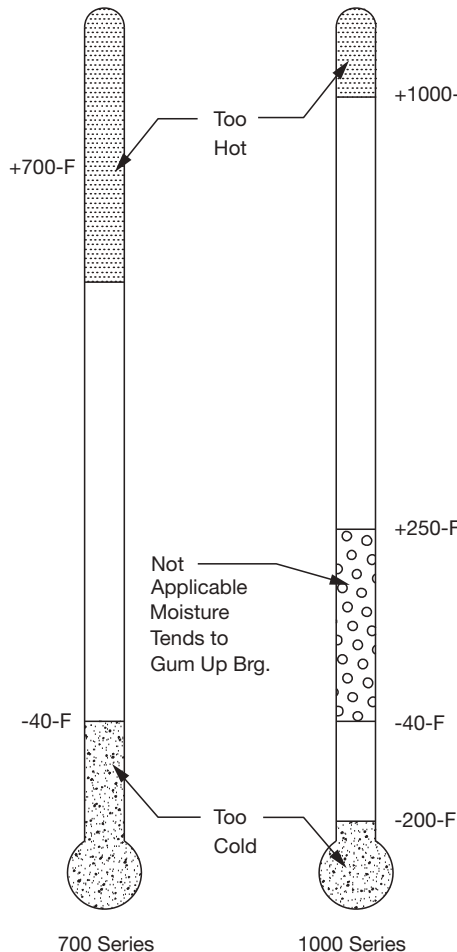
Sleeve bearing nomenclature



Sleeve bearings

Selection

Sleeve bearings - Solidlube - Inch



SOLIDLUBE Bearing Operating Temperature

Bearing size

Select a bearing from tables for normal loads or loads in limited shaft movement applications having a radial load equal to or greater than the actual load. This simple method is all that is required for the majority of general machine applications using commercial steel shafting and operating in a dry atmosphere. (For more favorable conditions, ratings may be increased somewhat; consult factory). Shaft collars may be used for slight amounts of thrust. Generally the rule of 10% of the radial load applies. Dirty environments will reduce bearing life and should be avoided. Losses due to friction can be as high as 30% depending on speed, lead, temperature and shaft material.

Shafting

Commercial steel shafting is good in applications where temperatures do not exceed 700°F. However, for extended bearing life, at any temperature, the shaft should be hardened to 35 Rockwell .C. or better. Shaft finish should be 10 to 20 micro-inches. A finish rougher than 20 μ will lessen bearing life. A finish smoother than 10 will not allow the optimum lubricant film to develop. Shaft tolerance should be +.000/-.002 for commercial steel shafting. If using other shaft materials, consult Dodge for the shaft tolerance and thermal expansion.

When commercial shafting is exposed to a corrosive media, it will oxidize. A rusty shaft will grow in the bearing, thus eliminating clearances. In this case stainless steel shafting may be used and/or provide for regularly scheduled movement of shaft. In elevated temperatures stainless grades such as 17-4, 15-5, or 13-8 are hardenable. Shafts can be spray coated with ceramic or hard chrome. This is good up to about 800°F. Check with your supplier, since these coatings can flake off when the coefficient of thermal expansion of the base material differs greatly from that of the coating.

High grade specialty shafting may be used in excess of 1000°F. It may be less expensive to use sleeves of this material on more economical shafting.

Noise or high pitched squeal

Carbon-graphite bushings can develop a high frequency vibration in resonance with the operating system to cause noise. Dampening or change of resonant frequency of the shaft is required to eliminate noise.

Specials

Solidlube bearings or bearings made from alternate bushing materials such as polymers, fibers, bronze, etc. for unusual operating and load conditions are available on a specially engineered basis by supplying the following:

- Shaft size, material and rpm.
- Normal load, shock load and frequency.
- Direction of load.
- Ambient temperature and atmospheric conditions (water, dirt, corrosive, etc.)
- Type of bearing: pillow block, flange bearing, etc.
- Housing material desired.
- Quantity.

End covers

Ball bearing end covers are available (4-102).

Note: Solidlube bearings are not designed for rotating housing applications

Sleeve bearings

Selection

Sleeve bearings - Solidlube - inch Solidlube 700, 1000 and 800 series

Solidlube bearing 700 and 1000 series radial load ratings in pounds (Normal loads)

Shaft size	Radial load ratings in pounds at various revolutions per minute											
	Up to 10	25	50	75	100	150	200	250	300	350	400	450
3/4	560	560	560	560	560	380	285	230	190	165	145	125
7/8, 15/16, 1	750	750	750	750	610	405	315	245	205	175	155	130
1-1/8, 1-3/16	1050	1050	1050	908	680	450	340	270	225	190	170	150
1-1/4, 1-3/8, 1-7/16, 1-1/2	1610	1610	1610	1140	855	570	430	340	280	245	215	190
1-11/16, 1-3/4	1980	1980	1790	1190	895	595	440	390	295	255	220	200
1-15/16, 2	2360	2360	1860	1240	930	620	465	370	310	265	235	205
2-3/16	2870	2870	2010	1340	1000	670	500	400	335	285	250	225
2-7/16, 2-1/2	3760	3760	2360	1580	1180	795	590	475	390	340	295	265
2-15/16, 3	5970	5970	3120	2070	1560	1040	780	625	515	445	390	345
3-7/16, 3-1/2	9100	8010	4000	2670	2000	1340	1000	800	670	570	500	445
3-15/16, 4	11800	9160	4590	3060	2290	1530	1150	930	765	665	575	510
4-7/16, 4-1/2	15200	10300	5150	3440	2580	1720	1290	1030	860	740	645	...
4-15/16, 5	18400	11400	5710	3810	2860	1910	1430	1140	955	815

Shaft size	500	550	600	700	800	900	1000	1100	1300	1600	1900	2200	2500
3/4	110	105	96	82	72	64	57	52	44	35	30	26	22
7/8, 15/16, 1	120	110	105	90	80	70	60	54	47	38	32		
1-1/8, 1-3/16	135	125	115	97	85	75	68	62	42	42			
1-1/4, 1-3/8, 1-7/16, 1-1/2	170	155	145	120	105	95	86	78	66				
1-11/16, 1-3/4	180	165	150	130	110	99	89	81					
1-15/16, 2	185	170	155	135	115	105							
2-3/16	200	180	165	145	125								
2-7/16, 2-1/2	235	215	195	170									
2-15/16, 3	345	315	290										
3-7/16, 3-1/2	400	365											

Note: The above ratings apply to all base loaded pillow blocks, all cylindrical units and flange type bearings (up to 700°F). For flange bearings operating at temperatures above 700°F, cap and side loading of pillow blocks consult Application Engineering. For operations speeds below heavy line, use LT1000 and/or hardened shaft.

Solidlube bearing corrosion (Chemical) resistance

Type of chemical	Chemical	Bearing series	
		LM800 700	1000
Acids and acidic solutions	Mineral (Non-oxidizing)	★	★
	Mineral (Oxidizing)	■	★
	Inorganic Salts (Acid forming)	★	★
	Organic (Strong)	★	★
	Organic (Weak) pH 3-7	★	★
	Organic Salts (Acid forming)	★	★
Alkalis (Bases & alkaline solutions)	Mineral (Non-oxidizing)	★	★
	Mineral (Oxidizing)	▲	★
	Inorganic Salts (Base forming)	★	★
	Organic (Strong)	★	★
	Weak organic bases pH 7-11	★	★
Gases	Acid	★	★
	Alkaline (base)	★	★
	Anhydrous (dew point below -30°F)	▲	▲
	Cryogenic (Liquefied)	■	▲
	Inert	★	★
	Oxidizing	■	▲
	Reducing	★	★
Salts	Acid salts	▲	▲
	Alkaline sales	▲	▲
	Metals	★	★
	Neutral salts	■	▲
	Neutral salt solutions	★	★
Solvents	Aliphatic	★	★
	Aromatic	★	★
	Chlorinated, fluorinated	★	★
	Oxygenated, sulfides	★	★

★ Good. not known interaction; compatible

▲ Questionable (depends on conditions)

■ Not recommended

Note: For compatibility or specific chemical, contact Application Engineering

700 and 1000 series Solidlube bearing radial load rating in pounds (Limited shaft movement applications) ▲

Shaft size	Max. radial load		Max. thrust
	Base loaded	Cap or Side loading	
3/4	1100	775	56
7/8, 15/16, 1	1500	795	75
1-1/8, 1-3/16	2100	820	105
1-1/4, 1-3/8, 1-7/16, 1-1/2	3200	1710	161
1-11/16, 1-3/4	4000	1905	198
1-15/16, 2	4700	1920	236
2-3/16	5700	1900	287
2-7/16, 2-1/2	7500	2360	376
2-15/16, 3	12,000	4151	597

▲ Use only when shaft movement is limited to approx. ±90°. Movement is infrequent as opposed to continuous and maximum bearing temperature is 700°F.

LM800

Radial Load Ratings

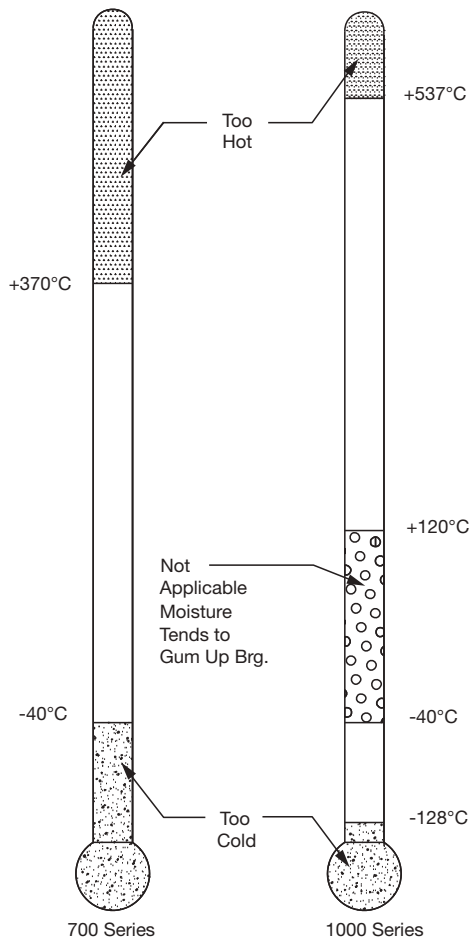
Bearing size	Max. radial base load	Max. radial cap load
3/4	560	560
1	750	600
1-1/4	1610	600
1-1/2	1610	600

Note: These load ratings are to be used only when shaft rotation is less than 10 RPM and temperature does not exceed 800° F. Maximum allowable thrust load is 50 lb

Sleeve bearings

Selection

Sleeve bearings - Solidlube - Metric



SOLIDLUBE Bearing Operating Temperature

Bearing size

Select a bearing from tables for normal loads or loads in limited shaft movement applications having a radial load equal to or greater than the actual load. This simple method is all that is required for the majority of general machine applications using commercial steel shafting and operating in a dry atmosphere. (For more favorable conditions, ratings may be increased somewhat; consult factory). Shaft collars may be used for slight amounts of thrust. Generally the rule of 10% of the radial load applies. Dirty environments will reduce bearing life and should be avoided. Losses due to friction can be as high as 30% depending on speed, load, temperature and shaft material.

Shafting

Commercial steel shafting is good in applications where temperatures do not exceed 370°C. However, for extended bearing life, at any temperature, the shaft should be hardened to 35 Rockwell .C. or better. Shaft finish should be .25 to .50 micro-meters. A finish rougher than .50 will lessen bearing life. A finish smoother than R_a . 25 micro-meters will not allow the optimum lubricant film to develop. Shaft tolerance should be $+.000/-0.051$ millimeters for commercial steel shafting. If using other shaft materials, consult Dodge for the shaft tolerance and thermal expansion.

When commercial shafting is exposed to a corrosive media, it will oxidize. A rusty shaft will grow in the bearing, thus eliminating clearances. In this case stainless steel shafting may be used and/or provide for regularly scheduled movement of shaft. In elevated temperatures stainless grades such as 17-4, 15-5, or 13-8 are hardenable. Shafts can be spray coated with ceramic or hard chrome. This is good up to about 425°C. Check with your supplier, since these coatings can flake off when the coefficient of thermal expansion of the base material differs greatly from that of the coating.

High grade specialty shafting may be used in excess of 537°C. It may be less expensive to use sleeves of this material on more economical shafting.

Noise or High Pitched Squeal

Carbon-graphite bushings can develop a high frequency vibration in resonance with the operating system to cause noise. Dampening or change of resonant frequency of the shaft is required to eliminate noise.

Specials

Solidlube bearings or bearings made from alternate bushing materials such as polymers, fibers, bronze, etc. for unusual operating and load conditions are available on a specially engineered basis by supplying the following:

- Shaft size, material and rpm.
- Normal load, shock load and frequency.
- Direction of load.
- Ambient temperature and atmospheric conditions (water, dirt, corrosive, etc.)
- Type of bearing: pillow block, flange bearing, etc.
- Housing material desired.
- Quantity.

End Closures

Ball bearing end closures are available (Page 4-102).

Note: Solidlube bearings are not designed for rotating housing applications

Sleeve bearings

Selection

Sleeve bearings - Solidlube - metric Solidlube bearing 700 and 1000 series

Solidlube bearing 700 and 1000 series radial load ratings in newtons (N) normal loads

Series	Shaft size	Radial load ratings in newtons at various revolutions per minute											
		10	25	50	75	100	150	200	250	300	350	400	450
204	20mm	2490	2490	2490	2490	2490	1690	1270	1020	840	730	640	560
205	25mm	3340	3340	3340	3340	2710	1800	1400	1090	910	780	690	580
206	30mm	4670	4670	4670	4040	3020	2000	1510	1200	1000	840	760	670
207	35mm	7160	7160	7160	5070	3800	2540	1910	1510	1240	1090	960	840
209	40mm, 45mm	8800	8800	7960	5290	3980	2650	1960	1740	1310	1130	980	890
210	50mm	10500	10500	8270	5520	4140	2760	2070	1650	1380	1180	1040	910
212	60mm	16700	16700	10500	7030	5250	3540	2620	2110	1730	1510	1310	1180
215	70mm, 75mm	26500	26500	13900	9200	6940	4630	3470	2780	2290	1980	1740	1540

Series	Shaft size	Radial load ratings in newtons at various revolutions per minute												
		500	550	600	700	800	900	1000	1100	1300	1600	1900	2200	2500
204	20mm	490	470	430	360	320	200	250	230	200	160	130	120	100
205	25mm	530	490	470	400	360	310	270	240	210	170	140
206	30mm	600	560	510	430	380	330	300	280	190	190
207	35mm	760	690	640	530	470	420	380	350	300
209	40mm, 45mm	800	730	670	580	490	440	400	360
210	50mm	820	760	690	600	510	470
212	60mm	1040	960	870	760
215	70mm, 75mm	1530	1400	1290

Note: The above ratings apply to all base loaded pillow blocks, all cylindrical units and flange type bearings (up to 370°C). For flange bearings operating at temperatures above 370°C, cap and side loading of pillow blocks consult applications engineering. For operation speeds below heavy line, use LT1000 and/or hardened shaft.

Solidlube bearings

700 series and 1000 series

Radial load ratings in newtons (N)

(Limited shaft movement applications) ▲

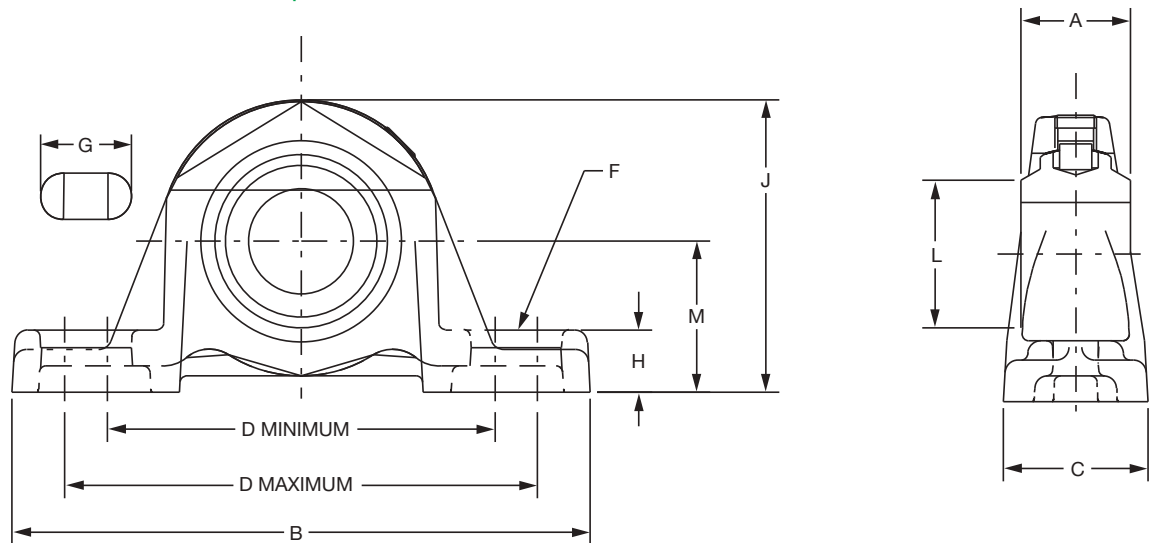
Series	Shaft size	Max. radial load		Max. thrust load
		Base loaded	Cap or side loading	
204	20mm	4890	3450	250
205	25mm	6670	3540	330
206	30mm	9340	3650	470
207	35mm	14200	7600	720
209	40mm, 45mm	17800	8470	880
210	50mm	20900	8540	1050
212	60mm	33400	10500	1670
215	70mm, 75mm	53400	18500	2660

▲ Use only when shaft movement is limited to approx. ± 90°. Movement is infrequent as opposed to continuous and maximum bearing temperature is 370°C.

Sleeve bearings

Selection/Dimensions

Sleeve bearings - Solidlube
3/4. thru 3. Solidlube LT pillow blocks



Series	Shaft size	700 series			1000 series			Used on frame
		Part no.	Description	Wt.	Part no.	Description	Wt.	
204	3/4	033667	P2B-LT7-012	1.70	033977	P2B-LT10-012	1.70	LD-10
	20mm	034225	P2B-LT7-20M	0.77	034234	P2B-LT10-20M	0.77	LD-10
205	7/8	033668	P2B-LT7-014	1.60	033978	P2B-LT10-014	1.60	LD-10
	15/16	033669	P2B-LT7-015	1.50	033979	P2B-LT10-015	1.50	LD-10
	1	033670	P2B-LT7-100	1.40	033980	P2B-LT10-100	1.40	LD-10
	25mm	034226	P2B-LT7-25M	0.64	034235	P2B-LT10-25M	0.64	LD-10
206	1-1/8	033672	P2B-LT7-102	2.80	033982	P2B-LT10-102	2.80	LD-20
	1-3/16	033673	P2B-LT7-103	2.70	033983	P2B-LT10-103	2.70	LD-20
	30mm	034227	P2B-LT7-30M	1.22	034236	P2B-LT10-30M	1.22	LD-20
207	1-1/4	033674	P2B-LT7-104	4.20	033984	P2B-LT10-104	4.20	LD-20
	1-3/8	033676	P2B-LT7-106	3.90	033986	P2B-LT10-106	3.90	LD-20
	1-7/16	033677	P2B-LT7-107	3.80	033987	P2B-LT10-107	3.80	LD-20
	1-1/2	033678	P2B-LT7-108	3.70	033988	P2B-LT10-108	3.70	LD-20
	35mm	034228	P2B-LT7-35M	1.77	034237	P2B-LT10-35M	1.77	LD-20
209	1-11/16	033680	P2B-LT7-111	6.00	033990	P2B-LT10-111	6.00	LD-20
	1-3/4	033681	P2B-LT7-112	5.80	033991	P2B-LT10-112	5.80	LD-20
	40mm	034229	P2B-LT7-40M	2.72	034238	P2B-LT10-40M	2.72	LD-20
	45mm	034230	P2B-LT7-45M	2.63	034239	P2B-LT10-45M	2.63	LD-20
210	1-15/16	033682	P2B-LT7-115	6.80	033992	P2B-LT10-115	6.80	LD-30
	2	033683	P2B-LT7-200	6.60	033993	P2B-LT10-200	6.60	LD-30
	50mm	034231	P2B-LT7-50M	3.08	034240	P2B-LT10-50M	3.08	LD-30
211	2-3/16	033684	P2B-LT7-203	8.00	033994	P2B-LT10-203	8.00	LD-40
212	2-7/16	033686	P2B-LT7-207	10.10	033996	P2B-LT10-207	10.10	LD-40
	2-1/2	033687	P2B-LT7-208	9.80	033997	P2B-LT10-208	9.80	LD-40
	60mm	034221	P2B-LT7-60M	4.58	034241	P2B-LT10-60M	4.58	LD-40
215	2-15/16	033688	P2B-LT7-215	21.20	033998	P2B-LT10-215	21.20	LD-45
	3	033077	P2B-LT7-300	20.90	033974	P2B-LT10-300	20.90	LD-45
	70mm	034232	P2B-LT7-70M	9.98	034242	P2B-LT10-70M	9.98	LD-45
	75mm	034233	P2B-LT7-75M	9.62	034243	P2B-LT10-75M	9.62	LD-45

Sleeve bearings

Selection/Dimensions

Sleeve bearings - Solidlube
3/4. thru 3. Solidlube LT pillow blocks

Series	Shaft size	A	B	C	D		F bolt dia.	G	H	J	L	M
					Min.	Max.						
204	3/4	1	5-1/4	1-11/32	3-3/8	4-3/16	3/8	27/32	17/32	2-9/16	1-3/8	1-5/16
	20mm	25.4	133.4	34.1	85.7	106.4	10	21.4	13.5	65.1	34.9	33.3
205	7/8	1-1/16	5-1/2	1-13/32	3-11/16	4-1/2	3/8	27/32	19/32	2-25/32	1-9/16	1-7/16
	15/16	1-1/16	5-1/2	1-13/32	3-11/16	4-1/2	3/8	27/32	19/32	2-25/32	1-9/16	1-7/16
	1	1-1/16	5-1/2	1-13/32	3-11/16	4-1/2	3/8	27/32	19/32	2-25/32	1-9/16	1-7/16
	25mm	27.0	139.7	35.7	93.7	114.3	10	21.4	15.1	70.6	39.7	36.5
206	1-1/8	1-3/16	6-1/4	1-3/4	4-1/4	5	1/2	15/16	11/16	3-1/4	1-13/16	1-5/8
	1-3/16	1-3/16	6-1/4	1-3/4	4-1/4	5	1/2	15/16	11/16	3-1/4	1-13/16	1-5/8
	30mm	30.2	158.8	44.5	108.0	127.0	12	23.8	17.5	82.6	46.0	41.3
207	1-1/4	1-5/16	6-1/2	1-3/4	4-11/16	5-7/16	1/2	15/16	23/32	3-3/4	2-1/8	1-7/8
	1-3/8	1-5/16	6-1/2	1-3/4	4-11/16	5-7/16	1/2	15/16	23/32	3-3/4	2-1/8	1-7/8
	1-7/16	1-5/16	6-1/2	1-3/4	4-11/16	5-7/16	1/2	15/16	23/32	3-3/4	2-1/8	1-7/8
	1-1/2	1-5/16	6-1/2	1-3/4	4-11/16	5-7/16	1/2	15/16	23/32	3-3/4	2-1/8	1-7/8
	35mm	33.3	165.1	44.5	119.1	138.1	12	23.8	18.3	95.3	54.0	47.6
209	1-11/16	1-9/16	7-7/16	2	5-1/2	6-3/16	1/2	29/32	3/4	4-9/32	2-9/16	2-1/8
	1-3/4	1-9/16	7-7/16	2	5-1/2	6-3/16	1/2	29/32	3/4	4-9/32	2-9/16	2-1/8
	40mm	39.7	188.9	50.8	139.7	157.2	12	23.0	19.1	108.7	65.1	54.0
	45mm	39.7	188.9	50.8	139.7	157.2	12	23.0	19.1	108.7	65.1	54.0
210	1-15/16	1-5/8	8-1/8	2-1/4	6	6-11/16	5/8	1-1/32	3/4	4-17/32	2-13/16	2-1/4
	2	1-5/8	8-1/8	2-1/4	6	6-11/16	5/8	1-1/32	3/4	4-17/32	2-13/16	2-1/4
211	50mm	41.3	206.4	57.1	152.4	170.0	16	26.2	19.1	115.1	71.4	57.2
	2-3/16	1-3/4	8-7/8	2-5/16	6-3/8	7-7/16	5/8	1-7/32	7/8	4-31/32	3-1/8	2-1/2
212	2-7/16	1-13/16	9-1/2	2-3/8	6-7/8	7-15/16	5/8	1-7/32	7/8	5-13/32	3-1/2	2-3/4
	2-1/2	1-13/16	9-1/2	2-3/8	6-7/8	7-15/16	5/8	1-7/32	7/8	5-13/32	3-1/2	2-3/4
	60mm	46.0	241.3	60.3	174.6	201.6	16	31.0	22.2	137.3	88.9	69.9
215	2-15/16	2-23/32	11-3/4	2-7/8	8-1/2	9-1/2	7/8	1-7/16	1	6-3/4	3-15/16	3-1/2
	3	2-23/32	11-3/4	2-7/8	8-1/2	9-1/2	7/8	1-7/16	1	6-3/4	3-15/16	3-1/2
	70mm	69.1	298.5	73.0	215.9	241.3	22	36.5	25.4	171.5	100.0	88.9
	75mm	69.1	298.5	73.0	215.9	241.3	22	36.5	25.4	171.5	100.0	88.9

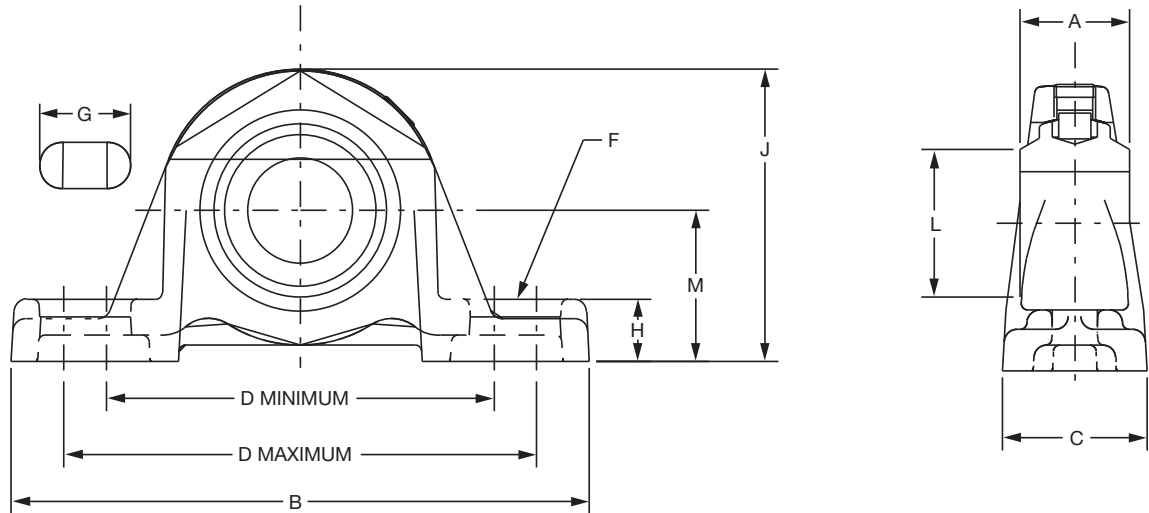
All dimensions are in millimeters unless otherwise specified

The LT and LTB pillow blocks are identical except the LTB pillow blocks have lower backing dimensions

Sleeve bearings

Selection/Dimensions

Sleeve bearings - Solidlube
3/4. thru 3. Solidlube LTB pillow blocks



Series	Shaft size	700 series			1000 series			Used on frame
		Part no.	Description	Wt.	Part no.	Description	Wt.	
204	3/4	032940	P2B-LTB7-012	1.6	032970	P2B-LTB10-012	1.6	LD-10
	20mm	034244	P2B-LTB7-20M	0.73	034252	P2B-LTB10-20M	0.73	LD-10
205	7/8	032941	P2B-LTB7-014	1.5	032971	P2B-LTB10-014	1.5	LD-10
	15/16	032942	P2B-LTB7-015	1.4	032972	P2B-LTB10-015	1.4	LD-10
	1	032943	P2B-LTB7-100	1.3	032973	P2B-LTB10-100	1.3	LD-10
	25mm	034245	P2B-LTB7-25M	0.59	034253	P2B-LTB10-25M	0.59	LD-10
206	1-1/8	032945	P2B-LTB7-102	2.7	032975	P2B-LTB10-102	2.7	LD-20
	1-3/16	032946	P2B-LTB7-103	2.6	032976	P2B-LTB10-103	2.6	LD-20
	30mm	034246	P2B-LTB7-30M	1.18	034254	P2B-LTB10-30M	1.18	LD-20
207	1-1/4	032947	P2B-LTB7-104	4	032977	P2B-LTB10-104	4	LD-20
	1-3/8	032949	P2B-LTB7-106	3.8	032979	P2B-LTB10-106	3.8	LD-20
	1-7/16	032950	P2B-LTB7-107	3.7	032980	P2B-LTB10-107	3.7	LD-20
	1-1/2	032951	P2B-LTB7-108	3.6	032981	P2B-LTB10-108	3.6	LD-20
	35mm	034247	P2B-LTB7-35M	1.72	034255	P2B-LTB10-35M	1.72	LD-20
209	1-11/16	032953	P2B-LTB7-111	5	032983	P2B-LTB10-111	5	LD-20
	1-3/4	032954	P2B-LTB7-112	4.8	032984	P2B-LTB10-112	4.8	LD-20
	40mm	034248	P2B-LTB7-40M	2.27	034256	P2B-LTB10-40M	2.27	LD-20
	45mm	034249	P2B-LTB7-45M	2.18	034257	P2B-LTB10-45M	2.18	LD-20
210	1-15/16	032955	P2B-LTB7-115	6	032985	P2B-LTB10-115	6	LD-30
	2	032956	P2B-LTB7-200	5.8	032986	P2B-LTB10-200	5.8	LD-30
211	50mm	034250	P2B-LTB7-50M	2.72	034258	P2B-LTB10-50M	2.72	LD-30
	2-3/16	032957	P2B-LTB7-203	6.5	032987	P2B-LTB10-203	6.5	LD-40
212	2-7/16	032959	P2B-LTB7-207	8.1	032989	P2B-LTB10-207	8.1	LD-40
	2-1/2	032960	P2B-LTB7-208	7.8	032990	P2B-LTB10-208	7.8	LD-40
	60mm	034251	P2B-LTB7-60M	3.67	034259	P2B-LTB10-60M	3.67	LD-40
215	2-15/16	034596	P2B-LTB7-215	18.7	034598	P2B-LTB10-215	18.7	LD-45
	3	034597	P2B-LTB7-300	18.4	034599	P2B-LTB10-300	18.4	LD-45
	70mm	LD-45
	75mm	LD-45

Sleeve bearings

Selection/Dimensions

Sleeve bearings - Solidlube
3/4. thru 3. Solidlube LTB pillow blocks

Series size	Shaft	A	B	C	D		F bolt dia.	G	H	J	L	M
					Min.	Max.						
204	3/4	1	5-1/4	1-11/32	3-3/8	4-3/16	3/8	27/32	15/32	2-1/2	1-3/8	1-1/4
	20mm	25.4	133.4	34.1	85.7	106.4	10	21.4	11.9	63.5	34.9	31.8
205	7/8	1-1/16	5-1/2	1-13/32	3-11/16	4-1/2	3/8	27/32	15/32	2-21/32	1-9/16	1-5/16
	15/16	1-1/16	5-1/2	1-13/32	3-11/16	4-1/2	3/8	27/32	15/32	2-21/32	1-9/16	1-5/16
	1	1-1/16	5-1/2	1-13/32	3-11/16	4-1/2	3/8	27/32	15/32	2-21/32	1-9/16	1-5/16
206	25mm	27.0	139.7	35.7	93.7	114.3	10	21.4	11.9	67.5	39.7	33.3
	1-1/8	1-3/16	6-1/4	1-3/4	4-1/4	5	1/2	15/16	5/8	3-3/16	1-13/16	1-9/16
	1-3/16	1-3/16	6-1/4	1-3/4	4-1/4	5	1/2	15/16	5/8	3-3/16	1-13/16	1-9/16
207	30mm	30.2	158.8	44.5	108.0	127.0	12	23.8	15.9	81.0	46.0	39.7
	1-1/4	1-5/16	6-1/2	1-3/4	4-11/16	5-7/16	1/2	15/16	21/32	3-11/16	2-1/8	1-13/16
	1-3/8	1-5/16	6-1/2	1-3/4	4-11/16	5-7/16	1/2	15/16	21/32	3-11/16	2-1/8	1-13/16
209	1-7/16	1-5/16	6-1/2	1-3/4	4-11/16	5-7/16	1/2	15/16	21/32	3-11/16	2-1/8	1-13/16
	1-1/2	1-5/16	6-1/2	1-3/4	4-11/16	5-7/16	1/2	15/16	21/32	3-11/16	2-1/8	1-13/16
	35mm	33.3	165.1	44.5	119.1	138.1	12	23.8	16.7	93.7	54.0	46.0
210	1-11/16	1-9/16	7-7/16	2	5-1/2	6-3/16	1/2	29/32	11/16	4-7/32	2-9/16	2-1/16
	1-3/4	1-9/16	7-7/16	2	5-1/2	6-3/16	1/2	29/32	11/16	4-7/32	2-9/16	2-1/16
	40mm	39.7	188.9	50.8	139.7	157.2	12	23.0	17.5	107.2	65.1	52.4
211	45mm	39.7	188.9	50.8	139.7	157.2	12	23.0	17.5	107.2	65.1	52.4
	1-15/16	1-5/8	8-1/8	2-1/4	6	6-11/16	5/8	1-1/32	11/16	4-15/32	2-13/16	2-3/16
	2	1-5/8	8-1/8	2-1/4	6	6-11/16	5/8	1-1/32	11/16	4-15/32	2-13/16	2-3/16
212	50mm	41.3	206.4	57.1	152.4	170.0	16	26.2	17.5	113.5	71.4	55.6
	2-3/16	1-3/4	8-7/8	2-5/16	6-3/8	7-7/16	5/8	1-7/32	13/16	4-29/32	3-1/8	2-7/16
	2-7/16	1-13/16	9-1/2	2-3/8	6-7/8	7-15/16	5/8	1-7/32	13/16	5-11/32	3-1/2	2-11/16
215	2-1/2	1-13/16	9-1/2	2-3/8	6-7/8	7-15/16	5/8	1-7/32	13/16	5-11/32	3-1/2	2-11/16
	60mm	46.0	241.3	60.3	174.6	201.6	16	31.0	20.6	135.7	88.9	68.3
	2-15/16	2-23/32	11-3/4	2-7/8	8-1/2	9-1/2	7/8	1-7/16	1-1/16	6-9/16	3-15/16	3-5/16
216	3	2-23/32	11-3/4	2-7/8	8-1/2	9-1/2	7/8	1-7/16	1-1/16	6-9/16	3-15/16	3-5/16
	70mm	69.1	298.5	73.0	215.9	241.3	22	36.5	100.0
	75mm	69.1	298.5	73.0	215.9	241.3	22	36.5	100.0

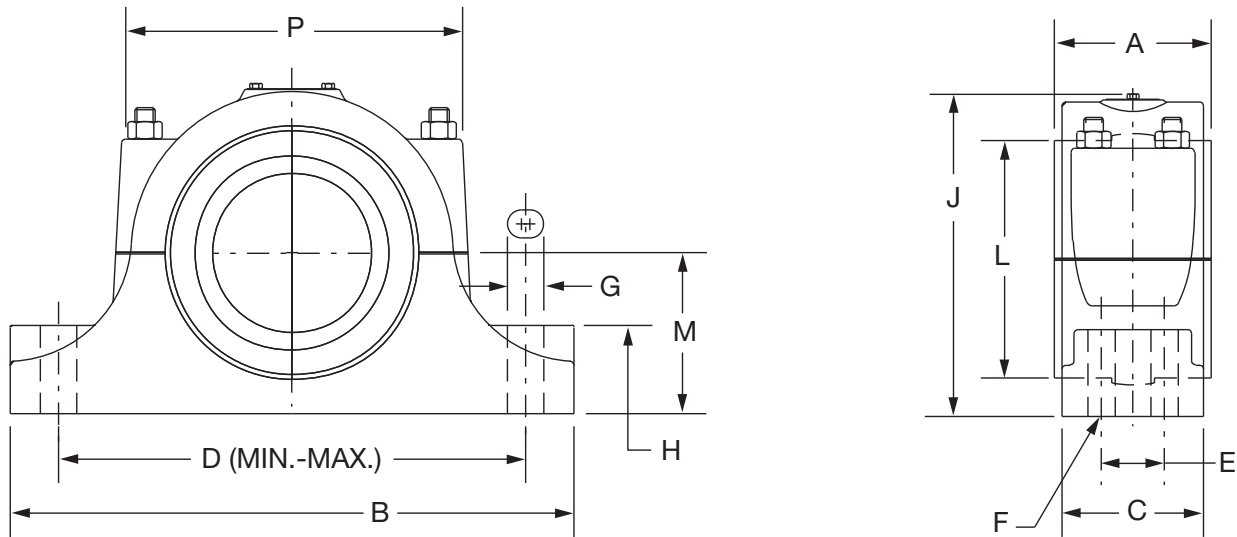
All dimensions are in millimeters unless otherwise specified

The LT and LTB pillow blocks are identical except the LTB pillow blocks have lower backing dimensions.

Sleeve bearings

Selection/Dimensions

Sleeve bearings - Solidlube
3-7/16. thru 5. Solidlube MM pillow blocks



Shaft size	700 series		1000 series		Wt.	Used on frame	A	B	C
	Part no.	Description	Part no.	Description					
3-7/16	033247	P2B-MM7-307	033347	P2B-MM10-307	23.00	HD-250	3-1/2	12	2-13/16
3-1/2	033251	P2B-MM7-308	033351	P2B-MM10-308	22.80	HD-250	3-1/2	12	2-13/16
3-15/16	033475	P2B-MM7-315	033480	P2B-MM10-315	36.00	HD-300	4	13-7/16	3-3/16
4	033485	P2B-MM7-400	033490	P2B-MM10-400	35.80	HD-300	4	13-7/16	3-3/16
4-7/16	033500	P2B-MM7-407	033505	P2B-MM10-407	60.00	HD-350	4-1/2	16	3-7/16
4-1/2	033510	P2B-MM7-408	033515	P2B-MM10-408	59.70	HD-350	4-1/2	16	3-7/16
4-15/16	033525	P4B-MM7-415	033530	P4B-MM10-415	92.00	HD-400	5	17-7/16	4-3/4
5	033535	P4B-MM7-500	033540	P4B-MM10-500	91.50	HD-400	5	17-7/16	4-3/4

Shaft size	D		2 bolt base		4 bolt base		G	H	J	L	M	P
	Min.	Max.	F bolt dia.	E	F bolt dia.	F bolt dia.						
3-7/16	9-1/4	10-1/4	5/8	1-1/4	1-3/4	7	4-7/8	3-1/4	7- 1/4
3-1/2	9-1/4	10-1/4	5/8	1-1/4	1-3/4	7	4-7/8	3-1/4	7- 1/4
3-15/16	9-7/8	11-1/2	3/4	1-11/16	2	7-15/16	5-5/8	3-3/4	8-3/16
4	9-7/8	11-1/2	3/4	1-11/16	2	7-15/16	5-5/8	3-3/4	8-3/16
4-7/16	12-13/16	13-13/16	7/8	1-1/2	2-1/4	9-7/16	6-15/16	4-1/2	10
4-1/2	12-13/16	13-13/16	7/8	1-1/2	2-1/4	9-7/16	6-15/16	4-1/2	10
4-15/16	13-1/8	14-3/4	...	2	3/4	...	1-11/16	2-3/4	10-1/2	7-9/16	5	10-5/8
5	13-1/8	14-3/4	...	2	3/4	...	1-11/16	2-3/4	10-1/2	7-9/16	5	10-5/8

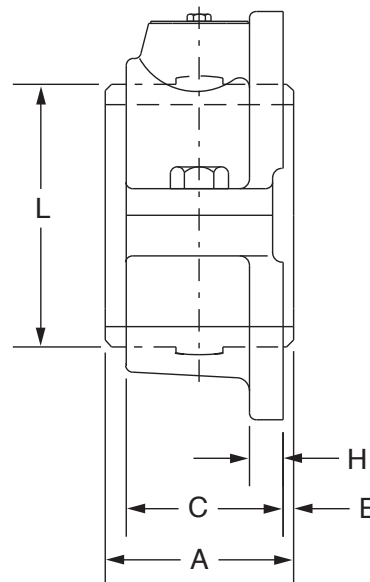
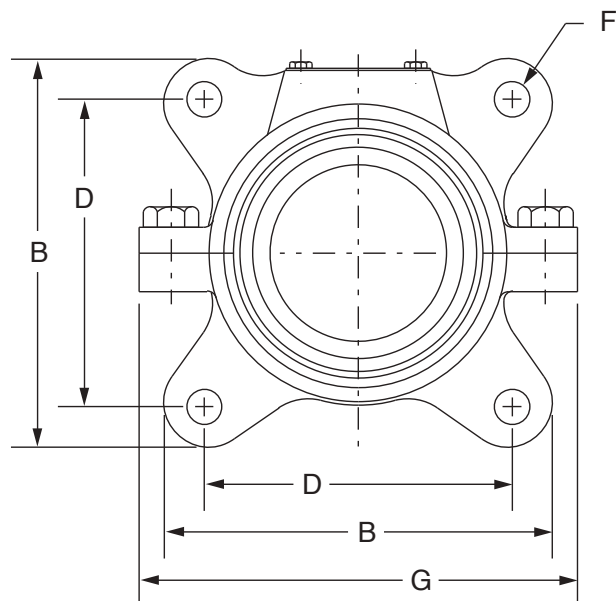
◆ No published metric dimensions for this product

Sleeve bearings

Selection/Dimensions

Sleeve bearings - Solidlube

3-7/16. thru 5. Solidlube MM 4-bolt flange bearing



Shaft size	700 series		1000 series		Wt.
	Part no.	Description	Part no.	Description	
3-7/16	033323	F4B-MM7-307	033868	F4B-MM10-307	17.00
3-1/2	033321	F4B-MM7-308	033931	F4B-MM10-308	18.00
3-15/16	032923	F4B-MM7-315	033899	F4B-MM10-315	26.00
4	032937	F4B-MM7-400	033932	F4B-MM10-400	26.00
4-7/16	033862	F4B-MM7-407	033933	F4B-MM10-407	42.00
4-1/2	033863	F4B-MM7-408	033934	F4B-MM10-408	42.00
4-15/16	033929	F4B-MM7-415	033869	F4B-MM10-415	62.00
5	033930	F4B-MM7-500	033867	F4B-MM10-500	62.00

Shaft size	A	B	C	D	E	F	G	H	L
3-7/16	3-1/2	7-5/8	2-59/64	6	3/16	5/8	8-9/16	5/8	4- 7/8
3-1/2	3-1/2	7-5/8	2-59/64	6	3/16	5/8	8-9/16	5/8	4- 7/8
3-15/16	4	8-7/8	3-11/32	6-7/8	1/4	3/4	9-1/2	11/16	5- 5/8
4	4	8-7/8	3-11/32	6-7/8	1/4	3/4	9-1/2	11/16	5- 5/8
4-7/16	4-1/2	10-1/4	3-23/32	8-1/8	1/4	7/8	11-3/8	3/4	6-15/16
4-1/2	4-1/2	10-1/4	3-23/32	8-1/8	1/4	7/8	11-3/8	3/4	6-15/16
4-15/16	5	11-7/16	4- 5/8	9-3/16	1/8	1	12-7/8	13/16	7- 9/16
5	5	11-7/16	4- 5/8	9-3/16	1/8	1	12-7/8	13/16	7- 9/16

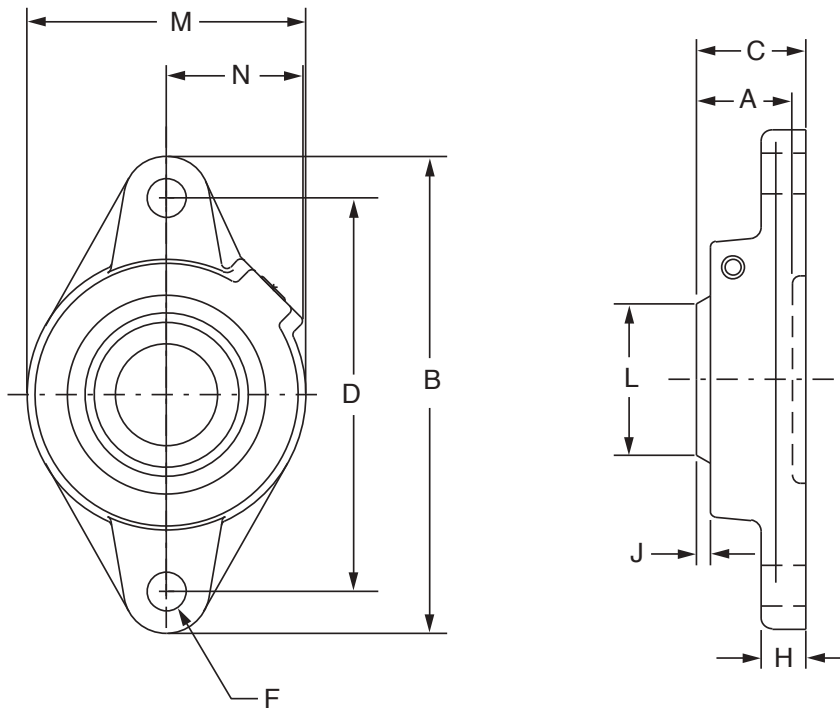
◆ No published metric dimensions for this product

Sleeve bearings

Selection/Dimensions

Sleeve bearings - Solidlube

3/4. thru 2. Solidlube LT 2-bolt flange bearing



Series	Shaft size	700 series			1000 series		
		Part no.	Description	Wt.	Part no.	Description	Wt.
204	3/4	033085	F2B-LT7-012	1.2	033185	F2B-LT10-012	1.2
	20mm	034260	F2B-LT7-20M	0.54	034266	F2B-LT10-20M	0.54
205	7/8	033086	F2B-LT7-014	1.7	033186	F2B-LT10-014	1.7
	15/16	033087	F2B-LT7-015	1.6	033187	F2B-LT10-015	1.6
	1	033088	F2B-LT7-100	1.5	033188	F2B-LT10-100	1.5
	25mm	034261	F2B-LT7-25M	0.68	034267	F2B-LT10-25M	0.68
206	1-1/8	033089	F2B-LT7-102	2.2	033189	F2B-LT10-102	2.2
	1-3/16	033090	F2B-LT7-103	2.1	033190	F2B-LT10-103	2.1
	30mm	034262	F2B-LT7-30M	0.95	034268	F2B-LT10-30M	0.95
207	1-1/4	033091	F2B-LT7-104	3.6	033191	F2B-LT10-104	3.6
	1-3/8	033092	F2B-LT7-106	3.3	033192	F2B-LT10-106	3.3
	1-7/16	033093	F2B-LT7-107	3.2	033193	F2B-LT10-107	3.2
	1-1/2	033094	F2B-LT7-108	3.1	033194	F2B-LT10-108	3.1
	35mm	034263	F2B-LT7-35M	1.5	034269	F2B-LT10-35M	1.5
209	1-11/16	033095	F2B-LT7-111	4.9	033195	F2B-LT10-111	4.9
	1-3/4	033096	F2B-LT7-112	4.7	033196	F2B-LT10-112	4.7
	40mm	034218	F2B-LT7-40M	2.22	034270	F2B-LT10-40M	2.22
	45mm	034264	F2B-LT7-45M	2.13	034271	F2B-LT10-45M	2.13
210	1-15/16	033097	F2B-LT7-115	5.4	033197	F2B-LT10-115	5.4
	2	033098	F2B-LT7-200	5.2	033198	F2B-LT10-200	5.2
	50mm	034265	F2B-LT7-50M	2.36	034272	F2B-LT10-50M	2.36

Sleeve bearings

Selection/Dimensions

Sleeve bearings - Solidlube

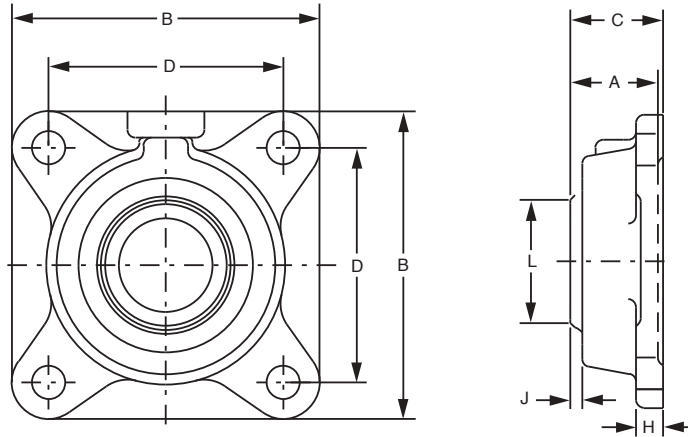
3/4. thru 2. Solidlube LT 2-bolt flange bearing

Series	Shaft size	A	B	C	D	F bolt dia.	H	J	L	M	N
204	3/4	29/32	4-13/16	1-1/8	3-17/32	3/8	1/2	5/32	1-3/8	2-3/8	1-1/2
	20mm	23.0	122.2	28.6	89.7	3/8	12.7	4.0	34.9	60.3	38.1
205	7/8	63/64	4-7/8	1-1/8	3-57/64	7/16	1/2	5/32	1-9/16	2-3/4	1-7/16
	15/16	63/64	4-7/8	1-1/8	3-57/64	7/16	1/2	5/32	1-9/16	2-3/4	1-7/16
	1	63/64	4-7/8	1-1/8	3-57/64	7/16	1/2	5/32	1-9/16	2-3/4	1-7/16
	25mm	25.4	123.8	28.6	98.8	7/16	12.7	4.0	39.7	69.9	36.5
206	1-1/8	1-7/64	5-9/16	1-7/32	4-19/32	7/16	1/2	5/32	1-13/16	3-1/8	1-9/16
	1-3/16	1-7/64	5-9/16	1-7/32	4-19/32	7/16	1/2	5/32	1-13/16	3-1/8	1-9/16
	30mm	28.2	141.3	31.0	116.7	7/16	12.7	4.0	46.0	79.4	39.7
207	1-1/4	1-7/32	6-1/8	1-3/8	5-1/8	1/2	9/16	5/32	2-1/8	3-3/4	1-27/32
	1-3/8	1-7/32	6-1/8	1-3/8	5-1/8	1/2	9/16	5/32	2-1/8	3-3/4	1-27/32
	1-7/16	1-7/32	6-1/8	1-3/8	5-1/8	1/2	9/16	5/32	2-1/8	3-3/4	1-27/32
	1-1/2	1-7/32	6-1/8	1-3/8	5-1/8	1/2	9/16	5/32	2-1/8	3-3/4	1-27/32
	35mm	31.0	155.6	34.9	130.2	1/2	14.3	4.0	54.0	95.3	46.8
209	1-11/16	1-21/64	7-1/16	1-19/32	5-27/32	1/2	5/8	3/16	2-9/16	4-3/8	1-29/32
	1-3/4	1-21/64	7-1/16	1-19/32	5-27/32	1/2	5/8	3/16	2-9/16	4-3/8	1-29/32
	40mm	33.7	179.4	40.5	148.4	1/2	15.9	4.8	65.1	111.1	48.4
	45mm	33.7	179.4	40.5	148.4	1/2	15.9	4.8	65.1	111.1	48.4
210	1-15/16	1-13/32	7-7/16	1-21/32	6-3/16	1/2	5/8	3/16	2-13/16	4-9/32	2-1/32
	2	1-13/32	7-7/16	1-21/32	6-3/16	1/2	5/8	3/16	2-13/16	4-9/32	2-1/32
	50mm	35.7	188.9	42.1	157.2	1/2	15.9	4.8	71.4	108.7	51.6

Sleeve bearings

Selection/Dimensions

Sleeve bearings - Solidlube
3/4. thru 3. Solidlube LT 4-bolt flange bearing



Series	Shaft size	700 series			1000 series		
		Part no.	Description	Wt.	Part no.	Description	Wt.
204	3/4	033260	F4B-LT7-012	1.5	033200	F4B-LT10-012	1.5
	20mm	034273	F4B-LT7-20M	0.68	034283	F4B-LT10-20M	0.6
205	7/8	033261	F4B-LT7-014	2.2	033201	F4B-LT10-014	2.2
	15/16	033262	F4B-LT7-015	2.1	033202	F4B-LT10-015	2.1
	1	033263	F4B-LT7-100	2	033203	F4B-LT10-100	2
206	25mm	034274	F4B-LT7-25M	0.91	034284	F4B-LT10-25M	0.91
	1-1/8	033264	F4B-LT7-102	2.9	033204	F4B-LT10-102	2.9
	1-3/16	033265	F4B-LT7-103	2.8	033205	F4B-LT10-103	2.8
207	30mm	034275	F4B-LT7-30M	1.27	034285	F4B-LT10-30M	1.27
	1-1/4	033266	F4B-LT7-104	4.3	033206	F4B-LT10-104	4.3
	1-3/8	033267	F4B-LT7-106	4	033207	F4B-LT10-106	4
209	1-7/16	033268	F4B-LT7-107	3.9	033208	F4B-LT10-107	3.9
	1-1/2	033269	F4B-LT7-108	3.8	033209	F4B-LT10-108	3.8
	35mm	034276	F4B-LT7-35M	1.81	034286	F4B-LT10-35M	1.81
210	1-11/16	033270	F4B-LT7-111	5.8	033210	F4B-LT10-111	5.8
	1-3/4	033271	F4B-LT7-112	5.6	033211	F4B-LT10-112	5.6
	40mm	034277	F4B-LT7-40M	2.63	034287	F4B-LT10-40M	2.63
211	45mm	034278	F4B-LT7-45M	2.54	034288	F4B-LT10-45M	2.54
	1-15/16	033272	F4B-LT7-115	6.8	033212	F4B-LT10-115	6.8
	2	033273	F4B-LT7-200	6.6	033213	F4B-LT10-200	6.6
212	50mm	034279	F4B-LT7-50M	3	034289	F4B-LT10-50M	3
	2-3/16	033274	F4B-LT7-203	8.5	033214	F4B-LT10-203	8.5
	2-7/16	033275	F4B-LT7-207	11	033215	F4B-LT10-207	11
215	2-1/2	033276	F4B-LT7-208	10.8	033216	F4B-LT10-208	10.8
	60mm	034280	F4B-LT7-60M	5	034290	F4B-LT10-60M	5
	2-15/16	033277	F4B-LT7-215	18	033217	F4B-LT10-215	18
	3	033278	F4B-LT7-300	17.7	033218	F4B-LT10-300	17.7
	70mm	034281	F4B-LT7-70M	8.16	034291	F4B-LT10-70M	8.16
	75mm	034282	F4B-LT7-75M	8.03	034292	F4B-LT10-75M	8.03

Sleeve bearings

Selection/Dimensions

Sleeve bearings - Solidlube
3/4. thru 3. Solidlube LT 4-bolt flange bearing

Series	Shaft size	A	B	C	D	F bolt	H	J	L
204	3/4	29/32	3-3/8	1-1/8	2-1/2	3/8	7/16	5/32	1-3/8
	20mm	23.0	85.7	28.6	63.5	10.0	11.1	3.2	34.9
205	7/8	63/64	3-3/4	1-1/8	2-3/4	7/16	1/2	3/16	1-9/16
	15/16	63/64	3-3/4	1-1/8	2-3/4	7/16	1/2	3/16	1-9/16
	1	63/64	3-3/4	1-1/8	2-3/4	7/16	1/2	3/16	1-9/16
	25mm	25.4	95.2	28.6	69.9	10.0	12.7	4.8	39.7
206	1-1/8	31/32	4-1/4	1-7/32	3-1/4	7/16	1/2	5/32	1-13/16
	1-3/16	31/32	4-1/4	1-7/32	3-1/4	7/16	1/2	5/32	1-13/16
	30mm	28.2	108.0	31.0	82.6	10.0	12.7	4.0	46.0
207	1-1/4	1-7/32	4-3/4	1-3/8	3-5/8	1/2	9/16	5/32	2-1/8
	1-3/8	1-7/32	4-3/4	1-3/8	3-5/8	1/2	9/16	5/32	2-1/8
	1-7/16	1-7/32	4-3/4	1-3/8	3-5/8	1/2	9/16	5/32	2-1/8
	1-1/2	1-7/32	4-3/4	1-3/8	3-5/8	1/2	9/16	5/32	2-1/8
	35mm	31.0	120.7	34.9	92.1	12.0	14.3	4.0	54.0
209	1-11/16	1-11/32	5-3/8	1-19/32	4-1/8	1/2	5/8	13/64	2-9/16
	1-3/4	1-11/32	5-3/8	1-19/32	4-1/8	1/2	5/8	13/64	2-9/16
	40mm	33.7	136.5	40.5	104.8	12.0	15.9	4.8	65.1
	45mm	33.7	136.5	40.5	104.8	12.0	15.9	4.8	65.1
210	1-15/16	1-13/32	5-5/8	1-21/32	4-3/8	1/2	5/8	7/32	2-13/16
	2	1-13/32	5-5/8	1-21/32	4-3/8	1/2	5/8	7/32	2-13/16
	50mm	35.7	142.9	42.1	111.1	12.0	15.9	4.8	71.4
211	2-3/16	1-17/32	6-1/2	1-25/32	5-1/8	5/8	11/16	7/32	3-1/8
212	2-7/16	1-15/32	7	1-31/32	5-5/8	5/8	11/16	11/64	3-1/2
	2-1/2	1-15/32	7	1-31/32	5-5/8	5/8	11/16	11/64	3-1/2
	60mm	41.3	177.8	47.6	142.9	16.0	17.5	4.0	88.9
215	2-15/16	2-23/32	7-3/4	2-3/4	6	3/4	1	17/32	3-15/16
	3	2-23/32	7-3/4	2-3/4	6	3/4	1	17/32	3-15/16
	70mm	61.1	196.9	70.6	152.4	18.0	25.4	13.5	100.0
	75mm	61.1	196.9	70.6	152.4	18.0	25.4	13.5	100.0

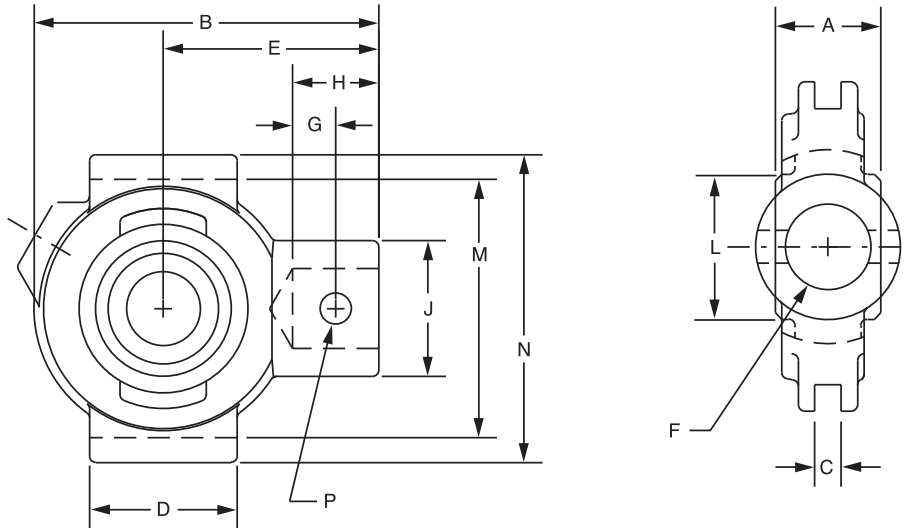
All dimensions are in millimeters unless otherwise specified.

Sleeve bearings

Selection/Dimensions

Sleeve bearings - Solidlube

3/4. thru 2-1/2. Solidlube LT narrow slot take-up bearings



Series	Shaft size	LT700			LT1000			Used on frame
		Part no.	Description	Wt.	Part no.	Description	Wt.	
204	3/4	033810	NSTU-LT7-012	1.7	033840	NSTU-LT10-012	1.7	NS-210
	20mm	034293	NSTU-LT7-20M	0.77	034303	NSTU-LT10-20M	0.77	NS-210
205	7/8	033811	NSTU-LT7-014	1.9	033841	NSTU-LT10-014	1.9	NS-210
	15/16	033812	NSTU-LT7-015	1.8	033842	NSTU-LT10-015	1.8	NS-210
	1	033813	NSTU-LT7-100	1.7	033843	NSTU-LT10-100	1.7	NS-210
	25mm	034294	NSTU-LT7-25M	0.77	034304	NSTU-LT10-25M	0.77	NS-210
206	1-1/8	033814	NSTU-LT7-102	2.8	033844	NSTU-LT10-102	2.8	NS-308
	1-3/16	033815	NSTU-LT7-103	2.7	033845	NSTU-LT10-103	2.7	NS-308
	30mm	034295	NSTU-LT7-30M	1.22	034305	NSTU-LT10-30M	1.22	NS-308
207	1-1/4	033816	NSTU-LT7-104	3.2	033846	NSTU-LT10-104	3.2	NS-308
	1-3/8	033817	NSTU-LT7-106	3.0	033847	NSTU-LT10-106	3.0	NS-308
	1-7/16	033818	NSTU-LT7-107	2.9	033848	NSTU-LT10-107	2.9	NS-308
	1-1/2	033819	NSTU-LT7-108	2.8	033849	NSTU-LT10-108	2.8	NS-308
	35mm	034296	NSTU-LT7-35M	1.36	034306	NSTU-LT10-35M	1.36	NS-308
209	1-11/16	033820	NSTU-LT7-111	4.9	033850	NSTU-LT10-111	4.9	NS-400
	1-3/4	033821	NSTU-LT7-112	4.8	033851	NSTU-LT10-112	4.8	NS-400
	40mm	034297	NSTU-LT7-40M	2.22	034307	NSTU-LT10-40M	2.22	NS-400
	45mm	034298	NSTU-LT7-45M	2.18	034308	NSTU-LT10-45M	2.18	NS-400
210	1-15/16	033822	NSTU-LT7-115	5.5	033852	NSTU-LT10-115	5.5	NS-400
	2	033823	NSTU-LT7-200	5.3	033853	NSTU-LT10-200	5.3	NS-400
211	50mm	034299	NSTU-LT7-50M	2.4	034309	NSTU-LT10-50M	2.4	NS-400
	2-3/16	033824	NSTU-LT7-203	6.7	033854	NSTU-LT10-203	6.7	NS-407
212	2-7/16	033825	NSTU-LT7-207	7.4	033855	NSTU-LT10-207	7.4	NS-415
	2-1/2	033826	NSTU-LT7-208	7.0	033856	NSTU-LT10-208	7.0	NS-415
	60mm	034300	NSTU-LT7-60M	3.18	034310	NSTU-LT10-60M	3.18	NS-415

Sleeve bearings

Selection/Dimensions

Sleeve bearings - Solidlube

3/4. thru 2-1/2. Solidlube LT narrow slot take-up bearings

Series	Shaft size	A	B	C	D	E	F screw dia.	G
204	3/4	1	3-1/2	1/4	1-1/2	2-3/16	3/4	7/16
	20mm	25.4	88.9	6.4	38.1	55.6	3/4	11.1
205	7/8, 15/16, 1	1-1/16	3-9/16	1/4	1-1/2	2-3/16	3/4	7/16
	25mm	27	90.5	6.4	38.1	55.6	3/4	11.1
206	1-1/8	1-3/16	4-5/16	1/4	2-1/2	2-11/16	3/4	7/16
	1-3/16	1-3/16	4-5/16	1/4	2-1/2	2-11/16	3/4	7/16
	30mm	30.2	109.5	6.4	63.5	68.3	3/4	11.1
207	1-1/4, 1-3/8,	1-5/16	4-1/2	1/4	2-1/2	2-11/16	3/4	7/16
	1-7/16, 1-1/2	1-5/16	4-1/2	1/4	2-1/2	2-11/16	3/4	7/16
	35mm	33.3	114.3	6.4	63.5	68.3	3/4	11.1
209	1-11/16, 1-3/4	1- 9/16	5- 7/16	5/16	3	3-1/4	7/8	1/2
	40mm	39.7	138.1	7.9	76.2	82.6	7/8	12.7
	45mm	39.7	138.1	7.9	76.2	82.6	7/8	12.7
210	1-15/16, 2	1- 5/8	5- 1/2	5/16	3	3-1/4	7/8	1/2
	50mm	41.3	139.7	7.9	76.2	82.6	7/8	12.7
211	2-3/16	1- 3/4	6- 1/8	5/16	3-1/2	3-5/8	1	19/32
212	2-7/16, 2-1/2	1-13/16	6-11/16	5/16	3-3/4	3-7/8	1	19/32
	60mm	46	169.9	7.9	95.3	95.3	1	15.1

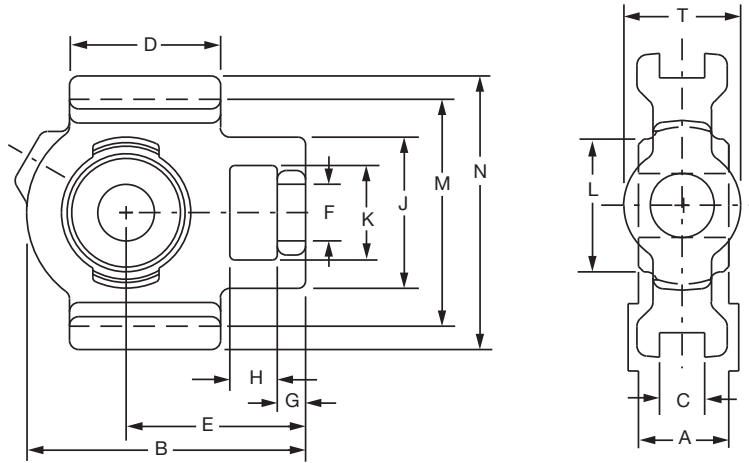
Series	Shaft Size	H	J	L	M	N	P pin dia.
204	3/4	7/8	1-3/8	1-3/8	2-5/8	3-1/8	5/16
	20mm	22.2	34.9	34.9	66.7	79.4	5/16
205	7/8, 15/16, 1	7/8	1-3/8	1-9/16	2-5/8	3-1/8	5/16
	25mm	22.2	34.9	39.7	66.7	79.4	5/16
206	1-1/8	15/16	1-3/8	1-13/16	3-1/2	4-1/8	5/16
	1-3/16	15/16	1-3/8	1-13/16	3-1/2	4-1/8	5/16
	30mm	23.8	34.9	46.0	88.9	104.8	5/16
207	1-1/4, 1-3/8,	15/16	1-3/8	2-1/8	3-1/2	4-1/8	5/16
	1-7/16, 1-1/2	15/16	1-3/8	2-1/8	3-1/2	4-1/8	5/16
	35mm	23.8	34.9	54.0	88.9	104.8	5/16
209	1-11/16, 1-3/4	1-7/32	1-5/8	2-9/16	4	4-3/4	3/8
	40mm	31.0	41.3	65.1	101.6	120.7	3/8
	45mm	31.0	41.3	65.1	101.6	120.7	3/8
210	1-15/16, 2	1-3/32	1-5/8	2-13/16	4	4-3/4	3/8
	50mm	27.8	41.3	71.4	101.6	120.7	3/8
211	2-3/16	1-9/32	1-5/8	3- 1/2	4-15/16	5-3/4	7/16
212	2-7/16, 2-1/2	1-9/32	1-3/4	3-1/8	4-7/16	5-3/8	7/16
	60mm	32.5	41.3	88.9	125.4	146.1	7/16

Sleeve bearings

Selection/Dimensions

Sleeve bearings - Solidlube

3/4. thru 3. Solidlube LT wide slot take-up bearings



Series	Shaft size	LT700			LT1000			Used on frame
		Part no.	Description	Wt.	Part no.	Description	Wt.	
204	3/4	033870	WSTU-LT7-012	2.4	033910	WSTU-LT10-012	2.4	WS-300
	20mm	034313	WSTU-LT7-20M	1.09	034323	WSTU-LT10-20M	1.09	WS-300
205	7/8	033871	WSTU-LT7-014	2.6	033911	WSTU-LT10-014	2.6	WS-300
	15/16	033872	WSTU-LT7-015	2.5	033912	WSTU-LT10-015	2.5	WS-300
	1	033873	WSTU-LT7-100	2.4	033913	WSTU-LT10-100	2.4	WS-300
	25mm	034314	WSTU-LT7-25M	1.09	034324	WSTU-LT10-25M	1.09	WS-300
206	1-1/8	033874	WSTU-LT7-102	3.2	033914	WSTU-LT10-102	3.2	WS-308
	1-3/16	033875	WSTU-LT7-103	3.1	033915	WSTU-LT10-103	3.1	WS-308
	30mm	034315	WSTU-LT7-30M	1.41	034325	WSTU-LT10-30M	1.41	WS-308
207	1-1/4	033876	WSTU-LT7-104	4.2	033916	WSTU-LT10-104	4.2	WS-308
	1-3/8	033877	WSTU-LT7-106	3.9	033917	WSTU-LT10-106	3.9	WS-308
	1-7/16	033878	WSTU-LT7-107	3.8	033918	WSTU-LT10-107	3.8	WS-308
	1-1/2	033879	WSTU-LT7-108	3.7	033919	WSTU-LT10-108	3.7	WS-308
	35mm	034316	WSTU-LT7-35M	1.77	034326	WSTU-LT10-35M	1.77	WS-308
209	1-11/16	033880	WSTU-LT7-111	6.1	033920	WSTU-LT10-111	6.1	WS-400
	1-3/4	033881	WSTU-LT7-112	6	033921	WSTU-LT10-112	6	WS-400
	40mm	034317	WSTU-LT7-40M	2.77	034327	WSTU-LT10-40M	2.77	WS-400
	45mm	034318	WSTU-LT7-45M	2.72	034328	WSTU-LT10-45M	2.72	WS-400
210	1-15/16	033882	WSTU-LT7-115	6.7	033922	WSTU-LT10-115	6.7	WS-400
	2	033883	WSTU-LT7-200	6.5	033923	WSTU-LT10-200	6.5	WS-400
	50mm	034319	WSTU-LT7-50M	2.95	034329	WSTU-LT10-50M	2.95	WS-400
211	2-3/16	033884	WSTU-LT7-203	9.8	033924	WSTU-LT10-203	9.8	WS-502
212	2-7/16	033885	WSTU-LT7-207	10.1	033925	WSTU-LT10-207	10.1	WS-502
	2-1/2	033886	WSTU-LT7-208	9.8	033926	WSTU-LT10-208	9.8	WS-502
	60mm	034320	WSTU-LT7-60M	4.58	034330	WSTU-LT10-60M	4.58	WS-502
215	2-15/16	033887	WSTU-LT7-215	13	033927	WSTU-LT10-215	13	WS-515
	3	033888	WSTU-LT7-300	12.5	033928	WSTU-LT10-300	12.5	WS-515
	70mm	034321	WSTU-LT7-70M	5.9	034331	WSTU-LT10-70M	5.9	WS-515
	75mm	034322	WSTU-LT7-75M	5.67	034332	WSTU-LT10-75M	5.67	WS-515

Sleeve bearings

Selection/Dimensions

Sleeve bearings - Solidlube

3/4. thru 3 Solidlube LT wide slot take-up bearings

Series	Shaft Size	A	B	C	D	E	F dia.	G
204	3/4	1	3-11/16	17/32	2	2-3/8	3/4	3/8
	20mm	25.4	93.7	13.5	50.8	60.3	3/4	9.5
205	7/8, 15/16, 1	1-1/16	3-13/16	17/32	2	2-7/16	13/16	3/8
	25mm	27.0	96.8	13.5	50.8	61.9	13/16	9.5
206	1-1/8, 1-3/16	1- 3/16	4- 3/8	17/32	2-1/4	2-3/4	7/8	3/8
	30mm	30.2	111.1	13.5	57.2	69.9	7/8	9.5
207	1-1/4, 1-3/8	1- 5/16	4- 7/8	17/32	2-1/2	3-1/16	7/8	1/2
	1-7/16, 1-1/2	1- 5/16	4- 7/8	17/32	2-1/2	3-1/16	7/8	1/2
	35mm	33.3	123.8	13.5	63.5	77.8	7/8	23.7
209	1-11/16,1-3/4	1- 9/16	5- 5/8	11/16	3-1/4	3-7/16	1-1/8	5/8
	40mm, 45mm	39.7	142.9	17.5	82.6	87.3	1-1/8	15.9
210	1-15/16, 2	1-5/8	5-13/16	11/16	3-3/8	3-9/16	1-1/8	5/8
	50mm	41.3	147.6	17.5	85.7	90.5	1-1/8	15.9
211	2-3/16	1-3/4	6-11/16	1-1/16	3-3/4	4-3/16	1-3/8	3/4
212	2-7/16, 2-1/2	1-13/16	7-1/2	1-1/16	4	4-11/16	1-3/8	3/4
	60mm	46.0	190.5	27.0	101.6	119.1	1-3/8	19.1
215	2-15/16, 3	2-23/32	9-1/8	1-1/16	4-3/4	5-1/2	1-9/16	13/16
	70mm, 75mm	69.1	231.8	27.0	120.7	139.7	1-9/16	20.6

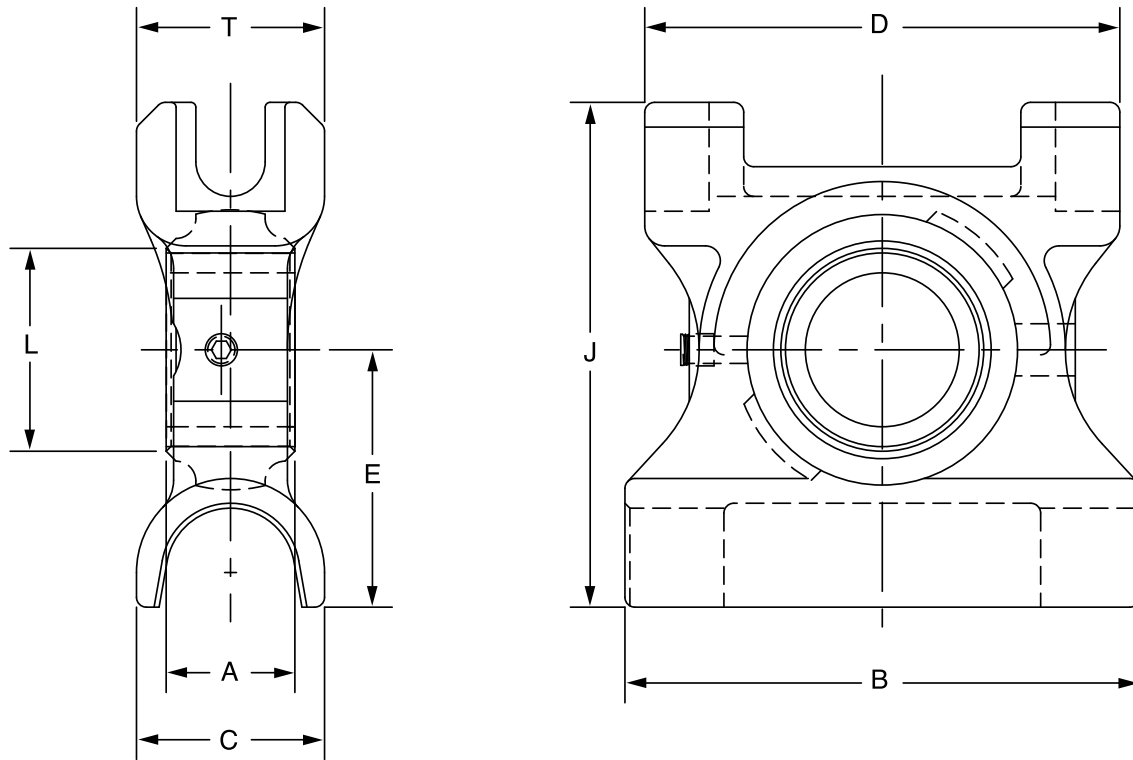
Series	Shaft size	H	J	K	L	M	N	T
204	3/4	5/8	2	1-1/4	1-3/8	3	3-5/8	1-3/8
	20mm	15.9	50.8	31.8	34.9	76.2	92.1	34.9
205	7/8, 15/16, 1	5/8	2	1-5/16	1-9/16	3	3-5/8	1-3/8
	25mm	15.9	50.8	33.3	39.7	76.2	92.1	34.9
206	1-1/8, 1-3/16	5/8	2-3/16	1-7/16	1-13/16	3-1/2	4-1/8	1-5/8
	30mm	15.9	55.6	36.5	46.0	88.9	104.8	41.3
207	1-1/4, 1-3/8	5/8	2-1/2	1-7/16	2-1/8	3-1/2	4-1/8	1-5/8
	1-7/16, 1-1/2	5/8	2-1/2	1-7/16	2-1/8	3-1/2	4-1/8	1-5/8
	35mm	15.9	63.5	36.5	54.0	88.9	104.8	41.3
209	1-11/16,1-3/4	3/4	3-1/4	1-15/16	2-9/16	4	4-3/4	1-15/16
	40mm, 45mm	19.1	82.6	49.2	65.1	101.6	120.7	49.2
210	1-15/16, 2	3/4	3-1/4	1-15/16	2-13/16	4	4-3/4	1-15/16
	50mm	19.1	82.6	49.2	71.4	101.6	120.7	49.2
211	2-3/16	1	4	2-1/2	3-1/8	5-1/8	5-7/8	2-1/2
212	2-7/16, 2-1/2	1-1/4	4	2-1/2	3-1/2	5-1/8	5-7/8	2-1/2
	60mm	31.8	101.6	63.5	88.9	130.2	149.2	63.5
215	2-15/16, 3	1-1/4	4-3/8	2-3/4	3-15/16	5-15/16	6-11/16	2-3/4
	70mm, 75mm	31.8	111.1	69.9	100.0	150.8	169.9	69.9

Sleeve bearings

Selection/Dimensions

Sleeve bearings - Solidlube

1-15/16. thru 3. type GLT Solidlube take-up bearings



Shaft size	700 series		1000 series		Wt.	Frame size
	Part no.	Description	Part no.	Description		
1-15/16	033739	TP-GLT7-115	033750	TP-GLT10-115	10.1	TP10
2	033740	TP-GLT7-200	033751	TP-GLT10-200	10.1	TP10
2-3/16	033741	TP-GLT7-203	033752	TP-GLT10-203	11.8	TP20
2-7/16	033742	TP-GLT7-207	033753	TP-GLT10-207	14.1	TP30
2-1/2	033743	TP-GLT7-208	033754	TP-GLT10-208	14.1	TP30
2-15/16	033744	TP-GLT7-215	033755	TP-GLT10-215	17.0	TP40
3	033745	TP-GLT7-300	033756	TP-GLT10-300	17.0	TP40

Sleeve bearings

Selection/Dimensions

Sleeve bearings - Solidlube

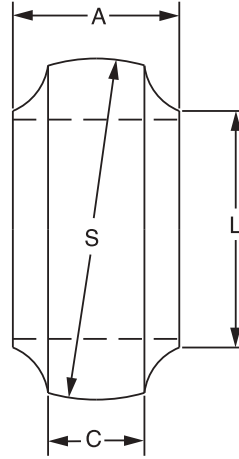
1-15/16. thru 3. type GLT Solidlube take-up bearings

Shaft size	A	B	C	D	E	J	L	T
1-15/16	1-5/8	6-1/2	2-3/8	6	3-1/4	6-3/8	2-13/16	2-3/8
2	1-5/8	6-1/2	2-3/8	6	3-1/4	6-3/8	2-13/16	2-3/8
2-3/16	1-3/4	7	2-1/2	6-3/4	3-3/8	6-7/8	3-1/8	2-3/8
2-7/16	1-13/16	7-1/2	2-3/4	7	3-1/2	7-7/16	3-1/2	2-3/4
2-1/2	1-13/16	7-1/2	2-3/4	7	3-1/2	7-7/16	3-1/2	2-3/4
2-15/16	2-23/32	8-1/2	2-1/2	8	4	8-5/16	3-15/16	2-3/4
3	2-23/32	8-1/2	2-1/2	8	4	8-5/16	3-15/16	2-3/4

Sleeve bearings

Selection/Dimensions

Sleeve bearings - Solidlube
3/4. thru 3. Solidlube LT inserts



Series	Shaft size	700 series			1000 series		
		Part no.	LT700 series description	Wt.	Part no.	LT1000 series description	Wt.
204	3/4	033585	INS-LT7-012	0.30	033610	INS-LT10-012	0.30
	20mm	034454	INS-LT7-20M	0.14	034455	INS-LT10-20M	0.14
205	7/8	033586	INS-LT7-014	0.50	033611	INS-LT10-014	0.50
	15/16	033587	INS-LT7-015	0.40	033612	INS-LT10-015	0.40
	1	033588	INS-LT7-100	0.30	033613	INS-LT10-100	0.30
	25mm	034456	INS-LT7-25M	0.14	034457	INS-LT10-25M	0.14
206	1-1/8	033589	INS-LT7-102	0.70	033614	INS-LT10-102	0.70
	1-3/16	033590	INS-LT7-103	0.60	033615	INS-LT10-103	0.60
	30mm	034458	INS-LT7-30M	0.32	034459	INS-LT10-30M	0.32
207	1-1/4	033591	INS-LT7-104	1.20	033616	INS-LT10-104	1.20
	1-3/8	033592	INS-LT7-106	1.00	033617	INS-LT10-106	1.00
	1-7/16	033593	INS-LT7-107	0.90	033618	INS-LT10-107	0.90
	1-1/2	033594	INS-LT7-108	0.80	033619	INS-LT10-108	0.80
209	35mm	034460	INS-LT7-35M	0.45	034461	INS-LT10-35M	0.45
	1-11/16	033595	INS-LT7-111	1.60	033620	INS-LT10-111	1.60
	1-3/4	033596	INS-LT7-112	1.40	033621	INS-LT10-112	1.40
210	40mm	034462	INS-LT7-40M	0.73	034463	INS-LT10-40M	0.73
	45mm	034464	INS-LT7-45M	0.64	034465	INS-LT10-45M	0.64
	1-15/16	033597	INS-LT7-115	1.80	033622	INS-LT10-115	1.80
211	2	033598	INS-LT7-200	1.60	033623	INS-LT10-200	1.60
	50mm	034466	INS-LT7-50M	0.73	034467	INS-LT10-50M	0.73
	2-3/16	033599	INS-LT7-203	2.30	033624	INS-LT10-203	2.30
212	2-7/16	033600	INS-LT7-207	3.20	033625	INS-LT10-207	3.20
	2-1/2	033601	INS-LT7-208	3.00	033626	INS-LT10-208	3.00
	60mm	034468	INS-LT7-60M	1.45	034469	INS-LT10-60M	1.45
215	75mm	034472	INS-LT7-75M	2.50	034473	INS-LT10-75M	2.50
	2-15/16	033602	INS-LT7-215	5.80	033627	INS-LT10-215	5.80
	3	034117	INS-LT7-300	5.50	034525	INS-LT10-300	5.50
	70mm	034470	INS-LT7-70M	2.50	034471	INS-LT10-70M	2.50

Sleeve bearings

Selection/Dimensions

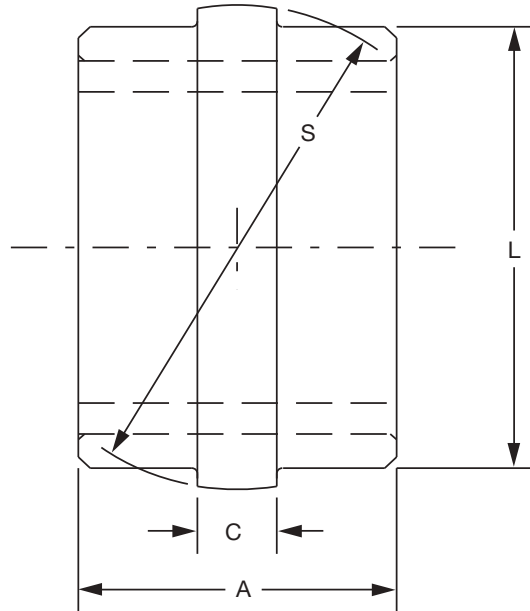
Sleeve bearings - Solidlube
3/4. thru 3. Solidlube LT inserts

Series	Shaft size	A	C	L	S
204	3/4	1	5/8	1-3/8	1.8445/1.8425
	20mm	25.4	15.9	34.9	46.850 / 46.800
205	7/8	1-1/16	5/8	1-9/16	2.0415/2.0395
	15/16	1-1/16	5/8	1-9/16	2.0415/2.0395
	1	1-1/16	5/8	1-9/16	2.0415/2.0395
	25mm	27.0	15.9	39.7	51.854 / 51.803
206	1-1/8	1-3/16	11/16	1-13/16	2.435/2.433
	1-3/16	1-3/16	11/16	1-13/16	2.435/2.433
	30mm	30.2	17.5	46.0	61.849 / 61.798
207	1-1/4	1-5/16	13/16	2-1/8	2.829/2.827
	1-3/8	1-5/16	13/16	2-1/8	2.435/2.433
	1-7/16	1-5/16	13/16	2-1/8	2.435/2.433
	1-1/2	1-5/16	13/16	2-1/8	2.435/2.433
	35mm	33.3	20.6	54.0	71.857 / 71.806
209	1-11/16	1-9/16	13/16	2-9/16	3.3415/3.3395
	1-3/4	1-9/16	13/16	2-9/16	3.3415/3.3395
	40mm	39.7	20.6	65.1	84.874 / 84.823
	45mm	39.7	20.6	65.1	84.874 / 84.823
210	1-15/16	1-5/8	7/8	2-13/16	3.5375/3.5355
	2	1-5/8	7/8	2-13/16	3.5375/3.5355
	50mm	41.3	22.2	71.4	89.853 / 89.802
211	2-3/16	1-3/4	15/16	3-1/8	3.932/3.930
212	2-7/16	1-13/16	1-1/16	3-1/2	4.326/4.324
	2-1/2	1-13/16	1-1/16	3-1/2	4.326/4.324
	60mm	46.0	27.0	88.9	109.880 / 109.830
215	2-15/16	2-23/32	1-3/16	3-15/16	5.1135/5.1115
	3	2-23/32	1-3/16	3-15/16	5.1135/5.1115
	70mm	69.1	30.2	100.0	129.883 / 129.832
	75mm	69.1	30.2	100.0	129.883 / 129.832

Sleeve bearings

Selection/Dimensions

Sleeve bearings - Solidlube
3-7/16. thru 5. Solidlube MM bearing inserts



Shaft size	700 series		1000 series		Wt.
	Part no.	Description	Part no.	Description	
3-7/16	034438	INS-MM7-307	034439	INS-MM10-307	6.4
3-1/2	034440	INS-MM7-308	034441	INS-MM10-308	6.2
3-15/16	034442	INS-MM7-315	034443	INS-MM10-315	10.0
4	034444	INS-MM7-400	034445	INS-MM10-400	9.8
4-7/16	034446	INS-MM7-407	034447	INS-MM10-407	20.0
4-1/2	034448	INS-MM7-408	034449	INS-MM10-408	19.7
4-15/16	034450	INS-MM7-415	034451	INS-MM10-415	27.0
5	034452	INS-MM7-500	034453	INS-MM10-500	26.5

Shaft size	Wt.	A	C	L dia.	S spherical dia.
3-7/16	6.4	3-1/2	7/8	4-7/8	5.182/5.180
3-1/2	6.2	3-1/2	7/8	4-7/8	5.182/5.180
3-15/16	10.0	4	1-1/8	5-5/8	6.057/6.055
4	9.8	4	1-1/8	5-5/8	6.057/6.055
4-7/16	20.0	4-1/2	1-1/4	6-15/16	7.370/7.367
4-1/2	19.7	4-1/2	1-1/4	6-15/16	7.370/7.367
4-15/16	27.0	5	1-3/8	7-9/16	7.995/7.992
5	26.5	5	1-3/8	7-9/16	7.995/7.992

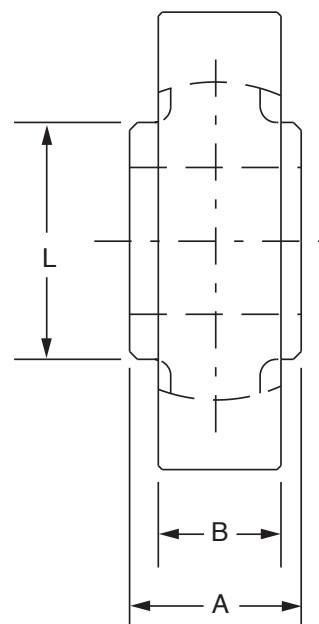
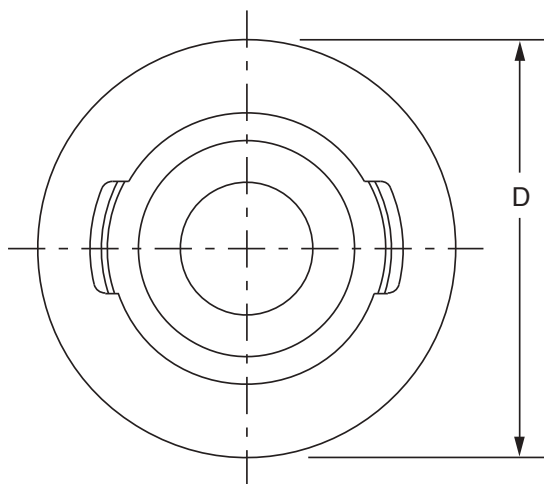
◆ No published metric dimensions for this product

Sleeve bearings

Selection/Dimensions

Sleeve bearings - Solidlube

7/8. thru 1-1/2. Solidlube LT cylindrical units



Shaft size	LT700			LT1000		
	Part no.	Description	Wt.	Part no.	Description	Wt.
7/8	033961	CYL-LT7-014	1.5	422596	CYL-LT10-014	1.5
15/16	033960	CYL-LT7-015	1.5	422595	CYL-LT10-015	1.5
1	033962	CYL-LT7-100	1.5	422597	CYL-LT10-100	1.5
1-1/8	033963	CYL-LT7-102	29.0	492598	CYL-LT10-102	2.9
1-3/16	033964	CYL-LT7-103	29.0	422599	CYL-LT10-103	2.9
1-1/4	033965	CYL-LT7-104	3.0	422600	CYL-LT10-104	3.0
1-3/8	033966	CYL-LT7-106	3.0	422601	CYL-LT10-106	3.0
1-7/16	033967	CYL-LT7-107	3.0	422602	CYL-LT10-107	3.0
1-1/2	033968	CYL-LT7-108	3.0	422603	CYL-LT10-108	3.0

Shaft size	A	B	D dia. +.000 -.002	L
7/8	1-1/16	27/32	3-1/8	1- 9/16
15/16	1-1/16	27/32	3-1/8	1- 9/16
1	1-1/16	27/32	3-1/8	1- 9/16
1-1/8	1-3/16	15/16	3-1/2	1-13/16
1-3/16	1-3/16	15/16	3-1/2	1-13/16
1-1/4	1- 5/16	1-1/16	3-7/8	2-1/8
1-3/8	1- 5/16	1-1/16	3-7/8	2-1/8
1-7/16	1- 5/16	1-1/16	3-7/8	2-1/8
1-1/2	1- 5/16	1-1/16	3-7/8	2-1/8

◆ No published metric dimensions for this product

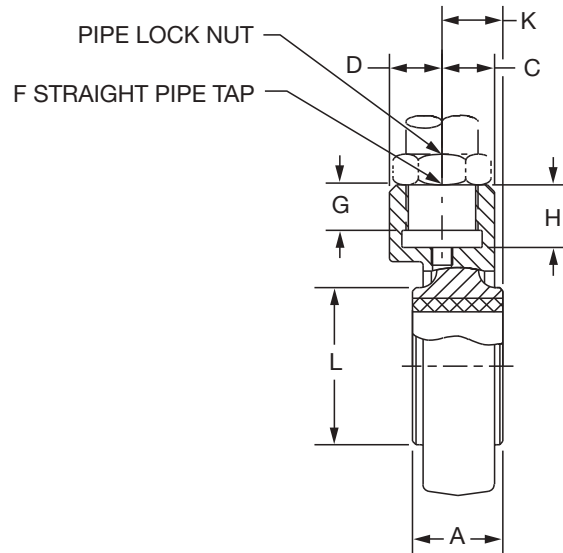
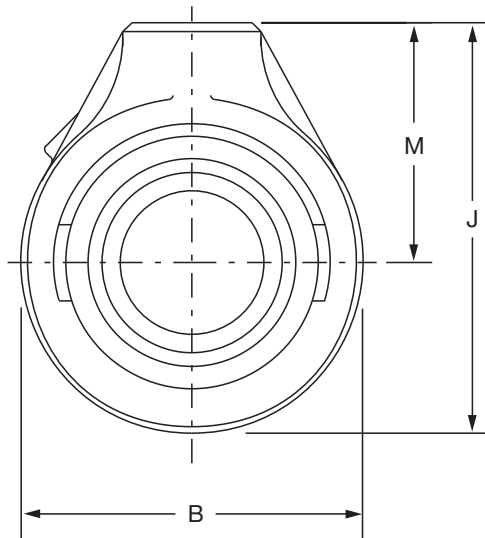
Sleeve bearings

Selection/Dimensions

Sleeve bearings - Solidlube

1-15/16. thru 2-1/2.

Solidlube LT screw conveyor hanger bearing



Series	Shaft size	LT700 series			LT1000 series		
		Part no.	Description	Wt.	Part no.	Description	Wt.
210	1-15/16	033937	SCHB-LT7-115	5.8	033952	SCHB-LT10-115	1.9
	2	033938	SCHB-LT7-200	5.7	033953	SCHB-LT10-200	2.0
212	2-7/16	033939	SCHB-LT7-207	7.1	033954	SCHB-LT10-207	5.0
	2-1/2	033940	SCHB-LT7-208	7.0	033955	SCHB-LT10-208	4.8

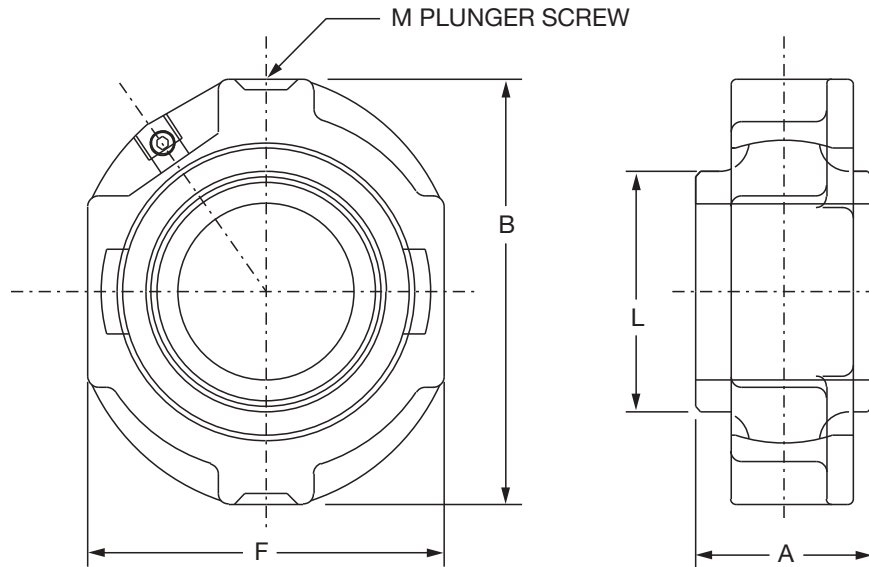
Series	Shaft size	A	B	C	D	F#	G	H	J	K	L	M
210	1-15/16	1-5/8	4-5/8	7/8	15/16	1	13/16	1-1/8	5-9/16	1-3/32	2-13/16	3-1/4
	2	1-5/8	4-5/8	7/8	15/16	1	13/16	1-1/8	5-9/16	1-3/32	2-13/16	3-1/4
212	2-7/16	1-13/16	5-1/2	1-5/32	1-5/32	1-1/4	1-1/8	1-7/16	6-3/4	1-1/4	3-1/2	4
	2-1/2	1-13/16	5-1/2	1-5/32	1-5/32	1-1/4	1-1/8	1-7/16	6-3/4	1-1/4	3-1/2	4

◆ No published metric dimensions for this product

Sleeve bearings

Selection/Dimensions

Sleeve Bearings - Solidlube
 1-1/8. thru 2. Solidlube LT hanger bearings



Shaft size	LT700		LT1000		Wt.
	Part no.	Description	Part no.	Description	
1-1/8	033890	HNG-LT7-102	033900	HNG-LT10-102	1.9
1-3/16	033891	HNG-LT7-103	033901	HNG-LT10-103	2.0
1-1/4	033892	HNG-LT7-104	033902	HNG-LT10-104	3.1
1-3/8	033893	HNG-LT7-106	033903	HNG-LT10-106	3.0
1-7/16	033894	HNG-LT7-107	033904	HNG-LT10-107	2.9
1-1/2	033895	HNG-LT7-108	033905	HNG-LT10-108	2.8
1-15/16	033896	HNG-LT7-115	033906	HNG-LT10-115	5.0
2	033897	HNG-LT7-200	033907	HNG-LT10-200	4.8

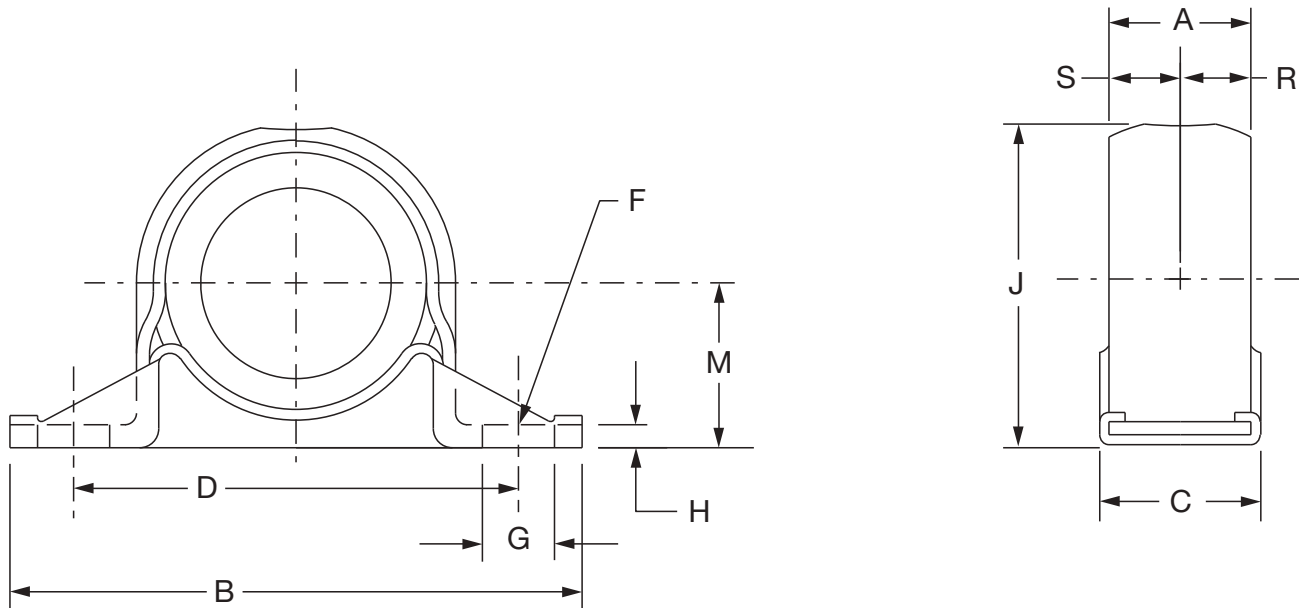
Shaft size	A	B	F	L	M
1-1/8	1-3/16	3-5/8	3	1-13/16	1/2
1-3/16	1-3/16	3-5/8	3	1-13/16	1/2
1-1/4	1-5/16	4-1/4	3-1/2	2-1/8	1/2
1-3/8	1-5/16	4-1/4	3-1/2	2-1/8	1/2
1-7/16	1-5/16	4-1/4	3-1/2	2-1/8	1/2
1-1/2	1-5/16	4-1/4	3-1/2	2-1/8	1/2
1-15/16	1-5/8	5	4-3/16	2-13/16	5/8
2	1-5/8	5	4-3/16	2-13/16	5/8

◆ No published metric dimensions for this product

Sleeve bearings

Selection/Dimensions

Sleeve bearings - Solidlube
3/4. thru 1-1/2. Solidlube LM800 pillow blocks



Shaft size	Part no.	Description	Wt.	A	B	C	D
3/4	033692	P2B-LM8-012	.70	1	4	1-7/32	3
1	033693	P2B-LM8-100	.22	1	4	1-7/32	3
1-1/4	033694	P2B-LM8-104	.70	1-1/8	4-1/2	1-11/32	3-1/2
1-1/2	033695	P2B-LM8-108	.50	1-1/8	4-1/2	1-11/32	3-1/2

Shaft size	F bolt dia.	G	H	J	M	R	S
3/4	3/8	9/16	5/32	2-1/16	1-1/16	1/2	1/2
1	3/8	9/16	5/32	2-1/16	1-1/16	1/2	1/2
1-1/4	3/8	9/16	5/32	2-9/16	1-5/16	9/16	9/16
1-1/2	3/8	9/16	5/32	2-9/16	1-5/16	9/16	9/16

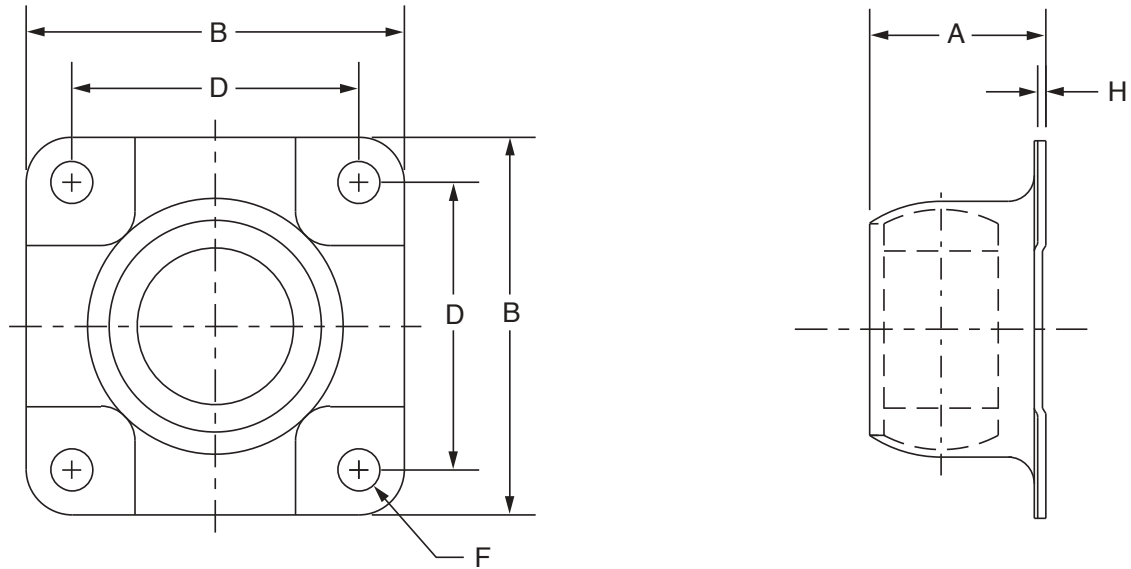
◆ No published metric dimensions for this product

Sleeve bearings

Selection/Dimensions

Sleeve bearings - Solidlube

3/4. thru 1-1/2. Solidlube LM800 4-bolt flange bearing



Shaft size	Part no.	Description	Wt.	A
3/4	033696	F4B-LM8-012	.50	1-9/32
1	033697	F4B-LM8-100	.36	1-9/32
1-1/4	033698	F4B-LM8-104	.50	1-11/16
1-1/2	033699	F4B-LM8-108	.50	1-11/16

Shaft size	B	D	F bolt dia.	H
3/4	3-1/8	2-1/4	3/8	1/16
1	3-1/8	2-1/4	3/8	1/16
1-1/4	3-5/8	2-3/4	3/8	1/16
1-1/2	3-5/8	2-3/4	3/8	1/16

◆ No published metric dimensions for this product

Sleeve bearings

Notes

Sleevoil[®] bearings

Contents

Features / Benefits

- 8-3 General Information
- 8-4 R series pillow block
- 8-5 RTL series pillow block
- 8-7 Specification/How to order
- 8-7 Nomenclature
- 8-8 Selection

Selection/Dimensions

- 8-10 R series pillow block
- 8-18 RTL series pillow block

Modifications/Accessories

- 8-20 End cap kits
- 8-21 Auxiliary seal kits
- 8-24 Heater/Thermostat
- 8-24 R series replacement part kits
- 8-25 Trapezoidal oil ring (RTL)
- 8-26 Vibration detector adapter kit
- 8-27 Oil level and filtration system
- 8-28 Bearing isolator

INDEX-1 Part number index

INDEX-59 Key word index

Sleevoil[®] bearings

Sleevoil[®] bearings

Features/Benefits

General operating characteristics

Though originally designed for the exacting requirements of the air handling industry, R series Sleevoil pillow blocks are suitable for a wide range of industrial applications where a precision built, split, babbitted, ring-oiled Bearing is required which is self aligning and quiet in operation.

Sleevoil pillow blocks have good cooling capabilities. Water cooled (WC) and externally cooled (XC) types operate at higher speeds and load ranges than plain units and function well near high temperature sources.

For standard Sleevoil Bearings, the shaft tolerance is +0.000. / -0.002. with a surface finish of 32 micro-inches or better.

Where Sleevoil Bearings are currently used

- Fans & Blowers
- Generators
- Test Stands
- Pumps
- Motors
- Dynamometers
- Compressors
- Turbines

Features and benefits Sleevoil

- **Fully split** housing for trouble-free assembly and disassembly
- **Rugged construction** using gray iron housing and liner for durability
- **Babbitt lining** offers conformability and shaft protection
- **Completely self-aligning** as a result of ball and socket mounting between liner and base
- **Dependable oil ring lubrication** with self-contained oil supply
- **Convenient oil gage** can be positioned on either side of housing
- **Proven reliability** and dependable performance guard against catastrophic failures.
- **Extended life** is a plus with no metal-to-metal contact during operation. More than ten times the theoretical life of anti-friction Bearings
- **High speed capabilities** because of self-pressurized full oil film
- **Adequate vibration dampening** is handled by the hydrodynamic oil film which absorbs shock
- **Effective heat transfer** accomplished by journal surrounded by improved coolant chambers
- **Quiet operation** accomplished by full separation of mating parts

Sleevoil[®] bearings

Features/Benefits

Sleevoil R series pillow block

- 1-7/16. size is stocked as a plain pillow block
- 1-11/16. - 3-7/16. sizes are stocked as plain/water cooled (PLWC) pillow block
- 3-15/16. - 8. sizes are stocked as plain/externally cooled (PLXC) pillow blocks (standard and short series)
- PLXC liner only



**PLXC Liner assembly
(Plain/Externally cooled)**



**PLWC pillow block
(Plain/Water cooled)**



STL (Standard)



SSL (Short series)

Note:

Water cooled replacement liners (WC Rep) are also available for housings made prior to 1973 with smaller coolant pipes.

Sleevoil® bearings

Features/Benefits

Sleevoil R series pillow block

- 9. - 14. sizes



Plain pillow block



XC pillow block

Sleevoil R series pillow block

- All R series jacketed liners designated as XC can be air, oil, or water cooled.
- Thrust collars convert the expansion Bearing into a non-expansion Bearing.
- Short series housings require less shaft space and are for expansion Bearings only.
- 3-7/16, and larger bore housings are pre-machined for thermocouples, heaters, thermostats, vibration detector adapter kits, auxiliary seal kits, end cap kits and circulating oil kits.
- 3-15/16 - 8, water cooled replacement (WC repl) liners fit in the R series housings. WC repl liners have small pipes.
- PLXC Liners will not fit in old WC housings (prior to 1973); R series housing is required.

Sleevoil RTL series pillow block 3-7/16. - 12. Sizes

General operating characteristics

RTL pillow block blocks offer excellent radial and thrust load capacities. Large coolant chambers provide especially effective heat dissipation when used with circulating coolant systems. This provides exceptionally strong Bearing performance near high heat sources or gases.

The inner liner of the RTL has a center cavity which provides flooding lubrication to the thrust plates. This cavity acts as a reservoir to provide lubrication even during start-up and divides the radial area into two individual load sections. A single thrust collar is required. If a split collar is used, a shaft recess is necessary.

Coolant chambers, which cool both the thrust plates and radial load sections, are of sufficient size to allow the use of water, air, or oil as the internal coolant.

Expansion pillow blocks are furnished as standard. When non-expansion blocks are specified, a thrust collar and thrust plate kit are required.



RTL series pillow block

- Reliable high speed operation.
- Three times the thrust load capability of the R series.
- Suitable for operation near high heat sources.
- Pre-machined for thermocouples, circulating oil kit, vibration detector adapter kit, auxiliary seal kits, end cap kit, heater and thermostat.

Sleevoil[®] bearings

Features/Benefits

Dodge Sleevoil bearing isolator RTL and R-series pillow blocks

The Dodge Sleevoil bearing isolator is a fully split multi-labyrinth contact sealing system. The stator forms a complex labyrinth with the rotor to isolate the Bearing from contamination keeping the lubricating oil clean. The tortuous labyrinth path between the stator and rotor also contains internal non-metallic seals to limit direct penetration of liquid or particulate.

The Sleevoil isolator is IP56 rated and all seal components including rotor stator and o-rings are fully split for ease of assembly and disassembly.

O-rings in the bore of the rotor provide sealing along the shaft and allow for axial shaft expansion as needed.

The isolator seal is designed to retrofit an existing Sleevoil housing with dovetail grooves on either end.



- ① Setscrew provides additional clamping to the housing
- ② Seal stator
- ③ Housing o-ring seals
- ④ Rotor locating seals
- ⑤ Shaft o-ring seals
- ⑥ Seal rotor
- ⑦ Expulsion port expels contaminants from seals

Sleevoil[®] bearings

Specification/How to order

Sleevoil - Nomenclature

Sleevoil bearing nomenclature - R & RTL series:

STD	Standard series	PB	Pillow block
PLWC	Plain/Water cooled	HSG	Housing
SSL	Short series loaded	LNR	Liner assembly
STL	Standard series loaded	TC	Thrust collar
RTL	Radial thrust loaded	TPK	Thrust plate kit
PL	Plain	BTP	Bronze thrust plates
PLXC	Plain/Externally cooled		(BTP1-type 1 lower liner only; BTP2-type 2 upper & lower liner)
SSH	Short series		
XC	Externally cooled		

The product offering has 6-digit part numbers with listing shown throughout this catalog. Use of part numbers ensures accurate order processing.

Sleevoil[®] bearings

Selection



Dodge Sleeveoil application inquiry form

Please provide application data by mail, phone or fax:

Sleevoil bearing application engineering

Matt Kelly - matthew.kelly@baldor.abb.com (864) 281-2480

Yogi Sharma - yogi.sharma@baldor.abb.com (864) 281-2273

Company name: _____
 Address: _____
 Contact name: _____
 Customer reference: _____
 Installation and arrangement: _____

Date: _____
 Response required by: _____
 Phone (_____) _____
 Fax: (_____) _____

Bearing size in inches:

Shaft speed: Constant _____ RPM
 Variable speed - max RPM _____ Min RPM _____
 Turning gear _____

Type of coolant:

plain (None) water air plain - circ oil Water cooled - circ oil

Preferred lubricant: SAE10 SAE 20 SAE30 Other _____
 ISO 32 ISO 68 ISO 100

Expected temperature:

Ambient Max _____ °C Min _____ °C Water Inlet Max _____ °C Min _____ °C
 Air Inlet Max _____ °C Min _____ °C Oil Inlet Max _____ °C Min _____ °C
 Air velocity over bearing housing (FPM): _____

Fixed bearing (Non-expansion)

RTL STL RXT
 Loading: Base Cap

Fixed bearing radial load: _____ N
 Fixed bearing thrust load: _____ N

Cooling wheel: Yes No

External heat source (Fan temperature): _____ °C
 Closest part of bearing to heat source: Fixed bearing _____ mm

Direction of resultant load: Fixed bearing

Free bearing (Expansion)

RTL STL SSL RXT
 Base Cap

Free bearing radial load: _____ N

Yes No

Free bearing _____ mm

Free bearing

Please state any unusual conditions such as shock loads changes in thrust loads, low speed requirements, hot shaft start-ups, environmental conditions (dust, chemicals gases etc):

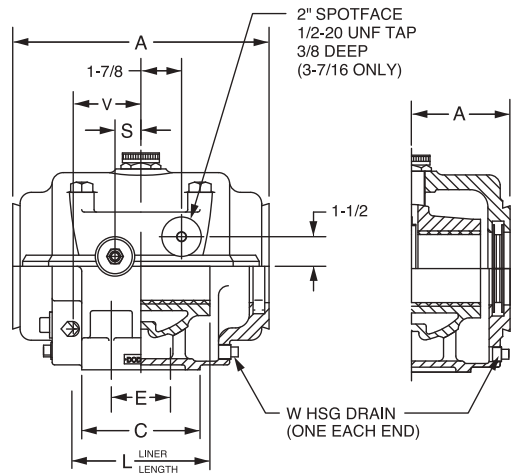
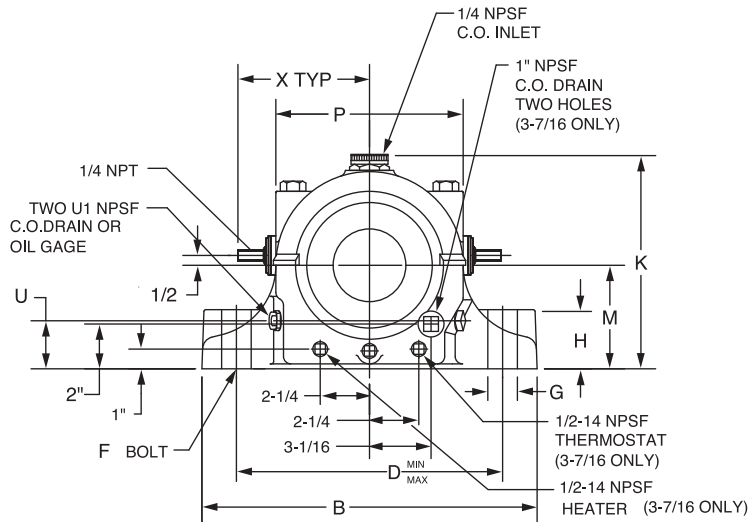
Dodge / P.O. Box 499 / 6040 Ponders Ct. / Greenville, S.C. 29602 - 0499 / 864-297-4800

Sleevoil® bearings

Selection/Dimensions

Sleevoil - R series

1-7/16. thru 3-7/16. plain-water cooled standard and short series Sleevoil pillow blocks



STANDARD SERIES

SHORT SERIES

Shaft size (in.)	Expansion pillow blocks		Expansion pillow blocks		Split thrust collar		Neoprene end Covers**		Hose kits		Replacement PL-WC liner assemblies	
	STD		SSH (Short series expansion only)		2 collars required to make a non-expansion pillow blocks							
	Part no.	kg	Part no.	kg	Part no.	kg	Part no.	kg	Part no.	kg	Part no.	kg
1-7/16	132983	9.3	133245	0.3	133980	0.05	133344	0.23	133203	1.6
1-11/16	132984	13.9	133250	0.5	133981	.12	133344	0.23	133583	2.9
1-15/16	132985	14.3	133255	0.5	133982	.12	133344	0.23	133584	3.2
2-3/16	132986	21.7	133260	0.8	133983	.12	133344	0.23	133585	5.4
2-7/16	132987	29.7	133265	1.2	133984	.12	133344	0.23	133586	5.3
2-11/16	132988 ⊗	44.0	133270	1.9	133985	.12	133344	0.23	132959 ⊗	12.2
2-15/16	132989 ⊗	41.9	132991 ⊗	40.82	133275	1.7	133986	.18	133344	0.23	132950 ⊗	10.0
	STL	STL	SSL						133344	0.23		
3-7/16	132990 ⊗	65.3	132992 ⊗	62.60	133280	2.8	133987	0.14	133344	0.23	132951 ⊗	22.7

Sleevoil® bearings

Selection/Dimensions

Sleevoil - R series

1-7/16. thru 3-7/16. plain-water cooled standard and short series Sleevoil pillow blocks

Shaft size (in.)	A		B		C		D (Min.-Max.)		E	F bolt dia. (in.)				G	
	STD	SSH	STD	SSH	STD	SSH	STD	SSH		5/8	3/4	3/4	3/4	STD	SSH
1-7/16	165.1	241.3	69.8	177.8-190.5	##	5/8	25.4	
1-11/16	196.8	266.7	76.2	196.8-209.6	##	5/8	25.4	
1-15/16	196.8	266.7	76.2	196.8-209.6	##	5/8	25.4	
2-3/16	234.9	317.5	88.9	231.8-250.8	##	3/4	31.8	
2-7/16	266.7	342.9	101.6	257.2-276.2	##	3/4	31.8	
2-11/16	292.1	381.0	114.3	279.4-304.8	##	7/8	38.1	
2-15/16	292.1	222.2	381.0	381.0	114.3	146.1	279.4-304.8	276.2-308.0	##	69.8	7/8	3/4	38.1	38.1	
	STL	SSL	STL	SSL	STL	SSL	STL	SSL	STL	SSL	STL	SSL	STL	SSL	
3-7/16	330.2	254.0	431.8	431.8	152.4	152.4	328.6-357.2	328.6-357.2	76.2	76.2	3/4	3/4	38.1	38.1	

Shaft size (in.)	H		K		L		M		P		S		U	
	STD	SSH	STD	SSH	STD	SSH	STD	SSH	STD	SSH	STD	SSH	STD	SSH
1-7/16	38.1	152.4	76.2	69.8	117.5	28.6
1-11/16	44.5	171.4	88.9	79.4	136.5	22.2	34.9
1-15/16	44.5	171.4	101.6	79.4	136.5	22.2	34.9
2-3/16	50.8	203.2	114.3	95.2	161.9	22.2	38.1
2-7/16	60.3	222.2	127.0	104.8	181.0	27.0	41.3
2-11/16	62.7	244.5	139.7	115.9	200.0	28.6	47.6
2-15/16	62.7	38.1	244.5	244.5	152.4	152.4	115.9	115.9	200.0	200.0	28.6	28.6	47.6	44.5
	STL	SSL	STL	SSL	STL	SSL	STL	SSL	STL	SSL	STL	SSL	STL	SSL
3-7/16	76.2	76.2	279.4	279.4	177.8	177.8	133.3	133.3	238.1	238.1	33.3	33.3	50.8	50.8

Shaft size (in.)	U1(in.)		V		W (in.)		X
	STD	SSH	STD	SSH	STD	SSH	
1-7/16	1/2	52.4	1/4
1-11/16	1/2	57.1	1/4	95.2
1-15/16	1/2	57.1	1/4	95.2
2-3/16	1/2	63.5	1/4	120.7
2-7/16	1/2	74.6	1/4	120.7
2-11/16	1/2	79.4	1/4	130.2
2-15/16	1/2	1/2	79.4	90.5	1/4	1/4	130.2
	STL	SSL	STL	SSL	STL	SSL	
3-7/16	3/4	1/2	98.4	98.4	1/2	1/2	139.7

2-bolt base

3-7/16 Heater (434719)

2-7/16, 2-11/16, 2-15/16 Heater (132834) to be used with thermostat (133116)

Dimensions in mm unless noted otherwise.

** Used to close one end of pillow block. One required for sizes 1-7/16 thru 2-15/16. Two required for 3-7/16.

V Pillow block and liner are pre-drilled for thermocouple (2 places)

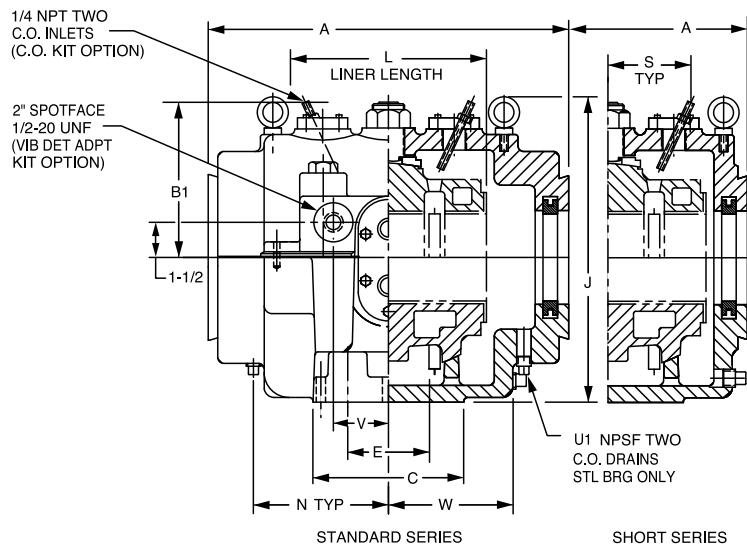
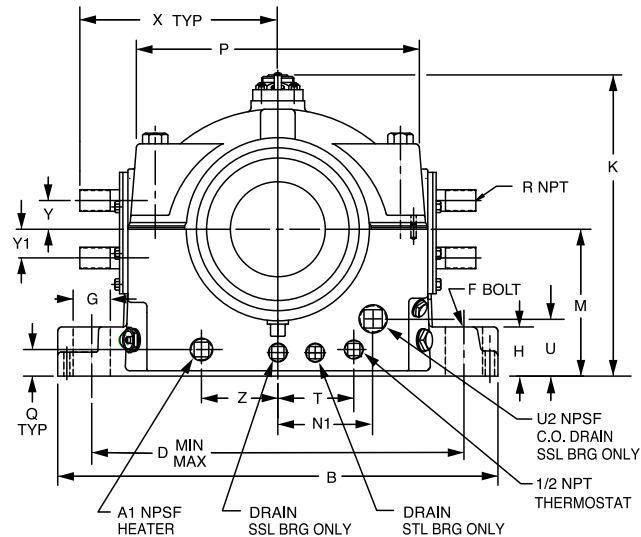
STL & SSL are pre-drilled for accessories: thermocouple, circulating oil, vibration detector, heater and thermostat

Sleevoil[®] bearings

Selection/Dimensions

Sleevoil - R series

3-15/16. thru 8. plain / externally cooled standard and short series Sleevoil pillow blocks



Shaft size (in.)	Pillow block assemblies		Expansion pillow blocks		Split thrust collars		Replacement liner assemblies ⊗			
	Expansion pillow blocks		Expansion pillow blocks		2 collars required to make a non-expansion STL pillow block		PL-XC externally cooled		WC (Prior to 1973 hsg) replacement	
	STL	SSL (Short series expansion only)	Part no.	kg	Part no.	kg	Part no.	kg	Part no.	kg
3-15/16	134200	91.2	134207	87.5	133285	3.3	132952	23.1	133590	24.5
4-7/16	134201	122.9	134208	115.7	133292	3.6	132953	32.2	133591	29.5
4-15/16	134202	164.2	134209	147.0	133293	5.1	132954	41.7	133592	41.3
5-7/16	134203	213.2	134210	209.6	133294	5.6	132955	59.0	133593	51.7
6	134204	271.2	134211	258.5	133295	6.9	132956	71.7	133594	71.7
7	134205	400.1	134212	383.3	133296	14.2	132957	104.3	133595	98.0
8	134206	588.8	134213	569.7	133297	22.1	132958	168.7	133596	170.1

Sleevoil® bearings

Selection/Dimensions

Sleevoil - R series

3-15/16. thru 8. plain / externally cooled standard and short series Sleevoil pillow blocks

Shaft size (in.)	Optional accessories										Pipe grommet kits >	
	Auxiliary seal kits ##		Housing end cap kits		Heater / Thermostat * 120 Volt		Circulating oil inlet kits >		Neoprene end Covers ⊗⊗			
	Part no.	kg.	Part no.	kg	Part no.	kg	Part no.	kg	Part no.	kg	Part no.	kg
3-15/16	432181	2.9	432190	2.8	434721	0.7	432153	0.9	133988	0.1	132192	0.7
4-7/16	432184	3.2	432193	3.1	434721	0.7	430198	0.9	133989	0.2	132192	0.7
4-15/16	432187	3.4	432196	3.3	434721	0.7	430198	0.9	133990	0.2	132193	1.1
5-7/16	133932	5.6	132546	5.3	434721	0.9	430155	0.9	133991	0.3	132193	1.1
6	133933	6.7	132547	4.8	434725	1.1	430155	0.9	133992	0.4	132198	1.6
7	133937	8.6	132548	6.1	434725	1.1	430155	0.9	133993	0.5	132198	1.6
8	133938	11.3	132549	7.0	434727	1.4	430155	0.9	133994	0.6	132198	1.6

Shaft size (in.)	A		B	C	D (Min.-Max.)	E	F bolt dia. (in.)	G	H		J	
	STL	SSL							STL	SSL	STL	SSL
3-15/16	381.0	279.4	482.6	177.8	362.0 - 400.1	88.9	7/8	44.5	76.2	50.8	306.4	320.7
4-7/16	419.1	317.5	520.7	190.5	387.4 - 425.5	101.6	1	50.8	88.9	88.9	371.5	371.5
4-15/16	463.6	349.2	571.5	215.9	422.3 - 479.4	114.3	1	63.5	79.4	63.5	403.2	403.2
5-7/16	501.6	387.4	622.3	241.3	463.6 - 514.4	127.0	1-1/8	57.1	95.2	69.8	435.0	435.0
6	539.8	412.8	660.4	266.7	498.5 - 555.6	139.7	1-1/4	63.5	101.6	76.2	447.7	469.9
7	622.3	476.2	755.6	317.5	574.7 - 644.5	165.1	1-1/2	76.2	130.2	88.9	493.7	533.4
8	704.9	533.4	863.6	368.3	650.9 - 733.4	190.5	1-3/4	88.9	149.2	101.6	541.3	596.9

Shaft size (in.)	K	L	M	N		P	Q	R pipe (in.)		T		U	U1 (in.)		U2 (in.)	
				STL	SSL			PLXC	WC rep't	STL	SSL		STL	SSL	STL	SSL
3-15/16	303.2	203.2	146.1	150.8	66.7	257.2	31.8	1	1/2	54.0	54.0	68.3	3/4	3/4		
4-7/16	352.4	228.6	158.8	161.9	85.7	292.1	34.9	1	1/2	76.2	50.8	71.4	3/4	1		
4-15/16	382.6	254.0	177.8	179.4	95.2	317.5	33.3	1-1/4	1/2	73.0	50.8	84.1	1	1-1/4		
5-7/16	404.8	279.4	190.5	193.7	111.1	349.2	39.7	1-1/4	1/2	85.7	63.5	76.2	1	1-1/4		
6	457.2	304.8	209.6	209.6	114.3	374.6	44.5	1-1/4	3/4	98.4	69.8	79.4	1	1-1/4		
7	514.4	355.6	241.3	242.9	127.0	431.8	50.8	1-1/4	3/4	127.0	76.2	95.2	1-1/4	1-1/4		
8	571.5	406.4	273.1	279.4	146.1	482.6	50.8	1-1/4	3/4	133.3	101.6	115.9	1-1/4	1-1/4		

Shaft size (in.)	V	W	X	Y		Y1		Z	A1 (in.)	B1
				PLXC	WC Rep't	PLXC	WC Rep't			
3-15/16	76.2	127.0	217.5	31.8	25.4	31.8	25.4	54.0	3/4	179.4
4-7/16	88.9	142.9	233.4	31.8	25.4	31.8	25.4	76.2	3/4	193.7
4-15/16	88.9	154.0	254.0	38.1	25.4	44.5	25.4	73.0	3/4	203.2
5-7/16	88.9	171.4	263.5	38.1	25.4	44.5	25.4	85.7	3/4	222.2
6	101.6	184.2	284.2	44.5	31.8	50.8	31.8	98.4	1	250.8
7	114.3	212.7	328.6	44.5	31.8	50.8	31.8	127.0	1	276.2
8	127.0	244.5	376.2	44.5	31.8	50.8	31.8	133.3	1-1/4	304.8

One required per pillow block end

> One required per pillow block

* 220 volt heaters available. See page 8-24.

** 2-1/4. on STL; 2. on SSL

Dimensions in mm unless noted otherwise.

⊗ To differentiate between XC and water cooled replacement liners see .R. dimensions (pipe size)

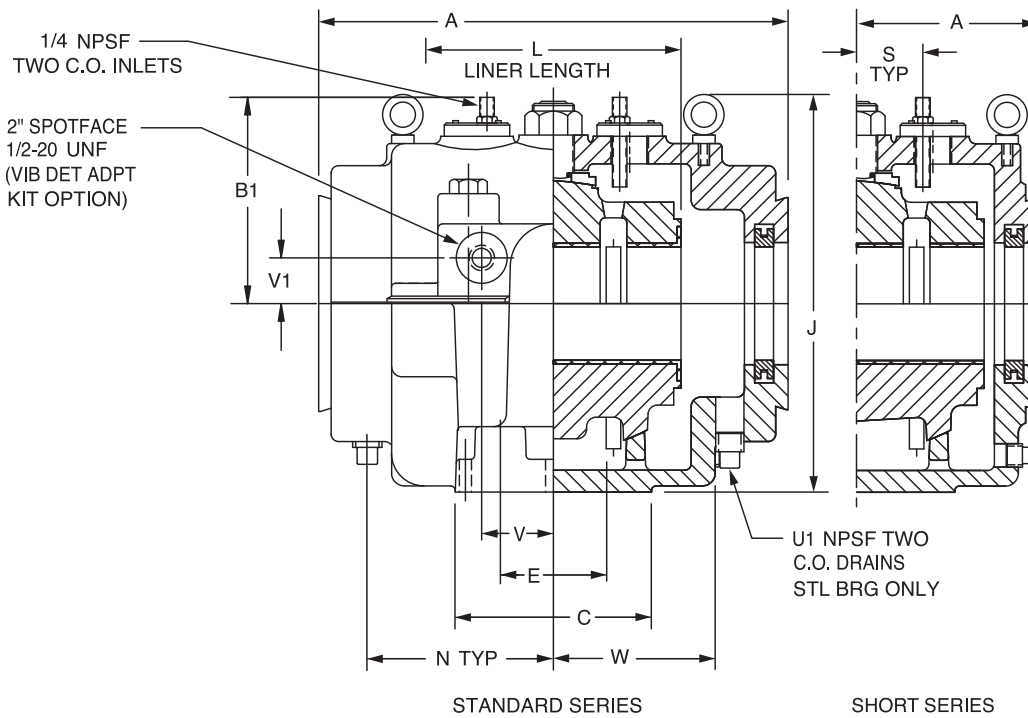
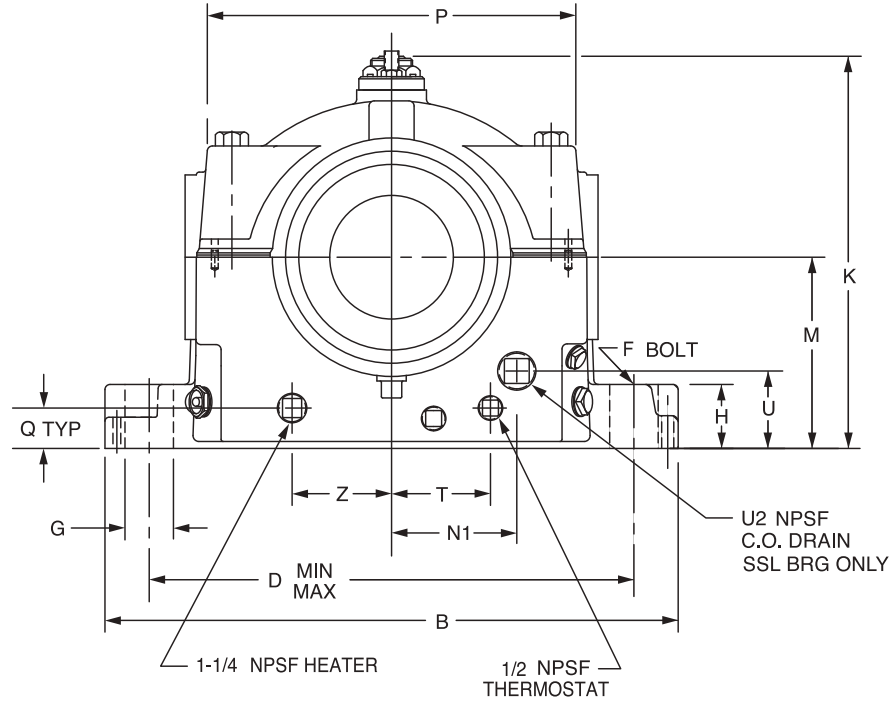
⊗⊗ Two required per 3-15/16 thru 4-15/16 sizes; three for 5-7/16 and larger
All sizes are pre-machined for accessories: thermocouples, circulating oil, vibration detector, heater and thermostat

Sleevoil[®] bearings

Selection/Dimensions

Sleevoil - R series

9., 10., 12. & 14. plain Sleevoil pillow blocks



Sleevoil[®] bearings

Selection/Dimensions

Sleevoil - R series

9., 10., 12. & 14. plain Sleevoil pillow blocks

Shaft size (in.)	Plain expansion pillow blocks				Split thrust collars	
	STL		SSL (Short series expansion only)		2 collars required to make a non-expansion STL pillow blocks	
	Part no.	kg	Part no.	kg	Part no.	kg
9	132766	560	132924	530	133959	24.5
10	132767	563	132925	501	133960	23.6
12	132768	907	132926	810	133961	30.8
14	431399	1542	430561	1361	431389	34.0

Shaft size (in.)	Auxiliary seal kits ##		Housing end cap kits		Heater / Thermostat * 120 volt		Circulating oil inlet kits >		Neoprene end Covers##		Replacement plain liner assemblies	
	Part no.	kg	Part no.	kg	Part no.	kg	Part no.	kg	Part no.	kg	Part no.	kg
9	132814	10.5	132564	7.2	434727	1.4	430155	0.9	133996	0.7	133550	148.3
10	132816	11.0	132565	7.4	434727	1.4	430155	0.9	133995	0.7	133669	204.1
12	132819	18.1	132566	11.3	434729	1.8	430155	0.9	133997	0.9	133392	294.8
14	132822	16.3	132567	11.3	434729	1.8	430155	0.9	430831	544.3

Shaft size (in.)	A		B	C	D (Min.-Max.)	E	F-bolt (in.)	G	H	J		
	STL	SSL	STL & SSL	STL & SSL	STL & SSL	STL & SSL	STL & SSL	STL & SSL	STL	SSL	STL	SSL
9	704.9	533.4	863.6	368.3	650.9 - 733.4	190.5	1-3/4	88.9	149.2	101.6	568.3	596.9
10	704.9	533.4	863.6	368.3	650.9 - 733.5	190.5	1-3/4	88.9	149.2	101.6	568.3	596.9
12	762.0	590.5	1016.0	431.8	793.8 - 882.7	228.6	2	101.6	171.4		744.5	744.5
14	863.6	666.8	1171.6	457.2	927.1 - 1028.7	254.0	2	101.6	177.8	...	892.2	892.2

Shaft size (in.)	K	L	M	N	N1	P	S	T	U	U1 (in.)	U2 (in.)	V	Kg		
	STL & SSL	STL & SSL	STL & SSL	STL	SSL	STL & SSL	STL & SSL	STL	SSL	SSL	STL	SSL	STL & SSL	STL	SSL
9	571.5	406.4	273.1	279.4	139.7	482.6	76.2	133.3	101.6	85.7	1-1/4	1-1/4	127.0	560.2	529.8
10	571.5	406.4	273.1	279.4	139.7	482.6	76.2	133.3	101.6	98.4	1-1/4	1-1/4	127.0	562.5	501.2
12	717.5	457.2	342.9	314.3	196.8	603.2	88.9	177.8	177.8	131.8	1-1/2	1-1/2	177.8	907.2	809.7
14	828.7	508.0	406.4	730.2	1-1/2

Shaft Size (in.)	V1		W	Z	B1
	STL	SSL	STL & SSL	STL & SSL	STL
9	38.1	38.1	244.5	133.3	304.8
10	38.1	38.1	244.5	133.3	304.8
12	50.8	50.8	279.4	177.8	368.3
14	306.4

One required per pillow block end

> One required per pillow block

* 220 volt heaters available. See page 8-24.

All housings are pre-machined for accessories; thermocouples, circulating oil, vibration detector, heater and thermostat

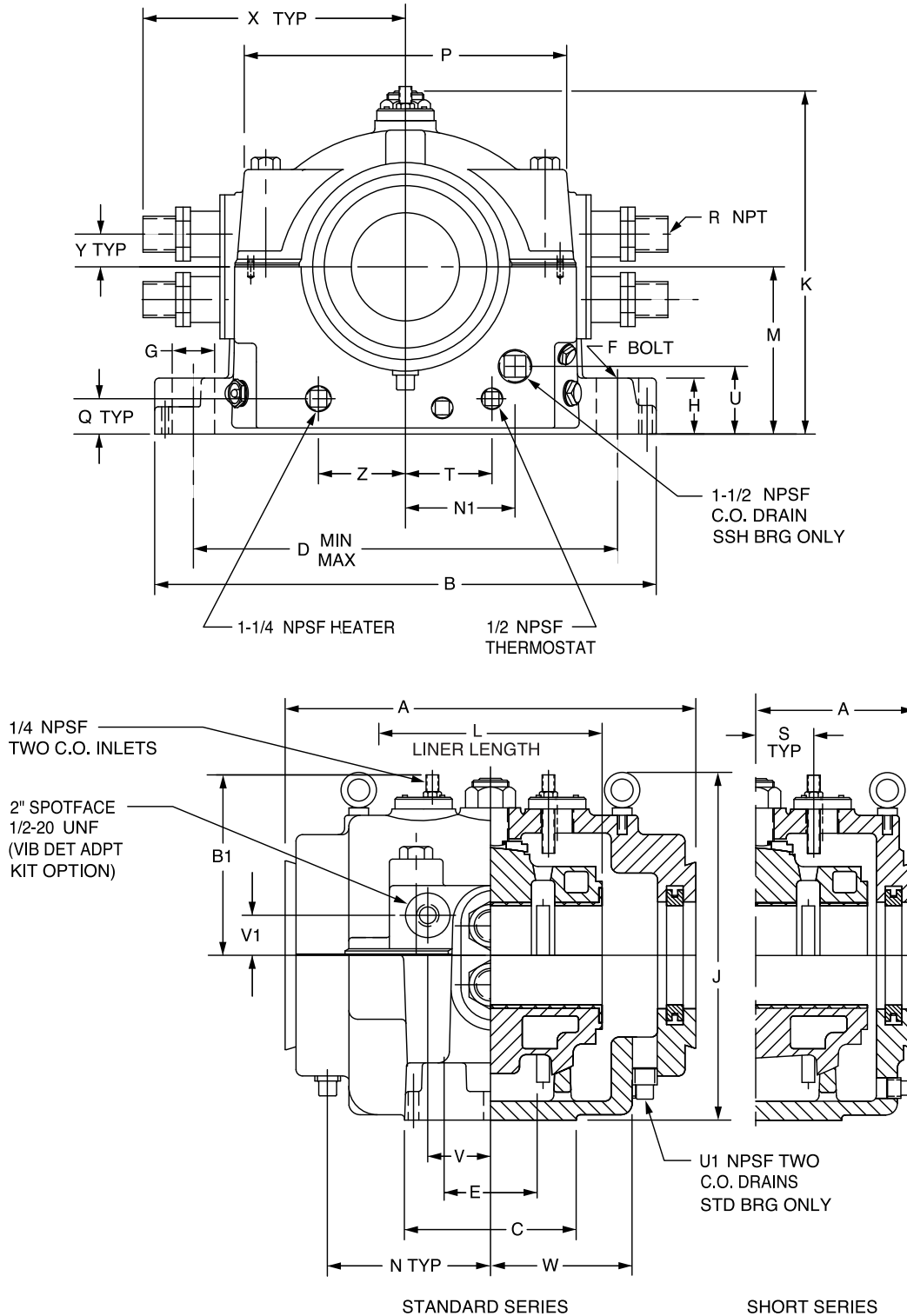
Dimensions in mm unless noted otherwise.

Sleevoil® bearings

Selection/Dimensions

Sleevoil - R series

9., 10., 12. XC Sleevoil pillow blocks



Sleevoil® bearings

Selection/Dimensions

Sleevoil - R series

9., 10., 12. XC Sleevoil pillow blocks

Shaft size (in.)	Expansion pillow blocks XC (Externally cooled) (Short series expansion only)				2 collars required to make a non-expansion STL pillow block	
	STL-XC		SSL-XC		XC Split Thrust Collars	
	Part no.	kg	Part no.	kg	Part no.	kg
9	132538 ⊗	726	133565 ⊗	680	133303	25.9
10	132539 ⊗	907	133566 ⊗	794	133304	33.6
12	132559 ⊗	1497	133305

Shaft size (in.)	Auxiliary seal kits ##		Housing end cap kits		Heater / Thermostat * XC 120 volt		Circulating oil inlet kits >		Neoprene end closure ##		Liner assemblies XC	
	Part no.	kg	Part no.	kg	Part no.	kg	Part no.	kg	Part no.	kg	Part no.	kg
9	132814	10.5	132564	7.2	434729	1.8	430155	0.9	133996	0.7	132591	136
10	132816	11.0	132565	7.4	434729	1.8	430155	0.9	133995	0.7	132594	181
12	132819	18.1	132566	11.3	434729	1.8	133997	0.9	132597	272

Shaft size (in.)	A		B		C		D (Min.-Max.)		E	
	STL	SSL	STL	SSL	STL	SSL	STL	SSL	STL	SSL
9	736.6	565.1	939.8	939.8	393.7	393.7	720.7 - 803.3	720.7 - 803.3	203.2	203.2
10	762.0	590.5	1016.0	1016.0	431.8	431.8	793.8 - 882.7	793.8 - 882.7	228.6	228.6
12	863.6	...	1168.4	...	457.2	...	930.3 - 1025.5	254.0

Shaft size (in.)	F-Bolt (in.)		G		H		J		K		L	M
	STL	SSL	STL	SSL	STL	SSL	STL	SSL	STL	SSL	XC	STL & SSL
9	1-3/4	1-3/4	88.9	88.9	152.4	152.4	681.0	679.5	647.7	647.7	431.8	304.8
10	2	2	101.6	101.6	171.4	171.4	744.5	743.0	717.5	717.5	457.2	342.9
12	2	104.8	177.8	882.6	744.5	839.8	508.0	406.4

Shaft size (in.)	N	N1	P	Q	R pipe (in.)	S	T	U	U1 (in.)	V	V1	
	STL	SSL	STL	SSL	STL & SSL	XC	STL & SSL	STL & SSL	SSL	STL	STL & SSL	STL & SSL
9	301.6	146.1	552.5	552.5	63.5	1-1/4	85.7	161.9	130.2	1-1/2	127.0	38.1
10	314.3	139.7	603.2	603.2	76.2	1-1/2	88.9	177.8	155.6	1-1/2	177.8	50.8
12	730.2	2

Shaft size (in.)	W		X	Y	Z	B1	
	STL	SSL	XC	XC	STL & SSL	STL	SSL
9	269.9	269.9	412.8	57.2	161.9	346.1	346.1
10	279.4	279.4	444.5	66.7	177.8	368.3	368.3
12	306.4	514.4

One required per pillow block end
 > One required per pillow block
 Dimensions in mm unless noted otherwise.

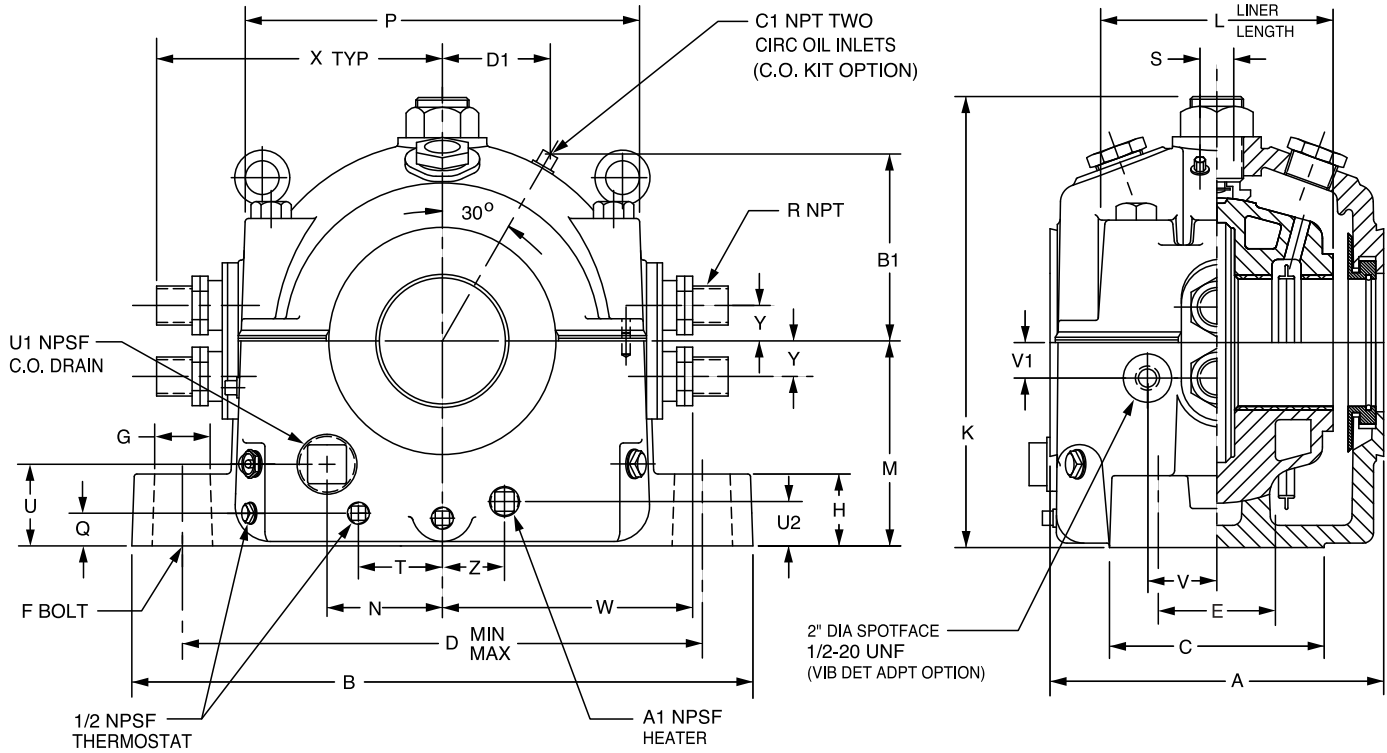
⊗ All housings are pre-machined for accessories; thermocouples, circulating oil, vibration detector, heater and thermostat
 X Assembled-to-order, Not .L. version
 * 220 volt heaters available. See page 8-24.

Sleevoil® bearings

Selection/Dimensions

Sleevoil - RTL series

3-7/16. thru 12. RTL Sleevoil pillow blocks



Shaft size (in.)	Expansion pillow blocks		One of each required to make a non-expansion pillow block				Auxiliary seal kits # #		Housing end cap kits		Heater / Thermostat *	
	Part no.	kg	Thrust plate kits Part no.	kg	Split thrust collar ⊗ ⊗ Part no.	kg	Part no.	kg	Part no.	kg	Part no.	kg
3-7/16	132474	190	137101	1.3	132151	1.1	132811	2.2	132542	2.4	434721	0.5
3-15/16	132475	230	137102	2.0	132152	2.0	432181	2.9	432190	2.8	434725	1.1
4-7/16	132476	300	137103	2.4	132153	2.4	432184	3.2	432193	3.1	434725	1.1
4-15/16	132477	425	137104	3.1	132154	3.1	432187	3.4	432196	3.3	434727	1.4
5-7/16	132383	500	137105	4.6	132155	4.6	133932	5.6	132546	5.3	434727	1.4
6	132384	825	137106	5.8	132156	5.8	133933	6.7	132547	4.8	434727	1.4
7	132385	978	137107	8.0	132157	8.0	133937	8.6	132548	6.1	434729	1.8
8	132386	1310	137108	10.5	132158	10.5	133938	11.3	132549	7.0	434729	1.8
9	132387	1650	137109	19.3	132159	19.3	132814	10.5	132564	7.2	434729	1.8
10	132388	2150	137110	23.9	132160	23.9	132816	11.0	132565	7.4	434729	1.8
12	132389	3500	137111	33.6	132161	33.6	132819	18.1	132566	11.3	434735	3.0

* 220 volt heaters available. See page 8-24.

Sleevoil® bearings

Selection/Dimensions

Sleevoil - RTL series

3-7/16. thru 12. RTL Sleevoil pillow blocks

Shaft size (in.)	Circulating oil inlet kits >		Replacement liner assemblies		A	B	C	D (Max.-Min.)	E	F dia. bolt (in.)	G	H	K
	Part no.	kg	Part no.	kg									
3-7/16	132203	0.9	132420	21	254.0	476.2	152.4	409.6 - 377.8	76.2	3/4	38.1	50.8	319.1
3-15/16	132203	0.9	132421	30	273.1	527.1	177.8	457.2 - 419.1	88.9	7/8	44.5	57.1	346.1
4-7/16	132203	0.9	132422	37	298.4	552.5	190.5	479.4 - 435.0	101.6	1	50.8	63.5	387.4
4-15/16	132203	0.9	132423	51	323.9	616.0	215.9	542.9 - 498.5	114.3	1	50.8	69.8	441.3
5-7/16	132203	0.9	132424	65	355.6	679.5	241.3	590.6 - 539.8	127.0	1-1/8	57.1	82.5	479.4
6	132205	0.9	132425	83	406.4	736.6	266.7	638.2 - 571.0	139.7	1-1/4	63.5	88.9	511.2
7	132205	0.9	132426	117	457.2	838.2	317.5	733.4 - 663.6	165.1	1-1/2	76.2	101.6	568.3
8	132205	0.9	132427	187	501.6	965.2	355.6	841.4 - 758.8	190.5	1-3/4	88.9	114.3	655.6
9	132205	0.9	132428	283	577.9	1054.1	393.7	930.3 - 847.7	203.2	1-3/4	88.9	127.0	717.5
10	132205	0.9	132429	433	622.3	1206.5	431.8	1063.6 - 968.4	228.6	2	101.6	152.4	860.4
12	132205	0.9	132430	637	736.6	1244.6	457.2	1108.1 - 1063.6	254.0	2	76.2	165.1	939.8

Shaft size (in.)	L	M	N	P	Q	R (in.)	S	T	U	U1 (in.)	U2
3-7/16	171.4	149.2	92.1	295.3	28.6	3/4	34.9	...	69.8	1-1/2	28.6
3-15/16	184.2	165.1	112.7	327.0	28.6	1	38.1	...	74.6	1-1/2	31.8
4-7/16	203.2	177.8	114.3	349.2	31.8	1	38.1	...	74.6	1-1/2	34.9
4-15/16	225.4	196.8	130.2	406.4	31.8	1-1/4	41.3	...	82.5	2	38.1
5-7/16	254.0	222.2	146.1	438.1	41.3	1-1/4	50.8	74.6	95.2	2	47.6
6	276.2	241.3	158.8	476.2	41.3	1-1/4	54.0	88.9	101.6	2	47.6
7	317.5	273.1	174.6	539.8	50.8	1-1/4	57.1	101.6	108.0	2	50.8
8	358.8	308.0	215.9	616.0	57.1	2	60.3	139.7	120.7	2	57.1
9	412.8	342.9	233.4	692.1	57.1	2	76.2	139.7	128.6	2	57.1
10	450.9	406.4	279.4	787.4	73.0	2-1/2	79.4	215.9	141.3	2-1/2	73.0
12	527.1	450.9	315.9	901.7	79.4	3	82.5	228.6	155.6	2-1/2	79.4

Shaft size (in.)	V	V1	W±4.8	X	Y	Z	A1 (in.)	B1	C1 (in.)	D1
3-7/16	82.5	19.1	193.7	247.7	31.8	90.5	3/4	184.2	1/4	106.4
3-15/16	76.2	38.1	220.7	249.2	31.8	103.2	1	195.3	1/4	115.9
4-7/16	82.5	41.3	231.8	260.4	31.8	112.7	1	206.4	1/4	117.5
4-15/16	95.2	44.5	273.1	315.9	47.6	136.5	1-1/4	215.9	1/4	125.4
5-7/16	101.6	44.5	290.5	327.0	47.6	142.9	1-1/4	230.2	1/4	133.3
6	95.2	50.8	309.6	342.9	47.6	155.6	1-1/4	276.2	3/8	160.3
7	114.3	50.8	335.0	371.5	47.6	174.6	1-1/4	306.4	3/8	176.2
8	127.0	50.8	398.5	454.0	57.1	212.7	1-1/4	333.4	3/8	182.6
9	139.7	50.8	435.0	488.9	57.1	230.2	1-1/4	360.4	3/8	208.0
10	152.4	50.8	503.2	571.5	69.8	269.9	1-1/4	384.2	3/8	222.2
12	165.1	50.8	558.8	616.0	88.9	308.0	1-1/4	495.3	3/8	242.9

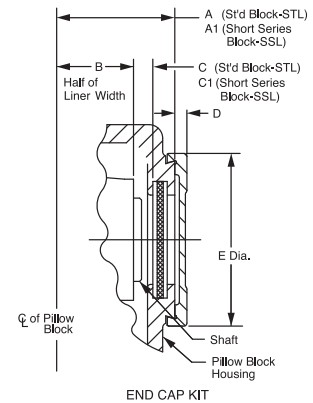
- ## One required per pillow block end
- > One required per pillow block
- * 220 volt heaters available. See page 8-24.
- ⊗ For recessed shaft

All sizes are pre-machined for accessories; thermocouples, circulating oil, vibration detector, heater and thermostat
 Dimensions in mm unless noted otherwise.

Sleevoil[®] bearings

Modification/Accessories

Sleevoil traditional (Inch)
3-7/16. thru 14. end cap kits
Sleevoil accessories



Bore size (in.)	Pillow block style	End cap kits				A STL	A1 SSL	B #	C # STL	C1 # SSL
		Part no.	Kg	D	E					
3-7/16	Plain/Water cooled STL and SSL	132542	2.4	12.7	181.0	165.1	123.8	88.9	53.2	11.9
3-15/16	PLXC, STL and SSL	432190	2.8	12.7	203.2	190.5	139.7	101.6	66.7	15.9
4-7/16	PLXC, STL and SSL	432193	3.1	12.7	222.2	209.6	158.8	114.3	69.1	18.3
4-15/16	PLXC, STL and SSL	432196	3.3	12.7	231.8	231.8	174.6	127.0	78.6	21.4
5-7/16	PLXC, STL and SSL	132546	5.3	12.7	266.7	250.8	193.7	139.7	78.6	21.4
6	PLXC, STL and SSL	132547	4.8	12.7	292.1	269.9	206.4	152.4	84.9	21.4
7	PLXC, STL and SSL	132548	6.1	12.7	319.1	311.1	238.1	177.8	99.2	26.2
8	PLXC, STL and SSL	132549	7.0	12.7	368.3	352.4	266.7	203.2	115.1	29.4
9	STL Plain	132564	7.2	12.7	368.3	352.4	203.2	115.1
	XC	132564	7.2	12.7	368.3	368.3	215.9	118.3
	SSL Plain	132564	7.2	12.7	368.3	266.7	203.2	29.4
	SSL	132564	7.2	12.7	368.3	282.6	215.9	32.5
10	XC	132564	7.2	12.7	368.3	11-1/8	8-1/2	1-9/32
	STL Plain	132565	7.4	12.7	368.3	352.4	203.2	115.1
	STL XC	132565	7.4	12.7	368.3	381.0	228.6	118.3
	SSL Plain	132565	7.4	12.7	368.3	266.7	203.2	29.4
12	SSL XC	132565	7.4	12.7	368.3	295.3	228.6	32.5
	STL Plain	132566	11.8	12.7	476.2	381.0	228.6	118.3
14	STD Plain	132567	12.0	12.7	476.2	431.8	254.0	143.7

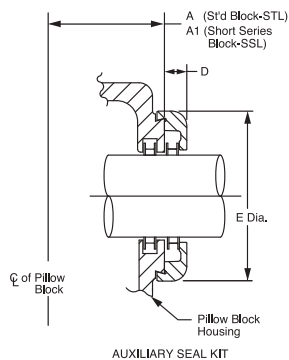
Bore size (in.)	Pillow block style	End cap kits				A	B #	C #
		Part no.	Wt.	D	E			
3-7/16	RTL	132542	2.4	12.7	181.0	127.0	85.7	21.4
3-15/16	RTL	432190	2.8	12.7	203.2	136.5	92.1	23.0
4-7/16	RTL	432193	3.1	12.7	222.2	149.2	101.6	26.2
4-15/16	RTL	432196	3.3	12.7	231.8	161.9	112.7	27.8
5-7/16	RTL	132546	5.3	12.7	266.7	177.8	127.0	29.4
6	RTL	132547	4.8	12.7	292.1	203.2	138.1	34.1
7	RTL	132548	6.1	12.7	319.1	228.6	158.8	38.9
8	RTL	132549	7.0	12.7	368.3	250.8	179.4	40.5
9	RTL	132564	7.2	12.7	368.3	288.9	206.4	51.6
10	RTL	132565	7.4	12.7	368.3	311.1	225.4	51.6
12	RTL	132566	11.8	12.7	476.2	368.3	263.5	70.6

B+C (OR B+C1) = max. shaft penetration from center line of pillow block

Sleevoil® bearings

Modification/Accessories

Sleevoil traditional (Inch)
3-7/16. thru 14. auxiliary seal kits
Sleevoil accessories



Bore size (in.)	Pillow block		Auxiliary seal kits				A STL	A1 SSL
	Style	Part no.	Kg	D	E			
3-7/16	Plain/Water cooled STL and SSL	132811	2.2	23.8	181.0	165.1	123.8	
3-15/16	PLXC, STL and SSL	432181	2.9	23.8	203.2	190.5	139.7	
4-7/16	PLXC, STL and SSL	432184	3.2	25.4	222.2	209.6	158.8	
4-15/16	PLXC, STL and SSL	432187	3.4	25.4	231.8	231.8	174.6	
5-7/16	PLXC, STL and SSL	133932	5.6	33.3	266.7	250.8	193.7	
6	PLXC, STL and SSL	133933	6.7	33.3	292.1	269.9	206.4	
7	PLXC, STL and SSL	133937	8.6	36.5	319.1	311.1	238.1	
8	PLXC, STL and SSL	133938	11.3	36.5	368.3	352.3	266.7	
9	STL Plain	132814	10.5	33.3	368.3	352.4	
	STL XC	132814	10.5	33.3	368.3	368.3	
	SSL Plain	132814	10.5	33.3	368.3	266.7	
	SSL XC	132814	10.5	33.3	368.3	282.6	215.9	
10	STL Plain	132816	10.0	33.3	368.3	352.4	
	STL XC	132816	10.0	33.3	368.3	381.0	
	SSL Plain	132816	10.0	33.3	368.3	266.7	
	SSL XC	132816	10.0	33.3	368.3	295.3	228.6	
12	STL Plain	132819	14.5	33.3	476.2	381.0	
14	STD Plain	132822	13.6	33.3	476.2	431.8	

Bore size (in.)	Pillow block		Auxiliary seal kits				A
	Style	Part no.	Kg	D	E		
3-7/16	RTL	132811	2.2	23.8	181.0	127.0	
3-15/16	RTL	432181	2.9	23.8	203.2	136.5	
4-7/16	RTL	432184	3.2	25.4	222.2	149.2	
4-15/16	RTL	432187	3.4	25.4	231.8	161.9	
5-7/16	RTL	133932	5.6	33.3	266.7	177.8	
6	RTL	133933	6.7	33.3	292.1	203.2	
7	RTL	133937	8.6	36.5	319.1	228.6	
8	RTL	133938	11.3	36.5	368.3	250.8	
9	RTL	132814	10.5	33.3	368.3	288.9	
10	RTL	132816	10.0	33.3	368.3	311.1	
12	RTL	132819	14.5	33.3	476.2	368.3	

Dimensions in mm unless noted otherwise.

Sleevoil[®] bearings

Modification/Accessories

Sleevoil - RTL series

3-7/16. thru 12. RTL replacement part kits

Shaft size (in.)	Part no.	RTL Seal Kit
3-7/16	435001	3-7/16 SLV RTL Seal Kit
3-15/16	435002	3-15/16 SLV RTL Seal Kit
4-7/16	435003	4-7/16 SLV RTL Seal Kit
4-15/16	435004	4-15/16 SLV RTL Seal Kit
5-7/16	435005	5-7/16 SLV RTL Seal Kit
6	435006	6 SLV RTL Seal Kit
7	435007	7 SLV RTL Seal Kit
8	435008	8 SLV RTL Seal Kit
9	435009	9 SLV RTL Seal Kit
10	435010	10 SLV RTL Seal Kit
12	435011	12 SLV RTL Seal Kit

Each kit contains (2) Split Aluminum Clamp Seals, (2) O-Rings & Gasket Eliminator

Shaft size (in.)	Part no.	RTL Grommet Kit
3-7/16	435027	3-7/16 SLV RTL Grommet Kit
3-15/16	435028	3-15/16 SLV RTL Grommet Kit
4-7/16	435028	4-7/16 SLV RTL Grommet Kit
4-15/16	435029	4-15/16 SLV RTL Grommet Kit
5-7/16	435029	5-7/16 SLV RTL Grommet Kit
6	435029	6 SLV RTL Grommet Kit
7	435029	7 SLV RTL Grommet Kit
8	435030	8 SLV RTL Grommet Kit
9	435030	9 SLV RTL Grommet Kit
10	435031	10 SLV RTL Grommet Kit
12	435032	12 SLV RTL Grommet Kit

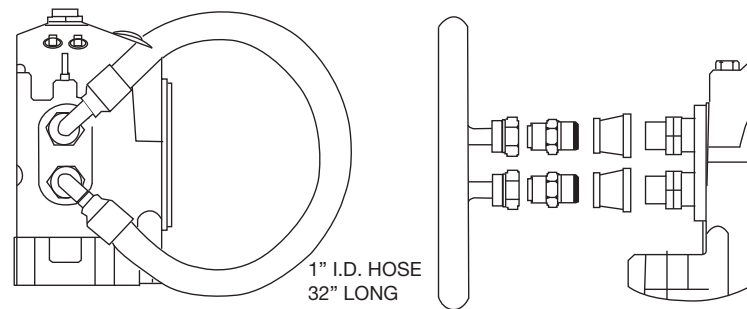
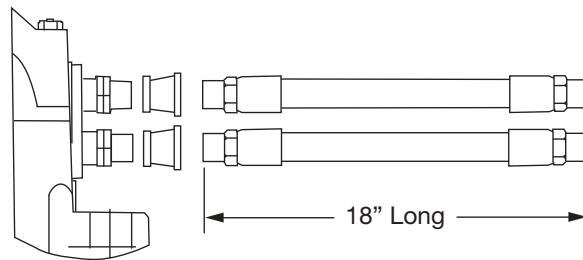
Each kit contains (2) grommets & grommet plates, (4) Lock Tubes, (8) Lock Nuts, (4) Coolant Pipes & Gasket Eliminator

Shaft size (in.)	Part no.	RTL plunger screw kit
3-7/16	435012	3-7/16. SLV RTL Plunger Screw Kit
3-15/16	435012	3-15/16. SLV RTL Plunger Screw Kit
4-7/16	435013	4-7/16. SLV RTL Plunger Screw Kit
4-15/16	435014	4-15/16. SLV RTL Plunger Screw Kit
5-7/16	435015	5-7/16. SLV RTL Plunger Screw Kit
6	435015	6. SLV RTL Plunger Screw Kit
7	435016	7. SLV RTL Plunger Screw Kit
8	435017	8. SLV RTL Plunger Screw Kit
9	435018	9. SLV RTL Plunger Screw Kit
10	435019	10. SLV RTL Plunger Screw Kit
12	435019	12. SLV RTL Plunger Screw Kit

Each kit contains Plunger Screw & Plunger Screw Locknut

Shaft size (in.)	Part no.	RTL - Sleeveoil coolant hose kit
3-7/16	434770	3/4. Sleeveoil Coolant Hose Kit
3-15/16	434771	1. Sleeveoil Coolant Hose Kit
4-7/16	434771	1. Sleeveoil Coolant Hose Kit
4-15/16	434772	1-1/4. Sleeveoil Coolant Hose Kit
5-7/16	434772	1-1/4. Sleeveoil Coolant Hose Kit
6	434772	1-1/4. Sleeveoil Coolant Hose Kit
7	434772	1-1/4. Sleeveoil Coolant Hose Kit
8	434773	2. Sleeveoil Coolant Hose Kit
9	434773	2. Sleeveoil Coolant Hose Kit
10	434774	2-1/2. Sleeveoil Coolant Hose Kit
12	434775	3. Sleeveoil Coolant Hose Kit

Each coolant hose kit contains (2) straight (inlet/outlet) hoses, (1) return hose and the required couplers, adapters and fittings.



Coolant Hose Kit illustrated here.

Sleevoil[®] bearings

Modification/Accessories

Sleevoil - R-series replacement part kits

Shaft size (in.)	Part no.	R-series - Sleeveoil dust seal kits
1-7/16	389820	1-7/16 Dust Seal Kit
1-11/16	389821	1-11/16 Dust Seal Kit
1-15/16	389822	1-15/16 Dust Seal Kit
2-3/16	389823	2-3/16 Dust Seal Kit
2-7/16	389824	2-7/16 Dust Seal Kit
2-11/16	389825	2-11/16 Dust Seal Kit
2-15/16	389826	2-15/16 Dust Seal Kit
3-7/16	389827	3-7/16 Dust Seal Kit
3-15/16	389828	3-15/16 Dust Seal Kit
4-7/16	389829	4-7/16 Dust Seal Kit
4-15/16	389830	4-15/16 Dust Seal Kit
5-7/16	389831	5-7/16 Dust Seal Kit
6	389832	6 Dust Seal Kit
7	389833	7 Dust Seal Kit
8	389834	8 Dust Seal Kit
9	389835	9 Dust Seal Kit
10 *	389836	10 Dust Seal Kit
12 *	389837	12 Dust Seal Kit

Each kit contains (2) dust seals , (2) seal retainers & gasket eliminator

* k it contains (4) seal retainers

Shaft size (in.)	Part no.	R-series - Sleeveoil plunger screw kit
3-15/16	435012	3-15/16 PL-XC Plunger Screw Kit
4-7/16	435021	4-7/16 PL-XC Plunger Screw Kit
4-15/16	435021	4-15/16 PL-XC Plunger Screw Kit
5-7/16	435013	5-7/16 PL-XC Plunger Screw Kit
6	435015	6 PL-XC Plunger Screw Kit
7	435016	7 PL-XC Plunger Screw Kit
8	435016	8 PL-XC Plunger Screw Kit
9 XC	435018	9 PL-XC Plunger Screw Kit
10 XC	435018	10 PL-XC Plunger Screw Kit
12 XC	435019	12 PL-XC Plunger Screw Kit
9 PL	435016	9 PL-XC Plunger Screw Kit
10 PL	435016	10 PL-XC Plunger Screw Kit
12 PL	435018	12 PL-XC Plunger Screw Kit

Each kit contains plunger screw & plunger screw locknut



PL-XC grommets and grommet plates pictured here.

Shaft size (in.)	Part no.	R-series - Coolant hose kit
1-11/16	133344	1/4. Sleeveoil Flexible Water Hose Kit
1-15/16	133344	1/4. Sleeveoil Flexible Water Hose Kit
2-3/16	133344	1/4. Sleeveoil Flexible Water Hose Kit
2-7/16	133344	1/4. Sleeveoil Flexible Water Hose Kit
2-11/16	133344	1/4. Sleeveoil Flexible Water Hose Kit
2-15/16	133344	1/4. Sleeveoil Flexible Water Hose Kit
3-7/16	133344	1/4. Sleeveoil Flexible Water Hose Kit
3-15/16 XC	434771	1. Sleeveoil Coolant Hose Kit
4-7/16 XC	434771	1. Sleeveoil Coolant Hose Kit
4-15/16 XC	434772	1-1/4. Sleeveoil Coolant Hose Kit
5-7/16 XC	434772	1-1/4. Sleeveoil Coolant Hose Kit
6 XC	434772	1-1/4. Sleeveoil Coolant Hose Kit
7 XC	434772	1-1/4. Sleeveoil Coolant Hose Kit
8 XC	434772	1-1/4. Sleeveoil Coolant Hose Kit
9 XC	434772	1-1/4. Sleeveoil Coolant Hose Kit
10 XC	434797	1-1/2. Sleeveoil Coolant Hose Kit
12 XC	434773	2. Sleeveoil Coolant Hose Kit

Each coolant hose kit contains (2) straight (inlet/outlet) hoses, (1) return hose and the required couplers, adapters and fittings.

Shaft size (in.)	Part no.	R-series - Sleeveoil grommet kit
3-15/16	435033	3-15/16 PL-XC Grommet Kit
4-7/16	435033	4-7/16 PL-XC Grommet Kit
4-15/16	435034	4-15/16 PL-XC Grommet Kit
5-7/16	435034	5-7/16 PL-XC Grommet Kit
6	435035	6 PL-XC Grommet Kit
7	435035	7 PL-XC Grommet Kit
8	435036	8 PL-XC Grommet Kit
9 PL	435037	9 plain Grommet Kit
9 XC	435038	9 XC Pipe Grommet Kit
10 PL	435037	10 plain Grommet Kit
10 XC	435039	10 XC Pipe Grommet Kit
12 XC	435040	12 XC Pipe Grommet Kit

Each kit contains (2) rubber grommets, (2) grommet plates, (8) screws, (4) coolant pipes - in PL-XC & XC grommet kits only & gasket eliminator

Sleevoil® bearings

Modification/Accessories

Sleevoil - Heater / Thermostat

Shaft size (in.)	Part no.	RTL - Combination heater / Thermostat - 110V
3 -7/16	434721	175 W 110V Immersion Heater / T-Stat Combo
3 -15/16	434725	260 W 110 V Immersion Heater / T-Stat Combo
4 -7/16	434725	260 W 110 V Immersion Heater / T-Stat Combo
4 -15/16	434727	480 W 110 V Immersion Heater / T-Stat Combo
5 -7/16	434727	480 W 110 V Immersion Heater / T-Stat Combo
6	434727	480 W 110 V Immersion Heater / T-Stat Combo
7	434729	740 W 110 V Immersion Heater / T-Stat Combo
8	434729	740 W 110 V Immersion Heater / T-Stat Combo
9	434729	740 W 110 V Immersion Heater / T-Stat Combo
10	434729	740 W 110 V Immersion Heater / T-Stat Combo
12	434735	1600 W 110 V Immersion Heater / T-Stat Combo

Single unit - 110V Combination heater and thermostat

Shaft size (in.)	Part no.	R-series - Combination Heater / Thermostat - 110V
2-7/16 *	132834	50 W 110V Immersion Heater
2-11/16 *	132384	50 W 110V Immersion Heater
2-15/16 *	132384	50 W 110V Immersion Heater
3-7/16	434719	100 W 110V Immersion Heater / T-Stat Combo
3-15/16	434721	175 W 110 V Immersion Heater / T-Stat Combo
4-7/16	434721	175 W 110 V Immersion Heater / T-Stat Combo
4-15/16	434721	175 W 110 V Immersion Heater / T-Stat Combo
5-7/16	434721	175 W 110 V Immersion Heater / T-Stat Combo
6	434725	260 W 110 V Immersion Heater / T-Stat Combo
7	434725	260 W 110 V Immersion Heater / T-Stat Combo
8	434727	480 W 110 V Immersion Heater / T-Stat Combo
9 XC	434729	740 W 110 V Immersion Heater / T-Stat Combo
9 PL	434727	480 W 110 V Immersion Heater / T-Stat Combo
10 XC	434729	740 W 110 V Immersion Heater / T-Stat Combo
10 PL	434727	480 W 110 V Immersion Heater / T-Stat Combo
12 XC	434729	740 W 110 V Immersion Heater / T-Stat Combo
12 PL	434729	740 W 110 V Immersion Heater / T-Stat Combo
14 PL	434729	740 W 110 V Immersion Heater / T-Stat Combo

Single unit - 110V combination heater and thermostat

* Requires listed heater part number and thermostat p/n 133116

Heater / thermostat combo includes LED current indicating light and NEMA 4 LB enclosure

2-7/16., 2-11/16. and 2-15/16. heater (132834 or 434835) to be used with thermostat part 133116. Combination heater/thermostat is not available for small bore Sleeveoil bearings.

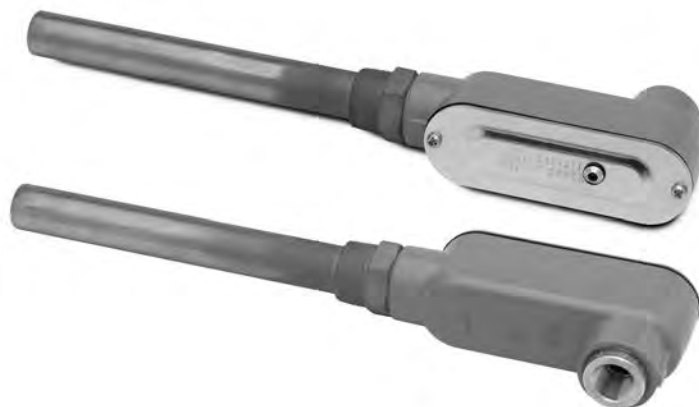
Shaft size (in.)	Part no.	RTL - Combination heater / Thermostat - 220V
3 -7/16	434722	175 W 220V Immersion Heater / T-Stat Combo
3 -15/16	434726	260 W 220 V Immersion Heater / T-Stat Combo
4 -7/16	434726	260 W 220 V Immersion Heater / T-Stat Combo
4 -15/16	434728	480 W 220 V Immersion Heater / T-Stat Combo
5 -7/16	434728	480 W 220 V Immersion Heater / T-Stat Combo
6	434728	480 W 220 V Immersion Heater / T-Stat Combo
7	434730	740 W 220 V Immersion Heater / T-Stat Combo
8	434730	740 W 220 V Immersion Heater / T-Stat Combo
9	434730	740 W 220 V Immersion Heater / T-Stat Combo
10	434730	740 W 220 V Immersion Heater / T-Stat Combo
12	434736	1600 W 220 V Immersion Heater / T-Stat Combo

Single unit - 220V Combination heater and thermostat

Shaft size (in.)	Part no.	R-series - Combination heater / Thermostat - 220V
2 7/16	434835 *	50 W 220V Immersion Heater
2 11/16	434835 *	50 W 220V Immersion Heater
2 15/16	434835 *	50 W 220V Immersion Heater
3-7/16	434720	100 W 220V Immersion Heater / T-Stat Combo
3-15/16	434722	175 W 220 V Immersion Heater / T-Stat Combo
4-7/16	434722	175 W 220 V Immersion Heater / T-Stat Combo
4-15/16	434722	175 W 220 V Immersion Heater / T-Stat Combo
5-7/16	434722	175 W 220 V Immersion Heater / T-Stat Combo
6	434726	260 W 220 V Immersion Heater / T-Stat Combo
7	434726	260 W 220 V Immersion Heater / T-Stat Combo
8	434728	480 W 220 V Immersion Heater / T-Stat Combo
9 XC	434730	740 W 220 V Immersion Heater / T-Stat Combo
9 PL	434728	480 W 220 V Immersion Heater / T-Stat Combo
10 XC	434730	740 W 220 V Immersion Heater / T-Stat Combo
10 PL	434728	480 W 220 V Immersion Heater / T-Stat Combo
12 XC	434730	740 W 220 V Immersion Heater / T-Stat Combo
12 PL	434730	740 W 220 V Immersion Heater / T-Stat Combo
14 PL	434730	740 W 220 V Immersion Heater / T-Stat Combo

Single unit - 220V Combination heater and thermostat

* Requires listed heater part number and thermostat p/n 133116

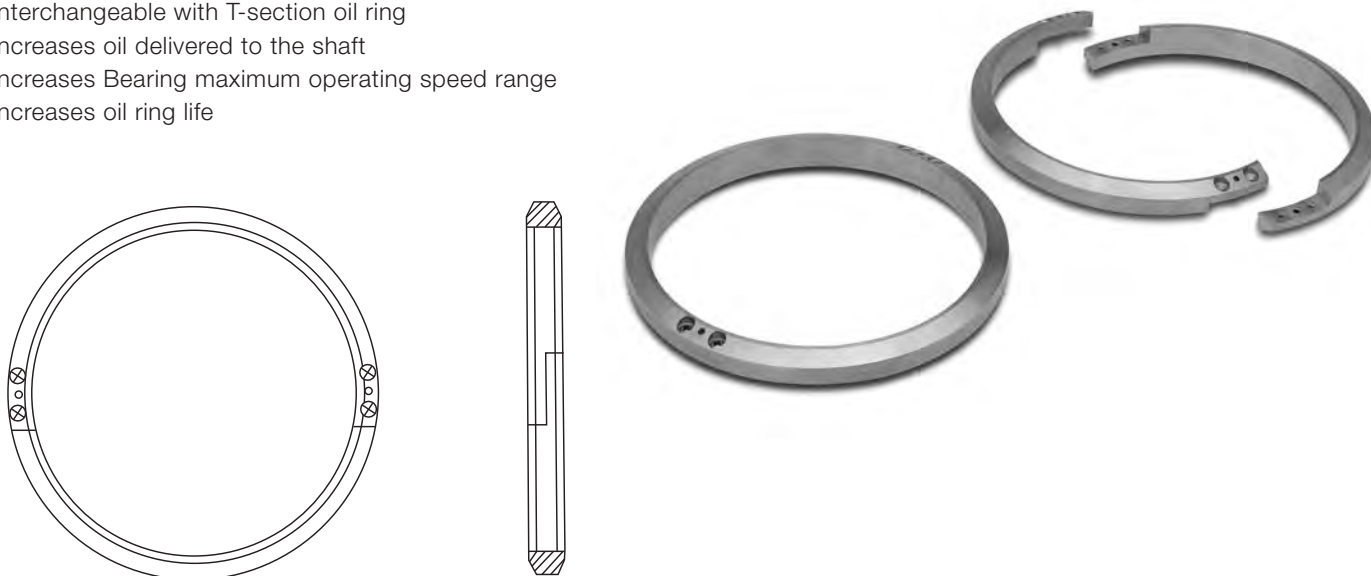


Sleevoil® bearings

Modification/Accessories

Sleevoil - R series and RTL trapezoidal oil ring 1-7/16. thru 14. trapezoidal section oil ring

- Lower operating temperatures
- Designed for existing and new Sleevoil Bearings
- Interchangeable with T-section oil ring
- Increases oil delivered to the shaft
- Increases Bearing maximum operating speed range
- Increases oil ring life



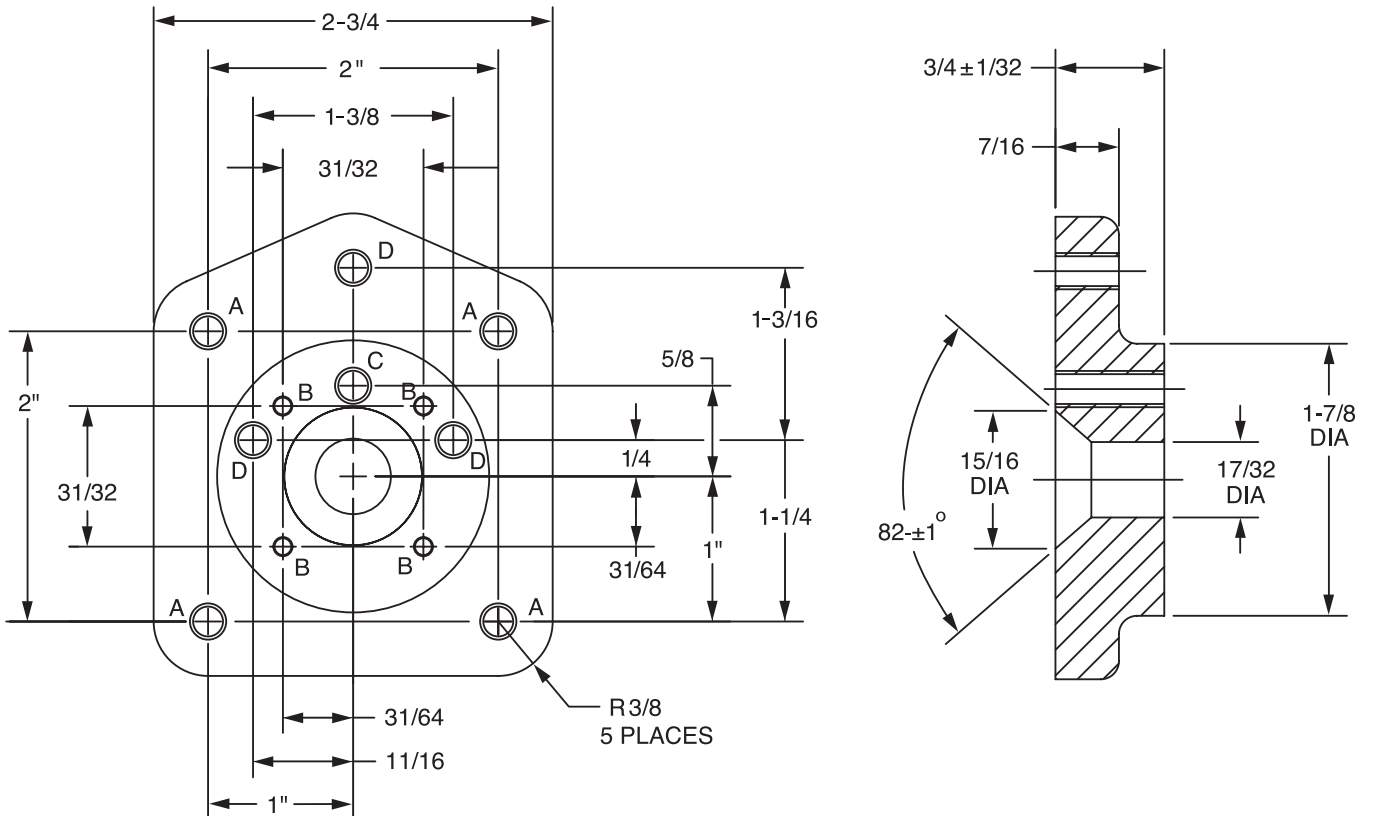
Plain	PLXC or WC Repl.	RTL	T-Section no.	Trapezoidal oil ring no.
1-7/16			130063	135700
1-11/16	1-11/16		130044	135704
1-15/16	1-15/16		130045	135708
2-3/16	2-3/16		130047	135712
2-7/16	2-7/16		130049	135716
2-11/16	2-11/16		130050	135720
2-15/16	2-15/16		130051	135724
3-7/16	3-7/16		130054	135728
3-15/16	3-15/16	3-7/16	130056	135290
4-7/16	4-7/16	3-15/16	130057	135291
4-15/16	4-15/16	4-7/16	130058	135292
5-7/16	5-7/16	4-15/16	130059	135293
6	6	5-7/16	130060	135294
		6	130078	135295
7	7		130062	135136
8	8	7	130065	135296
9, 10		8	130066	135297
	9		130067	135137
		9	130068	135298
	10		130064	135138
12			130070	135732
	12	10	130073	135299
14			130069	135736
		12	130071	135135

Note: T-section oil rings will be discontinued and superseded to the Trapezoidal oil rings as inventory is depleted.

Sleevoil[®] bearings

Modification/Accessories

Sleevoil
Vibration detector adapter kit
part number 430153



Vibration detector adapter kit
part number 430153
Sleevoil accessories

- (A) Hole 5 (.2055) dia. drill thru 1/4-20 tap thru - A30935
- (B) Hole #32 (.116) dia. drill thru 6-32 tap thru - A30936
- (C) Hole 7/32 Dia. drill thru 1/4-28 Tap thru - A30937
- (D) Hole 5 (.2055) dia. drill thru 1/4-20 tap thru - A30938

Blank vibration detector adapter kit
part number 433326

Note: Dimensions in inches.



Sleevoil[®] bearings

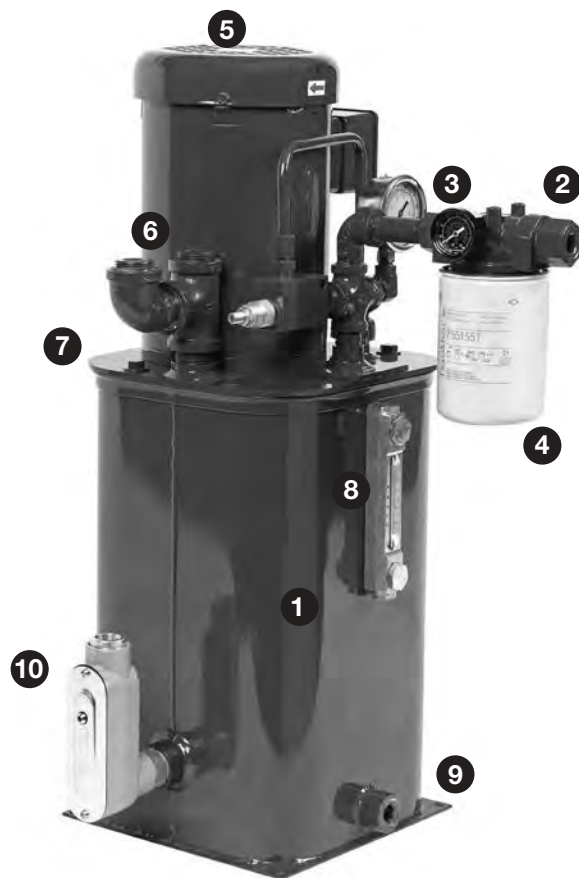
Modification/Accessories

Sleevoil

Oil Level and Filtration System (OLF-2) One system for two Sleevoil bearings

Oil Level and Filtration system fits all Dodge Sleevoil bearings

- 1 Five gallon tank
- 2 Oil pump supply line
- 3 Pressure gauge
- 4 Spin on filter
- 5 Standard NEMA motor
- 6 Return line connection— 1. NPT coupling with two inlets
- 7 Removable tank cover
- 8 Oil level/Temperature gauge
- 9 Mounting bracket
- 10 Immersion heater & thermostat option— 1.NPT port
- 11 Filtered breather (not shown)
- 12 Nameplate (not shown)



Oil Level filtration system part numbers

Description	OLF2 part no.
Single Phase Motor, 2.0 GPM Pump	077587
Three Phase Motor, 2.0 GPM Pump	077588
Three Phase XP-Motor 2.0 GPM Pump	077589

*Single Phase Motor 60 Hz 120 Volt

*Three Phase Motor 50/60 Hz 230/460 Volt

Combination heater /thermostat

Description	Part no.
260 watt 120 volt heater	434725
260 watt 240 volt heater	434726

* Not included with OLF-2. Order desired part if required.

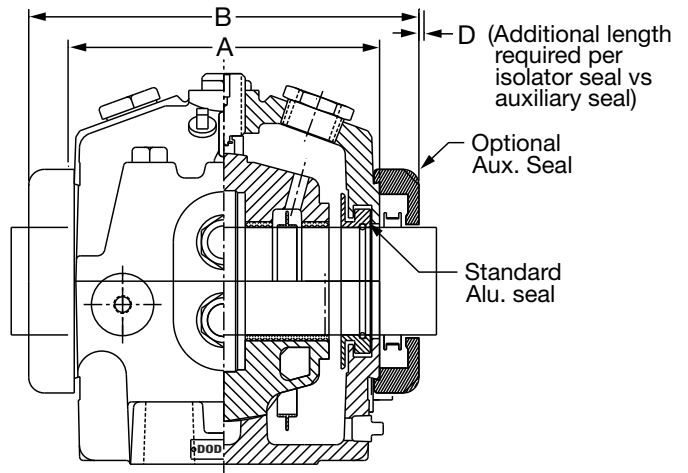
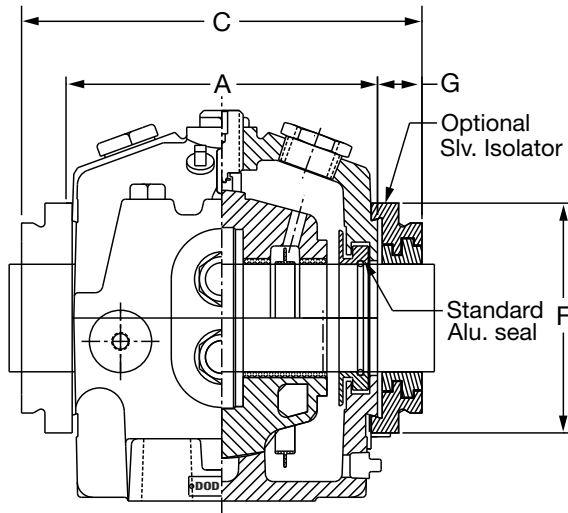
Oil inlet connections

Sleevoil series	Bore sizes	Need circulating oil grommet kit part no.
R series	1-7/16. - 3-7/16.	Not Required
R series	3-15/16.	432153
R series	4-7/16. - 4-15/16.	430198
R series	5-7/16. - 12.	430155
RTL series	3-7/16. - 5-7/16.	132203
RTL series	6. - 12.	132205

Sleevoil[®] bearings

Modification/Accessories

Dodge Sleevoil bearing isolator RTL and R-series pillow blocks



RTL Housing length thru bore with Dodge seal offerings								
Size (inches)	Part No	A*	B*	C*	D*	E*	F*	G*
3-7/16	434706	254	301.6	320.7	4.5	19.1	187.3	33.3
3-15/16	434707	273.1	320.7	339.7	9.5	19.1	209.6	33.3
4-7/16	434708	298.4	349.3	365.1	7.9	15.9	228.6	33.3
4-15/16	434709	323.9	374.7	390.1	7.9	15.9	241.3	33.3
5-7/16	434710	355.6	422.3	422.3	0	0	273.1	33.3
6	434711	406.4	473.1	479.4	3.2	6.4	295.3	36.5
7	434712	457.2	530.2	530.2	0	0	323.9	36.5
8	434713	501.7	574.7	574.7	0	0	323.9	36.5
9	434714	577.9	644.5	650.9	3.2	6.4	323.9	36.5
10	434715	622.3	689.0	695.3	3.2	6.4	323.9	36.5
12	434716	736.6	803.3	809.6	3.2	6.4	469.9	36.5

Notes:

- A - Length thru housing bore with standard aluminum seal
 - B - Length thru housing bore with optional auxiliary seals
 - C - Length thru housing bore with optional isolator seals
 - D - Additional length required per isolator seal vs auxiliary seal
 - E - Additional shaft length required
 - F - Isolator outside diameter
 - G - Isolator width from housing end face
 - * - Isolator can also be used with R-series pillow blocks
- Dimensions in mm unless noted otherwise.

Note: For further information regarding Dodge Sleevoil bearing isolator, see page 18-6

Part number index

Part number	Page	Part number	Page	Part number	Page	Part number	Page
4347	8-25	032976	7-12	033217	7-18	033611	7-26
012302	4-66	032977	7-12	033218	7-18	033612	7-26
012303	4-66	032979	7-12	033247	7-14	033613	7-26
012340	4-66	032980	7-12	033251	7-14	033614	7-26
012341	4-66	032981	7-12	033260	7-18	033615	7-26
012342	4-66	032983	7-12	033261	7-18	033616	7-26
012343	4-66	032984	7-12	033262	7-18	033617	7-26
22208	6-5	032985	7-12	033263	7-18	033618	7-26
22209	6-5	032986	7-12	033264	7-18	033619	7-26
22210	6-5	032987	7-12	033265	7-18	033620	7-26
22211	6-5	032989	7-12	033266	7-18	033621	7-26
22213	6-5	032990	7-12	033267	7-18	033622	7-26
22215	6-5	033077	7-10	033268	7-18	033623	7-26
22218	6-5	033085	7-16	033269	7-18	033624	7-26
22220	6-5	033086	7-16	033270	7-18	033625	7-26
22222	6-5	033087	7-16	033271	7-18	033626	7-26
22226	6-5	033088	7-16	033272	7-18	033627	7-26
22228	6-5	033089	7-16	033273	7-18	033667	7-10
22232	6-5	033090	7-16	033274	7-18	033668	7-10
22236	6-5	033091	7-16	033275	7-18	033669	7-10
032867	2-63	033092	7-16	033276	7-18	033670	7-10
032868	2-63	033093	7-16	033277	7-18	033672	7-10
032871	2-63	033094	7-16	033278	7-18	033673	7-10
032872	2-63	033095	7-16	033321	7-15	033674	7-10
032874	2-63	033096	7-16	033323	7-15	033676	7-10
032875	2-63	033097	7-16	033347	7-14	033677	7-10
032876	2-63	033098	7-16	033351	7-14	033678	7-10
032877	2-63	033185	7-16	033475	7-14	033680	7-10
032878	2-63	033186	7-16	033480	7-14	033681	7-10
032879	2-63	033187	7-16	033485	7-14	033682	7-10
032881	2-63	033188	7-16	033490	7-14	033683	7-10
032882	2-63	033189	7-16	033500	7-14	033684	7-10
032886	2-63	033190	7-16	033505	7-14	033686	7-10
032887	2-63	033191	7-16	033510	7-14	033687	7-10
032923	7-15	033192	7-16	033515	7-14	033688	7-10
032937	7-15	033193	7-16	033525	7-14	033692	7-32
032940	7-12	033194	7-16	033530	7-14	033693	7-32
032941	7-12	033195	7-16	033535	7-14	033694	7-32
032942	7-12	033196	7-16	033540	7-14	033695	7-32
032943	7-12	033197	7-16	033585	7-26	033696	7-33
032945	7-12	033198	7-16	033586	7-26	033697	7-33
032946	7-12	033200	7-18	033587	7-26	033698	7-33
032947	7-12	033201	7-18	033588	7-26	033699	7-33
032949	7-12	033202	7-18	033589	7-26	033739	7-24
032950	7-12	033203	7-18	033590	7-26	033740	7-24
032951	7-12	033204	7-18	033591	7-26	033741	7-24
032953	7-12	033205	7-18	033592	7-26	033742	7-24
032954	7-12	033206	7-18	033593	7-26	033743	7-24
032955	7-12	033207	7-18	033594	7-26	033744	7-24
032956	7-12	033208	7-18	033595	7-26	033745	7-24
032957	7-12	033209	7-18	033596	7-26	033750	7-24
032959	7-12	033210	7-18	033597	7-26	033751	7-24
032960	7-12	033211	7-18	033598	7-26	033752	7-24
032970	7-12	033212	7-18	033599	7-26	033753	7-24
032971	7-12	033213	7-18	033600	7-26	033754	7-24
032972	7-12	033214	7-18	033601	7-26	033755	7-24
032973	7-12	033215	7-18	033602	7-26	033756	7-24
032975	7-12	033216	7-18	033610	7-26	033810	7-20

Part number index

Part number	Page	Part number	Page	Part number	Page	Part number	Page
033811	7-20	033891	7-31	033974	7-10	034261	7-16
033812	7-20	033892	7-31	033977	7-10	034262	7-16
033813	7-20	033893	7-31	033978	7-10	034263	7-16
033814	7-20	033894	7-31	033979	7-10	034264	7-16
033815	7-20	033895	7-31	033980	7-10	034265	7-16
033816	7-20	033896	7-31	033982	7-10	034266	7-16
033817	7-20	033897	7-31	033983	7-10	034267	7-16
033818	7-20	033899	7-15	033984	7-10	034268	7-16
033819	7-20	033900	7-31	033986	7-10	034269	7-16
033820	7-20	033901	7-31	033987	7-10	034270	7-16
033821	7-20	033902	7-31	033988	7-10	034271	7-16
033822	7-20	033903	7-31	033990	7-10	034272	7-16
033823	7-20	033904	7-31	033991	7-10	034273	7-18
033824	7-20	033905	7-31	033992	7-10	034274	7-18
033825	7-20	033906	7-31	033993	7-10	034275	7-18
033826	7-20	033907	7-31	033994	7-10	034276	7-18
033840	7-20	033910	7-22	033996	7-10	034277	7-18
033841	7-20	033911	7-22	033997	7-10	034278	7-18
033842	7-20	033912	7-22	033998	7-10	034279	7-18
033843	7-20	033913	7-22	034117	7-26	034280	7-18
033844	7-20	033914	7-22	034218	7-16	034281	7-18
033845	7-20	033915	7-22	034221	7-10	034282	7-18
033846	7-20	033916	7-22	034225	7-10	034283	7-18
033847	7-20	033917	7-22	034226	7-10	034284	7-18
033848	7-20	033918	7-22	034227	7-10	034285	7-18
033849	7-20	033919	7-22	034228	7-10	034286	7-18
033850	7-20	033920	7-22	034229	7-10	034287	7-18
033851	7-20	033921	7-22	034230	7-10	034288	7-18
033852	7-20	033922	7-22	034231	7-10	034289	7-18
033853	7-20	033923	7-22	034232	7-10	034290	7-18
033854	7-20	033924	7-22	034233	7-10	034291	7-18
033855	7-20	033925	7-22	034234	7-10	034292	7-18
033856	7-20	033926	7-22	034235	7-10	034293	7-20
033862	7-15	033927	7-22	034236	7-10	034294	7-20
033863	7-15	033928	7-22	034237	7-10	034295	7-20
033867	7-15	033929	7-15	034238	7-10	034296	7-20
033868	7-15	033930	7-15	034239	7-10	034297	7-20
033869	7-15	033931	7-15	034240	7-10	034298	7-20
033870	7-22	033932	7-15	034241	7-10	034299	7-20
033871	7-22	033933	7-15	034242	7-10	034300	7-20
033872	7-22	033934	7-15	034243	7-10	034303	7-20
033873	7-22	033937	7-30	034244	7-12	034304	7-20
033874	7-22	033938	7-30	034245	7-12	034305	7-20
033875	7-22	033939	7-30	034246	7-12	034306	7-20
033876	7-22	033940	7-30	034247	7-12	034307	7-20
033877	7-22	033952	7-30	034248	7-12	034308	7-20
033878	7-22	033953	7-30	034249	7-12	034309	7-20
033879	7-22	033954	7-30	034250	7-12	034310	7-20
033880	7-22	033955	7-30	034251	7-12	034313	7-22
033881	7-22	033960	7-29	034252	7-12	034314	7-22
033882	7-22	033961	7-29	034253	7-12	034315	7-22
033883	7-22	033962	7-29	034254	7-12	034316	7-22
033884	7-22	033963	7-29	034255	7-12	034317	7-22
033885	7-22	033964	7-29	034256	7-12	034318	7-22
033886	7-22	033965	7-29	034257	7-12	034319	7-22
033887	7-22	033966	7-29	034258	7-12	034320	7-22
033888	7-22	033967	7-29	034259	7-12	034321	7-22
033890	7-31	033968	7-29	034260	7-16	034322	7-22

Part number index

Part number	Page	Part number	Page	Part number	Page	Part number	Page
034323	7-22	034709	2-58	045600	2-39	046318	6-28
034324	7-22	034710	2-59	045601	2-39	046331	6-31, 6-32
034325	7-22	034711	2-59	045602	2-39	046332	6-31, 6-32
034326	7-22	034712	2-59	045603	2-39	046333	6-31, 6-32
034327	7-22	034713	2-59	045604	2-39	046487	6-28, 6-34
034328	7-22	034714	2-59	045605	2-39	046488	6-28, 6-34
034329	7-22	034715	2-59	045606	2-39	046489	6-28, 6-34
034330	7-22	034716	2-62	045677	2-39	046490	6-28
034331	7-22	034717	2-62	045874	4-74, 4-78	046492	6-34
034332	7-22	034718	2-62	046219	6-31, 6-32	046496	6-34
034438	7-28	034719	2-62	046221	6-31, 6-32	046710	6-36
034439	7-28	034720	2-62	046222	6-31, 6-32	046711	6-36
034440	7-28	034721	2-62	046223	6-31, 6-32	046712	6-36
034441	7-28	034722	2-62	046224	6-31, 6-32	046713	6-36
034442	7-28	034725	2-62	046225	6-31, 6-32	046714	6-36
034443	7-28	034726	2-60	046226	6-31, 6-32	046715	6-36
034444	7-28	034727	2-60	046227	6-31, 6-32	046717	6-36
034445	7-28	034728	2-60	046228	6-31	046718	6-36
034446	7-28	034729	2-60	046229	6-31	046719	6-32, 6-36
034447	7-28	034730	2-60	046230	6-31	046720	6-32, 6-36
034448	7-28	034731	2-60	046231	6-31	046721	6-32
034449	7-28	034732	2-60	046232	6-31	046722	6-32
034450	7-28	034735	2-60	046233	6-42	046723	6-32
034451	7-28	034736	2-61	046234	6-42	048925	6-12
034452	7-28	034737	2-61	046235	6-42	048927	6-12
034453	7-28	034738	2-61	046236	6-42	048929	6-12
034454	7-26	034739	2-61	046237	6-42	048930	6-12
034455	7-26	034740	2-61	046238	6-34	048931	6-12
034456	7-26	034741	2-61	046239	6-34	048932	6-12
034457	7-26	034748	2-58	046285	6-28, 6-34	048933	6-12
034458	7-26	034749	2-58	046286	6-28, 6-34	048934	6-12
034459	7-26	034750	2-58	046287	6-28, 6-34	048937	6-12
034460	7-26	034751	2-58	046288	6-28, 6-34	048938	6-12
034461	7-26	034752	2-58	046289	6-28, 6-34	048939	6-12
034462	7-26	034754	2-58	046290	6-28, 6-34	048940	6-12
034463	7-26	034755	2-59	046291	6-28, 6-34	049380	2-48
034464	7-26	034756	2-59	046292	6-28	049437	4-28
034465	7-26	034757	2-59	046293	6-28, 6-34	049462	4-83
034466	7-26	034758	2-59	046294	6-28	049477	2-34
034467	7-26	034759	2-62	046295	6-28	049490	6-34
034468	7-26	034760	2-62	046296	6-28	049615	4-38
034469	7-26	034761	2-62	046297	6-28	049686	2-30
034470	7-26	034762	2-62	046298	6-28	049811	4-85
034471	7-26	034763	2-62	046299	6-28	049829	4-58
034472	7-26	034765	2-62	046304	6-28, 6-34	049835	2-48
034473	7-26	034766	2-60	046305	6-28, 6-34	049852	4-12
034525	7-26	034767	2-60	046306	6-28, 6-34	049859	4-24
034596	7-12	034768	2-60	046307	6-28, 6-34	049891	4-85
034597	7-12	034769	2-60	046308	6-28, 6-34	049893	4-85
034598	7-12	034770	2-60	046309	6-28, 6-34	049894	4-84
034599	7-12	034772	2-60	046310	6-28, 6-34	049918	4-78
034700	2-58	034773	2-61	046311	6-28	049925	4-76
034701	2-58	034774	2-61	046312	6-28, 6-34	049926	4-30
034702	2-58	034775	2-61	046313	6-28	049944	4-22
034703	2-58	034776	2-61	046314	6-28	049945	4-78
034704	2-58	036567	5-16	046315	6-28	049991	4-84
034705	2-58	045338	2-39	046316	6-28	049996	2-26
034706	2-58	045412	2-39	046317	6-28	050119	4-26

Part number index

Part number	Page	Part number	Page	Part number	Page	Part number	Page
050189	4-83	052472	4-24	054342	4-83	056864	4-83
050386	4-24	052478	4-84	054412	4-84	056893	2-48
050524	2-39	052531	4-83	054419	4-83	056907	4-46
050555	4-85	052532	4-84	054431	4-74	056911	4-85
050580	2-39	052540	4-83	054436	4-24	056912	4-78
050653	2-39	052550	4-84	054534	4-83	056929	4-30
050654	2-39	052570	6-32	054548	4-24	056964	2-30
050656	2-39	052604	4-83	054556	4-84	056971	2-30
050834	4-42	052618	4-83	054580	4-85	057102	2-39
050835	4-42	052620	2-39	054593	4-84	057114	4-84
050837	4-12	052621	2-39	054781	4-24	057132	4-84
050843	4-44	052622	2-39	054782	4-83	057201	4-72
050846	4-58	052623	2-39	054831	4-85	057212	4-84
050867	4-44	052637	6-32	054837	4-85	057220	4-68
050895	4-40	052638	6-32	054843	4-83	057265	4-85
051513	4-83	052639	6-32	054917	4-84	057338	4-83
051774	4-38	052640	6-32	054918	4-84	057354	4-72
051825	4-84	052641	6-32	054934	4-84	057361	4-68
051826	4-83	052642	6-32	054949	4-72	057363	4-84
051827	4-83	052643	6-32	056440	2-53	057368	4-84
051841	6-32	052644	6-32	056449	2-48	057414	4-18
051878	4-16	052645	4-72	056481	4-18	057474	4-83
051879	4-16	052792	4-14	056483	4-18	057487	4-84
051880	4-16	052794	4-14	056492	4-52	057524	2-48
051906	4-83	052906	4-38	056497	2-42	057594	2-48
051987	4-42	052939	4-56	056525	2-26	057603	4-16
051991	4-44	052981	2-39	056526	2-48	057683	4-85
051992	4-44	053021	4-18	056548	2-26	057687	2-48
052002	4-46	053025	4-18	056552	2-30	057708	4-84
052003	4-46	053088	6-38	056553	2-26	057800	4-84
052004	4-44, 4-46	053169	4-83	056565	2-26	057801	4-84
052005	4-20	053170	4-12, 4-16	056577	2-45	057802	4-74
052006	4-44	053175	4-28	056578	4-85	057839	4-85
052007	4-44	053183	4-18	056580	2-48	057847	4-83
052008	4-44	053201	6-32	056588	4-84	057878	4-68
052009	4-42	053320	4-68	056593	2-34	057898	2-42
052010	4-42	053563	4-84	056611	2-30	057899	2-53
052011	4-28	053565	4-74	056612	2-30	057906	4-85
052012	4-12	053670	4-83	056630	4-84	057907	2-53
052015	4-83	053776	4-72, 4-78	056633	2-34	057908	2-50
052016	4-38	053871	4-85	056734	2-30	058157	4-74, 4-78
052017	4-46	053883	4-28	056744	4-12	058183	4-84
052032	4-72	053894	4-85	056765	4-38	058194	4-83
052047	4-84	053895	4-85	056796	2-26	058233	4-85
052048	4-84	053955	4-84	056797	2-26	058262	4-83
052094	4-38	054019	4-74	056800	2-26	058263	4-83
052101	4-12	054063	4-85	056801	2-30	058294	2-53
052194	4-54	054065	4-84	056802	2-30	058311	2-50
052199	4-54	054145	2-39	056803	2-30	058336	2-50
052205	4-46	054190	4-83	056804	2-30	058345	2-39
052220	4-26	054196	4-74	056805	2-30	058380	4-84
052224	4-18	054203	4-83, 4-84	056806	2-34	058400	4-20
052275	4-20	054225	4-74	056807	2-34	058404	2-48
052276	4-84	054276	4-83	056808	2-34	058470	2-48
052291	4-44	054300	4-83	056809	2-34	058529	4-38
052294	4-83	054314	4-83	056810	2-34	058544	4-38
052302	4-46	054315	4-84	056845	4-30	058545	4-38
052311	4-83	054316	4-84	056855	4-14	058593	2-48

Part number index

Part number	Page	Part number	Page	Part number	Page	Part number	Page
058594	2-53	062648	4-30	064794	5-14	067919	2-42
058595	2-53	062676	4-84	064839	2-42	067925	4-14
058596	2-42	062686	4-30	064865	4-74	067959	4-28
058597	2-42	062691	4-60	064874	5-14	067986	2-48
058619	4-84	062741	5-12	064875	5-14	067996	2-42
058624	4-20	062742	5-12	064880	4-83	068013	4-72
058630	4-68	062746	4-32	064943	4-42	068025	4-20
058632	2-45	062779	4-84	064993	2-33	068053	2-53
058633	4-84	062829	4-83	064994	2-24	068066	4-84
058648	2-50	062835	2-34	065548	4-20	068068	4-22
058652	4-85	062837	2-42, 2-48	065565	4-30	068071	5-16
058665	2-39	062842	4-46	065576	4-46	068088	4-83
058702	4-14	062874	2-26	065593	4-56, 4-57	068184	4-56
058705	4-60	062877	4-83	065595	4-28, 4-32	068185	4-83
058738	4-85	062879	2-26	065598	5-14	068230	5-14
058792	2-48	062897	4-46	065600	2-34	068236	2-26
058852	4-84	062901	2-33	065642	4-54	068239	4-85
058897	4-54	062913	2-30	065644	4-50, 4-52	068266	4-84
058910	2-53	062975	4-60	065653	4-46	068283	2-30
058915	4-85	062994	2-30	065655	2-42	068290	4-83
058931	2-42	064000	2-30	065681	4-54	068322	2-42
058940	2-56	064064	2-42	065694	2-29	068361	4-16
058941	2-48	064070	6-9	065699	4-40	068372	4-12
058944	2-42	064071	6-9	065700	4-84	068374	4-60
058965	2-39	064072	6-9	065766	4-26	068404	4-78
058975	2-42	064073	6-9	065776	5-14	068424	2-53
058989	2-39	064074	6-9	065777	5-14	068478	4-76
059614	4-84	064075	6-9	065780	2-53	068495	2-42
059636	4-85	064076	6-9	065786	2-48	068532	4-36
059637	4-22	064077	6-9	065945	2-34	068571	4-44
059673	4-83	064089	4-30	066629	6-13	068572	4-44
059696	4-84	064147	2-46	066630	6-13	068573	4-44
059722	2-42	064149	4-74, 4-78	066631	6-13	068603	4-14
059737	4-83	064153	6-9	066632	6-13	068659	4-56
059798	2-26	064154	6-9	066633	6-13	068685	5-24
059799	2-26	064155	6-9	066634	6-13	068687	2-51
059816	4-38	064156	6-9	066635	6-13	068720	4-38
059821	4-83	064157	6-9	066636	6-13	068726	5-10
059823	2-48	064203	4-44	066637	6-13	068727	5-10
059844	4-85	064211	5-20	066638	6-13	068760	4-16
059870	2-26	064214	4-44	066642	6-13	068789	4-36
059954	4-84	064237	4-85	066643	6-13	068800	4-18
062157	4-84	064249	4-20	067019	4-28	068839	4-30
062162	4-14	064255	2-30	067630	2-26	068840	4-38
062178	4-14, 4-20	064306	2-26	067642	4-42	068861	5-20
062182	4-84	064341	2-30	067663	4-26	068872	5-14
062186	4-20	064361	4-30	067666	4-28	068878	5-24
062254	6-9	064472	5-20, 5-22	067674	4-32	068889	4-78
062255	6-9	064480	4-30	067678	2-24	068915	4-30
062260	4-34	064503	2-46	067679	4-14	068937	4-30
062271	6-9	064557	4-84	067710	4-83	068996	4-34
062309	4-84	064572	2-42	067774	4-84	069286	6-9
062317	2-50	064584	2-51	067830	4-84	069287	6-9
062340	2-34	064637	4-18	067839	2-26	069288	6-9
062542	2-34	064656	4-26	067868	4-48	069289	6-9
062570	4-78	064704	4-60	067874	4-42	069296	6-9
062572	4-83	064720	2-45	067892	4-40	069297	6-9
062628	2-53	064775	4-30	067902	4-72	069303	6-9

Part number index

Part number	Page	Part number	Page	Part number	Page	Part number	Page
069304	6-9	071048	6-10	072906	6-17	074935	4-58
069305	6-9	071049	6-10	072907	6-17	074989	6-10
069306	6-9	071050	6-10	072912	6-17	075014	4-74
069307	6-9	071051	6-10	072913	6-17	075096	2-42
069308	6-9	071052	6-10	072914	6-17	075105	4-20
069312	6-9	071054	6-10	072915	6-17	075154	6-10
069313	6-9	071055	6-10	072916	6-17	075248	2-30
069316	6-9	071056	6-10	072917	6-17	075489	5-24
069317	6-9	071057	6-10	072918	6-17	075546	3-8
070053	6-10	071058	6-10	072919	6-17	075697	3-18
071000	6-9	071059	6-10	072920	6-17	075700	5-28
071001	6-9	071060	6-10	072921	6-17	075714	4-74, 4-78
071002	6-9	071061	6-10	072922	6-17	075765	4-42
071003	6-9	071062	6-10	072923	6-17	075775	3-21
071004	6-9	071063	6-10	072924	6-17	075913	2-33
071005	6-9	071064	6-10	073006	4-84	076000	3-8
071006	6-9	071065	6-10	073007	2-24	076001	3-8
071007	6-9	071066	6-10	073008	2-29	076002	3-8
071008	6-9	071067	6-10	073065	4-84	076003	3-8
071009	6-9	071102	6-9	073139	4-38	076004	3-8
071010	6-9	071103	6-9	073224	2-53	076005	3-8, 3-14
071011	6-9	071104	6-10	073280	4-84	076006	3-8
071012	6-9	071105	6-10	073282	4-12	076007	3-8
071013	6-9	071106	6-9	073287	4-68	076008	3-10
071014	6-9	071107	6-9	073358	4-18	076009	3-10
071015	6-9	071108	6-10	073381	4-14	076010	3-10
071016	6-9	071109	6-10	073396	2-30	076011	3-10
071017	6-9	071114	6-9	073406	2-46	076012	3-10
071018	6-9	071115	6-9	073418	4-18	076014	3-10
071019	6-9	071116	6-9	073430	4-56	076015	3-10
071020	6-9	071118	6-9	073492	4-32	076016	3-10
071021	6-9	071983	6-9	073634	4-74, 4-78	076017	3-16
071022	6-9	071984	6-9	073638	2-48	076018	3-16
071023	6-9	071985	6-9	073651	2-48	076019	3-16
071024	6-9	071986	6-9	073662	4-26	076020	3-16
071025	6-9	071987	6-9	073669	4-38	076021	3-16
071026	6-9	071988	6-9	073769	4-44	076022	3-16
071027	6-9	071989	6-9	073772	4-84	076023	3-16
071028	6-9	071990	6-9	073793	4-58	076024	3-16
071029	6-9	071991	6-9	073836	2-56	076025	3-16
071030	6-9	071992	6-9	073950	4-46	076026	3-16
071031	6-9	071993	6-9	073970	4-54	076027	3-16
071032	6-9	071994	6-9	074017	5-26	076028	3-16
071033	6-9	071995	6-9	074162	4-12	076029	3-16
071034	6-10	071996	6-9	074223	4-83	076030	3-16
071035	6-10	071997	6-9	074237	4-84	076031	3-17
071036	6-10	071998	6-9	074287	4-36	076032	3-17
071037	6-10	072895	6-17	074288	4-36	076033	3-17
071038	6-10	072896	6-17	074396	4-30	076034	3-17
071039	6-10	072897	6-17	074505	4-72	076035	3-17
071040	6-10	072898	6-17	074512	2-26	076036	3-17
071041	6-10	072899	6-17	074530	4-83	076037	3-17
071042	6-10	072900	6-17	074615	6-9	076038	3-17
071043	6-10	072901	6-17	074631	2-26	076039	3-18
071044	6-10	072902	6-17	074632	2-53	076040	3-18
071045	6-10	072903	6-17	074714	4-42	076041	3-18
071046	6-10	072904	6-17	074828	4-83	076042	3-18
071047	6-10	072905	6-17	074926	4-18	076043	3-18

Part number index

Part number	Page	Part number	Page	Part number	Page	Part number	Page
076044	3-18	076102	3-32	076160	3-21, 3-22	076218	3-40
076045	3-18	076103	3-32	076161	3-22	076219	3-40
076046	3-20	076104	3-32	076162	3-22	076220	3-8
076047	3-20	076105	3-32	076163	3-22, 3-23	076221	3-8
076048	3-20	076106	3-32	076164	3-22	076222	3-8
076049	3-20	076107	3-32	076165	3-22	076223	3-8
076050	3-20	076108	3-38	076166	3-24	076224	3-10
076051	3-20	076109	3-38	076167	3-24	076225	3-10
076052	3-20	076110	3-38	076168	3-24	076226	3-10
076053	3-20	076111	3-38	076169	3-24	076227	3-10
076054	3-20	076112	3-38	076170	3-24	076228	3-10
076055	3-21	076113	3-38, 3-40	076171	3-24	076229	3-10
076056	3-21	076114	3-38	076172	3-24	076230	3-10
076057	3-21	076115	3-38	076173	3-24	076231	3-16
076058	3-21	076116	3-39, 3-40	076174	3-24	076232	3-16
076059	3-21	076117	3-39	076175	3-24	076233	3-16
076060	3-21	076118	3-39	076176	3-23, 3-24	076234	3-16
076061	3-21	076119	3-39	076177	3-24	076235	3-16
076062	3-21	076120	3-39	076178	3-24	076236	3-16
076063	3-23	076121	3-39	076179	3-24	076237	3-16
076064	3-23	076122	3-39	076180	3-24	076238	3-16
076065	3-23, 3-24	076123	3-39	076181	3-28	076239	3-17
076066	3-23	076124	3-39	076182	3-28	076240	3-17
076067	3-23	076125	3-14	076183	3-28	076241	3-17
076068	3-23	076126	3-14	076184	3-28	076242	3-17
076069	3-23	076127	3-14	076185	3-28	076243	3-18
076070	3-23	076128	3-14	076186	3-28	076244	3-18
076071	3-23	076129	3-14	076187	3-28	076245	3-18
076072	3-23	076130	3-14	076188	3-26, 3-28	076246	3-20
076073	3-23	076131	3-14	076189	3-28	076247	3-20
076074	3-23	076132	3-10, 3-14	076190	3-34	076248	3-20
076075	3-23	076133	3-10, 3-14	076191	3-34	076249	3-20
076076	3-25	076134	3-14	076192	3-34	076250	3-20
076077	3-25	076135	3-10, 3-14	076193	3-34	076251	3-21
076078	3-25	076136	3-14	076194	3-34	076252	3-21
076079	3-25	076137	3-14	076195	3-34	076253	3-21
076080	3-25	076138	3-14	076196	3-36	076254	3-21
076081	3-25, 3-28	076139	3-14	076197	3-32, 3-36	076255	3-21
076082	3-25	076140	3-14	076198	3-36	076256	3-21
076083	3-25	076141	3-19	076199	3-36	076257	3-23
076084	3-26	076142	3-19	076200	3-32, 3-36	076258	3-23
076085	3-26	076143	3-19	076201	3-36	076259	3-23
076086	3-26	076144	3-19	076202	3-36	076260	3-23
076087	3-26	076145	3-19	076203	3-36	076261	3-23
076088	3-26	076146	3-19	076204	3-40	076262	3-23
076089	3-26	076147	3-19	076205	3-40	076263	3-23
076090	3-26	076148	3-18, 3-19	076206	3-40	076264	3-23
076091	3-30	076149	3-19	076207	3-40	076265	3-25
076092	3-30	076150	3-22	076208	3-40	076266	3-25
076093	3-30	076151	3-22	076209	3-40	076267	3-25
076094	3-30	076152	3-22	076210	3-40	076268	3-25
076095	3-30	076153	3-22	076211	3-39, 3-40	076269	3-26
076096	3-30, 3-34	076154	3-22	076212	3-40	076270	3-26
076097	3-30	076155	3-22	076213	3-40	076271	3-26
076098	3-30	076156	3-22	076214	3-39, 3-40	076272	3-26
076099	3-30	076157	3-21, 3-22	076215	3-40	076273	3-26
076100	3-32	076158	3-22	076216	3-40	076274	3-30
076101	3-32	076159	3-22	076217	3-40	076275	3-30

Part number index

Part number	Page	Part number	Page	Part number	Page	Part number	Page
076276	3-30	076336	3-34	077977	4-81	123342	4-74, 4-78
076277	3-30	076337	3-34	077978	4-81	123343	4-74
076278	3-30	076338	3-34	077979	4-81	123344	4-74
076279	3-32	076339	3-36	077980	4-81	123345	4-74
076280	3-32	076340	3-36	077981	4-81	123346	4-74
076281	3-32	076341	3-36	077982	4-81	123347	4-74
076282	3-32	076342	3-36	077983	4-81	123348	4-74
076283	3-32	076343	3-36	077984	4-81	123349	4-74
076284	3-32	076344	3-40	077985	4-81	123350	4-74
076286	3-38	076346	3-40	077986	4-81	123352	4-74
076287	3-38, 3-40	076347	3-40	077993	4-81	123353	4-78
076288	3-38	076348	3-40	077995	4-81	123354	4-78
076289	3-39	076349	3-40	077996	4-81	123355	4-78
076290	3-39	076350	3-40	078138	6-9	123356	4-78
076291	3-39	076351	3-40	078822	6-9	123357	4-78
076292	3-39	076352	3-40	078823	6-9	123358	4-74, 4-78
076293	3-39	076353	3-40	078824	6-9	123359	4-78
076294	3-39	076354	3-40	078825	6-9	123360	4-74, 4-78
076295	3-39	076410	3-28	078826	6-9	123361	4-78
076296	3-14	076411	3-28	078827	6-9	123362	4-74, 4-78
076297	3-14	076412	3-28	079881	6-9	123363	4-78
076298	3-14	076413	3-28	079882	6-12	123364	4-78
076299	3-14	076414	3-28	079883	6-12	123365	4-78
076300	3-14	076415	3-28	079884	6-12	123366	4-78
076301	3-14	076416	3-28	093733	4-28	123367	4-78
076302	3-14	076545	3-12	123069	2-39	123368	4-72
076303	3-14	076558	4-84	123070	2-39	123409	2-39
076304	3-14	076648	3-22	123071	2-39	123413	2-39
076305	3-14	076649	3-21	123072	2-39	123419	4-78
076306	3-14	076670	6-10	123073	2-39	123420	4-78
076307	3-19	076841	2-48	123074	2-39	123460	2-39
076308	3-19	077418	3-16	123075	2-39	123469	4-72
076309	3-19	077453	3-12	123076	2-39	123589	4-16
076310	3-19	077462	3-26	123077	2-39	123636	4-14
076311	3-19	077471	5-14	123170	4-12	123727	4-16
076312	3-19	077481	6-10	123171	4-16	123728	4-14
076313	3-22	077587	8-30	123172	4-26	123753	4-12
076314	3-22	077588	8-30	123173	4-42	123754	4-12
076315	3-22	077589	8-30	123174	4-54	123781	4-12
076316	3-22	077773	3-18	123175	4-58	123782	4-14
076317	3-22, 3-24	077777	4-20	123176	4-70	123783	4-14
076318	3-22	077921	4-81	123177	4-71	123784	4-14
076319	3-22	077923	4-81	123234	2-39	123792	4-12
076320	3-22	077940	4-81	123326	4-74	123793	4-14
076321	3-22	077941	4-81	123328	4-72, 4-81	123803	4-12
076322	3-22	077942	4-81	123329	4-72, 4-81	123804	4-12
076323	3-22	077943	4-81	123330	4-72	123805	4-12
076324	3-24	077944	4-81	123331	4-72	123806	4-12
076325	3-24	077945	4-81	123332	4-72	123807	4-12
076326	3-24	077946	4-81	123333	4-72	123808	4-12
076328	3-24	077947	4-81	123334	4-72	123809	4-12
076329	3-24	077948	4-81	123335	4-72	123810	4-12, 4-18, 4-20
076330	3-24	077949	4-81	123336	4-72	123811	4-12
076331	3-24	077950	4-81	123337	4-72	123812	4-12
076332	3-24	077957	4-81	123338	4-72	123813	4-12
076333	3-24	077958	4-81	123339	4-72, 4-78	123814	4-14
076334	3-34	077959	4-81	123340	4-72	123815	4-14
076335	3-34	077960	4-81	123341	4-72	123816	4-14
		077976	4-81				

Part number index

Part number	Page	Part number	Page	Part number	Page	Part number	Page
123817	4-14	124171	4-26	124291	4-68	124567	4-42
123818	4-14	124172	4-26	124292	4-68	124578	4-50
123819	4-14	124173	4-26	124293	4-68	124579	4-50
123820	4-14	124174	4-26	124299	4-68	124582	4-50
123821	4-14	124175	4-26	124373	4-28	124587	4-50
123822	4-14	124176	4-26	124393	4-70	124600	4-40
123823	4-14	124198	4-26	124394	4-71	124601	4-40
123824	4-12	124199	4-26	124404	4-68	124602	4-40
123828	4-12	124204	4-42	124405	4-68	124603	4-40
123829	4-14	124205	4-42	124406	4-68	124604	4-40
123830	4-12, 4-16	124206	4-42, 4-46	124408	4-68	124605	4-40
123831	4-12, 4-16	124207	4-42	124409	4-68	124606	4-40
123835	4-12	124208	4-42	124410	4-26	124607	4-40
123836	4-12	124209	4-44	124411	4-26	124608	4-40
123839	4-14	124210	4-44	124412	4-28	124609	4-40
123854	4-16	124211	4-44	124413	4-28	124610	4-40
123855	4-16	124212	4-44	124419	4-68	124611	4-40
123856	4-16	124213	4-44	124420	4-70	124612	4-40
123857	4-16	124214	4-44	124421	4-70	124613	4-40
123858	4-16	124215	4-44	124422	4-70	124614	4-26
123860	4-16	124216	4-44	124423	4-70	124618	4-26
123861	4-16	124217	4-44	124424	4-70	124620	4-40
123862	4-16	124218	4-42	124427	4-71	124621	4-40
123863	4-16	124219	4-42	124428	4-71	124622	4-40
123864	4-16	124220	4-44	124429	4-71	124623	4-40
123865	4-16	124224	4-50, 4-52	124430	4-71	124624	4-40
123866	4-16	124225	4-50	124435	4-38	124625	4-40
123867	4-16	124226	4-50	124436	4-38	124626	4-40
123868	4-16	124227	4-50	124437	4-38	124627	4-40
123869	4-16	124228	4-50	124438	4-38	124628	4-40
123870	4-16	124229	4-50	124439	4-38	124629	4-40
123871	4-16	124230	4-50	124440	4-38	124630	4-40
123872	4-16	124231	4-50	124441	4-38	124631	4-40
123873	4-16	124232	4-50	124442	4-38	124632	4-40
123874	4-16	124233	4-50	124443	4-38	124633	4-40
123875	4-16	124235	4-50	124444	4-38	124640	4-34
123877	4-12	124236	4-50	124445	4-38	124641	4-34
123878	4-12	124237	4-50	124446	4-38	124642	4-34
123879	4-12	124240	4-70	124447	4-38	124643	4-34
123894	4-12	124242	4-70	124448	4-38	124644	4-34
123932	4-12	124245	4-70	124450	4-38	124645	4-34
123933	4-12, 4-20	124250	4-71	124460	4-24	124646	4-34
123939	4-14	124251	4-71	124461	4-24	124647	4-34
123987	4-14	124253	4-71	124462	4-24	124648	4-34
124034	4-28	124256	4-26	124463	4-24	124649	4-34
124048	4-42	124261	4-44	124464	4-24	124650	4-34
124049	4-42	124268	4-28	124465	4-24	124651	4-34
124098	4-42	124269	4-28	124466	4-24	124652	4-34
124099	4-42	124270	4-28	124467	4-24	124653	4-34
124100	4-42	124274	4-26	124468	4-24	124660	4-34
124101	4-42	124275	4-26	124469	4-24	124661	4-34
124102	4-42	124276	4-26, 4-32	124470	4-24	124662	4-34
124103	4-42	124277	4-26	124471	4-24	124663	4-34
124148	4-71	124278	4-26	124472	4-24	124664	4-34
124149	4-71	124279	4-28	124473	4-24	124665	4-34
124166	4-26	124280	4-28	124478	4-24	124666	4-34
124167	4-26	124282	4-28	124479	4-24	124667	4-34
124170	4-26	124290	4-68	124480	4-24	124668	4-34

Part number index

Part number	Page	Part number	Page	Part number	Page	Part number	Page
124669	4-34	125362	4-60	125870	4-50	125942	4-52
124670	4-34	125363	4-60	125871	4-50	125943	4-52
124671	4-34	125364	4-60	125872	4-50	125944	4-52
124672	4-34	125365	4-54	125873	2-39	125945	4-52
124673	4-34	125366	4-54	125874	2-39	125946	4-52
124729	4-50	125367	4-54	125875	4-26	125947	4-52
124785	4-26	125368	4-54	125876	4-26	125948	4-52
124931	2-39	125369	4-54	125877	4-26	125949	4-52
124932	2-39	125370	4-56	125878	4-26	125954	4-32
124934	4-40	125371	4-56	125879	4-26	125955	4-32
124941	4-16	125372	4-56	125880	4-28	125956	4-32
124942	4-28	125373	4-56	125881	4-28	125957	4-32
124943	4-16	125378	4-54	125882	4-28	125958	4-32
124944	4-16	125384	4-40	125885	4-42	125960	4-32
124996	4-68	125636	4-81	125886	4-42	125965	4-46
125004	2-39	125760	4-16	125887	4-42	125966	4-46
125005	2-39	125768	4-16	125888	4-42	125967	4-46
125010	4-58	125800	4-72, 4-81	125889	4-42	125968	4-46
125011	4-58	125802	4-72	125890	4-44	125969	4-46
125012	4-58	125804	4-72	125891	4-44	125970	4-46
125050	4-54	125806	4-72	125892	4-44	125971	4-46
125051	4-54	125808	4-72	125893	4-44	125972	4-46
125052	4-54	125810	4-74	125894	4-44	125973	4-46
125054	4-54	125812	4-74	125895	4-44	125974	4-46
125071	4-60	125814	4-74	125896	4-44	125975	4-46
125113	4-58	125816	4-74	125900	4-54	125980	4-57
125114	4-58	125818	4-74	125901	4-54	125981	4-57
125115	4-60	125820	4-74	125902	4-54	125982	4-57
125116	4-60	125822	4-74	125903	4-54	125983	4-57
125117	4-60	125825	4-78	125904	4-56	125984	4-57
125118	4-60	125826	4-78	125905	4-56	125985	4-57
125119	4-60	125828	4-78	125906	4-56	125986	4-57
125120	4-58	125830	4-78	125907	4-56	125989	4-62
125121	4-60	125832	4-78	125908	4-56	125990	4-62
125151	4-60	125834	4-78	125910	4-58	125991	4-62
125153	4-54	125836	4-78	125911	4-58	125992	4-62
125154	4-54, 4-57	125838	4-78	125912	4-58	125993	4-62
125155	4-54	125840	4-78	125913	4-58	125994	4-64
125156	4-56	125842	4-78	125914	4-58	125995	4-64
125157	4-56	125844	4-78	125915	4-60	125996	4-64
125158	4-56	125850	4-12	125916	4-60	125997	4-64
125159	4-56	125851	4-12	125917	4-60	125998	4-64
125160	4-56	125852	4-12	125918	4-60	126042	4-28
125162	4-56	125853	4-12	125919	4-60	126049	4-68
125169	4-14, 4-20	125854	4-12	125925	4-18, 4-20	126102	4-26
125170	4-44, 4-46	125855	4-12	125926	4-18, 4-20	126121	5-36
125171	4-28, 4-32	125856	4-16	125927	4-18	126147	4-18, 4-20
125328	4-54	125857	4-14	125928	4-20	126148	4-20
125329	4-54	125858	4-14	125929	4-18, 4-20	126167	4-52
125343	4-58	125859	4-14	125930	4-18, 4-20	126168	4-52
125344	4-58	125860	4-14	125931	4-18, 4-20	126170	4-52
125355	4-58	125861	4-14	125932	4-20	126171	4-52
125356	4-58	125862	4-14	125933	4-20	126172	4-52
125357	4-58	125865	4-50	125934	4-20	126173	4-52
125358	4-58	125866	4-50	125935	4-20	126174	4-52
125359	4-58	125867	4-50	125937	4-20	126175	4-50, 4-52
125360	4-58, 4-62	125868	4-50	125940	4-52	126176	4-52
125361	4-58	125869	4-50	125941	4-52	126177	4-50, 4-52

Part number index

Part number	Page	Part number	Page	Part number	Page	Part number	Page
126178	4-52	126528	4-42, 4-46	127525	2-48	127678	2-26
126179	4-50, 4-52	126531	4-44	127526	2-48	127679	2-26
126180	4-52	126533	4-20	127527	2-48	127680	2-26
126182	4-52	126534	4-20	127528	2-48	127681	2-30
126183	4-52	126535	4-20	127529	2-48	127682	2-30
126184	4-52	126536	4-32	127530	2-48	127683	2-30
126186	4-46	126537	4-44, 4-46	127531	2-48	127684	2-30
126187	4-46	126538	4-46	127532	2-48	127685	2-30
126188	4-46	126539	4-46	127533	2-50	127686	2-30
126189	4-46	126540	4-46	127534	2-50	127687	2-30
126190	4-46	126541	4-46	127535	2-50	127688	2-30
126191	4-46	126544	4-56	127536	2-50	127689	2-34
126192	4-44, 4-46	126547	4-14, 4-20	127537	2-50	127690	2-34
126193	4-46	126548	4-14	127538	2-50	127691	2-34
126194	4-46	126810	4-18, 4-20	127539	2-56	127692	2-34
126195	4-44, 4-46	126811	4-20	127540	2-56	127693	2-34
126196	4-46	126812	4-18, 4-20	127541	2-56	127694	2-34
126197	4-46	126813	4-18, 4-20	127542	2-56	127695	2-34
126198	4-46	126814	4-18, 4-20	127543	2-56	127696	2-34
126199	4-46	126815	4-14, 4-18, 4-20	127544	2-56	127697	2-26
126226	4-46	126816	4-18, 4-20	127545	2-42	127698	2-26
126227	4-46	126817	4-14, 4-18, 4-20	127546	2-42	127699	2-26
126270	4-46	126818	4-18, 4-20	127547	2-42	127700	2-26
126283	4-44, 4-46	126819	4-14, 4-20	127548	2-42	127701	2-26
126284	4-32	126820	4-20	127549	2-42	127702	2-26
126285	4-32	126821	4-20	127550	2-42	127703	2-30
126287	4-32	126822	4-20	127551	2-42	127704	2-30
126288	4-32	126823	4-20	127552	2-45	127705	2-30
126289	4-32	126824	4-20	127553	2-45	127706	2-30
126290	4-32	126855	4-20	127554	2-45	127707	2-30
126292	4-32	126856	4-20	127555	2-45	127708	2-30
126293	4-28, 4-32	126857	4-20	127556	2-53	127709	2-34
126405	4-18	127073	2-39	127557	2-53	127710	2-34
126406	4-18	127500	2-42	127558	2-53	127711	2-34
126407	4-18	127501	2-42	127559	2-53	127712	2-34
126408	4-18	127502	2-42	127560	2-53	127713	2-34
126409	4-18	127503	2-42	127561	2-53	127714	2-34
126495	4-76	127504	2-42	127562	2-53	127804	1-34
126496	4-76	127505	2-42	127563	2-48	127808	1-34
126497	4-76	127506	2-42	127564	2-48	127818	1-34
126498	4-76	127507	2-42	127565	2-48	127819	1-34
126499	4-76	127508	2-42	127566	2-48	127820	1-34
126500	4-12	127509	2-45	127567	2-48	127821	1-34
126502	4-12	127510	2-45	127568	2-48	127822	1-34
126503	4-12	127511	2-45	127569	2-48	127823	1-34
126504	4-12	127512	2-45	127570	2-50	127824	1-34
126505	4-12	127513	2-45	127574	2-56	127825	1-34
126510	4-14	127514	2-45	127575	2-56	127826	1-34
126513	4-14	127515	2-53	127576	2-56	127861	1-34
126516	4-26	127516	2-53	127577	2-56	127862	1-34
126518	4-26, 4-32	127517	2-53	127670	2-26	127863	1-34
126519	4-26	127518	2-53	127671	2-26	127864	1-34
126521	4-28	127519	2-53	127672	2-26	127865	1-34
126522	4-28	127520	2-53	127673	2-26	127866	1-34
126523	4-28	127521	2-50, 2-53	127674	2-26	127867	1-34
126524	4-42	127522	2-50, 2-53	127675	2-26	128082	4-41
126525	4-42	127523	2-50, 2-53	127676	2-26	128083	4-41
126526	4-42	127524	2-48	127677	2-26	128084	4-41

Part number index

Part number	Page	Part number	Page	Part number	Page	Part number	Page
128085	4-41	129041	5-12	129205	5-8	129273	2-24
128086	4-41	129042	5-12	129206	5-8	129274	2-24
128087	4-41	129043	5-12	129207	5-8	129275	2-24
128088	4-48	129044	5-12	129208	5-8	129276	5-18
128089	4-48	129045	5-12	129209	5-8	129277	5-18
128090	4-48	129046	5-12	129210	5-12	129278	5-18
128091	4-48	129047	5-12	129211	5-10	129279	5-18
128092	4-36	129048	5-16	129212	5-10	129280	5-18
128093	4-36	129049	5-16	129213	5-10	129281	5-18
128094	4-36	129078	5-20, 5-22	129214	5-10	129282	5-18
128095	4-36	129148	5-18	129215	5-10	129283	5-18
128096	4-36	129149	5-10	129216	5-10	129284	5-18
128097	4-36	129150	5-8, 5-12	129217	5-16	129285	5-18
128106	4-22	129151	5-8, 5-12	129218	5-16	129286	5-18
128107	4-22	129152	5-8	129219	5-16	129287	5-18
128108	4-22	129153	5-8	129220	5-16	129288	5-18
128109	4-22	129154	5-8	129221	5-16	129289	5-18
128110	4-22	129155	5-8	129222	5-16	129290	5-18
128111	4-22	129156	5-8	129223	5-16	129291	2-44
128151	4-36	129157	5-8	129224	5-10, 5-16	129292	2-44
128154	4-36	129158	5-8	129225	5-16	129293	2-44
128170	4-22	129159	5-8	129226	5-10, 5-16	129294	2-44
128171	4-22	129160	5-8	129227	5-16	129295	2-44
128172	4-22	129161	5-8, 5-16	129228	5-10, 5-16	129296	2-44
128173	4-22	129162	5-8	129229	5-16	129297	2-44
128174	4-36	129163	5-8	129230	5-16	129298	2-44
128175	4-36	129164	5-10	129231	5-16	129299	2-44
128176	4-36	129165	5-10	129232	5-16	129300	2-44
128177	4-36	129166	5-10	129233	5-16	129301	5-20
128178	4-41	129167	5-10	129244	2-40	129302	5-20
128179	4-41	129168	5-10	129245	2-40	129303	5-20
128180	4-41	129169	5-10	129246	2-40	129304	5-20
128181	4-41	129170	5-10	129247	2-40	129305	5-20
128182	4-48	129171	5-10	129248	2-40	129306	5-20
128197	4-22	129172	5-10	129249	2-40	129307	5-20
128960	1-35, 2-64	129173	5-10	129250	2-40	129308	5-20
128961	1-35, 2-64	129183	5-12	129251	2-40	129309	5-20
128962	1-35, 2-64	129184	5-12	129252	2-40	129310	5-20, 5-22
128963	1-35, 2-64	129185	5-12	129253	2-40	129311	5-20
128964	1-35, 2-64	129186	5-12	129254	2-40	129312	5-20
128965	1-35, 2-64	129187	5-12	129255	2-40	129313	5-20
128966	1-35, 2-64	129188	5-12	129256	2-40	129314	5-20, 5-22
128974	1-35, 2-64	129189	5-12	129257	2-40	129315	5-20
128975	1-35, 2-64	129190	5-12	129258	2-40	129316	5-20
128976	1-35, 2-64	129191	5-12	129259	2-40	129317	5-20
128977	1-35, 2-64	129192	5-12	129260	2-24	129318	5-20
128978	1-35, 2-64	129193	5-12	129261	2-24	129319	5-20
128980	1-35, 2-64	129194	5-12	129262	2-24	129321	5-20
128989	1-35, 2-64	129195	5-12	129263	2-24	129322	5-20
128990	1-35, 2-64	129196	5-12	129264	2-24	129323	5-20
128991	1-35, 2-64	129197	5-12	129265	2-24	129324	5-20
128992	1-35, 2-64	129198	5-12	129266	2-24	129325	5-20
128993	1-35, 2-64	129199	5-12	129267	2-24	129326	5-20
128994	1-35, 2-64	129200	5-12	129268	2-24	129327	5-20
128996	1-35, 2-64	129201	5-12	129269	2-24	129328	5-20
128997	1-35, 2-64	129202	5-12	129270	2-24	129329	5-20
128998	4-24	129203	5-8, 5-12	129271	2-24	129330	5-22
129040	5-12	129204	5-8	129272	2-24	129331	5-22

Part number index

Part number	Page	Part number	Page	Part number	Page	Part number	Page
129332	5-22	129420	5-8, 5-12	129505	5-32, 5-34	129563	2-24
129333	5-22	129421	5-8	129506	5-32, 5-34	129564	2-24
129334	5-22	129422	5-8, 5-16	129507	5-32, 5-34	129565	2-24
129335	5-22	129423	5-8	129508	5-32, 5-34	129566	2-24
129336	5-22	129424	5-8, 5-16	129509	5-34	129567	2-33
129337	5-20, 5-22	129425	5-10, 5-16	129510	5-34	129568	2-33
129339	2-46	129426	5-10, 5-16	129511	5-25	129569	2-33
129340	2-46	129427	5-10, 5-16	129512	5-25	129570	2-33
129341	2-46	129428	5-10, 5-16	129513	5-25	129571	2-33
129342	2-46	129429	5-10, 5-16	129514	5-25	129572	2-33
129343	2-46	129430	5-10, 5-16	129515	5-25	129573	2-29
129344	2-46	129431	5-10, 5-16	129516	5-48	129574	2-29
129345	2-46	129432	5-8	129517	5-48	129575	2-29
129346	2-46	129433	5-12	129518	5-48, 5-52	129576	2-29
129347	2-46	129434	5-12	129519	5-48, 5-52	129577	2-29
129348	2-46	129435	5-12	129520	5-48, 5-52	129578	2-29
129349	2-46	129436	5-12	129521	5-50, 5-52	129579	2-37
129350	2-46	129437	5-12	129522	5-50, 5-52	129580	2-37
129351	2-46	129438	5-12	129523	5-50, 5-52	129581	2-37
129352	2-46	129439	5-12	129524	5-50, 5-52	129582	2-37
129353	2-46	129440	5-12	129525	5-50, 5-52	129583	2-37
129354	2-46	129441	5-12	129526	5-50, 5-52	129584	2-37
129355	2-29	129453	5-16	129527	5-50, 5-52	129585	2-37
129356	2-29	129454	5-16	129528	5-52	129602	2-24, 2-40
129357	2-29	129457	5-18	129529	5-52	129603	2-40
129358	2-29	129458	5-18	129530	2-40	129605	2-24
129359	2-29	129459	5-18	129531	2-40	129606	2-24, 2-40
129360	2-29	129460	5-18	129532	2-40	129611	2-40
129361	2-29	129461	5-18	129533	2-40	129612	2-24
129362	2-29	129462	5-18	129534	2-40	129613	2-24, 2-40
129363	2-29	129463	5-18	129535	2-40	129615	5-25
129364	2-29	129464	5-27	129536	2-40	129616	5-25
129365	2-29	129465	5-27	129537	2-44	129617	5-25
129366	2-29	129466	5-27, 5-30	129538	2-44	129618	5-25
129367	2-29	129467	5-27, 5-30	129539	2-44	129619	5-25
129368	2-29	129468	5-27, 5-30	129540	2-44	129620	5-25
129369	5-22	129469	5-28, 5-30	129541	2-51	129621	5-25
129371	5-10	129470	5-28, 5-30	129542	2-51	129622	5-25
129372	5-12	129471	5-28, 5-30	129543	2-51	129623	5-25
129373	5-20	129472	5-28, 5-30	129544	2-51	129624	5-25
129374	5-28	129473	5-28, 5-30	129545	2-51	129625	5-25
129375	5-32	129474	5-28, 5-30	129546	2-51	129626	5-25
129376	5-10	129475	5-28, 5-30	129547	2-51	129627	2-49
129377	5-12	129486	5-30	129548	2-46	129629	2-49
129378	5-20	129487	5-30	129549	2-46	129631	2-49
129379	5-28	129490	5-20	129550	2-46	129632	2-49
129380	5-32	129491	5-20	129551	2-46	129634	2-49
129381	5-16	129492	5-20, 5-22	129552	2-46	129635	2-49
129383	5-16	129493	5-20, 5-22	129553	2-46	129637	5-27
129385	5-16	129494	5-20, 5-22	129554	2-46	129638	5-27
129387	5-16	129495	5-20, 5-22	129555	2-49	129639	5-27
129392	2-40	129496	5-20, 5-22	129556	2-49	129640	5-27
129393	2-40	129497	5-20, 5-22	129557	2-49	129641	5-27
129394	2-46	129498	5-20, 5-22	129558	2-49	129642	5-27
129395	2-51	129501	5-32, 5-34	129559	2-24	129643	5-27
129396	2-40	129502	5-32, 5-34	129560	2-24	129644	5-27
129417	5-52	129503	5-32, 5-34	129561	2-24	129645	5-27
129419	5-8, 5-16	129504	5-32, 5-34	129562	2-24	129646	5-27, 5-30

Part number index

Part number	Page	Part number	Page	Part number	Page	Part number	Page
129647	5-27	129721	2-33	129779	5-48	129837	2-37
129648	5-27	129722	2-33	129780	5-48	129838	2-37
129649	5-28	129723	2-33	129781	5-48	129839	2-37
129650	5-28	129724	2-33	129782	5-48	129840	2-37
129651	5-28	129725	2-33	129783	5-48, 5-52	129841	5-8
129652	5-28	129726	2-33	129784	5-48	129842	5-8
129653	5-28	129727	2-33	129785	5-48	129843	5-8
129654	5-28	129728	2-33	129786	5-50	129844	5-50
129655	5-28	129729	2-33	129787	5-50, 5-52	129845	5-50
129656	5-28	129730	2-33	129788	5-50	129889	5-52
129657	5-28	129731	2-33	129789	5-50	129890	5-52
129658	5-28	129732	2-33	129790	5-50	129891	5-52
129667	5-27	129733	2-33	129791	5-50	129892	5-52
129668	5-27	129734	2-33	129792	5-50	129893	5-52
129669	5-27	129735	5-32	129793	5-50	129894	5-52
129670	5-27	129736	5-32	129794	5-50	129895	5-52
129671	5-27	129737	5-32	129795	5-50	129896	5-52
129672	5-28	129738	5-32, 5-34	129796	5-48	129897	5-52
129673	5-28	129739	5-32	129797	5-48	129898	5-52
129674	5-28	129740	5-32	129798	5-48	129899	5-52
129675	5-28	129741	5-32, 5-34	129799	5-48	129967	2-24, 2-29, 2-33, 2-37, 2-40, 2-44, 2-46, 2-49, 2-51, 2-54
129676	5-28	129742	5-32, 5-34	129800	5-48	129968	2-24, 2-29, 2-33, 2-37, 2-40, 2-44, 2-46, 2-49, 2-51, 2-54
129677	5-28	129743	5-32	129801	5-50	129969	2-24, 2-29, 2-33, 2-37, 2-40, 2-44, 2-46, 2-49, 2-51, 2-54
129678	5-28	129744	5-32	129802	5-50	129970	2-24, 2-29, 2-33, 2-37, 2-40, 2-44, 2-46, 2-49, 2-51, 2-54
129679	5-30	129745	5-32	129803	5-50	129971	2-24, 2-29, 2-33, 2-37, 2-40, 2-44, 2-46, 2-49, 2-51, 2-54
129680	5-30	129746	5-32	129804	5-50	129972	2-24, 2-29, 2-33, 2-37, 2-40, 2-44, 2-46, 2-49, 2-51, 2-54
129681	5-30	129747	5-32	129805	5-50	129973	2-24, 2-29, 2-33, 2-37, 2-40, 2-44, 2-46, 2-49, 2-51, 2-54
129682	5-30	129748	5-32	129806	5-50	129974	2-24, 2-29, 2-33, 2-37, 2-40, 2-44, 2-46, 2-49, 2-51, 2-54
129683	5-30	129749	5-32	129807	5-50	129975	2-24, 2-29, 2-33, 2-37, 2-46, 2-51
129684	5-30	129750	5-32	129808	5-52	129976	2-37, 2-40, 2-46, 2-51
129685	5-30	129751	5-32	129809	5-52	129977	2-37, 2-40, 2-46, 2-51
129686	5-30	129752	5-32	129810	5-52	129978	2-24, 2-29, 2-33, 2-37, 2-40, 2-46, 2-51
129687	5-28, 5-30	129753	5-32	129811	5-52	129979	2-24, 2-29, 2-33, 2-37, 2-40, 2-46, 2-51
129688	5-30	129754	5-32	129812	5-52	129980	2-24, 2-29, 2-33, 2-37, 2-40, 2-44, 2-46, 2-51, 2-54
129689	5-28, 5-30	129755	5-32	129813	5-52	129981	2-24, 2-29, 2-33, 2-37, 2-40, 2-44, 2-46, 2-51, 2-54
129690	5-30	129756	5-32	129814	5-52		
129691	5-28, 5-30	129757	5-32	129815	5-50, 5-52		
129692	5-30	129758	5-34	129816	5-52		
129693	5-30	129759	5-34	129817	5-50, 5-52		
129694	5-30	129760	5-34	129818	5-52		
129695	5-30	129761	5-34	129819	5-50, 5-52		
129696	5-30	129762	5-34	129820	5-52		
129705	2-51	129763	5-34	129821	5-52		
129706	2-51	129764	5-34	129822	5-52		
129707	2-51	129765	5-32, 5-34	129823	5-52		
129708	2-51	129766	5-34	129824	5-52		
129709	2-51	129767	5-32, 5-34	129825	2-37		
129710	2-51	129768	5-34	129826	2-37		
129711	2-51	129769	5-32, 5-34	129827	2-37		
129712	2-51	129770	5-34	129828	2-37		
129713	2-51	129771	5-34	129829	2-37		
129714	2-51	129772	5-34	129830	2-37		
129715	2-51	129773	5-34	129831	2-37		
129716	2-51	129774	5-48	129832	2-37		
129717	2-51	129775	5-48	129833	2-37		
129718	2-51	129776	5-48	129834	2-37		
129719	2-51	129777	5-48	129835	2-37		
129720	2-51	129778	5-48	129836	2-37		

Part number index

Part number	Page	Part number	Page	Part number	Page	Part number	Page
129982	2-24, 2-29, 2-33, 2-37, 2-44, 2-46, 2-51, 2-54	130689	5-14	132559	8-17	133304	8-17
129983	2-24, 2-29, 2-33, 2-37, 2-40, 2-44, 2-46, 2-51, 2-54	130691	5-14	132564	8-15, 8-17, 8-18, 8-22	133305	8-17
129984	2-24, 2-29, 2-33, 2-37, 2-46, 2-51	130692	5-14	132565	8-15, 8-17, 8-18, 8-22	133344	8-10, 8-25
129985	2-37, 2-40, 2-46, 2-51	130693	5-14	132566	8-15, 8-17, 8-18, 8-22	133392	8-15
129986	2-24, 2-29, 2-33, 2-37, 2-40, 2-46, 2-51	130694	5-14	132567	8-15, 8-22	133550	8-15
129988	2-44	130695	5-14	132591	8-17	133565	8-17
129989	2-44	130696	5-14	132594	8-17	133566	8-17
129990	2-44	130697	5-14	132597	8-17	133583	8-10
129991	2-44	130698	5-14	132766	8-15	133584	8-10
130044	8-27	130699	5-14	132767	8-15	133585	8-10
130045	8-27	130700	5-14	132768	8-15	133586	8-10
130047	8-27	130701	5-14	132811	8-18, 8-23	133590	8-12
130049	8-27	130702	5-14	132814	8-15, 8-17, 8-18, 8-23	133591	8-12
130050	8-27	132151	8-18	132816	8-15, 8-17, 8-18, 8-23	133592	8-12
130051	8-27	132152	8-18	132819	8-15, 8-17, 8-18, 8-23	133593	8-12
130054	8-27	132153	8-18	132822	8-15, 8-23	133594	8-12
130056	8-27	132154	8-18	132834	8-11, 8-26	133595	8-12
130057	8-27	132155	8-18	132924	8-15	133596	8-12
130058	8-27	132156	8-18	132925	8-15	133669	8-15
130059	8-27	132157	8-18	132926	8-15	133932	8-13, 8-18, 8-23
130060	8-27	132158	8-18	132950	8-10	133933	8-13, 8-18, 8-23
130062	8-27	132159	8-18	132951	8-10	133937	8-13, 8-18, 8-23
130063	8-27	132160	8-18	132952	8-12	133938	8-13, 8-18, 8-23
130064	8-27	132161	8-18	132953	8-12	133959	8-15
130065	8-27	132192	8-13, 8-25	132954	8-12	133960	8-15
130066	8-27	132193	8-13, 8-25	132955	8-12	133961	8-15
130067	8-27	132198	8-13, 8-25	132956	8-12	133980	8-10
130068	8-27	132203	8-19, 8-30	132957	8-12	133981	8-10
130069	8-27	132205	8-19, 8-30	132958	8-12	133982	8-10
130070	8-27	132383	8-18	132959	8-10	133983	8-10
130071	8-27	132384	8-18, 8-26	132983	8-10	133984	8-10
130073	8-27	132385	8-18	132984	8-10	133985	8-10
130078	8-27	132386	8-18	132985	8-10	133986	8-10
130354	4-24	132387	8-18	132986	8-10	133987	8-10
130355	4-24	132388	8-18	132987	8-10	133988	8-13
130356	4-24	132389	8-18	132988	8-10	133989	8-13
130357	4-24	132420	8-19	132989	8-10	133990	8-13
130358	4-24	132421	8-19	132990	8-10	133991	8-13
130359	4-24	132422	8-19	132991	8-10	133992	8-13
130360	4-24	132423	8-19	132992	8-10	133993	8-13
130361	4-24	132424	8-19	133116	8-11	133994	8-13
130362	4-34	132425	8-19	133203	8-10	133995	8-15, 8-17
130363	4-34	132426	8-19	133245	8-10	133996	8-15, 8-17
130364	4-34	132427	8-19	133250	8-10	133997	8-15, 8-17
130365	4-34	132428	8-19	133255	8-10	134200	8-12
130366	4-34	132429	8-19	133260	8-10	134201	8-12
130367	4-30	132430	8-19	133265	8-10	134202	8-12
130368	4-30	132474	8-18	133270	8-10	134203	8-12
130369	4-30	132475	8-18	133275	8-10	134204	8-12
130370	4-30	132476	8-18	133280	8-10	134205	8-12
130371	4-30	132477	8-18	133285	8-12	134206	8-12
130372	4-30	132538	8-17	133292	8-12	134207	8-12
130373	4-30	132539	8-17	133293	8-12	134208	8-12
		132542	8-18, 8-22	133294	8-12	134209	8-12
		132546	8-13, 8-18, 8-22	133295	8-12	134210	8-12
		132547	8-13, 8-18, 8-22	133296	8-12	134211	8-12
		132548	8-13, 8-18, 8-22	133297	8-12	134212	8-12
		132549	8-13, 8-18, 8-22	133303	8-17	134213	8-12

Part number index

Part number	Page	Part number	Page	Part number	Page	Part number	Page
134516	8-21	135181	4-64	136131	5-40	136189	5-46, 5-47
134517	8-21	135182	4-62	136132	5-40	136190	5-47
134518	8-21	135183	4-60, 4-64	136133	5-40	136191	5-46, 5-47
134519	8-21	135184	4-60, 4-64	136134	5-40	136192	5-47
134520	8-21	135185	4-60, 4-64	136135	5-40	136193	5-46, 5-47
134521	8-21	135290	8-27	136136	5-40	136194	5-47
134716	8-21	135291	8-27	136137	5-40, 5-44	136195	5-47
134717	8-21	135292	8-27	136138	5-40	136196	5-47
134718	8-21	135293	8-27	136139	5-40	136197	5-47
134719	8-21	135294	8-27	136140	5-40	136198	5-47
134720	8-21	135295	8-27	136141	5-40	136210	5-36
134721	8-21	135296	8-27	136142	5-42	136211	5-36, 5-38
134779	8-21	135297	8-27	136143	5-42	136212	5-36, 5-38
134796	8-28	135298	8-27	136144	5-42	136213	5-36, 5-38
134798	8-28	135299	8-27	136145	5-42	136214	5-36, 5-38
134800	8-28	135700	8-27	136146	5-42	136215	5-36, 5-38
134803	8-28	135704	8-27	136147	5-42	136216	5-36, 5-38
134806	8-28	135708	8-27	136148	5-42	136217	5-36, 5-38
134809	8-28	135712	8-27	136149	5-42	136218	5-36, 5-38
134869	8-21	135716	8-27	136150	5-42	136219	5-40
134870	8-21	135720	8-27	136151	5-42	136220	5-40, 5-44
134871	8-21	135724	8-27	136152	5-46	136221	5-40, 5-44
134872	8-21	135728	8-27	136153	5-46	136222	5-40, 5-44
134873	8-21	135732	8-27	136154	5-46	136223	5-40, 5-44
134874	8-21	135736	8-27	136155	5-46	136224	5-42, 5-44
134875	8-21	136070	4-67	136156	5-46	136225	5-42, 5-44
134876	8-21	136071	4-67	136157	5-46	136226	5-42, 5-44
134877	8-21	136072	4-67	136158	5-46	136227	5-42, 5-44
134886	8-21	136073	4-67	136159	5-38	136228	5-42, 5-44
134887	8-21	136074	4-67	136160	5-38	136229	5-42, 5-44
134888	8-21	136075	4-67	136161	5-38	136230	5-44
134889	8-21	136076	4-67	136162	5-38	136231	5-46, 5-47
134890	8-21	136080	4-67	136163	5-38	136232	5-46, 5-47
134891	8-21	136081	4-66, 4-67	136164	5-38	136233	5-46, 5-47
135081	4-57	136082	4-66, 4-67	136165	5-38	136234	5-46, 5-47
135102	4-57	136083	4-66, 4-67	136166	5-38	136235	5-46, 5-47
135105	4-57	136084	4-67	136167	5-36, 5-38	136236	5-47
135106	4-57	136085	4-67	136168	5-38	136237	5-47
135107	4-57	136110	5-36	136169	5-36, 5-38	136238	5-36
135109	4-57	136111	5-36	136170	5-44	136239	5-36
135111	4-57	136112	5-36	136171	5-44	136240	5-36
135116	4-62	136113	5-36	136172	5-44	136241	5-36
135117	4-62	136114	5-36	136173	5-44	136242	5-36
135118	4-62	136115	5-36	136174	5-44	136243	5-36
135120	4-62	136116	5-36	136175	5-44	136244	5-36
135121	4-62	136117	5-36, 5-38	136176	5-44	136245	5-36
135123	4-64	136118	5-36	136177	5-44	136246	5-36
135125	4-64	136119	5-36	136178	5-42, 5-44	136247	5-40
135127	4-64	136120	5-36	136179	5-44	136248	5-40
135129	4-64	136122	5-36	136180	5-42, 5-44	136249	5-40
135130	4-64	136123	5-36	136181	5-44	136250	5-40
135135	8-27	136124	5-36	136182	5-42, 5-44	136251	5-40
135136	8-27	136125	5-36	136183	5-44	136252	5-42
135137	8-27	136126	5-36	136184	5-44	136253	5-42
135138	8-27	136127	5-36	136185	5-44	136254	5-42
135170	4-57	136128	5-36	136186	5-47	136255	5-42
135171	4-56, 4-57	136129	5-36	136187	5-47	136257	5-42
135172	4-56, 4-57	136130	5-40	136188	5-47	136258	5-16

Part number index

Part number	Page	Part number	Page	Part number	Page	Part number	Page
136259	5-16	136320	2-54	136389	5-18	136537	5-10, 5-12, 5-14, 5-20, 5-28, 5-32, 5-36, 5-42, 5-46, 5-50, 5-54
136260	5-16	136321	2-54	136521	5-8, 5-12, 5-20, 5-24, 5-26, 5-27, 5-48, 5-54	136538	5-10, 5-12, 5-14, 5-20, 5-28, 5-32, 5-36, 5-42, 5-46, 5-50, 5-54
136261	5-16	136322	2-54	136522	5-8, 5-12, 5-18, 5-20, 5-24, 5-25, 5-26, 5-27, 5-36, 5-40, 5-48, 5-54	136539	5-32, 5-42, 5-50, 5-54
136262	5-16	136323	2-54	136523	5-8, 5-12, 5-18, 5-20, 5-24, 5-25, 5-26, 5-27, 5-36, 5-40, 5-48, 5-54	136540	5-10, 5-12, 5-28, 5-42, 5-50, 5-54
136263	5-16	136324	2-54	136524	5-8, 5-12, 5-14, 5-18, 5-20, 5-24, 5-25, 5-26, 5-27, 5-36, 5-40, 5-48, 5-54	136541	5-16, 5-22, 5-30, 5-34, 5-38, 5-44, 5-52, 5-54
136264	5-16	136325	2-54	136525	5-8, 5-12, 5-18, 5-20, 5-24, 5-25, 5-26, 5-27, 5-32, 5-36, 5-40, 5-48, 5-54	136542	5-16, 5-22, 5-30, 5-34, 5-38, 5-44, 5-52, 5-54
136265	5-16	136326	2-54	136526	5-8, 5-12, 5-14, 5-18, 5-20, 5-24, 5-25, 5-26, 5-27, 5-32, 5-36, 5-40, 5-48, 5-54	136543	5-16, 5-22, 5-30, 5-34, 5-38, 5-44, 5-52, 5-54
136266	5-16	136327	2-54	136527	5-8, 5-12, 5-14, 5-18, 5-20, 5-24, 5-25, 5-26, 5-27, 5-32, 5-36, 5-40, 5-48, 5-54	136544	5-16, 5-22, 5-30, 5-34, 5-38, 5-44, 5-47, 5-52, 5-54
136267	5-16	136328	2-54	136528	5-8, 5-12, 5-16, 5-18, 5-20, 5-22, 5-24, 5-25, 5-26, 5-27, 5-30, 5-32, 5-34, 5-40, 5-44, 5-48, 5-52, 5-54	136545	5-16, 5-22, 5-30, 5-34, 5-38, 5-44, 5-47, 5-52, 5-54
136268	5-22	136329	2-54	136529	5-8, 5-12, 5-14, 5-18, 5-20, 5-24, 5-25, 5-26, 5-27, 5-32, 5-36, 5-40, 5-48, 5-54	136546	5-16, 5-22, 5-30, 5-34, 5-38, 5-44, 5-47, 5-52, 5-54
136269	5-22	136330	2-54	136530	5-10, 5-12, 5-18, 5-20, 5-28, 5-32, 5-34, 5-36, 5-40, 5-50, 5-52, 5-54	136547	5-10, 5-16, 5-28, 5-30, 5-34, 5-44, 5-47, 5-52, 5-54
136270	5-22	136331	5-24	136531	5-10, 5-12, 5-18, 5-20, 5-22, 5-28, 5-32, 5-34, 5-36, 5-42, 5-50, 5-52, 5-54	136548	5-10, 5-16, 5-28, 5-30, 5-32, 5-34, 5-42, 5-44, 5-46, 5-47, 5-50, 5-52, 5-54
136271	5-22	136332	5-24	136532	5-10, 5-12, 5-14, 5-18, 5-20, 5-28, 5-32, 5-36, 5-42, 5-50, 5-54	136549	5-16, 5-30, 5-44, 5-47, 5-52, 5-54
136272	5-22	136333	5-24	136533	5-10, 5-12, 5-14, 5-18, 5-20, 5-28, 5-32, 5-36, 5-42, 5-50, 5-54	136550	5-16, 5-30, 5-34, 5-44, 5-47, 5-52, 5-54
136273	5-22	136334	5-24	136534	5-10, 5-12, 5-14, 5-18, 5-20, 5-25, 5-28, 5-32, 5-36, 5-42, 5-46, 5-50, 5-54	136551	5-16, 5-30, 5-34, 5-44, 5-47, 5-52, 5-54
136274	5-22	136335	5-24	136535	5-10, 5-12, 5-14, 5-18, 5-20, 5-25, 5-28, 5-32, 5-36, 5-42, 5-46, 5-50, 5-54	136552	5-16, 5-30, 5-34, 5-47, 5-52, 5-54
136275	5-30	136336	5-24	136536	5-10, 5-12, 5-14, 5-20, 5-28, 5-32, 5-36, 5-42, 5-46, 5-50, 5-54	136553	5-8, 5-12, 5-18, 5-20, 5-24, 5-26, 5-27, 5-36, 5-40, 5-48, 5-54
136276	5-30	136337	5-24	136537	5-10, 5-12, 5-14, 5-18, 5-20, 5-28, 5-32, 5-36, 5-42, 5-50, 5-54	136554	5-8, 5-12, 5-14, 5-18, 5-20, 5-24, 5-26, 5-27, 5-36, 5-40, 5-48, 5-54
136277	5-30	136338	5-24	136538	5-10, 5-12, 5-14, 5-18, 5-20, 5-25, 5-28, 5-32, 5-36, 5-42, 5-46, 5-50, 5-54	136555	5-8, 5-12, 5-14, 5-18, 5-20, 5-24, 5-26, 5-27, 5-32, 5-36, 5-40, 5-48, 5-54
136278	5-30	136339	5-24	136539	5-10, 5-12, 5-14, 5-18, 5-20, 5-25, 5-28, 5-32, 5-36, 5-42, 5-46, 5-50, 5-54	136556	5-8, 5-12, 5-14, 5-18, 5-20, 5-24, 5-26, 5-27, 5-32, 5-36, 5-40, 5-48, 5-54
136279	5-30	136340	5-24	136540	5-10, 5-12, 5-14, 5-18, 5-20, 5-25, 5-28, 5-32, 5-36, 5-42, 5-46, 5-50, 5-54	136557	5-10, 5-12, 5-14, 5-20, 5-28, 5-32, 5-36, 5-42, 5-50, 5-54
136280	5-30	136341	5-24	136541	5-10, 5-12, 5-14, 5-18, 5-20, 5-25, 5-28, 5-32, 5-36, 5-42, 5-46, 5-50, 5-54		
136281	5-30	136342	5-24	136542	5-10, 5-12, 5-14, 5-18, 5-20, 5-25, 5-28, 5-32, 5-36, 5-42, 5-46, 5-50, 5-54		
136282	5-30	136343	5-26	136543	5-10, 5-12, 5-14, 5-18, 5-20, 5-25, 5-28, 5-32, 5-36, 5-42, 5-46, 5-50, 5-54		
136283	5-30	136344	5-26	136544	5-10, 5-12, 5-14, 5-18, 5-20, 5-25, 5-28, 5-32, 5-36, 5-42, 5-46, 5-50, 5-54		
136284	5-30	136345	5-26	136545	5-10, 5-12, 5-14, 5-18, 5-20, 5-25, 5-28, 5-32, 5-36, 5-42, 5-46, 5-50, 5-54		
136285	5-30	136346	5-26	136546	5-10, 5-12, 5-14, 5-18, 5-20, 5-25, 5-28, 5-32, 5-36, 5-42, 5-46, 5-50, 5-54		
136286	5-34	136347	5-26	136547	5-10, 5-12, 5-14, 5-18, 5-20, 5-25, 5-28, 5-32, 5-36, 5-42, 5-46, 5-50, 5-54		
136287	5-34	136348	5-26	136548	5-10, 5-12, 5-14, 5-18, 5-20, 5-25, 5-28, 5-32, 5-36, 5-42, 5-46, 5-50, 5-54		
136288	5-34	136349	5-26	136549	5-10, 5-12, 5-14, 5-18, 5-20, 5-25, 5-28, 5-32, 5-36, 5-42, 5-46, 5-50, 5-54		
136289	5-34	136350	5-26	136550	5-10, 5-12, 5-14, 5-18, 5-20, 5-25, 5-28, 5-32, 5-36, 5-42, 5-46, 5-50, 5-54		
136290	5-34	136351	5-26	136551	5-10, 5-12, 5-14, 5-18, 5-20, 5-25, 5-28, 5-32, 5-36, 5-42, 5-46, 5-50, 5-54		
136291	5-34	136352	5-26	136552	5-10, 5-12, 5-14, 5-18, 5-20, 5-25, 5-28, 5-32, 5-36, 5-42, 5-46, 5-50, 5-54		
136293	5-34	136353	5-26	136553	5-10, 5-12, 5-14, 5-18, 5-20, 5-25, 5-28, 5-32, 5-36, 5-42, 5-46, 5-50, 5-54		
136294	5-34	136354	5-26	136554	5-10, 5-12, 5-14, 5-18, 5-20, 5-25, 5-28, 5-32, 5-36, 5-42, 5-46, 5-50, 5-54		
136295	5-34	136355	5-24	136555	5-10, 5-12, 5-14, 5-18, 5-20, 5-25, 5-28, 5-32, 5-36, 5-42, 5-46, 5-50, 5-54		
136296	5-38	136356	5-24				
136297	5-38	136357	5-24				
136298	5-38	136358	5-24				
136299	5-38	136359	5-24				
136300	5-38	136360	5-26				
136301	5-38	136361	5-26				
136302	5-38	136362	5-26				
136303	5-44	136363	5-26				
136304	5-44	136364	5-26				
136305	5-44	136365	5-18				
136306	5-44	136366	5-18				
136307	5-44	136367	5-18				
136308	5-44	136368	5-18				
136309	5-44	136369	5-18				
136310	5-44	136370	5-18				
136311	5-44	136371	5-18				
136312	5-44	136383	5-18				
136315	2-54	136384	5-18				
136316	2-54	136385	5-18				
136317	2-54	136386	5-18				
136318	2-54	136387	5-18				
136319	2-54	136388	5-18				

Part number index

Part number	Page	Part number	Page	Part number	Page	Part number	Page
136558	5-10, 5-12, 5-14, 5-18, 5-20, 5-28, 5-32, 5-36, 5-42, 5-46, 5-50, 5-54	136599	5-16, 5-22, 5-30, 5-34, 5-38, 5-44, 5-47, 5-52, 5-54	136736	1-28	136796	1-20
136559	5-10, 5-12, 5-14, 5-20, 5-28, 5-32, 5-36, 5-42, 5-46, 5-50, 5-54	136600	5-10, 5-12, 5-16, 5-20, 5-22, 5-28, 5-30, 5-32, 5-34, 5-36, 5-38, 5-42, 5-44, 5-47, 5-50, 5-52, 5-54	136737	1-28	136797	1-20
136560	5-32, 5-42, 5-46, 5-50, 5-54	136601	5-10, 5-12, 5-16, 5-20, 5-22, 5-28, 5-30, 5-32, 5-34, 5-36, 5-38, 5-42, 5-44, 5-47, 5-50, 5-52, 5-54	136738	1-28	136798	1-20
136561	5-16, 5-22, 5-30, 5-34, 5-38, 5-44, 5-52, 5-54	136602	5-16	136739	1-28	136799	1-20
136562	5-16, 5-22, 5-30, 5-34, 5-38, 5-44, 5-52, 5-54	136603	5-16, 5-30, 5-34, 5-47, 5-52, 5-54	136740	1-15	136800	1-20
136563	5-16, 5-22, 5-30, 5-34, 5-38, 5-44, 5-52, 5-54	136657	5-18	136741	1-15	136801	1-24
136564	5-16, 5-22, 5-30, 5-34, 5-38, 5-44, 5-52, 5-54	136695	1-15	136742	1-15	136802	1-24
136565	5-16, 5-22, 5-30, 5-34, 5-38, 5-44, 5-54	136696	1-15	136743	1-15	136803	1-24
136566	5-16, 5-22, 5-30, 5-34, 5-38, 5-44, 5-52, 5-54	136697	1-15	136744	1-15	136804	1-24
136567	5-22, 5-30, 5-34, 5-38, 5-44, 5-52, 5-54	136698	1-15	136745	1-15	136805	1-24
136568	5-10, 5-16, 5-28, 5-30, 5-34, 5-44, 5-52, 5-54	136699	1-15	136746	1-15	136806	1-24
136569	5-16, 5-30, 5-44, 5-52, 5-54	136700	1-15	136747	1-17	136808	1-24
136570	5-16, 5-30, 5-34, 5-44, 5-52, 5-54	136701	1-15	136748	1-17	136809	1-22
136571	5-16, 5-30, 5-34, 5-52, 5-54	136702	1-15	136749	1-17	136810	1-22
136588	5-8, 5-12, 5-20, 5-24, 5-26, 5-27, 5-48, 5-54	136703	1-15	136750	1-17	136811	1-22
136589	5-8, 5-12, 5-20, 5-24, 5-26, 5-27, 5-48, 5-54	136704	1-17	136751	1-19	136812	1-22
136590	5-8, 5-12, 5-18, 5-20, 5-24, 5-25, 5-26, 5-27, 5-36, 5-40, 5-48, 5-54	136705	1-17	136752	1-19	136813	1-22
136591	5-8, 5-12, 5-18, 5-20, 5-24, 5-25, 5-26, 5-27, 5-32, 5-36, 5-40, 5-48, 5-54	136706	1-17	136753	1-19	136814	1-22
136592	5-10, 5-12, 5-18, 5-20, 5-28, 5-32, 5-36, 5-40, 5-50, 5-54	136707	1-17	136754	1-19	136817	1-21
136593	5-10, 5-12, 5-18, 5-20, 5-28, 5-32, 5-36, 5-40, 5-50, 5-54	136708	1-17	136755	1-19	136818	1-21
136594	5-10, 5-12, 5-14, 5-20, 5-28, 5-32, 5-36, 5-42, 5-46, 5-50, 5-54	136709	1-17	136756	1-19	136819	1-21
136595	5-10, 5-12, 5-28, 5-42, 5-50, 5-54	136710	1-19	136757	1-19	136820	1-21
136596	5-10, 5-12, 5-28, 5-42, 5-50, 5-54	136711	1-19	136758	1-23	136821	1-21
136597	5-16, 5-22, 5-30, 5-38, 5-44, 5-52, 5-54	136712	1-19	136759	1-23	136822	1-21
136598	5-16, 5-22, 5-30, 5-34, 5-38, 5-44, 5-52, 5-54	136713	1-19	136760	1-23	136825	1-27
		136714	1-19	136761	1-23	136826	1-27
		136715	1-19	136762	1-26	136827	1-27
		136716	1-19	136763	1-26	136828	1-27
		136717	1-19	136764	1-26	136829	1-27
		136718	1-19	136765	1-26	136830	1-27
		136719	1-23	136766	1-26	136831	1-27
		136720	1-23	136767	1-26	136832	1-27
		136721	1-23	136768	1-26	136833	1-32
		136722	1-23	136769	1-28	136834	1-32
		136723	1-23	136770	1-28	136835	1-32
		136724	1-23	136771	1-28	136836	1-32
		136725	1-26	136772	1-28	136837	1-32
		136726	1-26	136773	1-16	136838	1-32
		136727	1-26	136774	1-16	136839	1-32
		136728	1-26	136775	1-16	136840	1-32
		136729	1-26	136776	1-16	136841	1-30
		136730	1-26	136777	1-16	136842	1-30
		136731	1-26	136778	1-16	136843	1-30
		136732	1-26	136779	1-16	136844	1-30
		136733	1-26	136780	1-16	136845	1-30
		136734	1-28	136781	1-16	136846	1-30
		136735	1-28	136782	1-16	136847	1-30
				136783	1-16	136848	1-30
				136784	1-18	136849	1-16
				136785	1-18	136850	1-16
				136786	1-18	136851	1-16
				136787	1-18	136852	1-16
				136788	1-18	136853	1-16
				136789	1-18	136854	1-16
				136792	1-18	136855	1-18
				136793	1-20	136856	1-18
				136794	1-20	136857	1-18
				136795	1-20	136858	1-18

Part number index

Part number	Page	Part number	Page	Part number	Page	Part number	Page
136859	1-18	136931	2-31	136989	1-16	421282	6-40
136860	1-18	136932	2-31	136990	1-18	421287	6-42
136861	1-20	136933	2-31	136991	1-20	421396	6-28
136862	1-20	136934	2-31	136992	1-24	421399	6-32
136863	1-20	136935	2-31	136993	1-27	421403	6-42
136864	1-20	136936	2-31	136994	1-32	422001	6-31
136865	1-20	136937	2-31	136995	1-30	422003	6-31
136866	1-20	136938	2-31	136997	2-35	422005	6-31
136867	1-24	136939	2-35	136998	2-36	422007	6-31
136868	1-24	136940	2-35	137101	8-18	422009	6-31
136869	1-24	136941	2-35	137102	8-18	422011	6-31
136870	1-24	136942	2-35	137103	8-18	422013	6-31
136872	1-24	136943	2-35	137104	8-18	422015	6-31
136873	1-22	136944	2-35	137105	8-18	422017	6-31
136874	1-22	136945	2-35	137106	8-18	422019	6-31
136875	1-22	136946	2-35	137107	8-18	422021	6-31
136876	1-22	136947	2-36	137108	8-18	422030	6-40
136879	1-21	136948	2-36	137109	8-18	422031	6-40
136880	1-21	136949	2-36	137110	8-18	422123	6-31
136881	1-21	136950	2-36	137111	8-18	422124	6-31
136882	1-21	136951	2-36	139292	5-34	422134	6-31
136885	1-27	136952	2-36	163256	5-42	422137	6-31
136886	1-27	136953	2-36	389820	8-25	422595	7-29
136887	1-27	136954	2-36	389821	8-25	422596	7-29
136888	1-27	136955	2-28	389822	8-25	422597	7-29
136889	1-27	136956	2-28	389823	8-25	422599	7-29
136890	1-27	136957	2-28	389824	8-25	422600	7-29
136891	1-32	136958	2-28	389825	8-25	422601	7-29
136892	1-32	136959	2-28	389826	8-25	422602	7-29
136893	1-32	136960	2-28	389827	8-25	422603	7-29
136894	1-32	136961	2-32	389828	8-25	422978	6-31
136895	1-32	136962	2-32	389829	8-25	422979	6-31
136896	1-32	136963	2-32	389830	8-25	422996	6-28
136897	1-30	136964	2-32	389831	8-25	423100	6-36
136898	1-30	136965	2-32	389832	8-25	423102	6-36
136899	1-30	136966	2-31	389833	8-25	423104	6-36
136900	1-30	136967	2-31	389834	8-25	423106	6-36
136901	1-30	136968	2-31	389835	8-25	423108	6-36
136902	1-30	136969	2-31	389836	8-25	423110	6-36
136912	2-28	136970	2-31	389837	8-25	423124	6-34
136913	2-28	136971	2-31	389923	4-81	423125	6-34
136914	2-28	136972	2-31	389924	4-81	423126	6-34
136915	2-28	136973	2-31	421260	6-28	423127	6-34
136916	2-28	136974	2-35	421261	6-28	423128	6-34
136917	2-28	136975	2-35	421262	6-28	423129	6-34
136918	2-28	136976	2-35	421263	6-28	423130	6-34
136919	2-28	136977	2-35	421264	6-28	423131	6-34
136920	2-32	136978	2-35	421265	6-28	423132	6-34
136921	2-32	136979	2-35	421266	6-28	423143	6-34
136922	2-32	136980	2-36	421267	6-28	423144	6-34
136923	2-32	136981	2-36	421268	6-28	423145	6-34
136924	2-32	136982	2-36	421269	6-28	423372	6-36
136925	2-32	136983	2-36	421270	6-28	423373	6-36
136926	2-32	136984	2-36	421271	6-28	423374	6-36
136927	2-31	136985	2-36	421272	6-28	423375	6-36
136928	2-31	136986	1-15	421273	6-28	423376	6-36
136929	2-31	136987	1-19	421274	6-28	430020	4-86, 5-59
136930	2-31	136988	1-26	421275	6-28	430153	8-29

Part number index

Part number	Page	Part number	Page	Part number	Page	Part number	Page
430155	8-13, 8-15, 8-17, 8-30	435008	8-24	496431	6-36	496493	6-31
430198	8-13, 8-30	435009	8-24	496432	6-36	496494	6-31
430561	8-15	435010	8-24	496433	6-36	496495	6-31
430831	8-15	435011	8-24	496434	6-36	496496	6-31
431389	8-15	435012	8-24, 8-25	496435	6-36	496497	6-31
431399	8-15	435013	8-24, 8-25	496436	6-36	496498	6-31
432153	8-13, 8-30	435014	8-24	496437	6-36	701659	6-32
432165	8-21	435015	8-24, 8-25	496438	6-36	702830	6-32
432181	8-13, 8-18, 8-23	435016	8-24, 8-25	496439	6-36	702844	6-32
432184	8-13, 8-18, 8-23	435017	8-24	496440	6-36	702857	6-32
432187	8-13, 8-18, 8-23	435018	8-24, 8-25	496442	6-36	702867	6-32
432190	8-13, 8-18, 8-22	435019	8-24, 8-25	496443	6-36	702883	6-32
432193	8-13, 8-18, 8-22	435021	8-25	496444	6-36	702893	6-32
432196	8-13, 8-18, 8-22	435027	8-24	496446	6-30	702904	6-32
432276	8-21	435028	8-24	496447	6-30	702907	6-32
432277	8-21	435029	8-24	496448	6-30	703619	6-38
432278	8-21	435030	8-24	496449	6-30	703628	6-38
432279	8-21	435031	8-24	496450	6-30	703644	6-38
432448	8-21	435032	8-24	496451	6-30	703656	6-38
433326	8-29	435033	8-25	496452	6-30	703661	6-38
434706	8-31	435035	8-25	496453	6-30	703670	6-38
434707	8-31	435036	8-25	496454	6-30	703679	6-38
434708	8-31	435037	8-25	496455	6-30	703689	6-38
434709	8-31	435038	8-25	496456	6-30	703694	6-40
434710	8-31	435039	8-25	496457	6-30	703711	6-40
434711	8-31	435040	8-25	496458	6-30	703725	6-40
434712	8-31	492598	7-29	496459	6-30	703726	6-40
434713	8-31	496400	6-34	496460	6-30	703738	6-40
434714	8-31	496401	6-34	496461	6-30	703739	6-40
434715	8-31	496402	6-34	496462	6-30	703831	6-42
434716	8-31	496403	6-34	496464	6-30	703840	6-42
434719	8-11, 8-26	496404	6-34	496465	6-30	703850	6-42
434720	8-26	496405	6-34	496466	6-30	703866	6-42
434721	8-13, 8-18, 8-26	496406	6-34	496467	6-30	703873	6-42
434722	8-26	496407	6-34	496468	6-30	703890	6-42
434725	8-13, 8-18, 8-26, 8-30	496408	6-34	496469	6-30	703892	6-42
434726	8-26, 8-30	496409	6-34	496470	6-30	703903	6-42
434727	8-13, 8-15, 8-18, 8-26	496410	6-34	496471	6-30	703941	6-31
434728	8-26	496411	6-34	496472	6-30	703943	6-28
434729	8-15, 8-17, 8-18, 8-26	496412	6-36	496473	6-30	703951	6-31
434730	8-26	496413	6-36	496474	6-30	703967	6-28, 6-31
434735	8-18, 8-26	496414	6-36	496475	6-30	703971	6-31
434736	8-26	496415	6-36	496476	6-30	703976	6-28
434770	8-24	496416	6-36	496477	6-30	703982	6-31
434771	8-24, 8-25	496417	6-36	496478	6-30	703989	6-31
434772	8-24, 8-25	496418	6-36	496479	6-30	703990	6-28
434773	8-24, 8-25	496419	6-36	496480	6-30	703996	6-31
434774	8-24	496420	6-36	496482	6-31	707376	6-46
434775	8-24	496421	6-36	496483	6-31	707381	6-46
434797	8-25	496422	6-36	496484	6-31	707400	6-46
434835	8-26	496423	6-36	496485	6-31	707402	6-46
435001	8-24	496424	6-36	496486	6-31	707405	6-46
435002	8-24	496425	6-36	496487	6-31	707410	6-46
435003	8-24	496426	6-36	496488	6-31	707415	6-46
435004	8-24	496427	6-36	496489	6-31	707419	6-46
435005	8-24	496428	6-36	496490	6-31	707422	6-46
435006	8-24	496429	6-36	496491	6-31	707428	6-46
435007	8-24	496430	6-36	496492	6-31	707431	6-46

Part number index

Part number	Page	Part number	Page	Part number	Page	Part number	Page
707434	6-46	719432	6-40	738154	6-27	744985	6-9
707439	6-46	719434	6-40	738155	6-27	744986	6-9
707453	6-46	719437	6-40	738157	6-27, 6-38	744987	6-9
708959	6-27, 6-31, 6-34, 6-36	719441	6-40	738158	6-27, 6-38	744988	6-9
708966	6-27, 6-31, 6-34, 6-36, 6-38	719443	6-40	738160	6-27, 6-38	744989	6-9
708970	6-27, 6-31, 6-34, 6-36, 6-38	719445	6-40	738162	6-27, 6-38	744990	6-9
708976	6-27, 6-31, 6-34, 6-36, 6-38	719446	6-40	738163	6-38	744991	6-9
708983	6-27, 6-31, 6-34, 6-36, 6-38	719448	6-40	738164	6-27	747025	6-27, 6-30
708989	6-38	719480	6-42	738165	6-38	747026	6-27, 6-30, 6-34, 6-36
709137	6-27, 6-31	719485	6-42	738166	6-27	747027	6-27, 6-30, 6-34, 6-36
709140	6-27, 6-31, 6-34, 6-36	719489	6-42	738167	6-38	747028	6-27, 6-30, 6-34, 6-36
709143	6-27, 6-31, 6-34, 6-36	719491	6-42	738168	6-27	747029	6-27, 6-30, 6-34, 6-36
709146	6-27, 6-31, 6-34, 6-36	719492	6-42	738169	6-38	747030	6-27, 6-30, 6-34, 6-36
709152	6-27, 6-31, 6-34, 6-36	719499	6-31, 6-32	738170	6-27	747031	6-27, 6-30, 6-34, 6-36
709162	6-27, 6-31, 6-34, 6-36	725341	6-27	739024	6-45	747032	6-27, 6-30, 6-34
709166	6-27, 6-31, 6-34, 6-36	725342	6-27, 6-38	739025	6-45	747033	6-27, 6-30, 6-34, 6-36
712225	6-28, 6-32	725343	6-27, 6-38	739027	6-45	747034	6-27, 6-30, 6-34, 6-36
713571	6-27	725344	6-27, 6-38	739028	6-45	747035	6-27, 6-30, 6-34, 6-36
713579	6-27	725345	6-27, 6-38	739029	6-45	747036	6-27, 6-30, 6-34, 6-36
713586	6-27	725346	6-38	739030	6-45	747037	6-27, 6-30, 6-34, 6-36
713588	6-27	725357	6-27	739145	6-32	747038	6-27, 6-30
713596	6-27, 6-38	725358	6-27	739150	6-32	747039	6-27, 6-30
713600	6-27	725359	6-27	739153	6-32	747040	6-27, 6-30
713603	6-27, 6-38	725360	6-27	739154	6-32	747041	6-27, 6-30
713613	6-27, 6-38	725361	6-27	739329	6-31	747042	6-38
713616	6-27	725363	6-27	740381	6-27, 6-31	747043	6-38
713622	6-27, 6-38	725364	6-27	740382	6-27, 6-31	747044	6-38
713633	6-27	725366	6-27	740383	6-27, 6-31, 6-38	747045	6-38
713634	6-27, 6-38	726921	6-45	740384	6-27, 6-31, 6-38	747046	6-38
713641	6-27, 6-38	726922	6-45	740452	6-28, 6-32, 6-34, 6-36	747047	6-38
713647	6-27, 6-38	726926	6-45	740453	6-28, 6-32, 6-34, 6-36	747048	6-38
719372	6-32	726927	6-45	740623	6-28	747049	6-38
719373	6-32	726929	6-45	741031	6-28	747105	6-28, 6-31, 6-32
719374	6-32	726929	6-45	741550	6-28	747107	6-34, 6-36
719375	6-32	726930	6-45	744856	6-46	747108	6-28, 6-31, 6-32
719376	6-32	726933	6-45	744857	6-46	747110	6-34, 6-36
719378	6-32	726936	6-45	744858	6-46	747111	6-28, 6-31, 6-32
719379	6-32	726937	6-45	744859	6-46	747114	6-34, 6-36
719380	6-32	726941	6-45	744860	6-46	747115	6-28, 6-31, 6-32
719381	6-32	726943	6-45	744861	6-46	747117	6-34, 6-36
719382	6-32	726944	6-45	744862	6-46	747118	6-28, 6-31, 6-32
719383	6-32	726947	6-45	744863	6-46	747120	6-34, 6-36
719385	6-32	726948	6-45	744864	6-46	747121	6-28, 6-31, 6-32
719397	6-36	726953	6-45	744865	6-46	747122	6-34, 6-36
719400	6-32	726954	6-45	744866	6-46	747123	6-28, 6-31, 6-32
719406	6-32	726957	6-45	744867	6-46	747124	6-34
719408	6-32	726959	6-45	744868	6-46	747125	6-28, 6-31, 6-32
719419	6-38	726960	6-45	744869	6-46	747126	6-34, 6-36
719420	6-38	726962	6-45	744975	6-9	747128	6-28, 6-31, 6-32
719421	6-38	726964	6-45	744976	6-9	747129	6-34, 6-36
719422	6-38	726966	6-45	744977	6-9	747130	6-28, 6-31, 6-32
719423	6-38	734772	8-25	744978	6-9	747131	6-34, 6-36, 6-38
719425	6-38	738145	6-27	744979	6-9	747132	6-28, 6-31, 6-32
719429	6-38	738146	6-27	744980	6-9	747135	6-34, 6-36
		738147	6-27	744981	6-9	747136	6-38
		738148	6-27	744982	6-9	747137	6-28, 6-31, 6-32
		738149	6-27	744983	6-9	747138	6-38
		738151	6-27	744984	6-9	747139	6-34, 6-36
		738152	6-27				

Part number index

Part number	Page	Part number	Page	Part number	Page	Part number	Page
747141	6-28, 6-31	747212	6-23	747386	6-31	747985	6-9
747142	6-38	747213	6-23	747387	6-31	747988	6-9
747143	6-28, 6-31	747214	6-23	747388	6-31	747989	6-9
747145	6-38	747215	6-23	747389	6-31	747992	6-9
747146	6-28, 6-31	747216	6-23	747390	6-31	747993	6-9
747148	6-38	747217	6-23	747391	6-31	747996	6-9
747149	6-28, 6-31	747218	6-23	747392	6-31	747997	6-9
747150	6-38, 6-42	747219	6-23	747393	6-31	748000	6-9
747151	6-38	747220	6-23	747394	6-31	748001	6-9
747152	6-28, 6-31	747221	6-23	747395	6-31	748004	6-9
747154	6-42	747222	6-23	747396	6-31	748005	6-9
747155	6-40	747223	6-23	747397	6-31	748008	6-9
747156	6-42	747224	6-23	747398	6-31	748009	6-9
747157	6-42	747225	6-23	747399	6-31	748012	6-9
747159	6-40	747226	6-23	747400	6-31	748013	6-9
747161	6-40	747227	6-23	747900	6-9	1029557	2-49
747162	6-42	747228	6-23	747901	6-9	B	
747164	6-42	747229	6-23	747904	6-9	B48371	8-21
747166	6-40	747230	6-23	747905	6-9	C	
747167	6-40	747231	6-23	747908	6-9	C11235	8-21
747168	6-42	747232	6-23	747909	6-9	C14203	8-21
747170	6-42	747233	6-23	747912	6-9		
747171	6-40	747234	6-23	747913	6-9		
747172	6-40	747235	6-23	747916	6-9		
747173	6-42	747236	6-23	747917	6-9		
747174	6-40	747237	6-23	747920	6-9		
747175	6-42	747238	6-23	747921	6-9		
747177	6-32	747239	6-23	747924	6-9		
747178	6-32	747240	6-23	747925	6-9		
747179	6-32	747241	6-23	747928	6-9		
747180	6-32	747242	6-23	747929	6-9		
747181	6-32	747243	6-23	747932	6-9		
747182	6-32	747244	6-23	747933	6-9		
747183	6-32	747245	6-23	747936	6-9		
747184	6-32	747246	6-23	747937	6-9		
747185	6-32	747247	6-23	747940	6-9		
747186	6-32	747248	6-23	747941	6-9		
747187	6-32	747249	6-23	747944	6-9		
747188	6-32	747250	6-23	747945	6-9		
747189	6-28, 6-32	747328	6-31	747948	6-9		
747190	6-28, 6-32	747329	6-31	747949	6-9		
747191	6-28, 6-32	747330	6-31	747952	6-9		
747192	6-28, 6-32	747331	6-31	747953	6-9		
747193	6-28, 6-32	747332	6-31	747956	6-9		
747194	6-28, 6-32	747333	6-31	747957	6-9		
747195	6-28, 6-32	747334	6-31	747960	6-9		
747199	6-23	747335	6-31	747961	6-9		
747201	6-23	747336	6-31	747964	6-9		
747202	6-23	747337	6-31	747965	6-9		
747203	6-23	747338	6-31	747968	6-9		
747204	6-23	747339	6-31	747969	6-9		
747205	6-23	747340	6-31	747972	6-9		
747206	6-23	747341	6-31	747973	6-9		
747207	6-23	747342	6-31	747976	6-9		
747208	6-23	747343	6-31	747977	6-9		
747209	6-23	747344	6-31	747980	6-9		
747210	6-23	747384	6-31	747981	6-9		
747211	6-23	747385	6-31	747984	6-9		

Contact us

You can find the address of your local sales organisation on the ABB homepage:

www.abb.com/mechanicalpowertransmission

Note: We reserve the right to make technical changes or modify the contents of this document without prior notice. With regard to purchase orders, the agreed particulars shall prevail. ABB Ltd does not accept any responsibility whatsoever for potential errors or possible lack of information in this document.

We reserve all rights in this document and in the subject matter and illustrations contained therein. Any reproduction, disclosure to third parties or utilization of its contents – in whole or in part – is forbidden without prior written consent of ABB Ltd.

Copyright © 2013 ABB. All rights reserved
Specifications subject to change without notice.