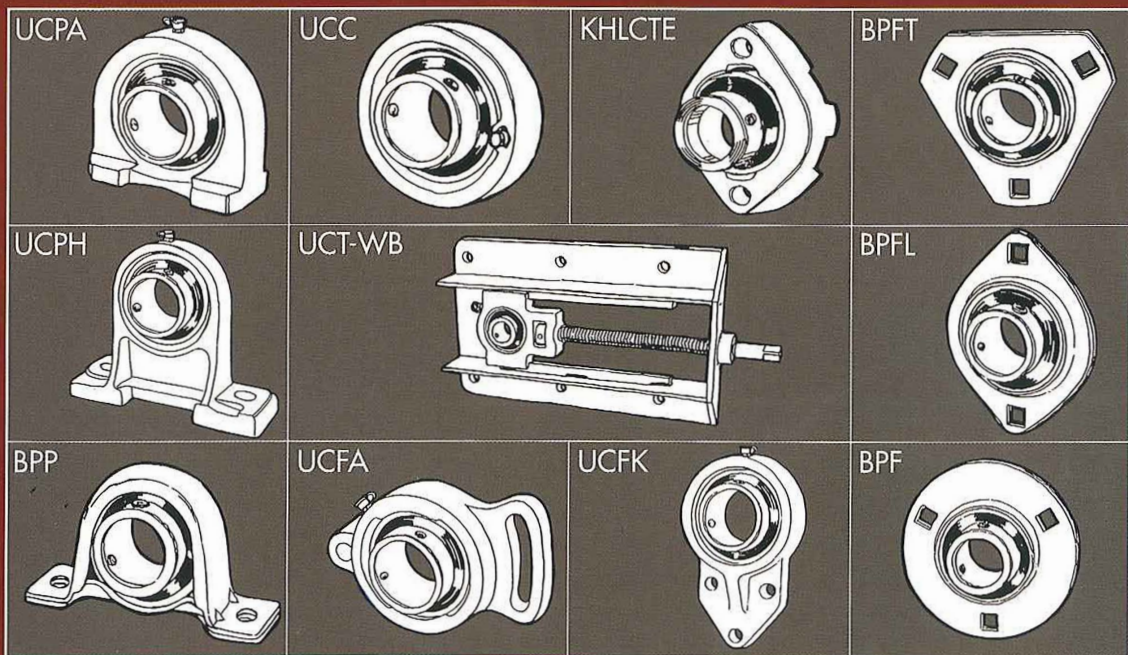


ASAHI

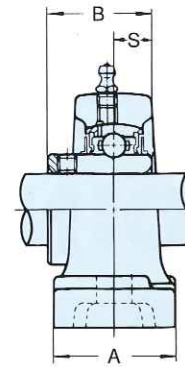
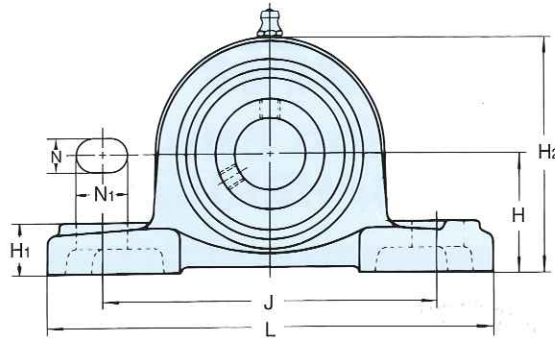


ASAHI SEIKO CO., LTD.

BEARING UNITS

PILLOW BLOCKS

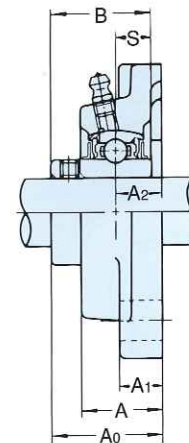
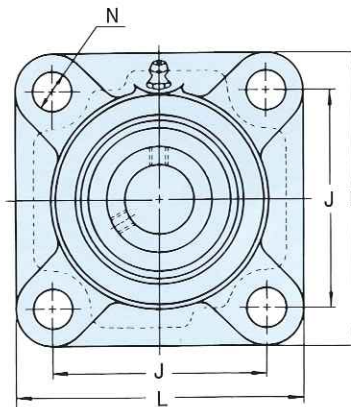
UCP 200 type



Shaft Diam. mm	Unit No.	Dimensions mm											Bolt Size mm	Bearing		Housing No.	Weight kg
		H	L	J	A	N	N ₁	H ₁	H ₂	B	S	No.		Basic Load Rating kN Cr Cor			
12	UCP 201	30.2	127	95	38	13	19	15	62	31	12.7	M10	UC 201	12.8	6.6	P 203	0.65
15	UCP 202	30.2	127	95	38	13	19	15	62	31	12.7	M10	UC 202	12.8	6.6	P 203	0.63
17	UCP 203	30.2	127	95	38	13	19	15	62	31	12.7	M10	UC 203	12.8	6.6	P 203	0.62
20	UCP 204	33.3	127	95	38	13	19	15	65	31	12.7	M10	UC 204	12.8	6.6	P 204	0.65
25	UCP 205	36.5	140	105	38	13	16	16	70	34.1	14.3	M10	UC 205	14	7.9	P 205	0.79
30	UCP 206	42.9	165	121	48	17	21	18	83	38.1	15.9	M14	UC 206	19.6	11.3	P 206	1.26
35	UCP 207	47.6	167	127	48	17	21	19	94	42.9	17.5	M14	UC 207	25.9	15.4	P 207	1.59
40	UCP 208	49.2	184	137	54	17	25	19	100	49.2	19	M14	UC 208	29.3	17.9	P 208	1.92
45	UCP 209	54	190	146	54	17	22	20	108	49.2	19	M14	UC 209	33	20.5	P 209	2.19
50	UCP 210	57.2	206	159	60	20	25	22	114	51.6	19	M16	UC 210	35.5	23.2	P 210	2.59
55	UCP 211	63.5	219	171	60	20	25	22	126	55.6	22.2	M16	UC 211	43	29.4	P 211	3.3
60	UCP 212	69.8	241	184	70	20	25	25	138	65.1	25.4	M16	UC 212	52.5	36.1	P 212	4.7
65	UCP 213	76.2	265	203	70	25	29	27	150	65.1	25.4	M20	UC 213	57.5	40	P 213	5.6
70	UCP 214	79.4	266	210	72	25	31	27	156	74.6	30.2	M20	UC 214	62	44	P 214	7.3
75	UCP 215	82.6	275	217	74	25	31	28	163	77.8	33.3	M20	UC 215	66	48.2	P 215	7.9
80	UCP 216	88.9	292	232	78	25	31	30	175	82.6	33.3	M20	UC 216	72.5	53	P 216	10.0
85	UCP 217	95.2	310	247	83	25	31	32	187	85.7	34.1	M20	UC 217	83.5	61.8	P 217	12.2
90	UCP 218	101.6	327	262	88	27	33	34	200	96	39.7	M22	UC 218	95.5	71.4	P 218	14.7

SQUARE FLANGE UNITS

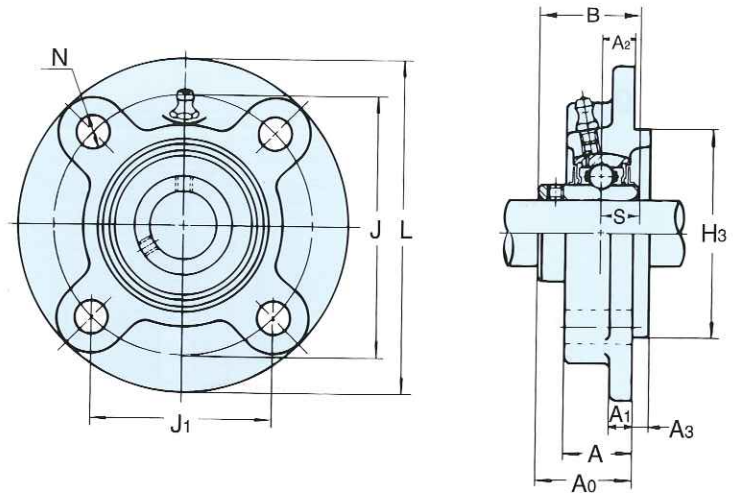
UCF 200 type



Shaft Diam. mm	Unit No.	Dimensions mm										Bolt Size mm	Bearing		Housing No.	Weight kg
		L	J	A ₂	A ₁	A	N	A ₀	B	S	No.		Basic Load Rating kN Cr Cor			
12	UCF 201	86	64	15	12	25.5	12	33.3	31	12.7	M10	UC 201	12.8	6.6	F 204	0.63
15	UCF 202	86	64	15	12	25.5	12	33.3	31	12.7	M10	UC 202	12.8	6.6	F 204	0.61
17	UCF 203	86	64	15	12	25.5	12	33.3	31	12.7	M10	UC 203	12.8	6.6	F 204	0.60
20	UCF 204	86	64	15	12	25.5	12	33.3	31	12.7	M10	UC 204	12.8	6.6	F 204	0.58
25	UCF 205	95	70	16	14	27	12	35.8	34.1	14.3	M10	UC 205	14	7.9	F 205	0.72
30	UCF 206	108	83	18	14	31	12	40.2	38.1	15.9	M10	UC 206	19.6	11.3	F 206	1.01
35	UCF 207	117	92	19	16	34	14	44.4	42.9	17.5	M12	UC 207	25.9	15.4	F 207	1.38
40	UCF 208	130	102	21	16	36	16	51.2	49.2	19	M14	UC 208	29.3	17.9	F 208	1.77
45	UCF 209	137	105	22	18	38	16	52.2	49.2	19	M14	UC 209	33	20.5	F 209	2.07
50	UCF 210	143	111	22	18	40	16	54.6	51.6	19	M14	UC 210	35.5	23.2	F 210	2.36
55	UCF 211	162	130	25	20	43	19	58.4	55.6	22.2	M16	UC 211	43	29.4	F 211	3.4
60	UCF 212	175	143	29	20	48	19	68.7	65.1	25.4	M16	UC 212	52.5	36.1	F 212	4.02
65	UCF 213	187	149	30	20	50	19	69.7	65.1	25.4	M16	UC 213	57.5	40	F 213	4.98
70	UCF 214	193	152	31	24	54	19	75.4	74.6	30.2	M16	UC 214	62	44	F 214	5.56
75	UCF 215	200	159	34	24	56	19	78.5	77.8	33.3	M16	UC 215	66	48.2	F 215	6.22
80	UCF 216	208	165	34	24	58	23	83.3	82.6	33.3	M20	UC 216	72.5	53	F 216	7.48
85	UCF 217	220	175	36	26	63	23	87.6	85.7	34.1	M20	UC 217	83.5	61.8	F 217	8.77
90	UCF 218	235	187	40	26	68	23	96.3	96	39.7	M20	UC 218	95.5	71.4	F 218	10.74

FLANGE CARTRIDGE UNITS

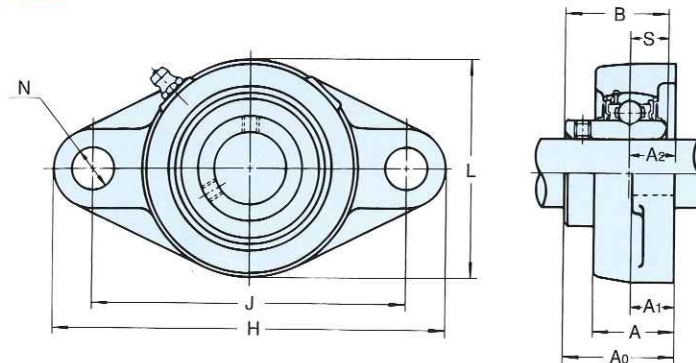
UCFC 200 type



Shaft Diam. mm	Unit No.	Dimensions mm												Bolt Size mm	Bearing		Housing No.	Weight kg	
		L	J	J ₁	A ₂	N	A ₃	A ₁	A	H ₃	A ₀	B	S		No.	Basic Load Rating kN Cr Cor			
12	UCFC 201	100	78	55.1	10	12	5	7	20.5	62	28.3	31	12.7	M10	UC 201	12.8	6.6	FC 204	0.89
15	UCFC 202	100	78	55.1	10	12	5	7	20.5	62	28.3	31	12.7	M10	UC 202	12.8	6.6	FC 204	0.87
17	UCFC 203	100	78	55.1	10	12	5	7	20.5	62	28.3	31	12.7	M10	UC 203	12.8	6.6	FC 204	0.86
20	UCFC 204	100	78	55.1	10	12	5	7	20.5	62	28.3	31	12.7	M10	UC 204	12.8	6.6	FC 204	0.84
25	UCFC 205	115	90	63.6	10	12	6	7	21	70	29.8	34.1	14.3	M10	UC 205	14	7.9	FC 205	0.97
30	UCFC 206	125	100	70.7	10	12	8	8	23	80	32.2	38.1	15.9	M10	UC 206	19.6	11.3	FC 206	1.18
35	UCFC 207	135	110	77.8	11	14	8	9	26	90	36.4	42.9	17.5	M12	UC 207	25.9	15.4	FC 207	1.55
40	UCFC 208	145	120	84.8	11	14	10	9	26	100	41.2	49.2	19	M12	UC 208	29.3	17.9	FC 208	1.85
45	UCFC 209	160	132	93.3	10	16	12	14	26	105	40.2	49.2	19	M14	UC 209	33	20.5	FC 209	2.42
50	UCFC 210	165	138	97.6	10	16	12	14	28	110	42.6	51.6	19	M14	UC 210	35.5	23.2	FC 210	2.71
55	UCFC 211	185	150	106.1	13	19	12	15	31	125	46.4	55.6	22.2	M16	UC 211	43	29.4	FC 211	3.9
60	UCFC 212	195	160	113.1	17	19	12	15	36	135	56.7	65.1	25.4	M16	UC 212	52.5	36.1	FC 212	4.55
65	UCFC 213	205	170	120.2	16	19	14	15	36	145	55.7	65.1	25.4	M16	UC 213	57.5	40	FC 213	5.11
70	UCFC 214	215	177	125.1	17	19	14	18	40	150	61.4	74.6	30.2	M16	UC 214	62	44	FC 214	6.4
75	UCFC 215	220	184	130.1	18	19	16	18	40	160	62.5	77.8	33.3	M16	UC 215	66	48.2	FC 215	6.92
80	UCFC 216	240	200	141.4	18	23	16	18	42	170	67.3	82.6	33.3	M20	UC 216	72.5	53	FC 216	8.6
85	UCFC 217	250	208	147.1	18	23	18	20	45	180	69.6	85.7	34.1	M20	UC 217	83.5	61.8	FC 217	9.83
90	UCFC 218	265	220	155.5	22	23	18	20	50	190	78.3	96	39.7	M20	UC 218	95.5	71.4	FC 218	12.24

TWO-BOLT FLANGE UNITS

UCFL 200 type

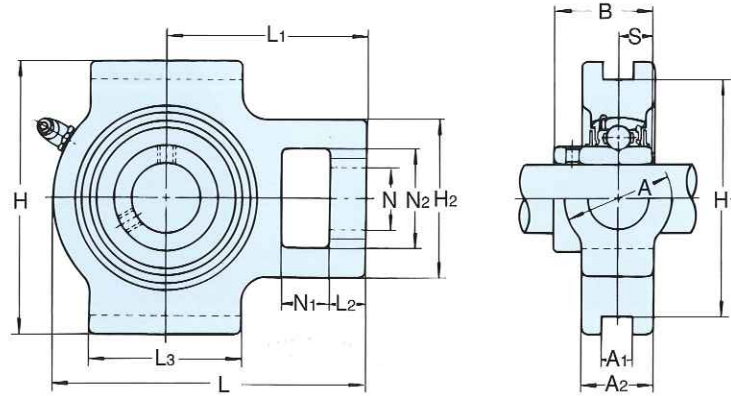


Shaft Diam. mm	Unit No.	Dimensions mm										Bolt Size mm	Bearing		Housing No.	Weight kg	
		H	J	A ₂	A ₁	A	N	L	A ₀	B	S		No.	Basic Load Rating kN Cr Cor			
12	UCFL 201	113	90	15	12	25.5	12	60	33.3	31	12.7	M10	UC 201	12.8	6.6	FL 204	0.47
15	UCFL 202	113	90	15	12	25.5	12	60	33.3	31	12.7	M10	UC 202	12.8	6.6	FL 204	0.45
17	UCFL 203	113	90	15	12	25.5	12	60	33.3	31	12.7	M10	UC 203	12.8	6.6	FL 204	0.44
20	UCFL 204	113	90	15	12	25.5	12	60	33.3	31	12.7	M10	UC 204	12.8	6.6	FL 204	0.42
25	UCFL 205	130	99	16	14	27	16	68	35.8	34.1	14.3	M14	UC 205	14	7.9	FL 205	0.59
30	UCFL 206	148	117	18	14	31	16	80	40.2	38.1	15.9	M14	UC 206	19.6	11.3	FL 206	0.9
35	UCFL 207	161	130	19	16	34	16	90	44.4	42.9	17.5	M14	UC 207	25.9	15.4	FL 207	1.2
40	UCFL 208	175	144	21	16	36	16	100	51.2	49.2	19	M14	UC 208	29.3	17.9	FL 208	1.51
45	UCFL 209	188	148	22	18	38	19	108	52.2	49.2	19	M16	UC 209	33	20.5	FL 209	1.9
50	UCFL 210	197	157	22	18	40	19	115	54.6	51.6	19	M16	UC 210	35.5	23.2	FL 210	2.2
55	UCFL 211	224	184	25	20	43	19	130	58.4	55.6	22.2	M16	UC 211	43	29.4	FL 211	3.2
60	UCFL 212	250	202	29	20	48	23	140	68.7	65.1	25.4	M20	UC 212	52.5	36.1	FL 212	4.1
65	UCFL 213	258	210	30	24	50	23	155	69.7	65.1	25.4	M20	UC 213	57.5	40	FL 213	5.1
70	UCFL 214	265	216	31	24	54	23	160	75.4	74.6	30.2	M20	UC 214	62	44	FL 214	6.0
75	UCFL 215	275	225	34	24	56	23	165	78.5	77.8	33.3	M20	UC 215	66	48.2	FL 215	6.5
80	UCFL 216	290	233	34	24	58	25	180	83.3	82.6	33.3	M22	UC 216	72.5	53	FL 216	8.0
85	UCFL 217	305	248	36	26	63	25	190	87.6	85.7	34.1	M22	UC 217	83.5	61.8	FL 217	9.5
90	UCFL 218	320	265	40	26	68	25	205	96.3	96	39.7	M22	UC 218	95.5	71.4	FL 218	11.9

BEARING UNITS

TAKE-UP UNITS

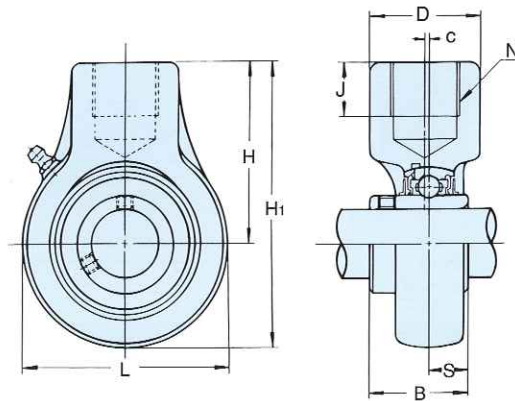
UCT 200 type



Shaft Diam. mm	Unit No.	Dimensions mm															Bearing		Housing No.	Weight kg	
		N ₁	L ₂	H ₂	N ₂	N	L ₃	A ₁	H ₁	H	L	A	A ₂	L ₁	B	S	No.	Basic Load Rating kN Cr Cor			
12	UCT 201	16	10	51	32	19	51	12	76	89	94	32	21	61	31	12.7	UC 201	12.8	6.6	T 204	0.79
15	UCT 202	16	10	51	32	19	51	12	76	89	94	32	21	61	31	12.7	UC 202	12.8	6.6	T 204	0.77
17	UCT 203	16	10	51	32	19	51	12	76	89	94	32	21	61	31	12.7	UC 203	12.8	6.6	T 204	0.76
20	UCT 204	16	10	51	32	19	51	12	76	89	94	32	21	61	31	12.7	UC 204	12.8	6.6	T 204	0.74
25	UCT 205	16	10	51	32	19	51	12	76	89	97	32	24	62	34.1	14.3	UC 205	14	7.9	T 205	0.82
30	UCT 206	16	10	56	37	22	57	12	89	102	113	37	28	70	38.1	15.9	UC 206	19.6	11.3	T 206	1.3
35	UCT 207	16	13	64	37	22	64	12	89	102	129	37	30	78	42.9	17.5	UC 207	25.9	15.4	T 207	1.6
40	UCT 208	19	16	83	49	29	83	16	102	114	144	49	33	88	49.2	19	UC 208	29.3	17.9	T 208	2.4
45	UCT 209	19	16	83	49	29	83	16	102	117	144	49	35	87	49.2	19	UC 209	33	20.5	T 209	2.4
50	UCT 210	19	16	83	49	29	86	16	102	117	149	49	37	90	51.6	19	UC 210	35.5	23.2	T 210	2.5
55	UCT 211	25	19	102	64	35	95	22	130	146	171	64	38	106	55.6	22.2	UC 211	43	29.4	T 211	4
60	UCT 212	32	19	102	64	35	102	22	130	146	194	64	42	119	65.1	25.4	UC 212	52.5	36.1	T 212	5.1
65	UCT 213	32	21	111	70	41	121	26	151	167	224	70	44	137	65.1	25.4	UC 213	57.5	40	T 213	7
70	UCT 214	32	21	111	70	41	121	26	151	167	224	70	46	137	74.6	30.2	UC 214	62	44	T 214	7.1
75	UCT 215	32	21	111	70	41	121	26	151	167	232	70	48	140	77.8	33.3	UC 215	66	48.2	T 215	7.5
80	UCT 216	32	21	111	70	41	121	26	165	184	235	70	51	140	82.6	33.3	UC 216	72.5	53	T 216	8.5
85	UCT 217	38	29	124	73	48	157	30	173	198	260	73	54	162	85.7	34.1	UC 217	83.5	61.8	T 217	11.2

HANGER UNITS

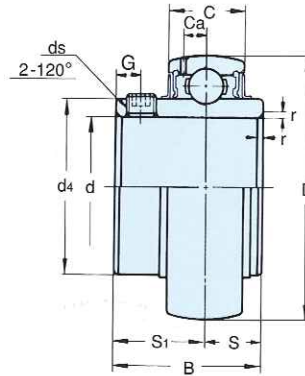
UCECH 200 type



Shaft Diam. mm	Unit No.	Dimensions mm										Bearing		Housing No.	Weight kg
		L	H ₁	H	D	N	J	B	S	c	No.	Basic Load Rating kN Cr Cor			
12	UCECH 201	64	96	64	40	PF 3/4	19	31	12.7	0	UC 201	12.8	6.6	ECH 204	0.85
15	UCECH 202	64	96	64	40	PF 3/4	19	31	12.7	0	UC 202	12.8	6.6	ECH 204	0.83
17	UCECH 203	64	96	64	40	PF 3/4	19	31	12.7	0	UC 203	12.8	6.6	ECH 204	0.82
20	UCECH 204	64	96	64	40	PF 3/4	19	31	12.7	0	UC 204	12.8	6.6	ECH 204	0.8
25	UCECH 205	70	99	64	40	PF 3/4	19	34.1	14.3	0	UC 205	14	7.9	ECH 205	0.74
30	UCECH 206	80	104	64	40	PF 3/4	19	38.1	15.9	0	UC 206	19.6	11.3	ECH 206	0.91
35	UCECH 207	92	116	70	40	PF 3/4	19	42.9	17.5	0	UC 207	25.9	15.4	ECH 207	1.2
40	UCECH 208	96	121	73	40	PF 3/4	19	49.2	19	2	UC 208	29.3	17.9	ECH 208	1.4
45	UCECH 209	108	136	82	48	PF 1	21	49.2	19	4	UC 209	33	20.5	ECH 209	1.8
50	UCECH 210	114	140	83	48	PF 1	21	51.6	19	5	UC 210	35.5	23.2	ECH 210	1.9
55	UCECH 211	126	160	97	60	PF 1 1/4	28	55.6	22.2	6	UC 211	43	29.4	ECH 211	2.3
60	UCECH 212	142	173	102	60	PF 1 1/4	28	65.1	25.4	9	UC 212	52.5	36.1	ECH 212	4.2

BALL BEARING INSERTS

UC 200 type



《Metric series》

Bearing No.	Dimensions mm											Basic Load Rating kN		Weight kg
	d	D	B	C	r	S	S ₁	G	d _s	Ca	d ₄	Dynamic Cr	Static Cor	
UC 201	12	47	31	17	1	12.7	18.3	4.5	M 6×0.75	4.5	29	12.8	6.6	0.21
UC 202	15	47	31	17	1	12.7	18.3	4.5	M 6×0.75	4.5	29	12.8	6.6	0.19
UC 203	17	47	31	17	1	12.7	18.3	4.5	M 6×0.75	4.5	29	12.8	6.6	0.18
UC 204	20	47	31	17	1.5	12.7	18.3	4.5	M 6×0.75	4.5	29	12.8	6.6	0.16
UC 205	25	52	34.1	17	1.5	14.3	19.8	5	M 6×0.75	4.5	34	14	7.9	0.19
UC 206	30	62	38.1	19	1.5	15.9	22.2	5	M 6×0.75	5.1	40.5	19.6	11.3	0.31
UC 207	35	72	42.9	20	2	17.5	25.4	6	M 8×1	5.8	48	25.9	15.4	0.48
UC 208	40	80	49.2	21	2	19	30.2	8	M 8×1	6.2	53	29.3	17.9	0.62
UC 209	45	85	49.2	22	2	19	30.2	8	M 8×1	6.5	57.3	33	20.5	0.67
UC 210	50	90	51.6	23	2	19	32.6	9	M10×1.25	6.5	63	35.5	23.2	0.78
UC 211	55	100	55.6	24	2.5	22.2	33.4	9	M10×1.25	7.3	70	43	29.4	1.03
UC 212	60	110	65.1	26	2.5	25.4	39.7	10	M10×1.25	7.7	77	52.5	36.1	1.45
UC 213	65	120	65.1	27	2.5	25.4	39.7	10	M10×1.25	8.3	82.1	57.5	40	1.71
UC 214	70	125	74.6	29	2.5	30.2	44.4	12	M12×1.5	8.7	87	62	44	2.06
UC 215	75	130	77.8	30	2.5	33.3	44.5	14	M12×1.5	9.2	91.5	66	48.2	2.22
UC 216	80	140	82.6	32	3	33.3	49.3	14	M12×1.5	9.6	98.5	72.5	53	2.82
UC 217	85	150	85.7	34	3	34.1	51.6	14	M12×1.5	10.5	105	83.5	61.8	3.38
UC 218	90	160	96	36	3	39.7	56.3	15	M12×1.5	11.1	111.5	95.5	71.4	4.34

《Inch series》

Bearing No.	Dimensions inches											Basic Load Rating lb.		Weight lb.
	d	D	B	C	r	S	S ₁	G	d _s (UNF)	Ca	d ₄	Dynamic Cr	Static Cor	
UC 201- 8	1/2	1.8504	1.220	0.669	0.039	0.500	0.720	0.177	1/4-28	0.177	1.142	2890	1500	0.46
UC 202-10	5/8	1.8504	1.220	0.669	0.039	0.500	0.720	0.177	1/4-28	0.177	1.142	2890	1500	0.42
UC 203-11	11/16	1.8504	1.220	0.669	0.039	0.500	0.720	0.177	1/4-28	0.177	1.142	2890	1500	0.40
UC 204-12	3/4	1.8504	1.220	0.669	0.059	0.500	0.720	0.177	1/4-28	0.177	1.142	2890	1500	0.35
UC 205-14	7/8	2.0472	1.342	0.669	0.059	0.563	0.780	0.197	1/4-28	0.177	1.339	3150	1760	0.42
UC 205-16	1	2.0472	1.342	0.669	0.059	0.563	0.780	0.197	1/4-28	0.177	1.339	3150	1760	0.42
UC 206-18	1 1/8	2.4409	1.500	0.748	0.059	0.626	0.874	0.197	1/4-28	0.201	1.594	4410	2540	0.68
UC 206-19	1 1/16	2.4409	1.500	0.748	0.059	0.626	0.874	0.197	1/4-28	0.201	1.594	4410	2540	0.68
UC 207-20	1 1/4	2.8346	1.689	0.787	0.079	0.689	1.000	0.236	5/16-24	0.228	1.890	5820	3460	1.06
UC 207-21	1 1/16	2.8346	1.689	0.787	0.079	0.689	1.000	0.236	5/16-24	0.228	1.890	5820	3460	1.06
UC 207-22	1 3/8	2.8346	1.689	0.787	0.079	0.689	1.000	0.236	5/16-24	0.228	1.890	5820	3460	1.06
UC 207-23	1 7/16	2.8346	1.689	0.787	0.079	0.689	1.000	0.236	5/16-24	0.228	1.890	5820	3460	1.06
UC 208-24	1 1/2	3.1496	1.937	0.827	0.079	0.748	1.189	0.315	5/16-24	0.244	2.087	6590	4030	1.37
UC 209-26	1 5/8	3.3465	1.937	0.866	0.079	0.748	1.189	0.315	5/16-24	0.256	2.256	7390	4610	1.48
UC 209-27	1 11/16	3.3465	1.937	0.866	0.079	0.748	1.189	0.315	5/16-24	0.256	2.256	7390	4610	1.48
UC 209-28	1 3/4	3.3465	1.937	0.866	0.079	0.748	1.189	0.315	5/16-24	0.256	2.256	7390	4610	1.48
UC 210-30	1 7/8	3.5433	2.031	0.906	0.079	0.748	1.283	0.354	3/8-24	0.256	2.480	7940	5220	1.72
UC 210-31	1 15/16	3.5433	2.031	0.906	0.079	0.748	1.283	0.354	3/8-24	0.256	2.480	7940	5220	1.72
UC 211-32	2	3.9370	2.189	0.945	0.098	0.874	1.315	0.354	3/8-24	0.287	2.756	9700	6610	2.27
UC 211-35	2 1/16	3.9370	2.189	0.945	0.098	0.874	1.315	0.354	3/8-24	0.287	2.756	9700	6610	2.27
UC 212-36	2 1/4	4.3307	2.563	1.024	0.098	1.000	1.563	0.394	3/8-24	0.303	3.031	11800	8160	3.20
UC 212-38	2 3/8	4.3307	2.563	1.024	0.098	1.000	1.563	0.394	3/8-24	0.303	3.031	11800	8160	3.20
UC 212-39	2 7/16	4.3307	2.563	1.024	0.098	1.000	1.563	0.394	3/8-24	0.303	3.031	11800	8160	3.20
UC 213-40	2 1/2	4.7244	2.563	1.063	0.098	1.000	1.563	0.394	3/8-24	0.327	3.232	12900	9040	3.77
UC 214-44	2 3/4	4.9213	2.937	1.142	0.098	1.189	1.748	0.472	7/16-20	0.343	3.425	14000	9920	4.54
UC 215-48	3	5.1181	3.063	1.181	0.098	1.311	1.752	0.551	7/16-20	0.362	3.602	14900	10800	4.89
UC 216-50	3 1/8	5.5118	3.252	1.260	0.118	1.311	1.941	0.551	7/16-20	0.378	3.878	16300	11900	6.22
UC 217-52	3 1/4	5.9055	3.374	1.339	0.118	1.343	2.031	0.551	7/16-20	0.413	4.134	18700	13900	7.45
UC 218-56	3 1/2	6.2992	3.780	1.417	0.118	1.563	2.217	0.591	1/2-20	0.437	4.390	21500	16100	9.57

Female Rod End

JAF type

3-piece construction

Lubricatable

Materials ;

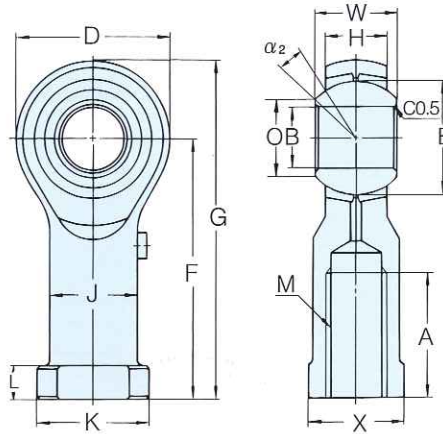
Housing - Carbon steel

Unichrome plated

Ball - High Carbon Chromium

Bearing Steel

Insert - Copper Alloy



No.	Dimensions mm													Misalign-ment degrees α_2	Minimum Static Fracture Radial Load kN	Maximum Static Load kN		Weight g	
	B	W	H	O	D	F	G	A	K	X	J	L	E			M	Radial		Axial
JAF 5	5	8	7	7.7	16	27	35	14	11	9	9	4	11.11	M 5×0.8	7	9.1	6.1	2.3	18
JAF 6	6	9	7	9	18	30	39	14	13	11	10	5	12.7	M 6×1	11	10.2	6.8	2.6	26
JAF 8	8	12	9	10.4	22	36	47	17	16	14	12.5	5	15.88	M 8×1.25	14	14.6	9.7	4.2	45
JAF 10	10	14	11	12.9	26	43	56	21	19	17	15	6.5	19.05	M10×1.5	12	19.7	13.1	6.2	76
JAF 12	12	16	12	15.4	30	50	65	24	22	19	17.5	6.5	22.23	M12×1.75	13	24.2	16.2	7.8	114
JAF 14	14	19	14	16.9	34	57	74	27	25	22	20	8	25.4	M14×2	14	30.7	20.5	10.5	158
JAF 15	15	20	14	18.1	36	61	79	30	26	22	21	8	26.99	M14×2	16	32.6	21.8	11.1	186
JAF 16	16	21	15	19.4	38	64	83	33	27	22	22	8	28.58	M16×2	15	36.3	23.6	12.6	200
JAF 17	17	22	16	20.6	40	67	87	34	31	27	24	10	30.16	M16×1.5	14	40.1	26.8	14.2	259
JAF 18	18	23	17	21.9	42	71	92	36	31	27	25	10	31.75	M18×1.5	14	44	29.3	15.9	288
JAF 20	20	25	18	24.4	46	77	100	40	34	30	27.5	10	34.93	M20×1.5	14	50.8	33.9	18.5	372
JAF 22	22	28	20	25.8	50	84	109	43	37	32	30	12	38.1	M22×1.5	15	59.8	39.9	22.4	475
JAF 25	25	31	22	29.6	56	94	122	48	42	36	33.5	12	42.86	M24×2	15	72.7	48.5	27.7	673
JAF 28	28	35	25	32.3	62	103	134	53	46	41	37.5	12	47.63	M27×2	15	88.9	59.3	35	910
JAF 30	30	37	26	34.8	67	110	143.5	56	50	41	40	15	50.8	M30×2	15	108	72.2	38.8	1050

Note : CETOP-standard threaded type is also available.

Male Rod End

JAM type

3-piece construction

Lubricatable

Materials ;

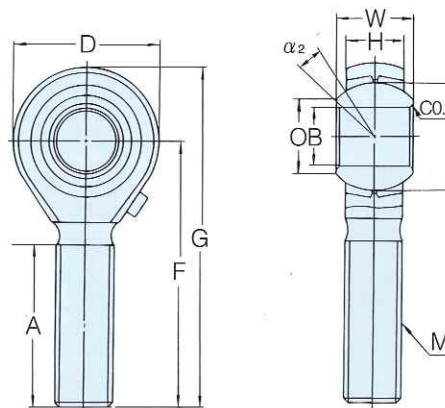
Housing - Carbon steel

Unichrome plated

Ball - High Carbon Chromium

Bearing Steel

Insert - Copper Alloy



No.	Dimensions mm										Misalign-ment degrees α_2	Minimum Static Fracture Radial Load kN	Maximum Static Load kN		Weight g
	B	W	H	O	D	F	G	A	E	M			Radial	Axial	
JAM 5	5	8	7	7.7	16	33	41	20	11.11	M 5×0.8	7	4.8	3.2	2.3	14
JAM 6	6	9	7	9	18	36	45	22	12.7	M 6×1	11	6.8	4.5	2.6	19
JAM 8	8	12	9	10.4	22	42	53	25	15.88	M 8×1.25	14	12.4	8.2	4.2	36
JAM 10	10	14	11	12.9	26	48	61	29	19.05	M10×1.5	12	19.7	13.1	6.2	60
JAM 12	12	16	12	15.4	30	54	69	33	22.23	M12×1.75	13	24.2	16.2	7.8	89
JAM 14	14	19	14	16.9	34	60	77	36	25.4	M14×2	14	30.7	20.5	10.5	129
JAM 15	15	20	14	18.1	36	63	81	38	26.99	M14×2	16	32.6	21.8	11.1	148
JAM 16	16	21	15	19.4	38	66	85	40	28.58	M16×2	15	36.3	24.2	12.6	181
JAM 17	17	22	16	20.6	40	69	89	42	30.16	M16×1.5	14	40.1	26.8	14.2	206
JAM 18	18	23	17	21.9	42	72	93	44	31.75	M18×1.5	14	44	29.3	15.9	250
JAM 20	20	25	18	24.4	46	78	101	47	34.93	M20×1.5	14	50.8	33.9	18.5	333
JAM 22	22	28	20	25.8	50	84	109	51	38.1	M22×1.5	15	59.8	39.9	22.4	430
JAM 25	25	31	22	29.6	56	94	122	57	42.86	M24×2	15	72.7	48.5	27.7	575
JAM 28	28	35	25	32.3	62	103	134	62	47.63	M27×2	15	88.9	59.3	35	795
JAM 30	30	37	26	34.8	67	110	143.5	66	50.8	M30×2	15	108	71.9	38.8	996

Note : For left-hand thread, add "L" to rod end number (Example : JAML 5).

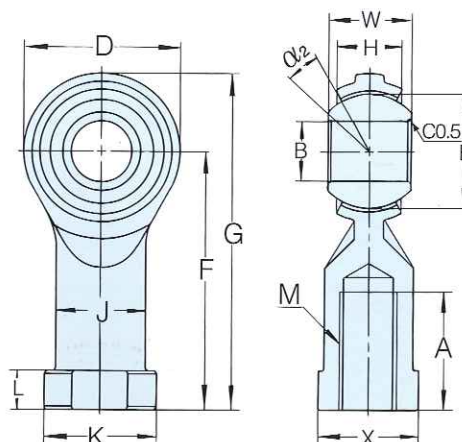
Female Rod End

FBF type

- Materials ;
 Housing - Carbon steel
 Unichrome plated
 Ball - High Carbon Chromium
 Bearing Steel
 Liner - PTFE resin

FDf type

- Materials ;
 Housing - **STAINLESS STEEL**
 (SUS 303)
 Ball - **STAINLESS STEEL**
 (SUS 440C)
 Liner - PTFE resin



No.	Dimensions mm														Misalignment degrees $\alpha/2$	Minimum Static Fracture Radial Load kN	Maximum Static Load kN		Weight g
	B	W	H	O	D	F	G	A	K	X	J	L	E	M			Radial	Axial	
FBF / FDF 5	5	8	7	7.7	16	27	35	12	11	9	9	4	11.11	M 5×0.8	7	8.6	5.8	2.3	10
FBF / FDF 6	6	9	7	9	18	30	39	13	13	11	10	5	12.7	M 6×1	11	9.8	6.4	2.4	20
FBF / FDF 8	8	12	9	10.4	22	36	47	16	16	14	12.5	5	15.88	M 8×1.25	14	11.8	7.8	2.9	37
FBF / FDF 10	10	14	11	12.9	26	43	56	19	19	17	15	6.5	19.05	M10×1.5	12	15.2	10.3	3.8	61
FBF / FDF 12	12	16	12	15.4	30	50	65	24	22	19	17.5	6.5	22.23	M12×1.75	13	19.1	12.7	4.9	89
FBF / FDF 14	14	19	14	16.9	34	57	74	27	25	22	20	8	25.4	M14×2	14	25	16.7	6.4	135
FBF / FDF 16	16	21	15	19.4	38	64	83	33	27	22	22	8	28.58	M16×2	15	30.9	20.6	7.8	171
FBF / FDF 18	18	23	17	21.9	42	71	92	36	31	27	25	10	31.75	M18×1.5	14	37.2	25	9.3	246
FBF / FDF 20	20	25	18	24.4	46	77	100	40	34	30	27.5	10	34.93	M20×1.5	14	44.1	29.5	10.8	314
FBF / FDF 22	22	28	20	25.8	50	84	109	43	37	32	30	12	38.1	M22×1.5	15	51.9	34.8	13.2	410

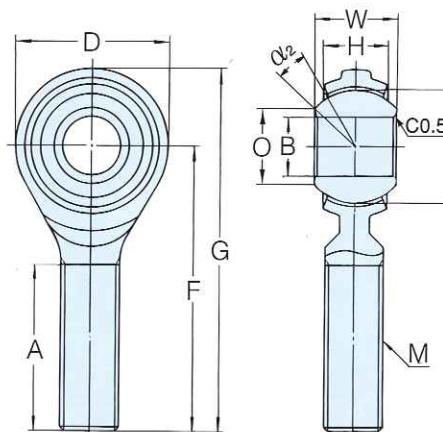
Male Rod End

FBM type

- Materials ;
 Housing - Carbon steel
 Unichrome plated
 Ball - High Carbon Chromium
 Bearing Steel
 Liner - PTFE resin

FDM type

- Materials ;
 Housing - **STAINLESS STEEL**
 (SUS 303)
 Ball - **STAINLESS STEEL**
 (SUS 440C)
 Liner - PTFE resin



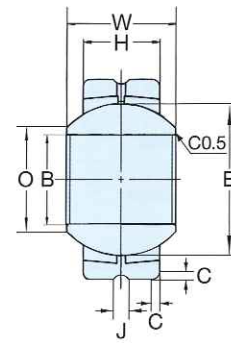
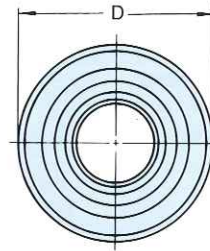
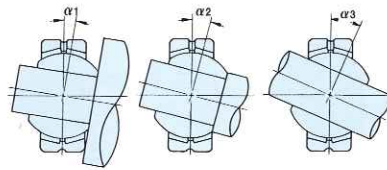
No.	Dimensions mm											Misalignment degrees $\alpha/2$	Minimum Static Fracture Radial Load kN	Maximum Static Load kN		Weight g
	B	W	H	O	D	F	G	A	E	M	Radial			Axial		
FBM / FDM 5	5	8	7	7.7	16	33	41	20	11.11	M 5×0.8	7	3.9	2.4	1	11	
FBM / FDM 6	6	9	7	9	18	36	45	22	12.7	M 6×1	11	5.9	3.9	1.5	15	
FBM / FDM 8	8	12	9	10.4	22	42	53	25	15.88	M 8×1.25	14	10.8	7.4	2.9	30	
FBM / FDM 10	10	14	11	12.9	26	48	61	29	19.05	M10×1.5	12	15.2	10.3	3.9	48	
FBM / FDM 12	12	16	12	15.4	30	54	69	33	22.23	M12×1.75	13	19.1	12.7	4.9	76	
FBM / FDM 14	14	19	14	16.9	34	60	77	36	25.4	M14×2	14	25	16.7	6.4	115	
FBM / FDM 16	16	21	15	19.4	38	66	85	40	28.58	M16×2	15	30.9	20.6	7.8	159	
FBM / FDM 18	18	23	17	21.9	42	72	93	44	31.75	M18×1.5	14	37.2	25	9.3	222	
FBM / FDM 20	20	25	18	24.4	46	78	101	47	34.93	M20×1.5	14	44.1	29.4	11.3	292	
FBM / FDM 22	22	28	20	25.8	50	84	109	51	38.1	M22×1.5	15	52	34.8	13.2	381	

Note : For left-hand thread, add "L" to rod end number (Example : **FBML 5**).
 For **FDF & FDM** types, please check availability.

Spherical Bearing

JAS type

3-piece construction
Lubricatable



No.	Dimensions mm								Misalignment degrees			Maximum Static Load kN		Weight g
	B	W	H	O	D	C	J	E	α_1	α_2	α_3	Radial	Axial	
JAS 5	5	8	7	7.7	16	0.5	1.5	11.112	3	7	24	9.11	2.25	8.5
JAS 6	6	9	7	9.0	18	0.5	1.5	12.700	6	11	28	10.5	2.65	13
JAS 8	8	12	9	10.4	22	0.5	1.5	15.875	8	14	25	16.9	4.21	24
JAS 10	10	14	11	12.9	26	0.5	1.5	19.050	7	12	23	24.6	6.17	39
JAS 12	12	16	12	15.4	30	1	2	22.225	8	13	24	31.4	7.84	58
JAS 14	14	19	14	16.9	34	1	2	25.400	9	14	23	41.8	10.5	84
JAS 15	15	20	14	18.1	36	1	2	26.99	10	16	24	44.4	11.1	98
JAS 16	16	21	15	19.4	38	1	2	28.575	9	15	24	50.4	12.6	111
JAS 17	17	22	16	20.6	40	1	2.5	30.16	9	14	23	56.7	14.2	135
JAS 18	18	23	17	21.9	42	1.5	2.5	31.750	9	14	23	63.5	15.9	160
JAS 20	20	25	18	24.4	46	1.5	2.5	34.925	9	14	24	73.9	18.5	210
JAS 22	22	28	20	25.8	50	1.5	2.5	38.100	10	15	23	89.6	22.4	265
JAS 25	25	31	22	29.6	56	1.5	3	42.863	10	15	23	111	27.7	390
JAS 28	28	35	25	32.3	62	1.5	3	47.625	10	15	22	140	35	410
JAS 30	30	37	26	34.8	66	2	3	50.800	10	15	23	155	38.8	610

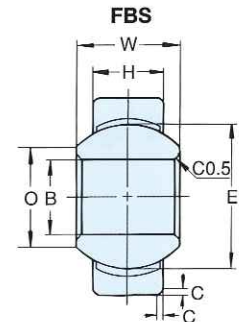
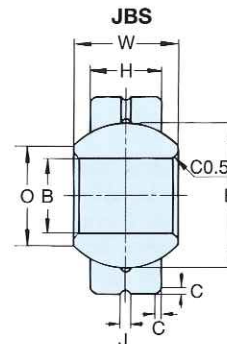
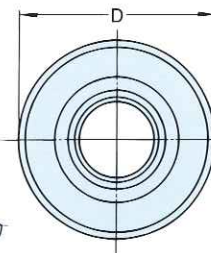
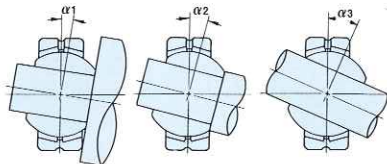
Spherical Bearing

JBS type

2-piece construction
Lubricatable

FBS type

PTFE Lined
Self-lubricated



No.	Dimensions mm								Misalignment degrees			Maximum Static Load kN		Weight g
	B	W	H	O	D	C	J	E	α_1	α_2	α_3	Radial	Axial	
JBS/FBS 5	5	8	5.6	7.7	16	0.5	1.5	11.11	9	15	32	24.4	6.1	8
JBS/FBS 6	6	9	6.4	9	18	0.5	1.5	12.7	9	14	31	31.8	7.9	11
JBS/FBS 8	8	12	7.9	10.4	22	0.5	1.5	15.88	11	19	29	49.2	12.3	21
JBS/FBS 10	10	14	9.5	12.9	26	0.5	1.5	19.05	10	17	28	71	17.7	35
JBS/FBS 12	12	16	11.1	15.4	30	1	2	22.23	10	16	27	96.7	24.2	53
JBS/FBS 14	14	19	12.5	16.9	34	1	2	25.4	11	18	26	126	31.6	77
JBS/FBS 15	15	20	13.5	18.1	36	1	2	26.99	11	17	26	143	37.6	91
JBS/FBS 16	16	21	14.3	19.4	38	1	2	28.58	11	17	25	160	40.1	107
JBS/FBS 17	17	22	15.1	20.6	40	1	2.5	30.16	10	16	25	179	44.7	125
JBS/FBS 18	18	23	15.9	21.9	42	1.5	2.5	31.75	11	16	25	198	49.5	150
JBS/FBS 20	20	25	17.5	24.4	46	1.5	2.5	34.93	16	15	25	240	59.9	187

Note : For FBS type, please check availability.

— Specifications are subject to change without prior notice —

ASAHI SEIKO CO., LTD.

FOREIGN TRADE DEPARTMENT : 570-1, Otori-Higashi-machi 6-cho, Nishi-ku, Sakai City, Osaka 593-8324, Japan

Tel : +81-72-272-6900 Fax : +81-72-272-6903

e-mail : info@asahiseiko.co.jp

U.S.A. OFFICE : 570 North Wheeling Road, Mount Prospect, Illinois 60056 U.S.A.

Tel : +1-847-759-0620 Fax : +1-847-759-0630

HEAD OFFICE & FACTORY : 570-1, Otori-Higashi-machi 6-cho, Nishi-ku, Sakai City, Osaka 593-8324, Japan

Tel : +81-72-271-1221 Fax : +81-72-273-0058